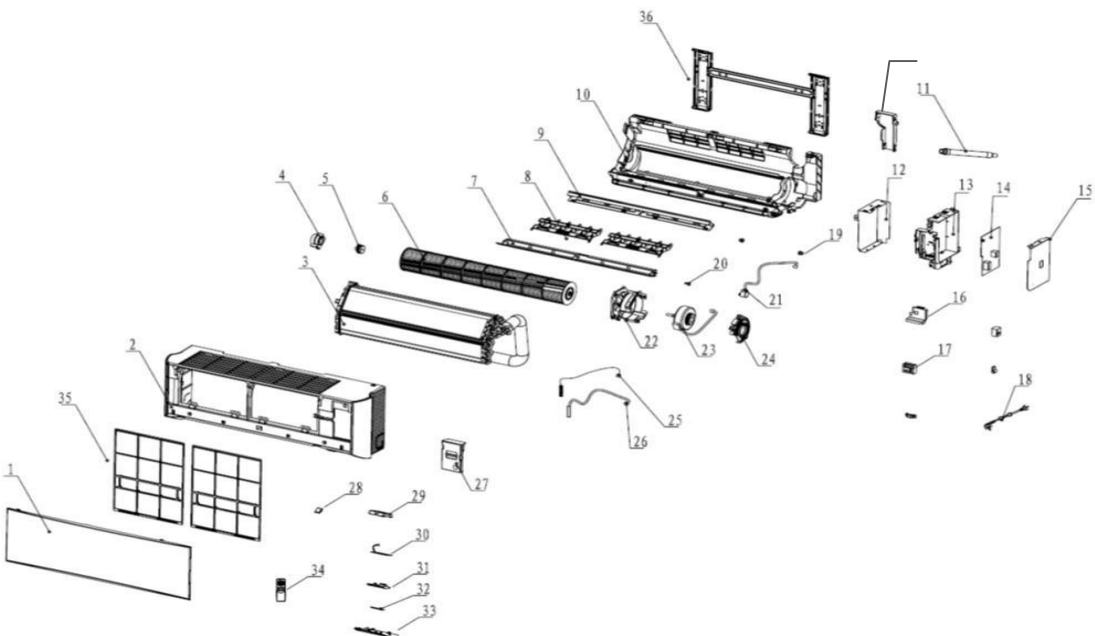


Distribuidor Autorizado

SurteRápido.com

Venta de Refacciones
Electrodomesticas

Minisplit Whirlpool WA6063Q00





Minisplit Whirlpool WA6063Q00

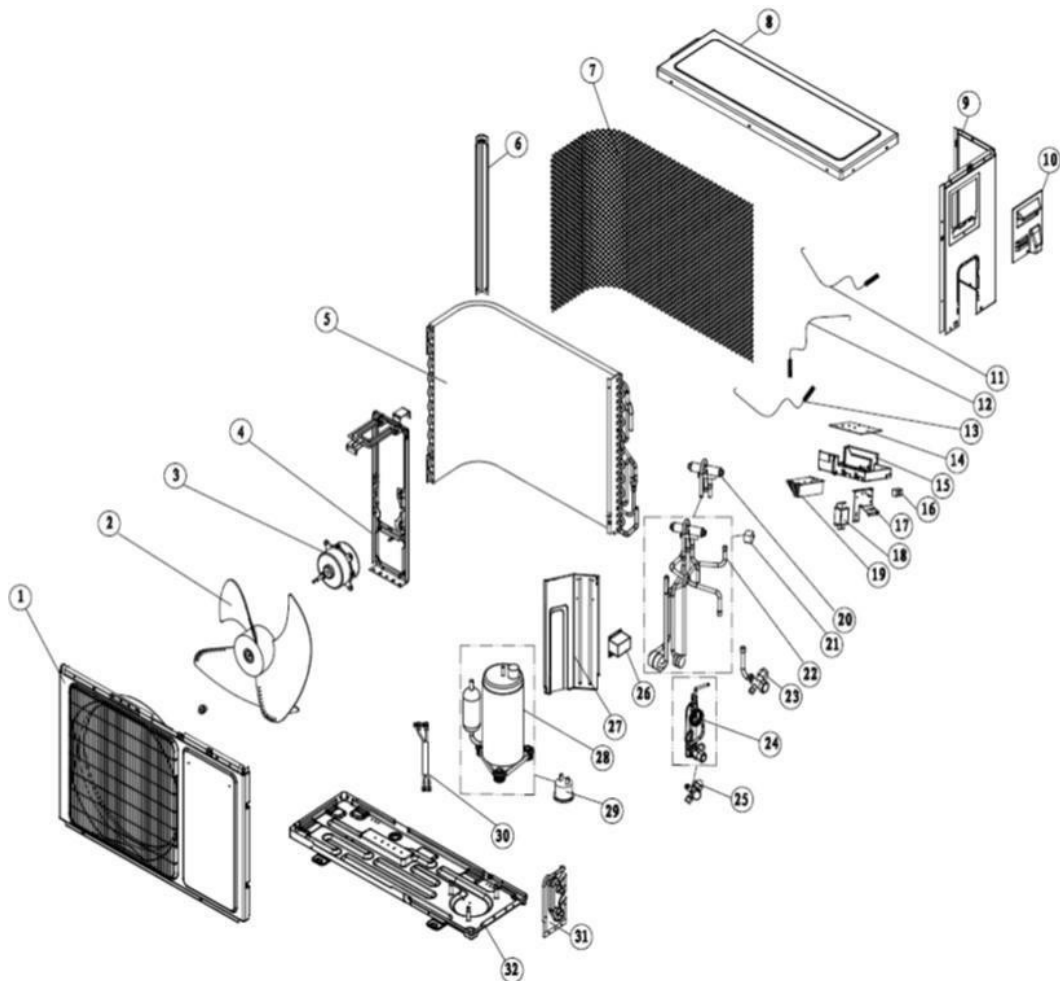
| No. Ilus. | DESCRIPCIÓN | No. de Parte |
|------------------|-----------------------------|---------------------|
| 1 | Front Panel | 1526573 |
| 2 | Shell Parts | 1504877 |
| 3 | Evaporator System | 1512275 |
| 4 | Baffle | 1465670 |
| 5 | Bearing | 1223739 |
| 6 | Cross-Flow Fan | 1466014 |
| 7 | Horizontal Louver | 1500178 |
| 8 | Vertical Level Vane | 1465662 |
| 9 | Air Duct Plate | 1465656 |
| 11 | Drain Hose Assy | 1470426 |
| 14 | Control Board Components | 1507804 |
| 19 | Bearing Seat | 1222824 |
| 20 | Shaft For The Step Motor | 1465593 |
| 21 | Step Motor | 1260259 |
| 23 | Fan Motor | 1505210 |
| 25 | Temperature Sensor | 1387643 |
| 26 | Temperature Sensor | 1471151 |
| 28 | Crew Cover | 1465596 |
| 30 | Display Board | 1464488 |
| 32 | Display Window | 1465765 |
| 34 | Remote Controller | 1525520 |
| 35 | Filter | 1505429 |
| 36 | Installation Template Parts | 1465589 |
| 37 | Fresh Filter | 1526874 |
| 38 | BAFLE (EN "L") | 1465666 |

Distribuidor Autorizado

SurteRápido.com

Venta de Refacciones
Electrodomesticas

Minisplit Whirlpool WA6063Q00





Minisplit Whirlpool WA6063Q00

| No. Ilus. | DESCRIPCIÓN | No. de Parte |
|------------------|--------------------------------------|---------------------|
| | Front Panel Parts | ***** |
| 1 | Front Panel | ***** |
| | Fan Grill(Metal) | ***** |
| 2 | Axial Fan | 1405123 |
| 3 | Fan Motor | 1415221 |
| 4 | Motor Bracket | ***** |
| 5 | Condenser Assy | 1506026 |
| 6 | Mounting Plate | ***** |
| 7 | Back Guard | ***** |
| 8 | Top Cover | ***** |
| 9 | Side Panel | ***** |
| 10 | Wiring Cover | ***** |
| 11 | Ambient Temperature Sensor | 1205018 |
| 12 | Coil Temperature Sensor | 1380309 |
| 13 | Discharge Temp Sensor For Compressor | 1380315 |
| 14 | Control Board Assy | ***** |
| | Control Board | 1510072 |
| 15 | Electrical Box | ***** |
| 16 | Terminal Dg17D4-05 | ***** |
| 17 | Connecting Plate | ***** |
| 18 | Filter Board | 1499176 |
| 19 | Radiator | 1412279 |
| 20 | 4-Way Valve | 1258654 |
| 21 | 4-Way Valve Coil | 1386084 |
| 22 | 4-Way Valve Assy | 1512667 |
| 23 | Three Way Valve | 1407169 |
| 24 | Capillary Assy | 1506085 |
| 25 | Two Way Valve | 1258653 |



Minisplit Whirlpool WA6063Q00

| No. Ilus. | DESCRIPCIÓN | No. de Parte |
|------------------|-----------------------|---------------------|
| 26 | PFC Reactor | 1343046 |
| 28 | Compressor | 1479368 |
| 29 | Overload Protector | 1205011 |
| 30 | Compressor Power Cord | ***** |
| 31 | Mounting Plate | ***** |
| 32 | Base Parts | ***** |