

Whirlpool

SERVICE

CENTRO DE SOLUCIONES



LO ORIGINAL MARCA DIFERENCIA

EXPLOSIONADO DE PARTES

- MINI SPLIT -

MODELO | WA6065D

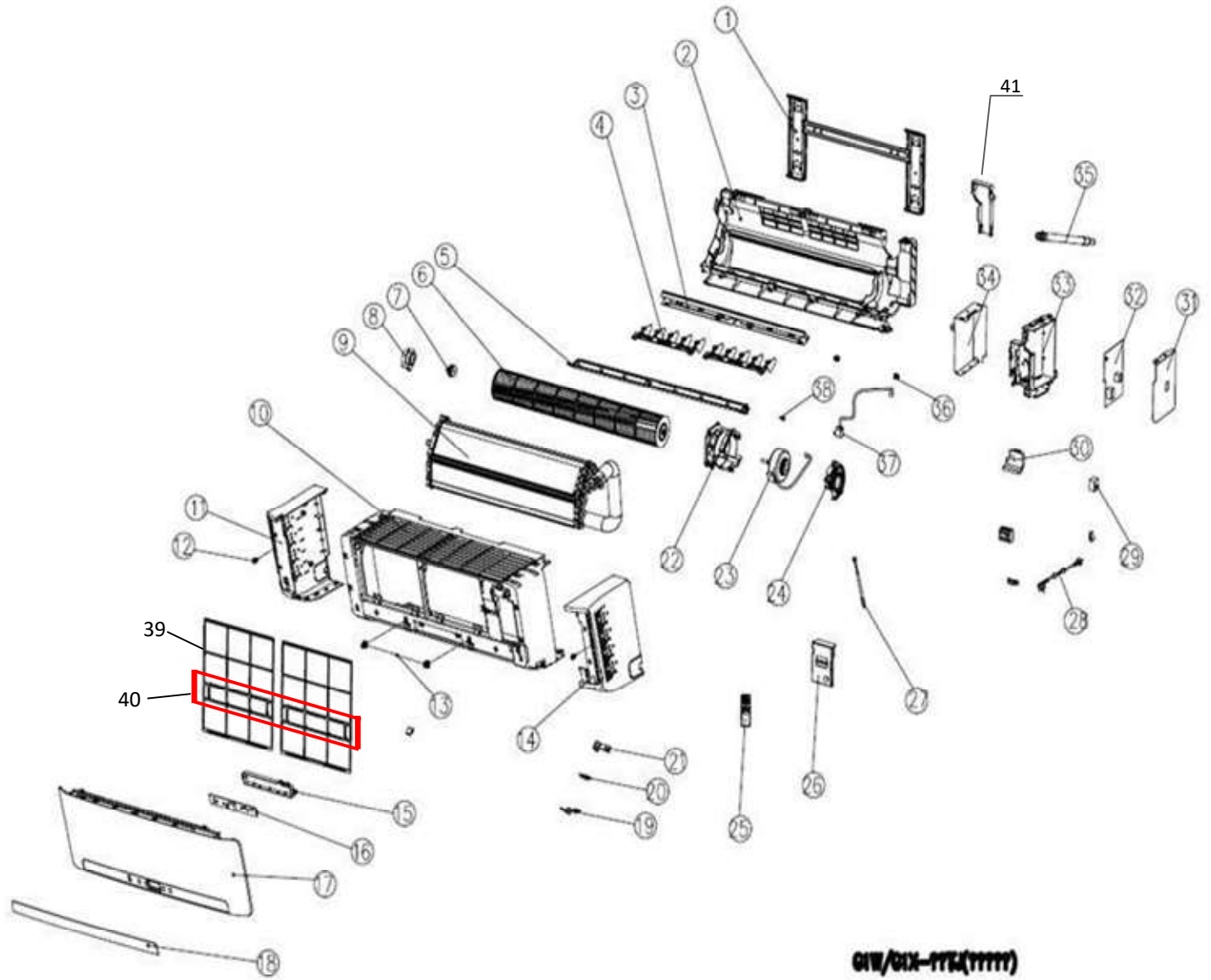
acros

Whirlpool
CORPORATION

MAYTAG

KitchenAid

MINISPLIT WA6065D



61W/61X-175(11111)

Distribuidor Autorizado

SurteRápido.com

Venta de Refacciones
Electrodomesticas

MINISPLIT WA6065D

SR	PART NO	DESCRIPTION	QTY
1	1465589	installation plate assy	1
2	1802220	base holder part	1
3	1465656	air duct plate	1
4	1465662	Vertical Level Vane	2
5	1833191	level vane	1
6	1466014	cross-flow fan blade	1
7	1223739	bearing	1
8	1465670	baffle	1
9	1512275	Refrigeration system	1
10	4013166	shell parts	1
11	1833179	ornamental part	1
12	1412758	Hooking	2
13	1502447	Hooking	2
14	1833180	ornamental part	1
15	1822030	display box	1
16	1823702	Dispaly Board	1
17	1833169	panel	1
18	1828706	display film pattern	1
19	1833182	button	1
20	1822031	mounting plate	1
21	1823705	keyboard	1
22	1465756	motor guard	1
23	1505210	AC motor	1
24	1465757	motor cover	1
25	4013549	Remote Controller	1
26	1465759	electric box cover	1
27a	1471151	Temperature sensor	1
27b	1387643	room Temperature sensor	1
28	1506198	power wire	1
29	1262152	Wire terminal board	1
30	1465763	electric box cover	1



MINISPLIT WA6065D

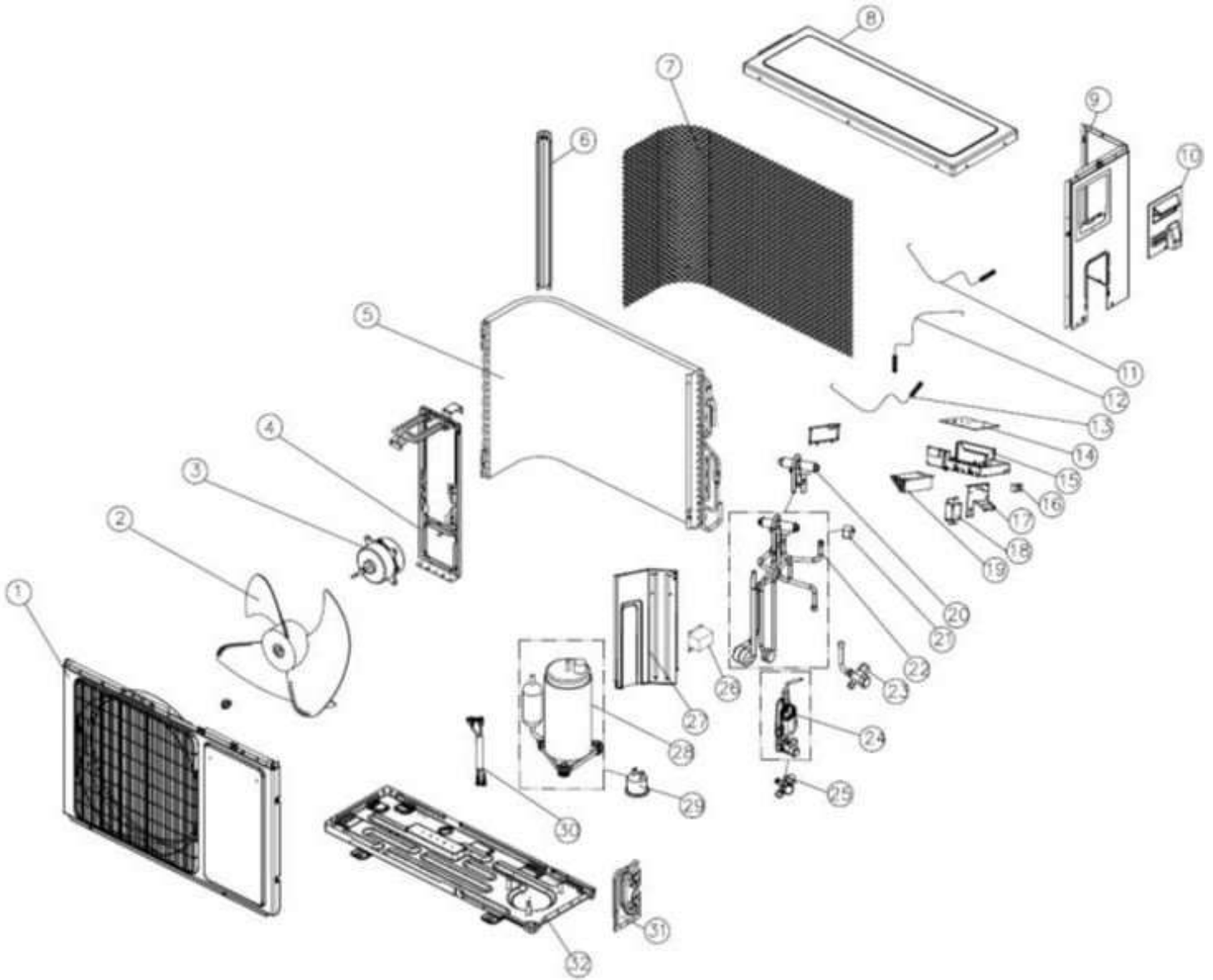
31	1465761	elec joint box plate	1
32	1825774	Indoor Main Control Board Comp	1
33	1465758	electric box	1
34	1465762	elec joint box plate	1
35	1470426	Water pipe parts	1
36	1222824	axis sheath	2
37	1260259	Step motor	1
38	1465593	axes	1
39	1506312	Filtro	1
40	1542897	Filtro de Carbon/Vitamina C	1
41	1465666	BAFLE (EN "L")	1

Distribuidor Autorizado

SurteRápido.com

Venta de Refacciones
Electrodomesticas

MINISPLIT WA6065D



MINISPLIT WA6065D

SR.	PART CODE	DESCRIPTION	Q'TY
1	1405623	panel parts	1
2	1405123	propeller fan	1
3	1820938	fan motor	1
4	1308210	motor bracket	1
5	1506026	condenser ASS'Y	1
6	1248091	mounting plate	1
7	1393359	back guard	1
8	1247912	upper board	1
9	1246331	side panel	1
10	1276574	wiring distribution cover assy	1
11	1205018	temperature sensor	1
12	1380309	Temperature Sensor	1
13	1380315	Temperature Sensor	1
14	1820945	Contorl Panel Component	1
15	1407678	elec joint box	1
16	1222462	terminal panel	1
17	1407674	connecting plate	1
18	1559230	filter board	1
19	1499288	radiator	1
20	1258654	4-way valve	1
21	1386084	Electromagnetic coil	1
22	1821172	4-way valve ASS'Y	1
23	1407169	stop valve	1
24	1821167	capillary ASS'Y	1
25	1258653	stop valve	1
26	1343046	PFC reactor	1
27	1407673	separate plate	1
28	1821191	compressor	1
29	1417658	overload protector	1
30	1201191	connecting wire	1
31	1248461	mounting plate	1
32	1406865	base parts	1