



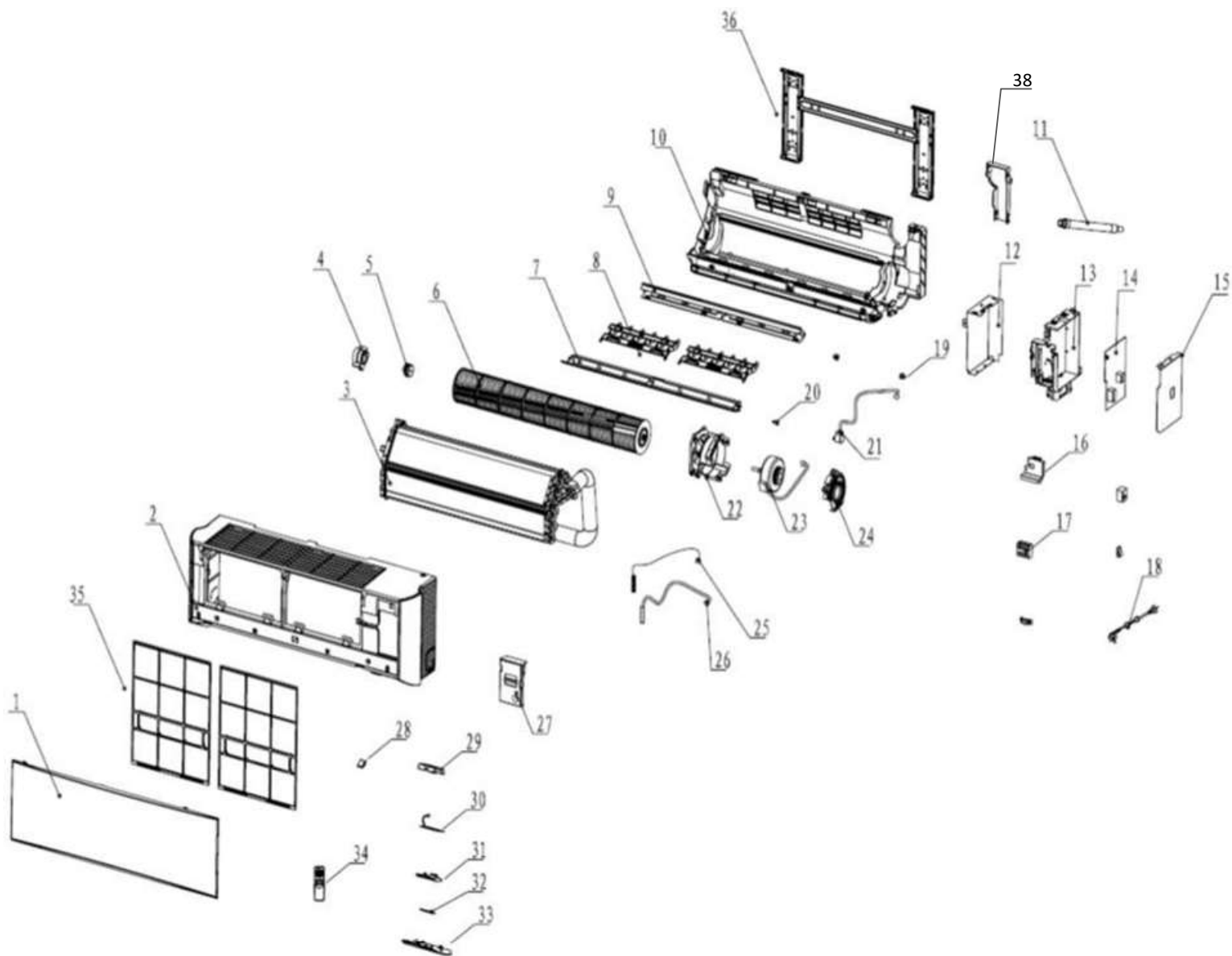
EXPLOSIONADO DE PARTES —MINISPLIT IMPORTADO—

MODELO | WA6073Q00



MINISPLIT WA6073Q00

Color: Blanco Capacidad: 1 Tonelada

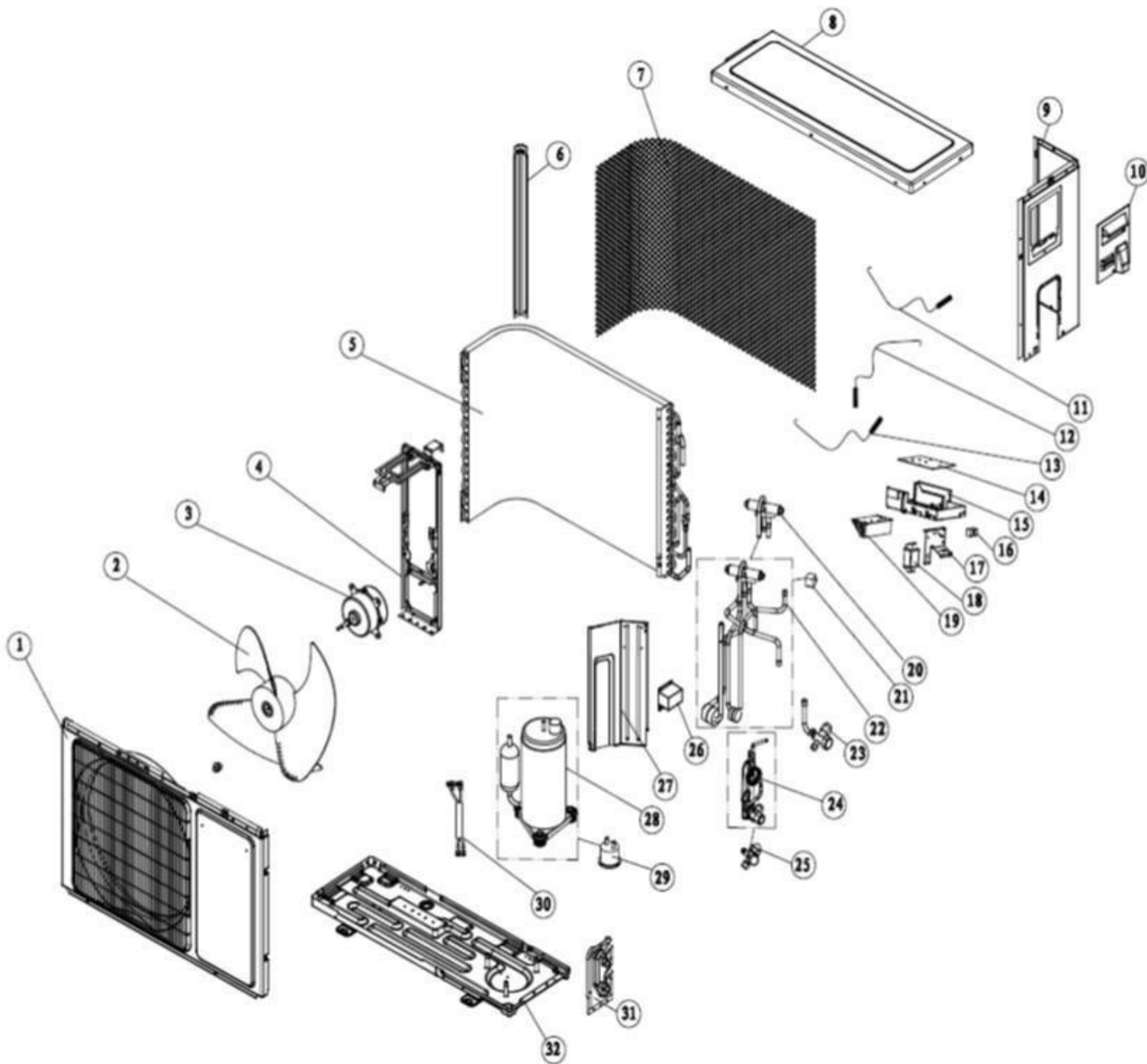


BENITO JUÁREZ #1500 GPE ZITON, CD. GUADALUPE NUEVO LEÓN TEL: 8183377999 Y 49
HORARIOS: LUNES A VIERNES 8:30 A 6:00 PM Y SÁBADOS DE 8:30 A 2:00 PM

www.denek.com

Color: Blanco Capacidad: 1 Tonelada

| No. Ilus. | DESCRIPCIÓN | Cant. | No. de Parte |
|-----------|---|-------|--------------|
| 1 | Front Panel (Silver) | 1 | 1526574 |
| 2 | Shell Parts (Silver) | 1 | 1530662 |
| 3 | Evaporator System | 1 | 1512275 |
| 4 | Baffle | 1 | 1465670 |
| 5 | Bearing | 1 | 1223739 |
| 6 | Cross-Flow Fan | 1 | 1466014 |
| 7 | Horizontal Louver (Silver) | 1 | 1530649 |
| 8 | Vertical Level Vane | 2 | 1465662 |
| 9 | Air Duct Plate | 1 | 1465656 |
| 10 | Base Parts | ** | ***** |
| 11 | Drain Hose Assy | 1 | 1470426 |
| 12 | Electrical Box Plate | ** | ***** |
| 13 | Electrical Box(Plastic) | ** | ***** |
| 14 | Control Board Components | 1 | 1507804 |
| 15 | Electrical Box Plate | ** | ***** |
| 16 | Electrical Box Cover(Metal) | ** | ***** |
| 17 | Terminal Dg17D4-05 | ** | ***** |
| 18 | Power Cord | ** | ***** |
| 19 | Bearing Seat | 2 | 1222824 |
| 20 | Shaft For The Step Motor | 1 | 1465593 |
| 21 | Step Motor | 1 | 1260259 |
| 22 | Motor Guard | ** | ***** |
| 23 | Fan Motor | 1 | 1505210 |
| 24 | Cover | ** | ***** |
| 25 | Temperature Sensor | 1 | 1387643 |
| 26 | Temperature Sensor | 1 | 1471151 |
| 27 | Electrical Box Cover (Plastic) | ** | ***** |
| 28 | Crew Cover (Silver) | 1 | 1530648 |
| ** | Display Board Assy | ** | ***** |
| 29 | Display Box Cover | ** | ***** |
| 30 | Display Board | 1 | 1464488 |
| 31 | Display Box | ** | ***** |
| 32 | Display Window | 1 | 1465765 |
| 33 | Display Panel (Silver) | 1 | 1526580 |
| 34 | Remote Controller | 1 | 1525520 |
| 35 | Filter | 2 | 1505429 |
| 36 | Installation Template Parts | 1 | 1465589 |
| 37 | Fresh Filter (Aroma+Hepa+Catechin+Silver Ion) | 1 | 1526874 |
| 38 | BAFLE (EN "L") | 1 | 1465666 |



| No. Ilus. | DESCRIPCIÓN | Cant. | No. de Parte |
|-----------|---|-------|--------------|
| | Front Panel Parts | ** | ***** |
| 1 | Front Panel | ** | ***** |
| | Fan Grill(Metal) | ** | ***** |
| 2 | Axial Fan | 1 | 1405123 |
| 3 | Fan Motor | 1 | 1415221 |
| 4 | Motor Bracket | ** | ***** |
| 5 | Condenser Assy | 1 | 1506026 |
| 6 | Mounting Plate | ** | ***** |
| 7 | Back Guard | ** | ***** |
| 8 | Top Cover | ** | ***** |
| 9 | Side Panel(Can Not Install The Valve Cover) | ** | ***** |
| 10 | Wiring Cover | ** | ***** |
| 11 | Ambient Temperature Sensor | 1 | 1205018 |
| 12 | Coil Temperature Sensor | 1 | 1380309 |
| 13 | Discharge Temperature Sensor For Compressor | 1 | 1380315 |
| 14 | Control Board Assy | ** | ***** |
| | Control Board | 1 | 1510072 |
| 15 | Electrical Box | ** | ***** |
| 16 | Terminal Dg17D4-05 | ** | ***** |
| 17 | Connecting Plate | ** | ***** |
| 18 | Filter Board | 1 | 1499176 |
| 19 | Radiator | 1 | 1412279 |
| 20 | 4-Way Valve | 1 | 1258654 |
| 21 | 4-Way Valve Coil | 1 | 1386084 |
| 22 | 4-Way Valve Assy | 1 | 1512667 |
| 23 | Three Way Valve | 1 | 1407169 |
| 24 | Capillary Assy | 1 | 1506085 |
| 25 | Two Way Valve | 1 | 1258653 |
| 26 | PFC Reactor | 1 | 1343046 |
| 27 | Separate Plate | ** | ***** |
| 28 | Compressor | 1 | 1479368 |
| 29 | Overload Protector | 1 | 1205011 |
| 30 | Compressor Power Cord | ** | ***** |
| 31 | Mounting Plate(Can Not Install The Valve Cover) | ** | ***** |
| 32 | Base Parts | ** | ***** |