

# Whirlpool

SERVICE

CENTRO DE SOLUCIONES



LO ORIGINAL MARCA DIFERENCIA

**EXPLOSIONADO DE PARTES**

- MINI SPLIT -

MODELO | WA6159Q

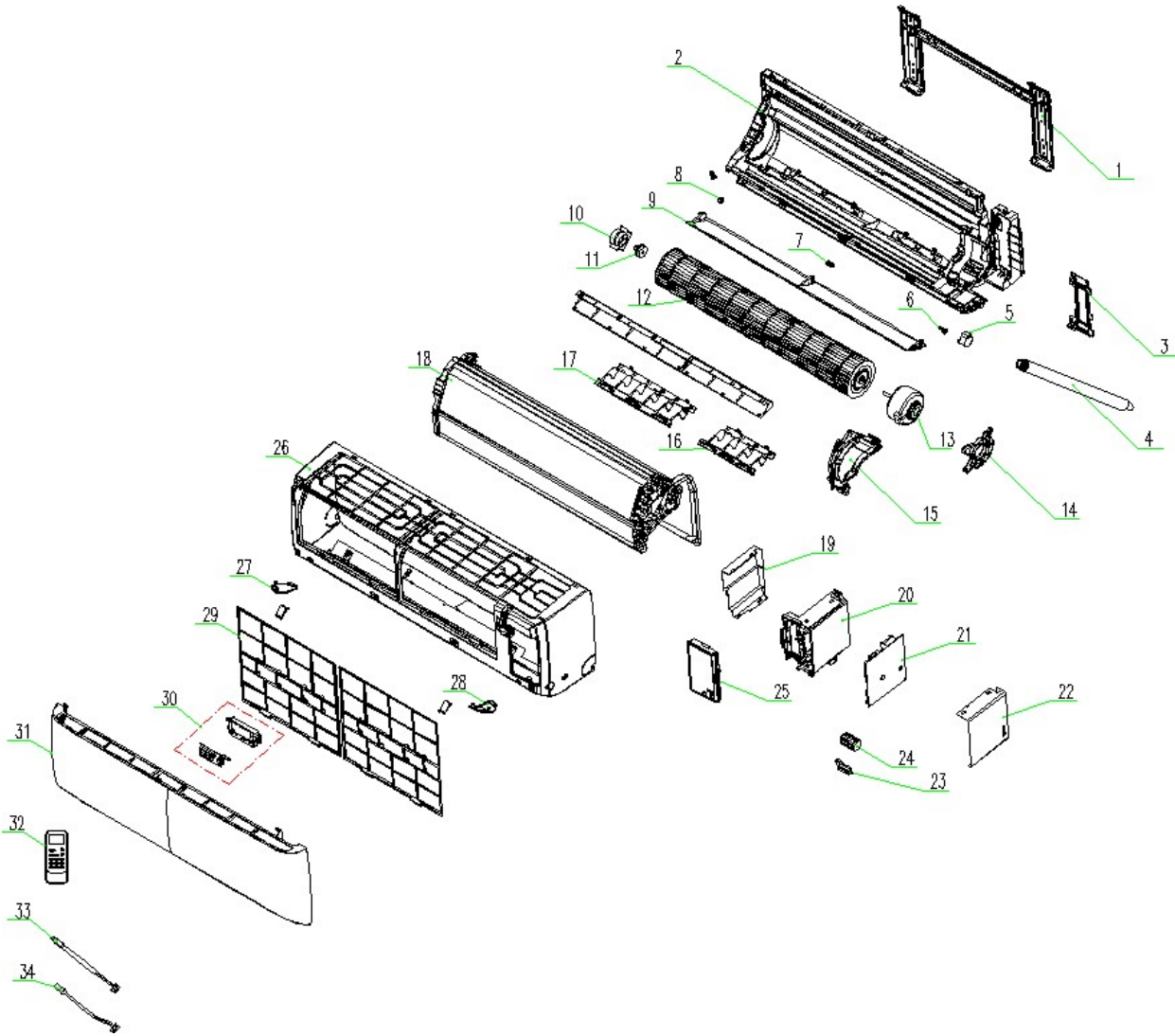
acros<sup>®</sup>

Whirlpool  
CORPORATION

MAYTAG

KitchenAid<sup>™</sup>

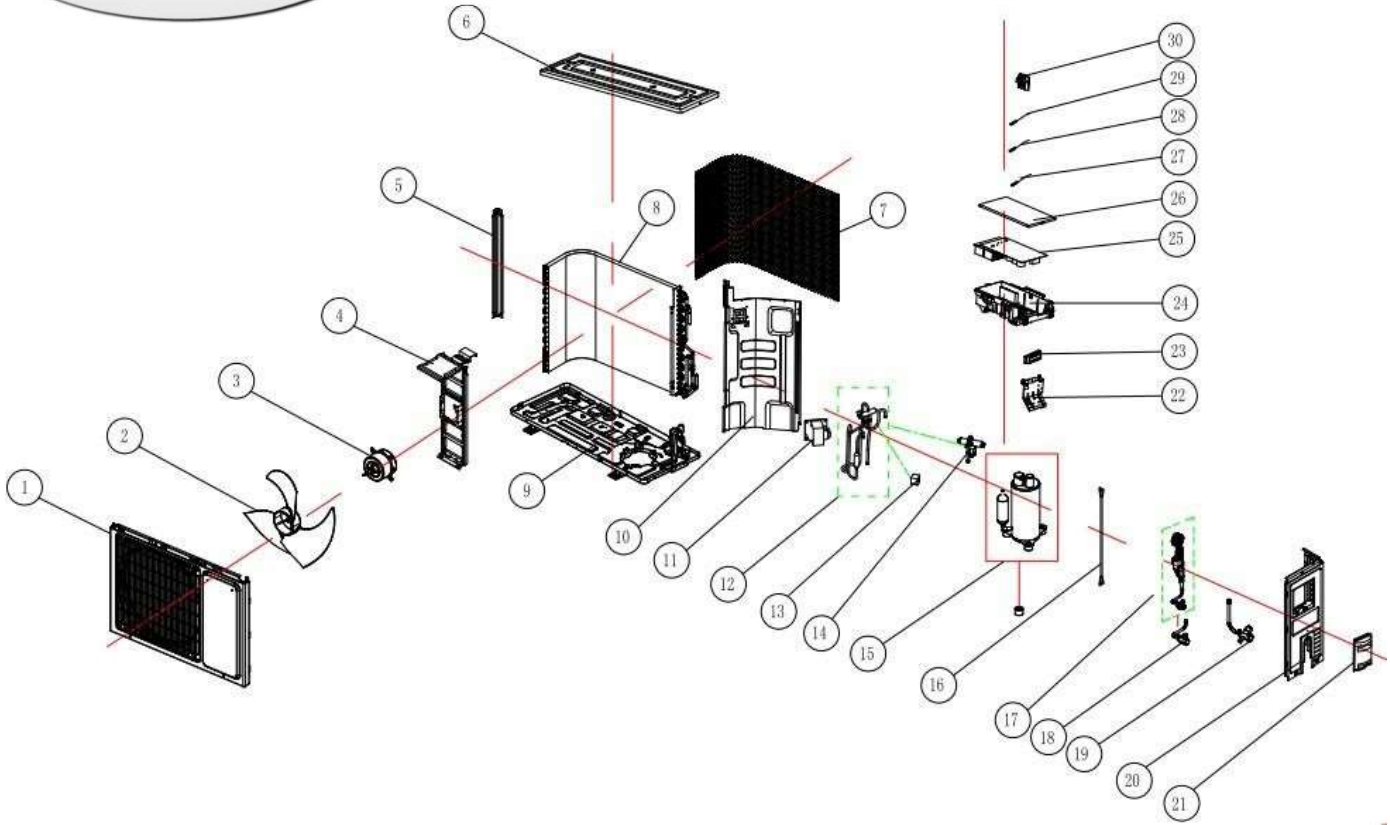
# MINISPLIT WA6159Q



## MINISPLIT WA6159Q

No. Ilustración	Descripción	No. Parte
1	Installation plate assembly	1992914
2	Base holder part	1995809
3	Baffle	1465670
4	Water Pipe Parts	1952748
5	Step Motor	1994759
6	Axes	1950202
7	Axes	1950205
8	Axis Sheath	1892482
9	Level Vane	1988211
10	Baffle	1988271
11	Bearing	1223738
12	Cross-flow fan blade	1993384
13	AC Motor	1992887
14	Motor Cover	1988223
15	Motor Guard	1988222
16	Vertical Level Vane	1988216
17	Vertical Level Vane	1988432
18	Refrigeration System	1996196
19	Electric box cover	1988214
20	Electric box	1988215
21	Indoor Main Control Board	2005890A
22	Electric Box	1988234
23	Cover Clamp	1993405
24	Wire Terminal Board	1262152
25	Electric box cover	1988232
26	Shell	1988208
27	Decorative Panel	1988224
28	Decorative Panel	1988225
29	Filter net	1988229
30	Display component	1996919
31	Panel	4114376
32	Remote Controller	4113219
33	Temperature Sensor	1831400
34	Temperature Sensor	1965628

# MINISPLIT WA6159Q





# MINISPLIT WA6159Q

No. Ilustración	Descripción	No. Parte
1	Panel parts	1935544
2	Propeller fan blade	1556766
3	AC motor	1854829
4	Motor supporter	1849292
5	Mounting plate	1846086
6	Upper board	1846082
7	Back guard	1849520
8	Condenser assembly	1909760
9	Base holder part	1895024
10	Clapboard	1894714
11	PFC inductance	1513622
12	4-way valve assembly	2005316
13	Four way valve coil	1511783
14	4-way valve	1258654
15	Inverter compressor	1909710
16	Strong electricity	1495238
17	Capillary assembly	2005741
18	¼ 2 way valve	1844583
19	½ 3-way valve	1844499
20	Right side board	1846085
21	Wiring distribution	1849016
22	Connecting board	1842392
23	Wire terminal board	1852125
24	Electric box	1948262
25	Controller Component	2005471
26	Electric box cover	1937183
27	Temperature Sensor	1562104
28	Temperature Sensor	1822632
29	Temperature Sensor	1822634
30	Sensor Mounting plate	1937184