

# Whirlpool

SERVICE

CENTRO DE SOLUCIONES



LO ORIGINAL MARCA DIFERENCIA

Explosionado de Partes

Aire Acondicionado

WA6160Q

acros

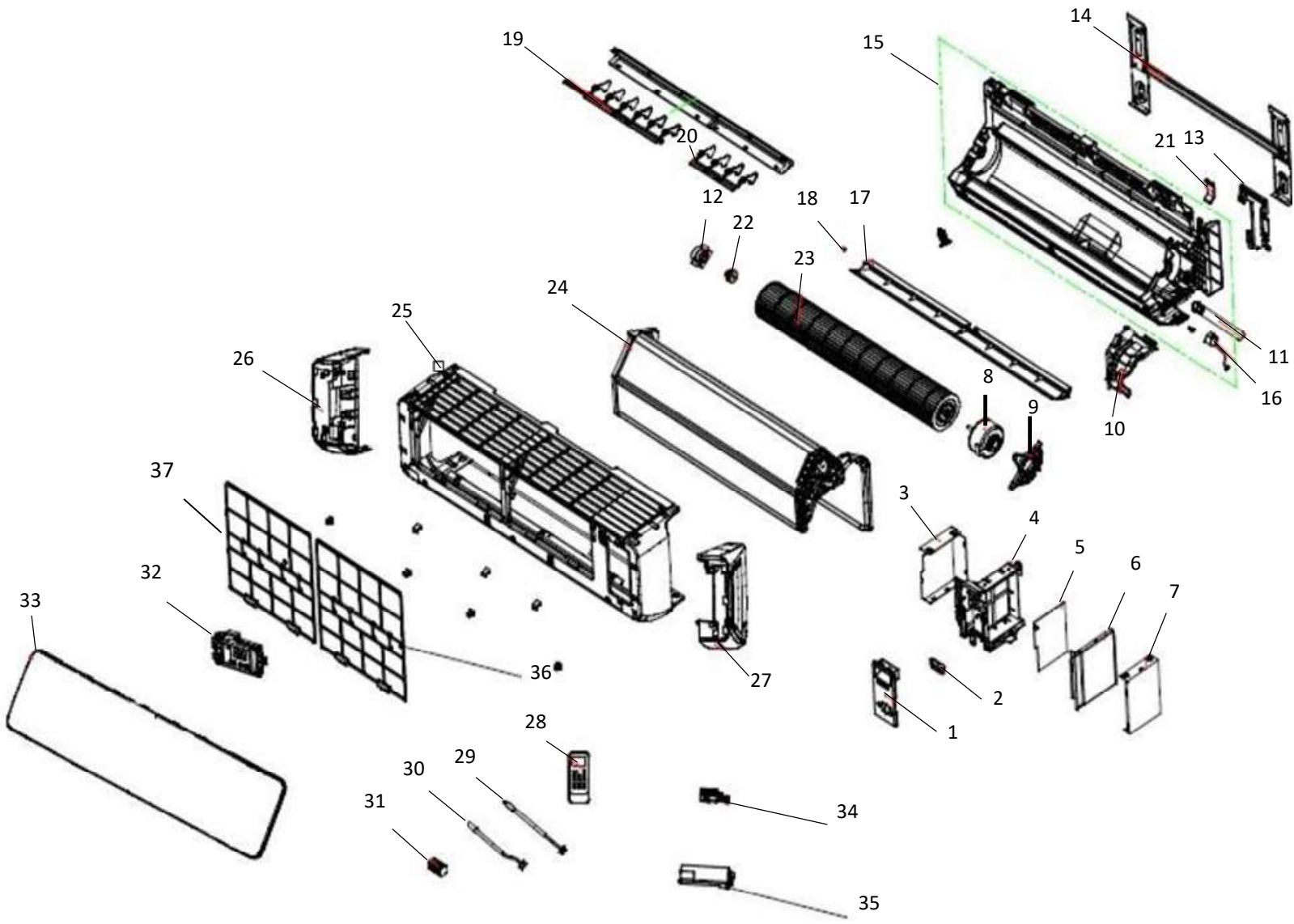
Whirlpool  
CORPORATION

MAYTAG

KitchenAid™



# MINISPLIT WA6160Q



BENITO JUÁREZ #1500 GPE ZITON, CD. GUADALUPE NUEVO LEÓN TEL: 8183377999 Y 49  
HORARIOS: LUNES A VIERNES 8:30 A 6:00 PM Y SÁBADOS DE 8:30 A 2:00 PM  
WEB: [www.denek.com](http://www.denek.com)

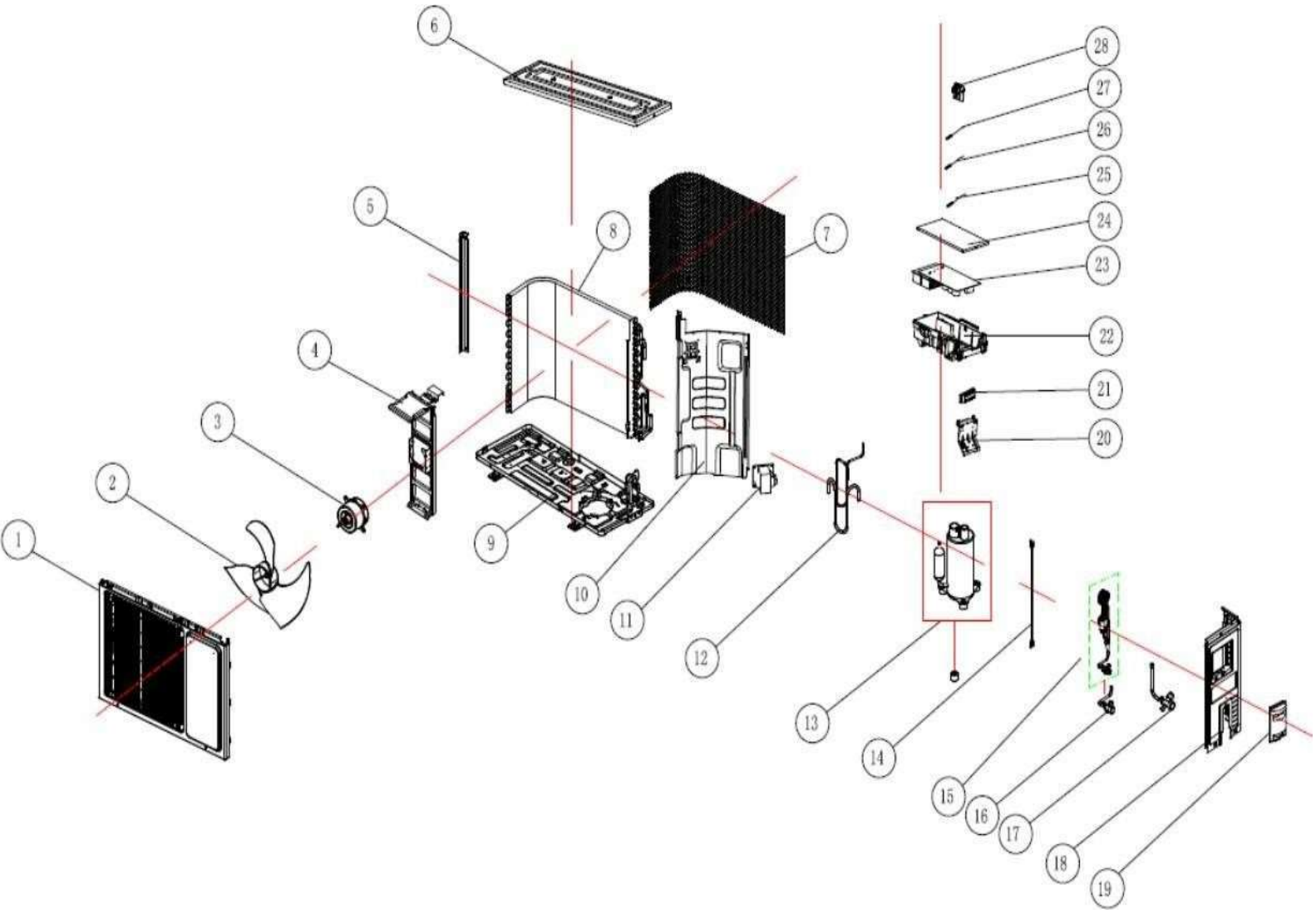


# MINISPLIT WA6160Q

No. de Ilus	Descripción	Cantidad	No. de Parte
1	wiring distribution cover assy	1	1541379
2	Over clamp	1	1541380
3	elec joint box plate	1	1541500
4	electric box	1	1541377
5	Indoor Main Control Board Component	1	2081750
6	electric box cover	1	1541378
7	electric box cover	1	1541507
8	DC motor	1	1561454
9	motor cover	1	1541374
10	motor guard	1	1541369
11	Water pipe parts	1	1470426
12	baffle	1	1465670
13	baffle	1	1541361
14	installation plate assy	1	1952023
15	base holder part	1	1953520
16	Step motor	1	1819726
17	level vane	1	1541362
18	axis sheath	2	1222824
19	Vertical Level Vane	1	1541365
20	Vertical Level Vane	1	1550294
21	baffle	1	1541370
22	bearing	1	1223738
23	cross-flow fan blade	1	1541622
24	Refrigeration system	1	1895547
25	shell	1	1953631
26	ornamental part	1	1953633
27	ornamental part	1	1953634
28	Remote Controller	1	4140853
29	Temperature sensor	1	1383891
30	Temperature sensor	1	1387643
31	Wire terminal board	1	1262152
32	Display Component	1	1903209
33	panel	1	4140877
34	elec joint box assy	1	1897927
36	Filter net	2	1541386
37	Carbon Filter	2	1916494



# MINISPLIT WA6160Q



BENITO JUÁREZ #1500 GPE ZITON, CD. GUADALUPE NUEVO LEÓN TEL: 8183377999 Y 49  
HORARIOS: LUNES A VIERNES 8:30 A 6:00 PM Y SÁBADOS DE 8:30 A 2:00 PM  
WEB: [www.denek.com](http://www.denek.com)



# MINISPLIT WA6160Q

No. de Ilus	Descripción	Cantidad	No. de Parte
1	panel parts	1	1935544
2	propeller fan blade	1	1556766
3	DC motor	1	1554431
4	motor supporter assy	1	1849292
5	mounting plate	1	1846086
6	upper board	1	1846082
7	back guard	1	1849520
8	Condenser assembly	1	1898321
9	base holder part	1	1895024
10	clapboard	1	1894714
11	PFC inductance	1	1513622
12	4-way valve assembly	1	1967373
13	Four-way valve coil	1	1511783
14	4-way valve	1	1408045
15	Inverter compressor	1	1899970
16	Strong electricity connect wire	1	1847142
17	Capillary assembly	1	1900215
18	1/4 2-way valve	1	1844583
19	1/2 3-way valve	1	1844499
20	right side board	1	1846085
21	wiring distribution cover assy	1	1849016
22	connecting board	1	1842392
23	Wire terminal board	1	1852125
24	electric box	1	1841985
25	Controller Component	1	1959149
26	electric box cover	1	1546706
27	Temperature sensor	1	1562104
28	Temperature sensor	1	1822632
29	Temperature sensor	1	1822634
30	sensor mounting plate	1	1937184