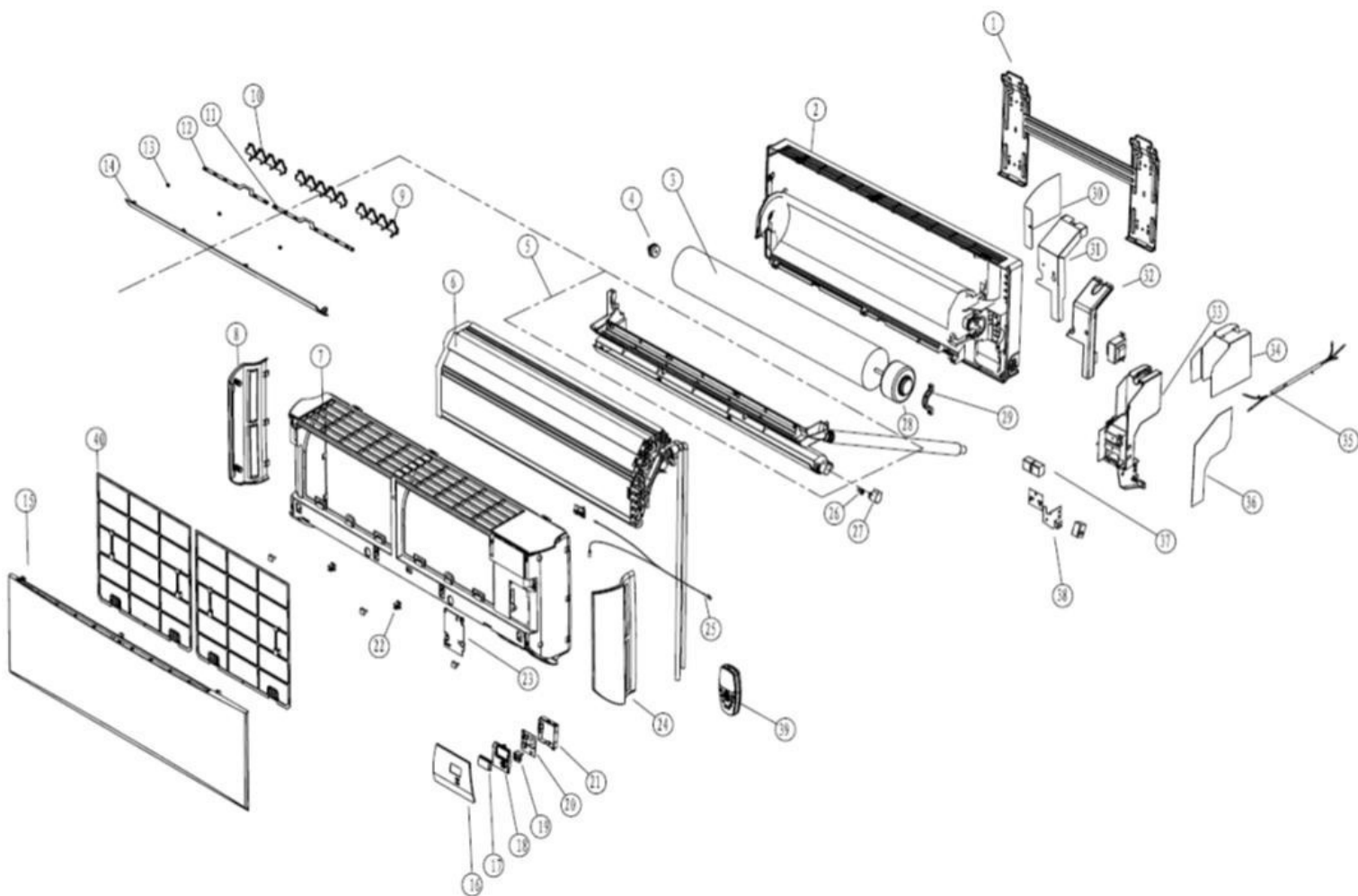




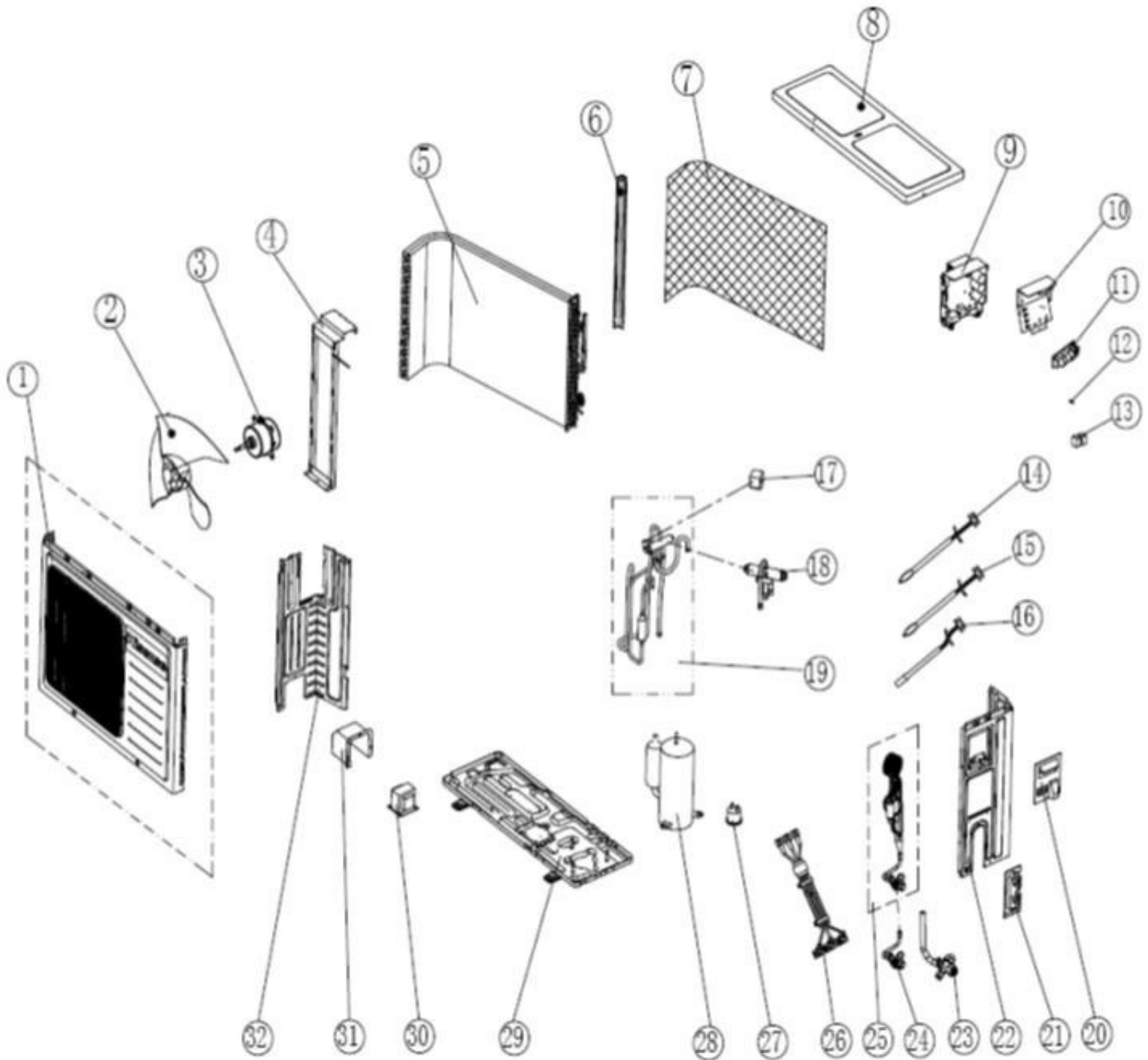
# EXPLOSIONADO DE PARTES —MINISPLIT IMPORTADO—

MODELO | WA6163Q00



**Color: Blanco Capacidad: 1.5 Toneladas**

No. Ilus.	DESCRIPCIÓN	Cant.	No. de Parte
1	Installation Template Parts	1	1444530
2	Base Parts	**	*****
3	Cross-Flow Fan	1	1247788
4	Bearing	1	1223738
5	Drain Pan Assy	1	7508427
6	Evaporator System	1	1507606
7	Shell Parts	1	1506087
8	Left Overlay	1	1500192
9	Vertical Level Vane	2	1248649
10	Vertical Level Vane	11	1248650
11	Center Staff	1	1248841
12	Center Staff	1	1248843
13	Bearing Seat	3	1222824
14	Horizontal Louver	1	1500198
15	Front Panel	1	1526575
16	Display Panel	1	1526581
**	Display Board Assy	**	*****
17	Display Window	1	1465765
18	Display Box	**	*****
19	Lamp Cover	1	1465767
20	Display Board	1	1464488
21	Display Box Cover	**	*****
22	Baffle	2	1502447
23	Wiring Cover	**	*****
24	Right Overlay	1	1500193
25	Room Temperature Sensor	1	1387643
	Coil Temperature Sensor	1	1383891
26	Shaft For The Step Motor	1	1465593
27	Step Motor	1	1225096
28	Fan Motor	1	1368278
29	Motor Ring	**	*****
30	Mounting Plate	**	*****
31	Electrical Box Cover(Plastic)	**	*****
32	Electrical Box Cover(Metal)	**	*****
33	Electrical Box(Plastic)	**	*****
34	Electrical Box(Metal)	**	*****
35	Power Cord	**	*****
36	Control Board	1	1509569
38	Mounting Plate	**	*****
39	Remote Control	1	1525520
40	Filter	2	1372780
41	Fresh Filter (Aroma+Hepa+Catechin+Silver Ion)	1	1380369





# MINISPLIT WA6163Q00

No. Ilus.	DESCRIPCIÓN	Cant.	No. de Parte
1	Front Panel Parts	**	*****
2	Axial Fan	1	1449907
3	Fan Motor	1	1470137
4	Motor Bracket	**	*****
5	Condenser Assy	1	1479552
6	Mounting Plate	**	*****
7	Back Guard(Plastic)	**	*****
8	Top Cover	**	*****
	Control Board Assy	**	*****
9	Control Board	1	1508846
	Radiator	1	1472923
	Electrical Box	**	*****
10	Wire Box	**	*****
11	Filter Board	1	1522867
12	Fuse	1	1200862
13	Terminal Dg17D4-05	**	*****
14	Coil Temperature Sensor	1	1201221
15	Discharge Temperature Sensor For Compressor	1	1380315
16	Ambient Temperature Sensor	1	1380347
17	4 Way Valve Coil	1	1202908
18	4-Way Valve	1	1258657
19	4-Way Valve Assy	1	1509038
20	Wiring Cover	**	*****
21	Valve Seat	**	*****
22	Side Panel	**	*****
23	Three Way Valve	1	1258658
24	Two Way Valve	1	1258653
25	Capillary Assy	1	1480489
26	Compressor Power Board	**	*****
27	Overload Protector	1	1460996
28	Compressor	1	1459851
29	Base Parts	**	*****
30	PFC Reactor	1	1205797
31	Cover	**	*****
32	Separate Plate	**	*****