

Whirlpool

SERVICE

CENTRO DE SOLUCIONES



LO ORIGINAL MARCA DIFERENCIA

EXPLOSIONADO DE PARTES

- MINI SPLIT -

MODELO| WA6165D

acros

Whirlpool
CORPORATION

MAYTAG

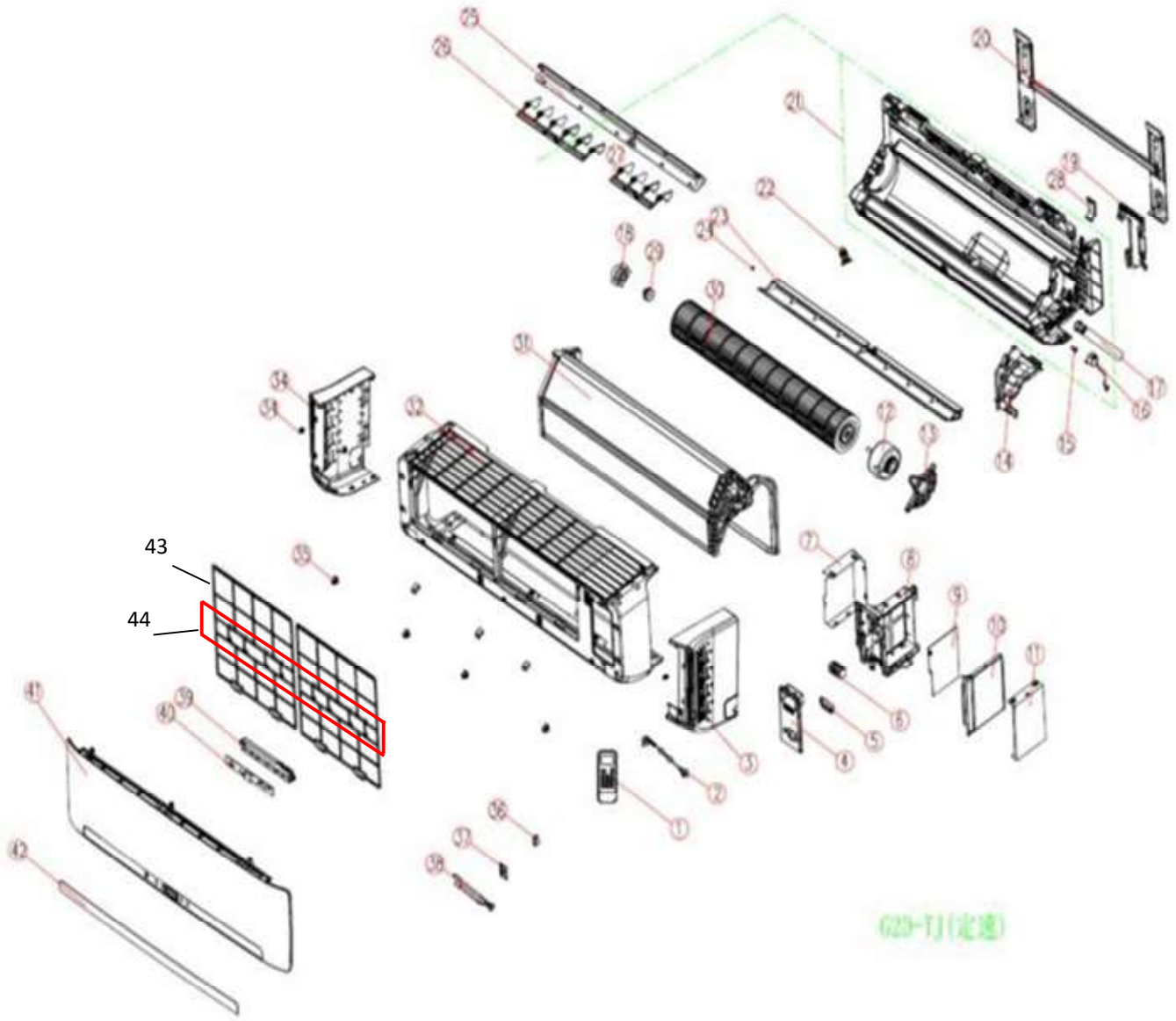
KitchenAid

Distribuidor Autorizado

SurteRápido.com

Venta de Refacciones
Electrodomesticas

MINISPLIT WA6165D



Distribuidor Autorizado

SurteRápido.com

Venta de Refacciones
Electrodomesticas

sr

MINISPLIT WA6165D

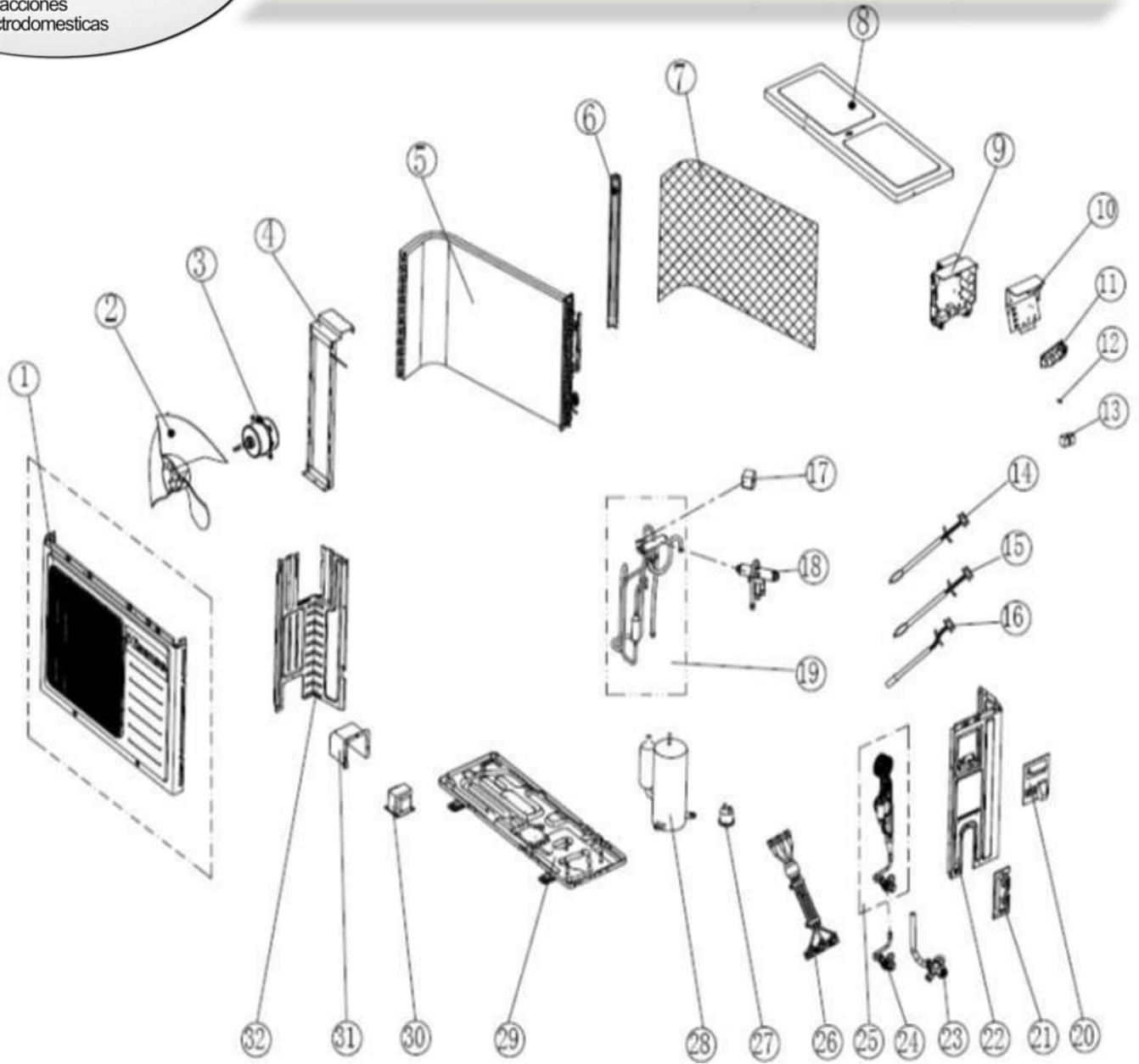
	new part code	description	q ty
1	4013549	Remote Controller	1
2	1221303	Power wire	1
3	1835016	ornamental part	1
4	1541379	wiring distribution cover assy	1
5	1541380	Over clamp	1
6	1226036	Wire terminal board	1
7	1541500	elec joint box plate	1
8	1541377	electric box	1
9	1824745	Indoor Main Control Board Component	1
10	1541378	electric box cover	1
11	1541507	electric box cover	1
12	1552298	AC motor	1
13	1541374	motor cover	1
14	1541369	motor guard	1
15	1465593	axes	1
16	1467336	Step motor	1
17	1470426	Water pipe parts	1
18	1465670	baffle	1
19	1541361	baffle	1
20	1444531	installation plate assy	1
21	1565079	base holder part	1
22	1570995	rubber plug	1
23	1835019	level vane	1
24	1222824	axis sheath	2
25	1541359	air duct plate	1
26	1541365	Vertical Level Vane	1
27	1550294	Vertical Level Vane	1
28	1541370	baffle	1
29	1223738	bearing	1
30	1541622	cross-flow fan blade	1
31	1552313	Refrigeration system	1
32	1835015	shell	1
33	1835017	ornamental part	1
34	1502447	Hooking	4
35	1541361	Hooking	1
36	1223847	clamp	1
37	1489837	connecting board	1
38a	1471151	Temperature sensor	1
38b	1387643	room Temperature sensor	1
39	1822030	Display box	1
40	1823702	Dispaly Board	1
41	1835034	panel	1
42	1831578	Display film pattern	1
43	1541386	Filtro	1
44	1542897	Filtro de Carbon/Vitamina C	1

Distribuidor Autorizado

SurteRápido.com

Venta de Refacciones
Electrodomesticas

MINISPLIT WA6165D



MINISPLIT WA6165D

SR.	NEW PART CODE	DESCRIPTION	Q'TY
1	1452773	front panel parts	1
2	1565462	axial fan	1
3	1470137	fan motor	1
4	1830218	motor bracket	1
5	1821541	condenser ASS'Y	1
6	1449843	mounting plate	1
7	1460186	back guard(plastic)	1
8	1458505	top cover	1
9	1820563	control board ass'y	1
9_2	1511516	radiator	1
9_3	1467514	electrical box	1
10	1460179	wire box	1
11	1563630	filter board	1
12	1512977	fuse	1
13	1262152	terminal DG17D4-05	1
14	1201221	Coil Temperature Sensor	1
15	1380315	Discharge Temperature Sensor for compressor	1
16	1380347	Ambient Temperature Sensor	1
17	1202908	4 way valve coil	1
18	1258657	4-way valve	1
19	1516868	4-way valve ASS'Y	1
20	1276574	wiring cover	1
21	1449827	valve seat	1
22	1460185	side panel	1
23	1507950	three way valve	1
24	1258653	two way valve	1
25	1812896	capillary ASS'Y	1
26	1201191	compressor power board	1
27	NA	overload protector	1
28	1335396	compressor	1
29	1479112	base parts	1
30	1205797	PFC reactor	1
31	1460187	cover	1
32	1460184	separate plate	1