

Whirlpool

SERVICE

CENTRO DE SOLUCIONES



LO ORIGINAL MARCA DIFERENCIA

EXPLOSIONADO DE PARTES

- MINI SPLIT -

MODELO | WA6167D

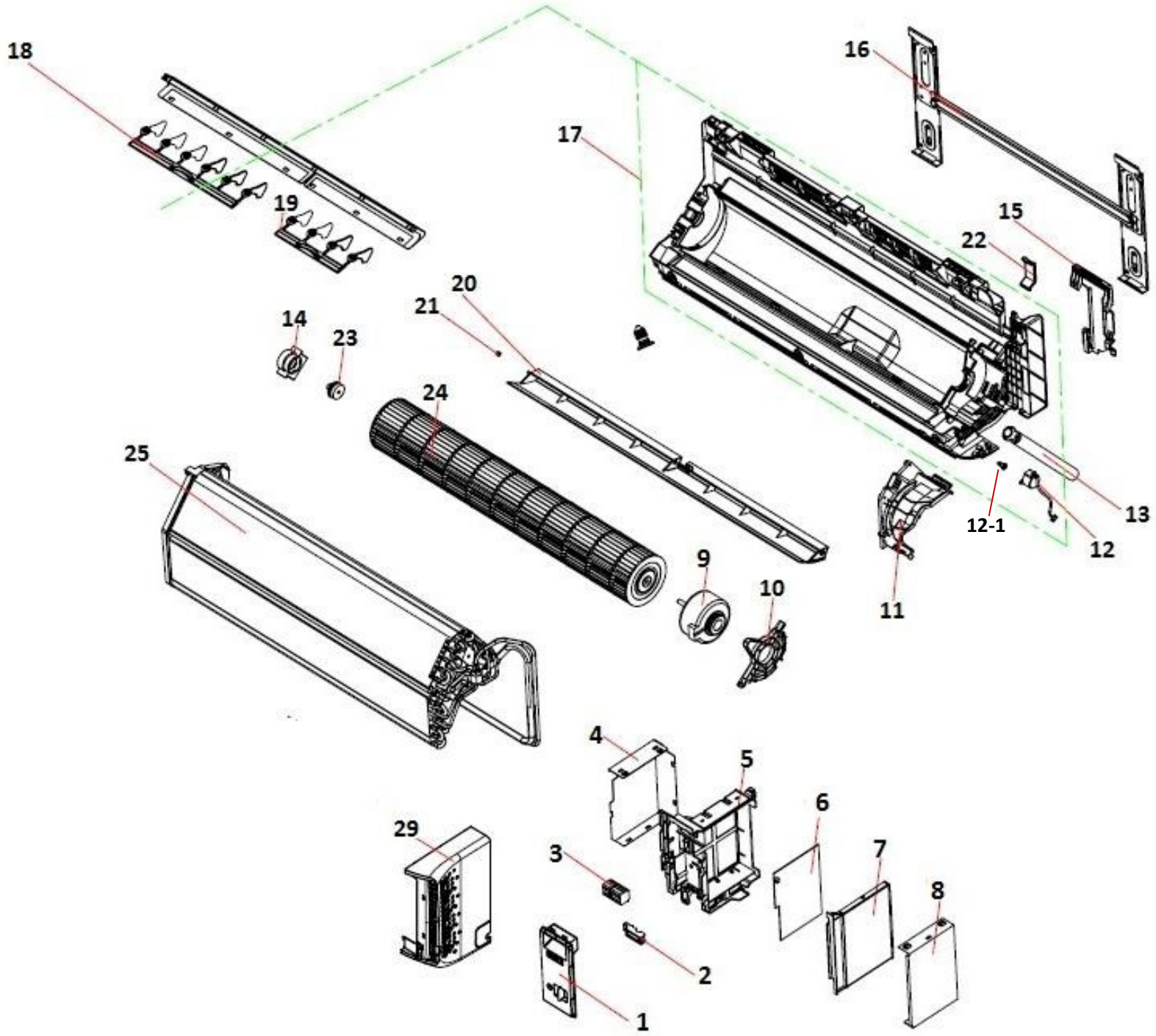
acros

Whirlpool
CORPORATION

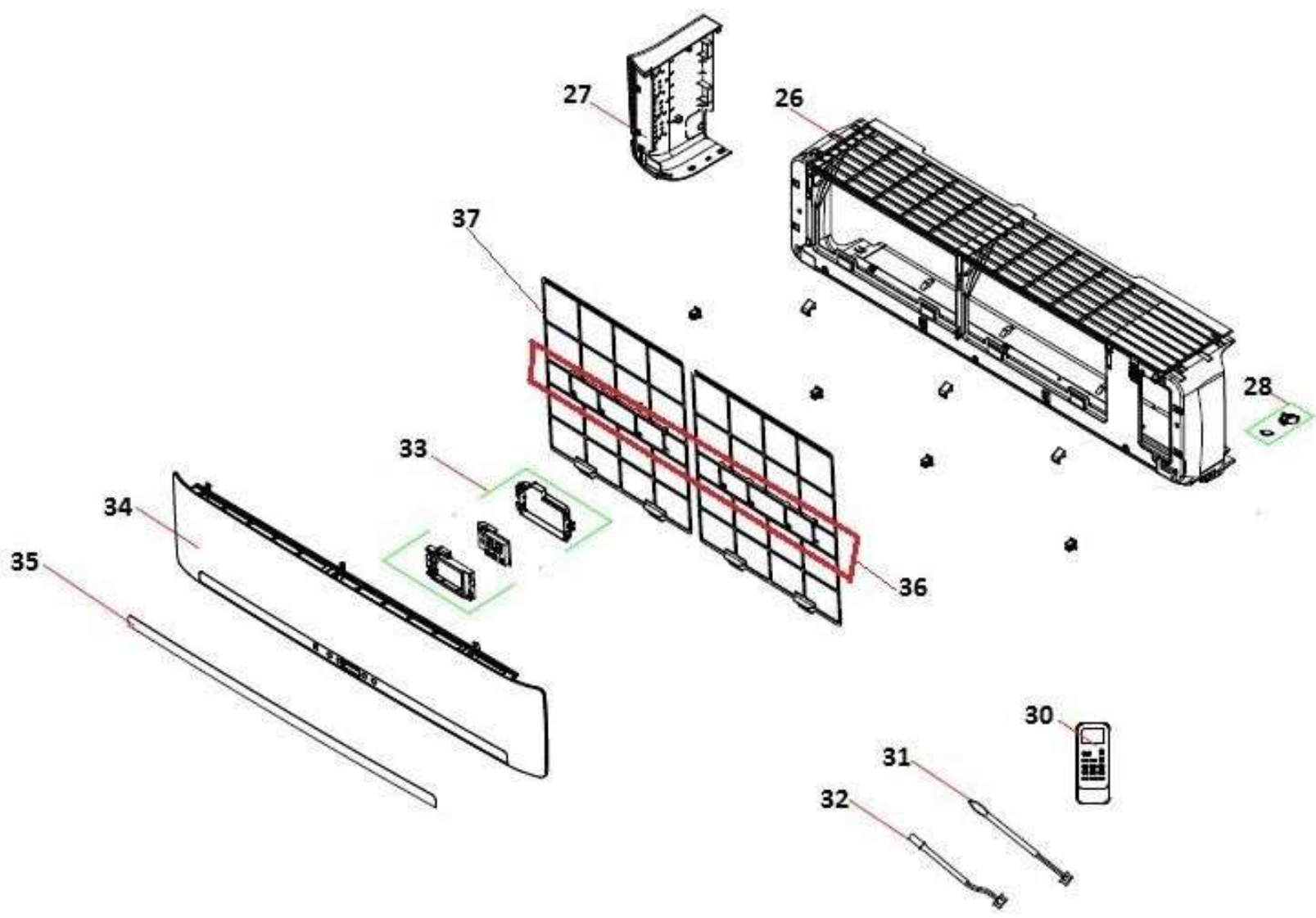
MAYTAG

KitchenAid[®]

Minisplit Whirlpool WA6167D

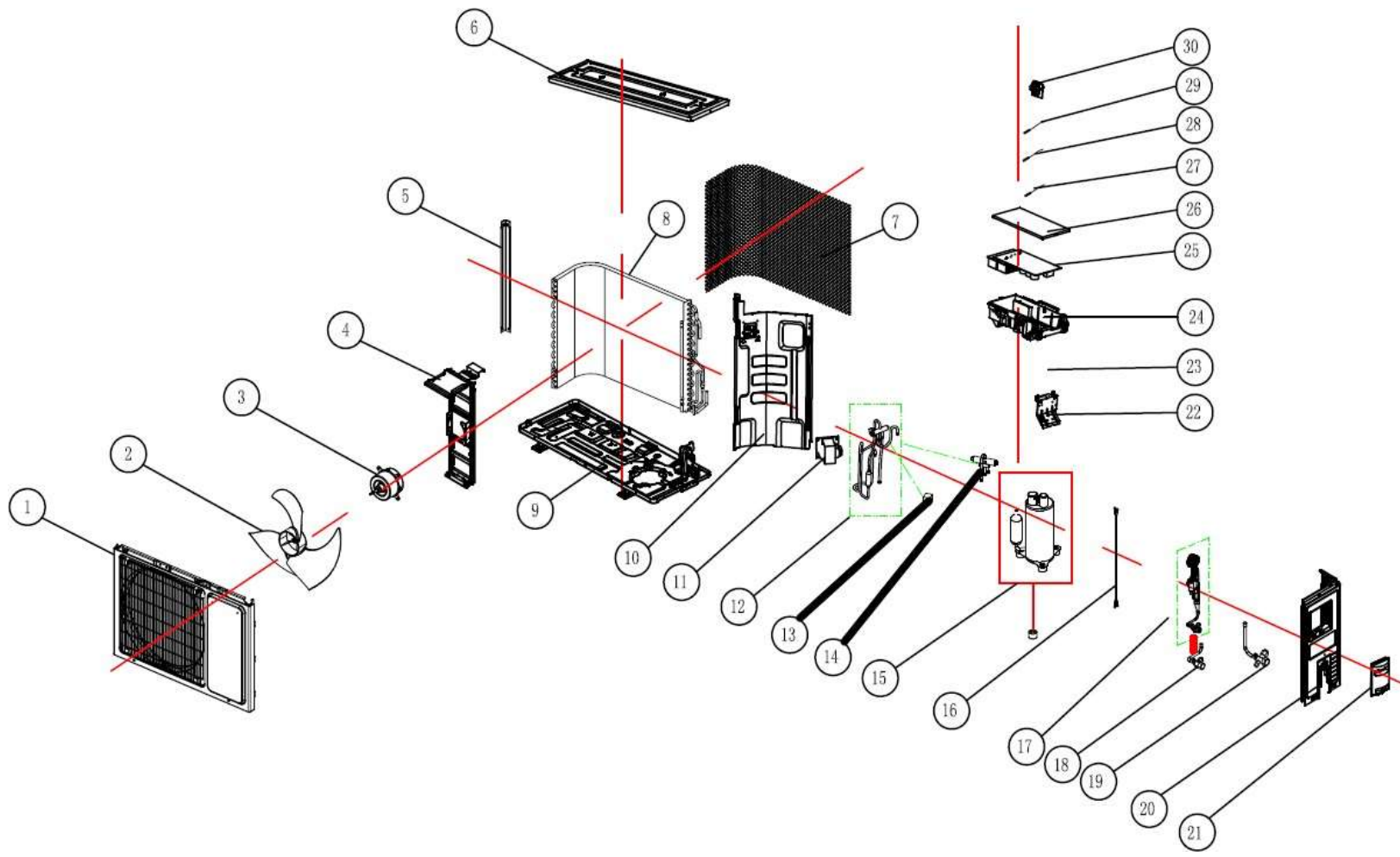


Minisplit Whirlpool WA6167D



No. Ilustración	Descripción	No. Parte
1	WIRING DISTRIBUTION COVER ASSY	1541379
2	OVER CLAMP	1541380
3	WIRE TERMINAL BOARD	1262152
4	ELEC JOINT BOX PLATE	1541500
5	ELECTRIC BOX	1541377
6	INDOOR MAIN CONTROL BOARD COMPONENT	1908341
7	ELECTRIC BOX COVER	1541378
8	ELECTRIC BOX COVER	1541507
9	AC MOTOR	1858726
10	MOTOR COVER	1541374
11	MOTOR GUARD	1541369
12	STEP MOTOR	1819726
12-1	AXLE SLEEVE	1465593
13	WATER PIPE PARTS	1470426
14	BAFFLE	1465670
15	BAFFLE	1541361
16	INSTALLATION PLATE ASSY	1444531
17	BASE HOLDER PART	1565079
18	VERTICAL LEVEL VANE	1541365
19	VERTICAL LEVEL VANE	1550294
20	LEVEL VANE	1835019
21	AXIS SHEATH	1222824
22	BAFFLE	1541370
23	BEARING	1223738
24	CROSS-FLOW FAN BLADE	1541622
25	REFRIGERATION SYSTEM	1552313
26	SHELL	1835015
27	ORNAMENTAL PART	1835016
28	SWITCH PANEL ASSY	1823826
29	ORNAMENTAL PART	1835017
30	REMOTE CONTROLLER	4046900
31	TEMPERATURE SENSOR	1387643
32	TEMPERATURE SENSOR	1471151
33	DISPLAY COMPONENT	1823704
34	PANEL	1835034
35	DISPLEY FILM	1835035
36	COMBO FILTER	1542897
37	FILTER	1541386

Minisplit Whirlpool WA6167D



No. Ilustración	Descripción	No. Parte
1	PANEL PARTS	1847919
2	PROPELLER FAN BLADE	1556766
3	AC MOTOR	1854829
4	MOTOR SUPPORTER ASSY	1849292
5	MOUNTING PLATE	1846086
6	UPPER BOARD	1846082
7	BACK GUARD	1850382
8	CONDENSER ASSEMBLY	1854847
9	BASE HOLDER PART	1850352
10	CLAPBOARD	1847982
11	PFC INDUCTANCE	1513622
12	4-WAY VALVE ASSEMBLY	1850547
13	FOUR-WAY VALVE COIL	1511783
14	4-WAY VALVE	1408045
15	INVERTER COMPRESSOR	1850482
16	STRONG ELECTRICITY CONNECT WIRE	1847142
17	CAPILLARY ASSEMBLY	1854848
18	2-WAY VALVE	1844583
19	3-WAY VALVE	1844499
20	RIGHT SIDE BOARD	1846084
21	WIRING DISTRIBUTION COVER ASSY	1849016
22	CONNECTING BOARD	1842392
23	WIRE TERMINAL BOARD	1852125
24	ELECTRIC BOX	1841985
25	CONTROLLER COMPONENT	1874812
26	ELECTRIC BOX COVER	1546706
27	TEMPERATURE SENSOR	1472663
28	TEMPERATURE SENSOR	1472664
29	TEMPERATURE SENSOR	1831029
30	SENSOR MOUNTING PLATE	1546721