

Whirlpool

SERVICE

CENTRO DE SOLUCIONES



LO ORIGINAL MARCA DIFERENCIA

EXPLOSIONADO DE PARTES

- MINI SPLIT -

MODELO | WA6259Q

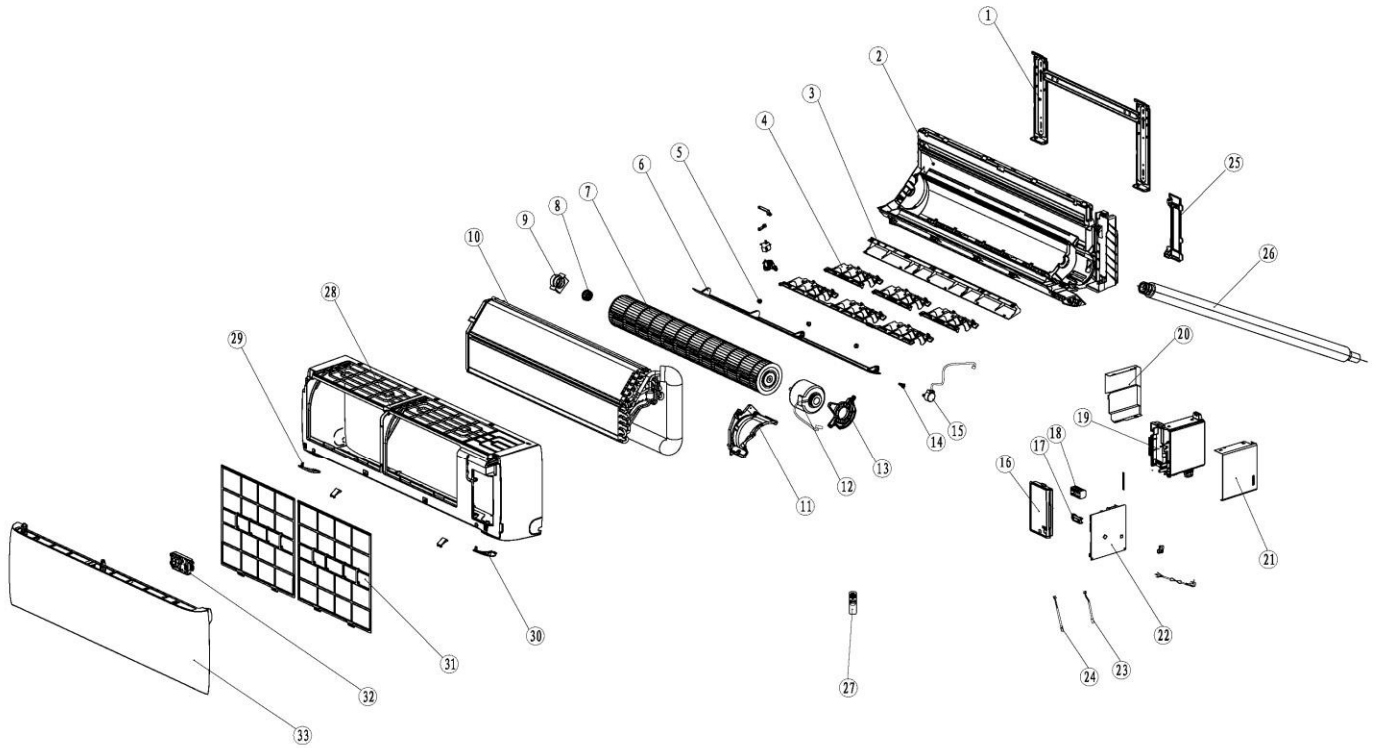
acros

Whirlpool
CORPORATION

MAYTAG

KitchenAid™

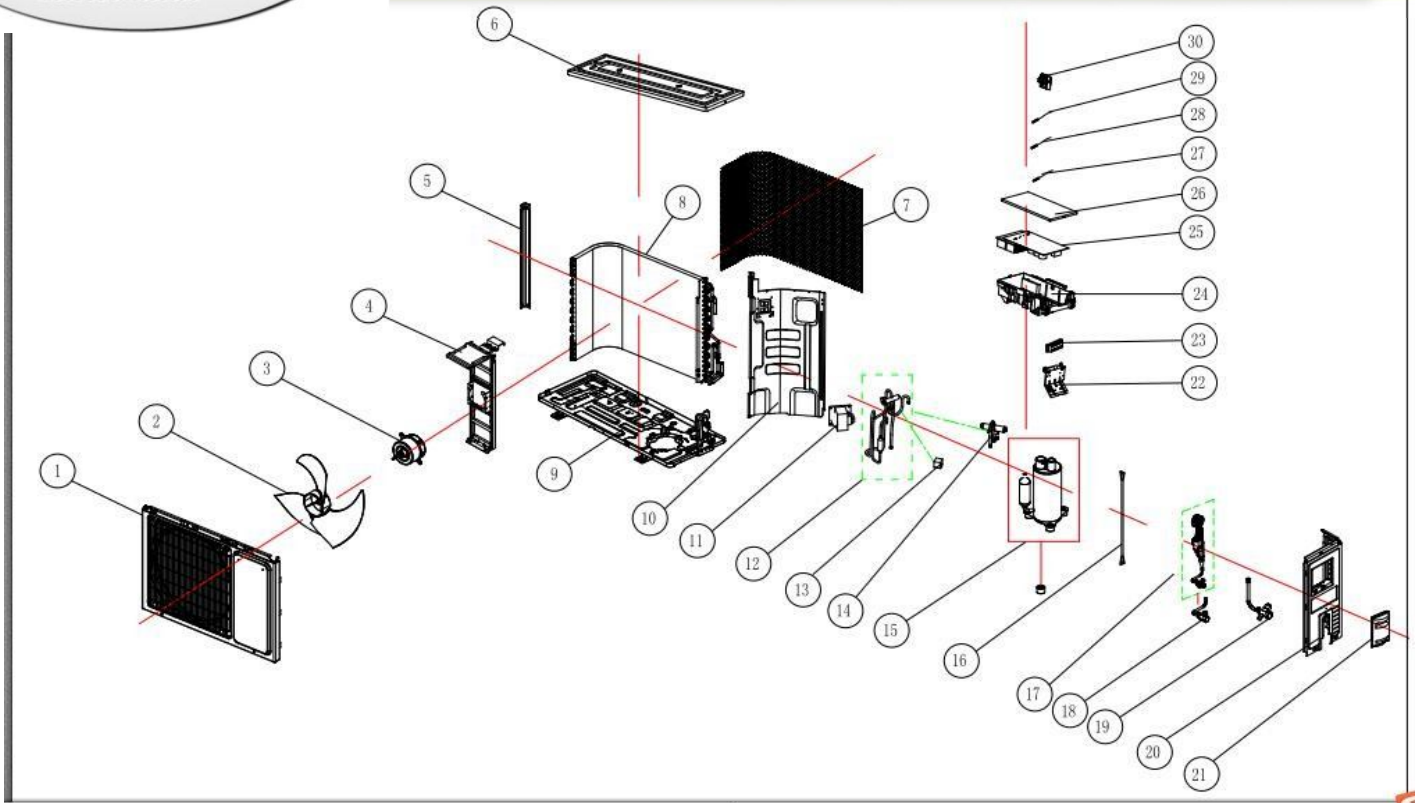
MINISPLIT WA6259Q



MINISPLIT WA6259Q

NO. ILLUSTRACION	Descripción	No. Parte
1	Installation plate assembly	1994532
2	Base holder part	1995818
3	Air Duct Plate	1988426
4	Vertical Level Vane	1988432
5	Axis Sheath	1892482
6	Level Vane	1988411
7	Cross-flow fan blade	1995675
8	Bearing	1223739
9	Baffle	1465670
10	Refrigeration System	2019022
11	Motor Guard	1988427
12	AC Motor	1991037
13	Motor Cover	1988223
14	Axes	1950202
15	Step Motor	1994759
16	Electric Box Cover	1988214
17	Over Clamp	1993405
18	Wire terminal board	1262152
19	Electric box	1988215
20	Electric box cover	1988232
21	Electric box	1988234
22	Indoor Main Control Board	2005879
23	Temperature Sensor	1831400
24	Temperature Sensor	1965628
25	Baffle	1988433
26	Water Pipe Parts	1952748
27	Remote Controller	1877414
28	Shell	1988410
29	Decorative Panel	1988414
30	Decorative Panel	1988415
31	Filter Net	1988412
32	Display Component	1996919
33	Panel	4114377

MINISPLIT WA6259Q



MINISPLIT WA6259Q

No. Ilustración	Descripción	No. Parte
1	Panel parts	1935850
2	Propeller fan blade	1841783
3	AC motor	1841930
4	Motor supporter	1841749
5	Mounting plate	1841772
6	Upper board	1841779
7	Back guard	1847186
8	Condenser assembly	1900200
9	Base holder part	1841349
10	Clapboard	1841986
11	PFC inductance	1205797
12	4-way valve assembly	1900206
13	Four way valve coil	1896360
14	4-way valve	1408045
15	Inverter compressor	1850482
16	Strong electricity	1847142
17	Capillary assembly	1900205
18	3/8 2-way valve	1849152
19	5/8 3-way valve	1849153
20	Right side board	1841776
21	Wiring distribution	1849016
22	Connecting board	1842392
23	Wire terminal board	1852125
24	Electric box	1841985
25	Controller Component	2005438
26	Electric box cover	1546706
27	Temperature Sensor	1562104
28	Temperature Sensor	1822633
29	Temperature Sensor	1822634
30	Sensor Mounting plate	1546721