



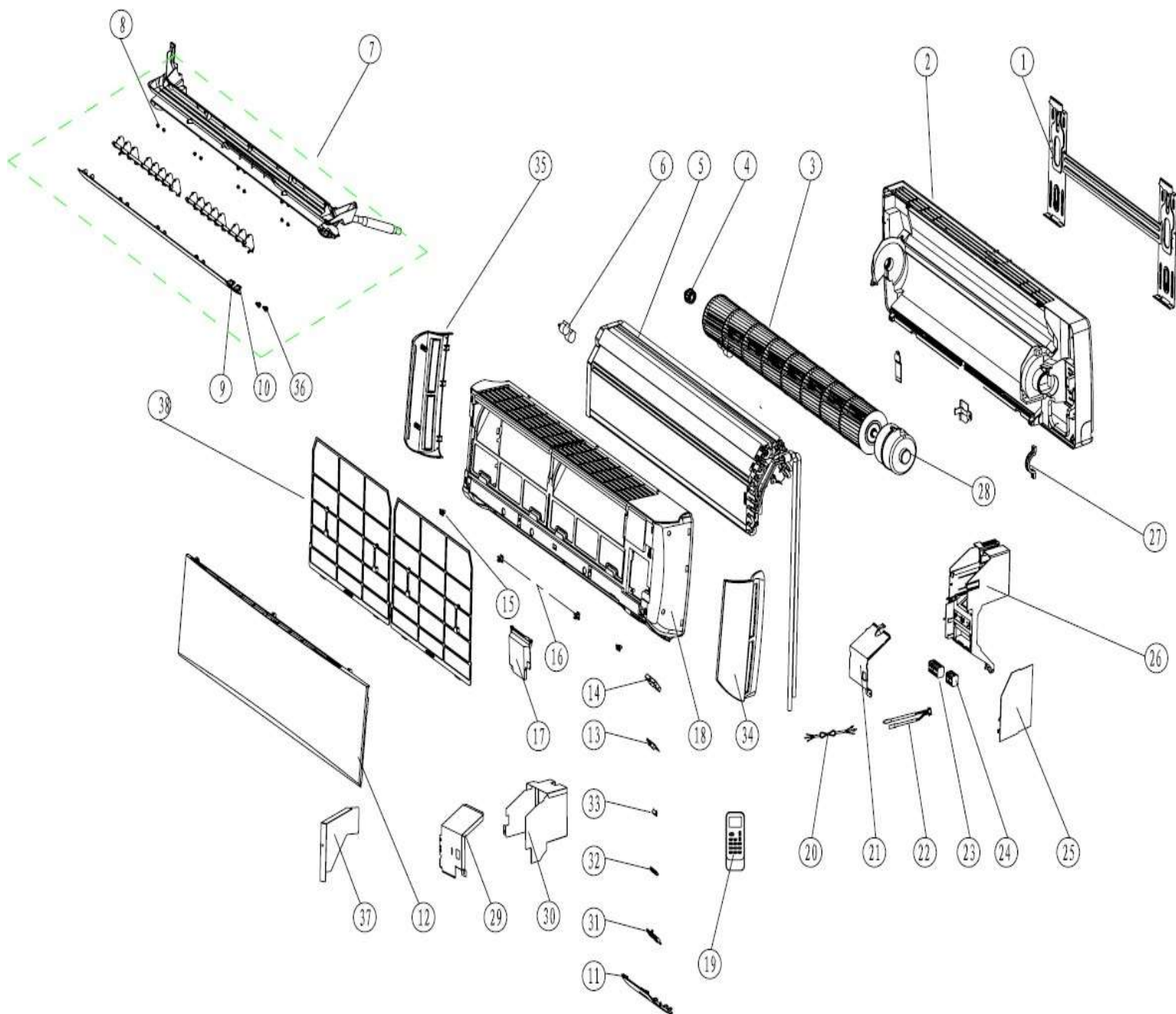
# EXPLOSIONADO DE PARTES —MINISPLIT IMPORTADO—

MODELO | WA6263Q00



# MINISPLIT WA6263Q00

Color: Blanco Capacidad: 2 Toneladas

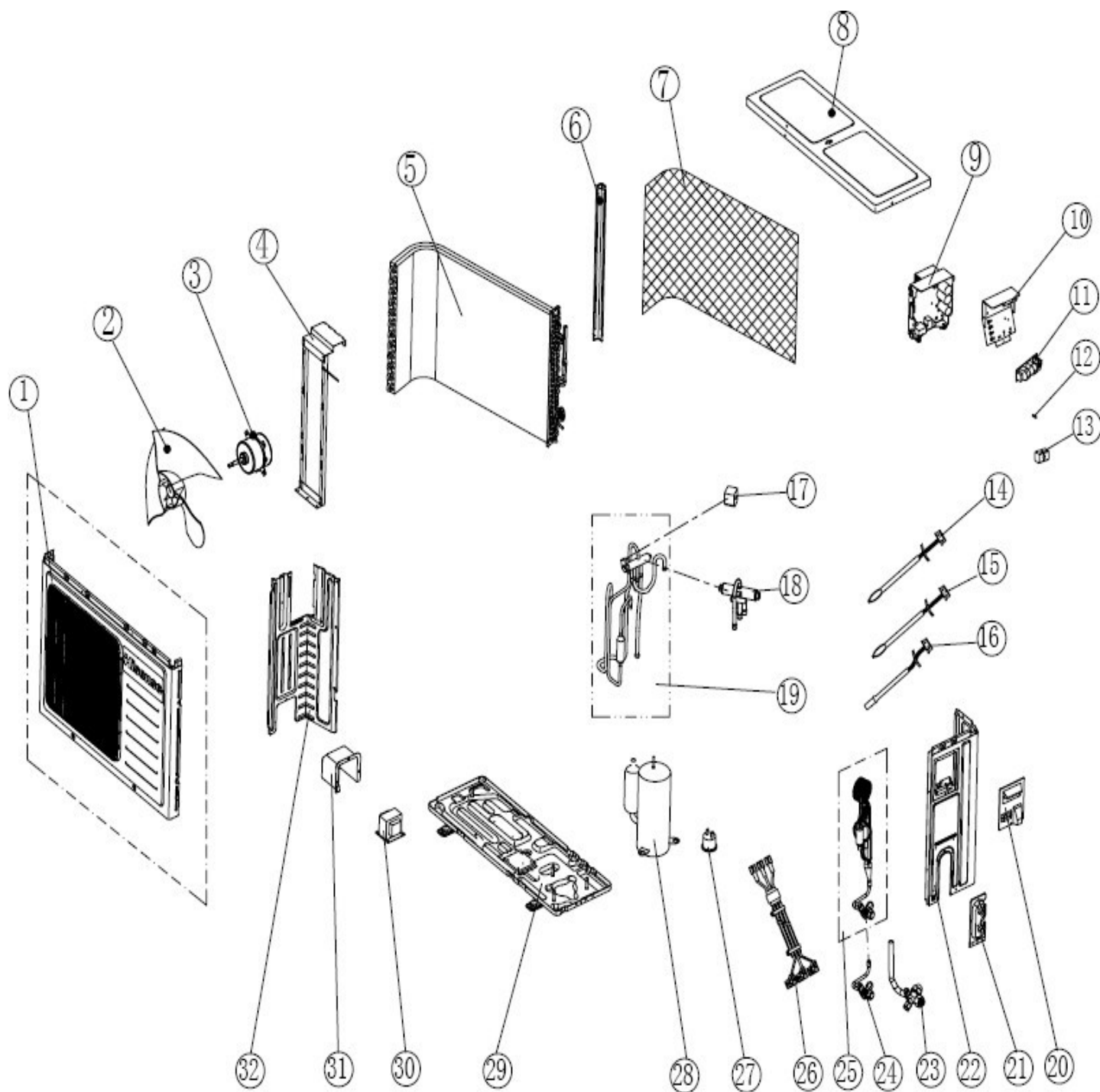


BENITO JUÁREZ #1500 GPE ZITON, CD. GUADALUPE NUEVO LEÓN TEL: 8183377999 Y 49  
HORARIOS: LUNES A VIERNES 8:30 A 6:00 PM Y SÁBADOS DE 8:30 A 2:00 PM

[www.denek.com](http://www.denek.com)

Color: Blanco Capacidad: 2 Toneladas

No. Ilus.	DESCRIPCIÓN	Cant.	No. de Parte
1	Installation Template Assy	1	1444531
2	Base Parts	**	*****
3	Cross-Flow Fan	1	1225213
4	Bearing	1	1223738
5	Evaporator System	1	1517486
6	Step Motor	2	1225096
7	Drain Pan Assy	1	7508425
	Drain Hose	1	1470426
8	Bearing Seat	8	1222824
9	Horizontal Louver(Up)	1	1500154
10	Horizontal Louver(Down)	1	1500155
11	Display Panel	1	1526582
12	Front Panel	1	1526577
**	Display Board Assy	**	*****
13	Display Board	1	1464488
14	Display Box	**	*****
15	Baffle G2A00/R00.02.01-06	2	1223851
16	Baffle G2C40/R00.02.01-05	2	1502447
17	Wiring Cover	**	*****
18	Shell Parts	1	1500429
19	Remote Control	1	1525520
20	Power Cord	**	*****
21	Electrical Box Cover(Plastic)	**	*****
22	Coil Temperature Sensor	1	1383891
	Room Temperature Sensor	1	1387643
23	Terminal Dg17D4-05	**	*****
24	Terminal Dg17D3-01	**	*****
25	Control Board Components	1	1510937
	Power Board	1	1449517
26	Electrical Box(Plastic)	**	*****
27	Motor Ring	**	*****
28	Fan Motor	1	1432340
29	Electrical Box Cover(Metal)	**	*****
30	Electrical Box Parts(Metal)	**	*****
31	Display Box	**	*****
32	Display Window	1	1465765
33	Lamp Cover	**	*****
34	Right Ornamental Part	1	1500153
35	Left Ornamental Part	1	1500152
36	Shaft For The Step Motor	2	1465593
37	Mounting Plate	**	*****
38	Filter	2	1376404
39	Fresh Filter (Aroma+Hepa+Catechin+Silver Ion)	1	1380369



No. Ilus.	DESCRIPCIÓN	Cant.	No. de Parte
1	Front Panel Parts	**	*****
2	Axial Fan	1	1449907
3	Fan Motor	1	1470137
4	Motor Bracket	**	*****
5	Condenser Assy	1	1460100
6	Mounting Plate	**	*****
7	Back Guard(Plastic)	**	*****
8	Top Cover	**	*****
	Control Board Assy	**	*****
9	Control Board	1	1459512
	Radiator	1	1460196
	Electrical Box	**	*****
10	Wire Box	**	*****
11	Filter Board	1	1478065
12	Fuse	1	1366355
13	Terminal Dg17D4-05	**	*****
14	Coil Temperature Sensor	1	1201221
15	Discharge Temperature Sensor For Compressor	1	1380315
16	Ambient Temperature Sensor	1	1380347
17	4 Way Valve Coil	1	1202908
18	4-Way Valve	1	1258657
19	4-Way Valve Assy	1	1460107
20	Wiring Cover	**	*****
21	Valve Seat	**	*****
22	Side Panel	**	*****
23	Three Way Valve	1	1456114
24	Two Way Valve	1	1456119
25	Capillary Assy	1	1467767
26	Compressor Power Board	**	*****
27	Overload Protector	1	1202055
28	Compressor	1	1312285
29	Base Parts	**	*****
30	Pfc Reactor	1	1205797
31	Cover	**	*****
32	Separate Plate	**	*****