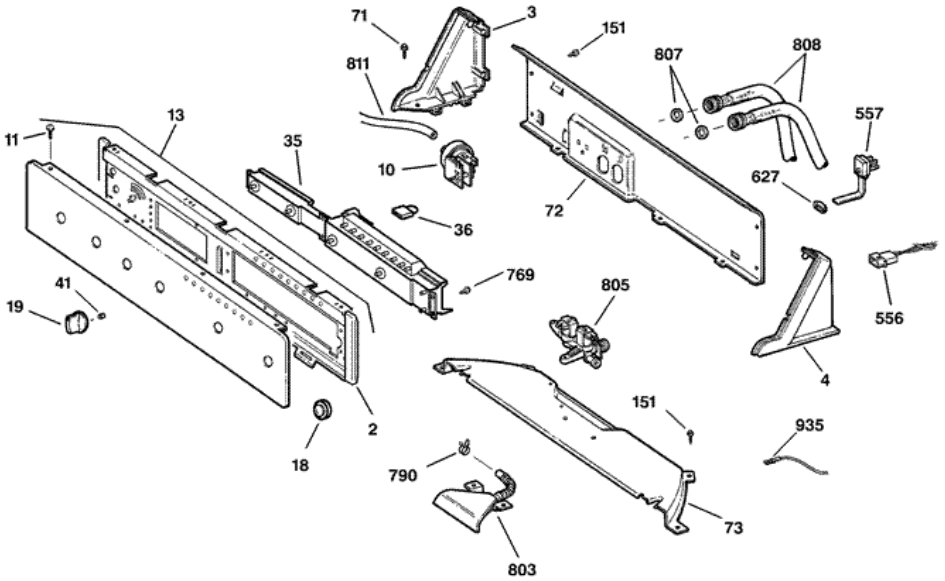


Distribuidor Autorizado

SurteRápido.com

Venta de Refacciones
Electrodomesticas

WBSE3120B1WW TABLERO





WBSE3120B1WW TABLERO

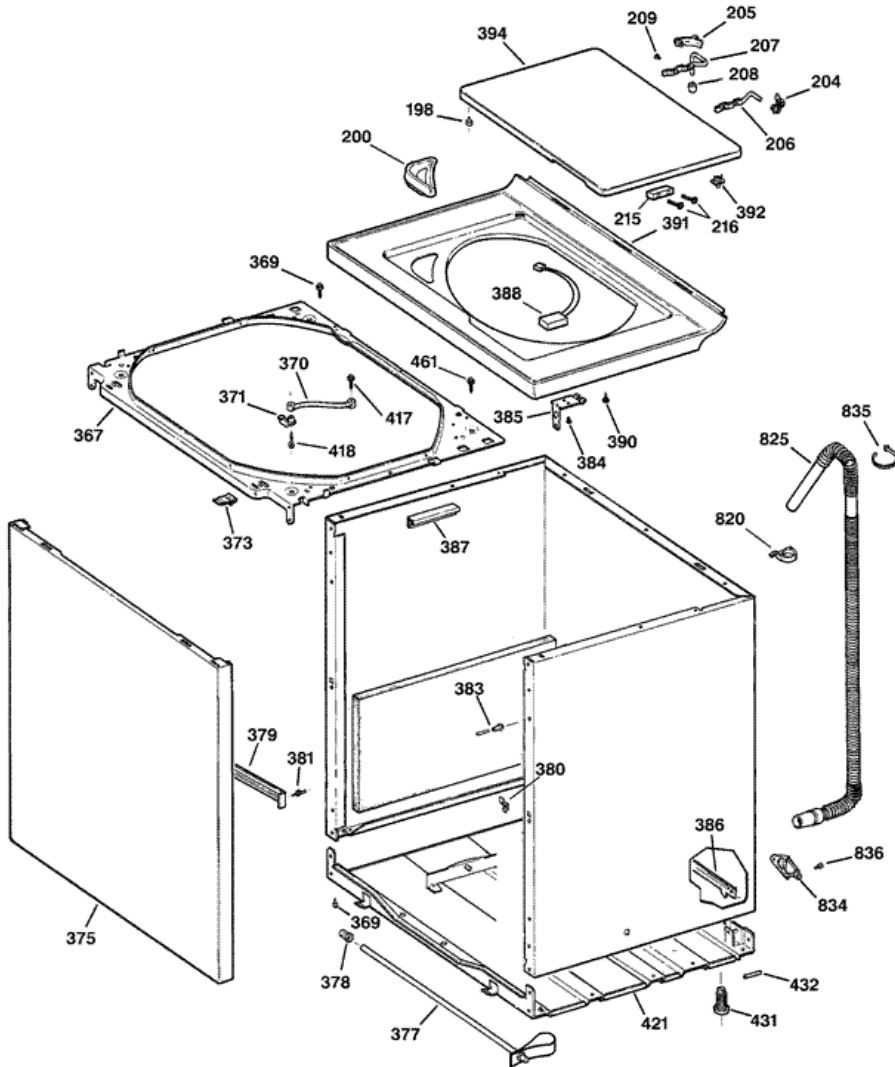
2	WH46X10096	SUPPORT SWITCH (S/P)
3	WH42X10710	END CAP LH WH (S/P)
3	WH42X10311	END CAP LH (S/P)
4	WH42X10312	END CAP RH (S/P)
4	WH42X10711	END CAP RH WH (S/P)
10	WH12X10173	SWITCH PRESSURE (S/P)
11	WH2X10089	SCR 8-18 AB FLT 9/16 SN (S/P)
13	WH42X10314	CONTROL PANEL ASM (S/P)
13	WH42X10302	CONTROL PANEL ASM (S/P)
18	WH1X10073	SWITCH START/STOP (S/P)
18	WH1X10088	SWITCH START/STOP (S/P)
19	WH1X10060	KNOB & CLIP ASM (S/P)
19	WH1X10140	KNOB & CLIP ASM (S/P)
35	WH12X10225	CONTROLS ASM (S/P)
36	WH12X10114	CONNECTOR, MODEL SELECT (S/P)
41	WH1X10106	CLIP KNOB (S/P)
71	WH2X1205	SCR 8-18 B 1/2 HXW P (S/P)
72	WH46X337	PANEL BACK (S/P)
73	WH46X10080	COVER BOTTOM (S/P)
151	WH2X10126	SCR 8-18 B 1HW 1/2 SN (S/P)
556	WH12X497	HOUSING TERMINAL (S/P)
557	WH19X311	CORD POWER ASM (S/P)
627	WH12X10025	STRAIN RELIEF (S/P)
769	WB1X500	SCR 8-18 B HXW 1/4 S (S/P)
790	WH1X2036	CLAMP HOSE (S/P)
803	WH41X10077	HOSE & WATER INLET (S/P)
805	WH13X10024	VALVE ASM WATER (S/P)
807	WH2X42	HOSE WASHER (S/P)
808	WH41X10207	HOSE ASM INTAKE (S/P)
811	WH41X365	HOSE PRESSURE (S/P)
935	WD1X1434	TERMINAL SPECIAL (S/P)

Distribuidor Autorizado

SurteRápido.com

Venta de Refacciones
Electrodomesticas

WBSE3120B1WW GABINETE





WBSE3120B1WW GABINETE

198	WH1X2722	BUMPER LID (S/P)
200	WH1X10057	FUNNEL BLEACH (S/P)
204	WH1X2741	BUSHING HINGE (SINGLE) (S/P)
204	WH1X10138	BUSHING HINGE (S/P)
205	WH1X10025	BUSHING HINGE (DOUBLE) (S/P)
205	WH1X10137	BUSHING WIRE (S/P)
206	WH1X2740	WIREFORM HINGE (S/P)
207	WH1X2743	HINGE WIREFORM (LONG) (S/P)
208	WH1X2742	BUMPER HINGE (S/P)
209	WH2X1211	SCREW (S/P)
215	WH12X10092	MAGNET ASM (S/P)
216	WH2X10063	SCR 8-16 B FLP .625 ZN (S/P)
367	WH46X10226	WELD ASM ROD SUPPORT (S/P)
369	WH2X1217	SCR 8-18 AB IHW 7/16 SN (S/P)
370	WH1X2727	STRAP DAMPING (S/P)
371	WH1X2726	RETAINER STRAP (S/P)
373	WH2X10279	CLIP LOCKING (S/P)
375	WH46X10109	PANEL FRONT ASM WH (S/P)
375	WH46X10111	PANEL FRONT CC (S/P)
375	WH46X10109	PANEL FRONT WH (S/P)
377	WH46X344	BAR SHIPPING (S/P)
378	WH1X2745	BUTTON PLUG (S/P)
379	WH16X514	BRACE (S/P)
380	WH2X1207	CLIP GROUND (S/P)
381	WH2X1190	STUD GROUNDING (S/P)
383	WH2X1189	PIN ALIGNMENT (S/P)
384	WH1X10109	SCR 8-15 A 3/4 SP HXW (S/P)
385	WH1X10422	COVER CLIP (S/P)
386	WH46X342	BAR SELF LEVELING (S/P)
387	WH41X10036	CONDUIT (S/P)
388	WH12X10141	LID SWITCH ASM
390	WH1X2724	ISOLATOR (S/P)
391	WH44X10087	COVER ASM FINISHED CC (S/P)

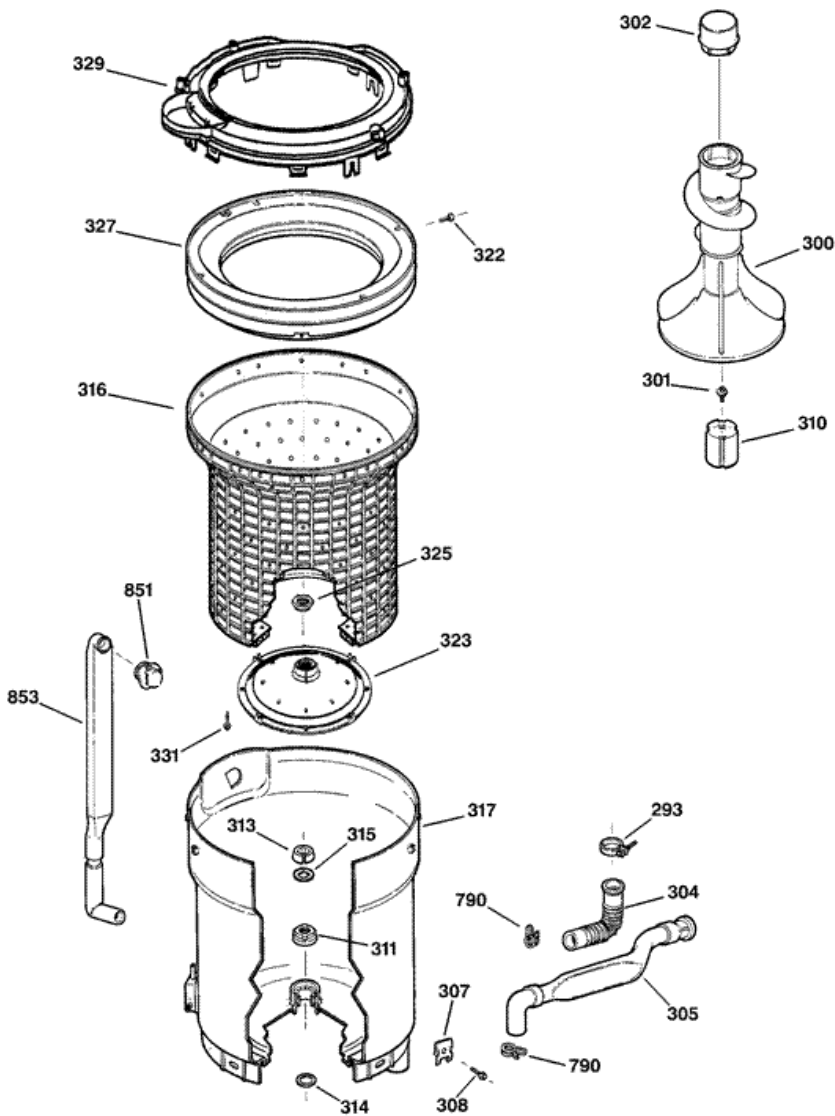
391	WH44X10027	COVER ASM FINISHED WH (S/P)
394	WH12X10276	LID ASM FINISHED (S/P)
394	WH44X10099	LID ASM FINISHED (S/P)
417	WH2X694	SCR 10-12 A HX 1/2 S (S/P)
418	WH2X10003	SCR 8-18 B IHW 1 S (S/P)
421	WH46X10079	BASE ASM (S/P)
431	WH2X1187	LEG LEVELING (S/P)
432	WH2X1188	PIN ROLL (S/P)
461	WZ5X158	SCREW 8-32X3/8 GRD SCR (S/P)
561	WH49X10017	PK PACK ASM INSTALLATION (S/P)
820	WH1X2725	CLIP ANTI-SIPHON (S/P)
825	WH41X10096	HOSE DRAIN EXTERNAL (S/P)
834	WH16X513	RETAINER HOSE
835	WH1X2594	STRAP (S/P)
836	WH2X10002	SCR 8-18 AB IHWP 7/8 S (S/P)

Distribuidor Autorizado

SurteRápido.com

Venta de Refacciones
Electrodomesticas

WBSE3120B1WW TINAS

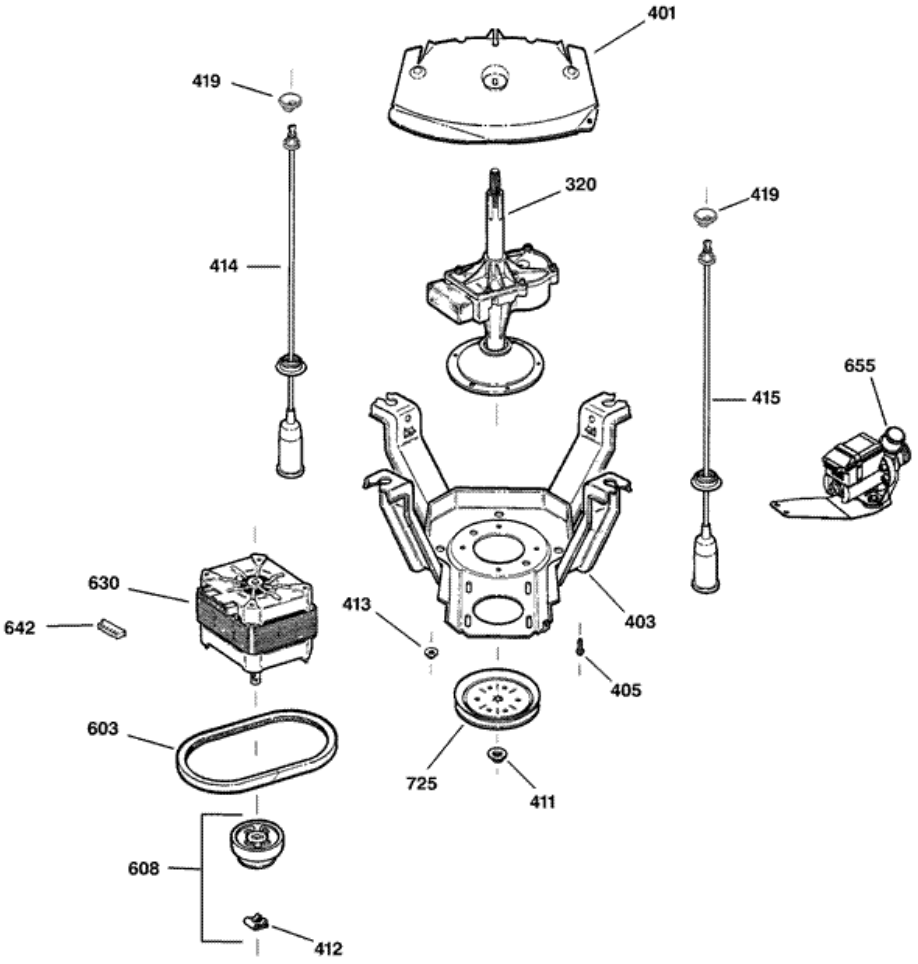




WBSE3120B1WW TINAS

293	WH1X10134	CLAMP HOSE (S/P)
300	WH43X10034	AGITATOR ASM MULTI (S/P)
301	WH49X10042	SCR 1/4-20 MCH 5/8 S (S/P)
302	WH43X10005	CAP AGITATOR SHORT (S/P)
304	WH41X10163	HOSE DRAIN INLET (TUB TO (S/P)
305	WH41X374	HOSE DRAIN ASM (S/P)
307	WH1X2730	CLAMP - TUB (S/P)
308	WH2X1209	SCR 5/16-18 TPT IHW S N (S/P)
310	WH49X10042	COUPLING AIR BELL (S/P)
311	WH2X10032	SEAL TUB (S/P)
313	WH2X10265	RING SPLIT (S/P)
314	WH2X1197	WASHER TUB BEARING (S/P)
315	WH2X1199	WASHER HUB (S/P)
316	WH45X10014	BASKET EXTRA LARGE (S/P)
317	WH45X10024	TUB ASM X-LARGE (S/P)
322	WH2X1194	SCREW (S/P)
323	WH45X10027	HUB (S/P)
325	WH2X1193	NUT HUB (S/P)
327	WH45X152	BALANCE RING ASM (S/P)
329	WH45X10022	COVER TUB (S/P)
331	WH2X10001	SCR 14-10 A TRT 7/8 S (S/P)
790	WH1X2036	CLAMP HOSE DESCONTINUADO
851	WH1X2729	GASKET FLOOD HEAD (S/P)
853	WH41X369	HOSE FLOOD (S/P)

WBSE3120B1WW TRANSMISION





WBSE3120B1WW TRANSMISION

320	WH38X10002	TRANSMISSION & BRAKE ASM
401	WH45X10046	SHIELD TUB (S/P)
403	WH17X10003	LEG & PLATFORM WELD ASM (S/P)
405	WH2X1201	SCR 1/4-20 B HXW 3/4 SNS (S/P)
411	WH2X1203	NUT PULLEY (S/P)
412	WH1X2733	CLIP CLUTCH SPRING (S/P)
413	WH2X1204	NUT MOTOR HEX (S/P)
414	WH16X544	ROD & SPRING ASM (S/P)
415	WH16X543	ROD & SPRING ASM (S/P)
419	WH1X10001	SOCKET ROD SUPPORT (S/P)
603	WH1X2026	BELT
608	WH5X256	CLUTCH ASM (S/P)
630	WH49X10035	MOTOR ASM 2 SPD KH-K (S/P)
642	WH12X1059	HOUSING SPECIAL (S/P)
655	WH23X10013	PUMP
725	WH7X126	PULLEY TRANSMISSION (S/P)