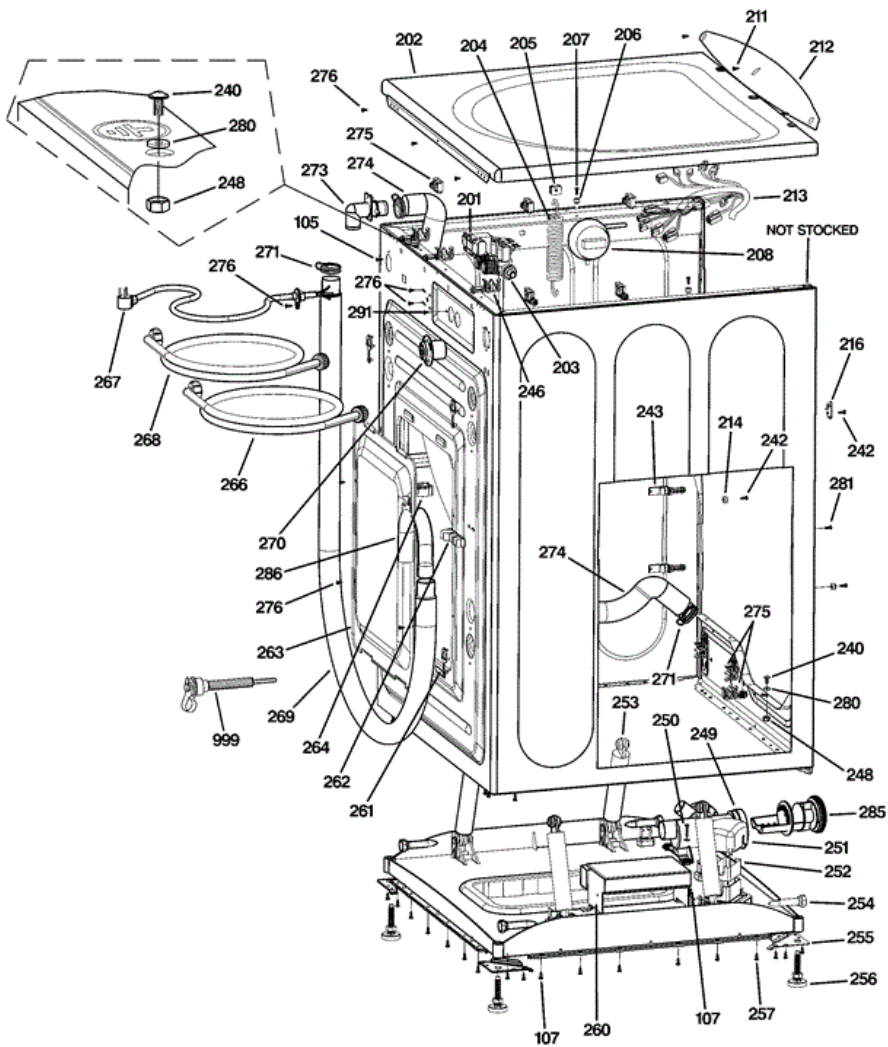


Distribuidor Autorizado

SurteRápido.com

Venta de Refacciones  
Electrodomesticas

## WBVH5200J0WW GABINETE



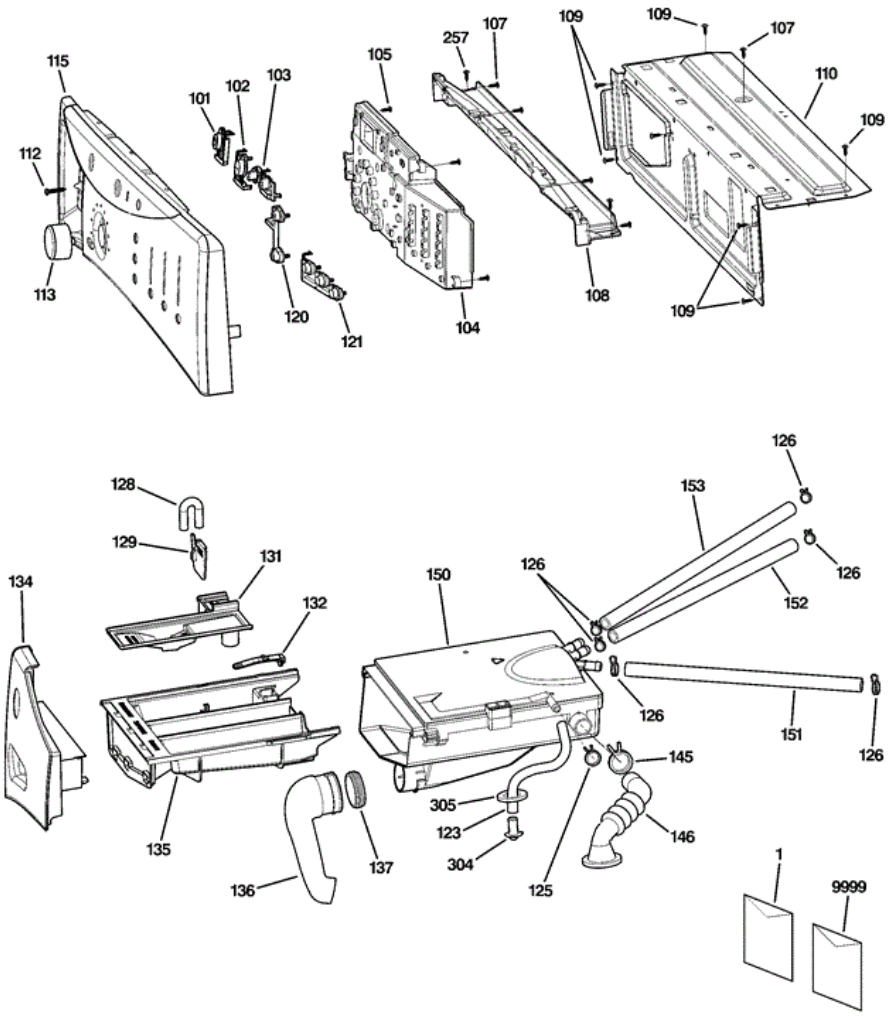


## WBVH5200J0WW GABINETE

105	WH02X10181	SCREW_ST3.5 X 11
107	WH02X10183	SCREW_ST4*13
201	WH41X10123	EMI_FILTER
202	WH44X10173	TOP PANEL ASM WW
203	WH13X10029	2 IN 3 OUT WATER VALVE
204	WH05X10009	SUSPENSION_SPRING
205	WH01X10251	SPRING_HANGER
206	WH01X10252	TOP_PANEL_PIN
207	WH02X10187	SCREW_ST 4.2X14
208	WH12X10307	PRESSURE_SWITCH
211	WH02X10188	SCREW ST4X11
212	WH44X10174	TOP DECORATION COVER WW
213	WH19X10050	WIRE HARNESS
214	WH01X10253	FRONT_PANEL_PIN
216	WH16X10073	FRONT_PANEL_HANGER
240	WH02X10198	SCREW_M5*12
242	WH02X10182	SCREW ST4.2*13
243	WH16X10074	WIRE_CATCH
246	WH16X10076	WIRE_CATCH
248	WH02X10199	NUT M5
249	WH23X10026	PUMP
250	WH02X10200	SCREW_WASHER_ST4*25
251	WH44X10176	WIRING_COVER
252	WH44X10177	INVERTER CONNECTORS SHIE
253	WH01X10343	DAMPER-SHOCK
254	WH01X10261	DAMPER PIN
255	WH16X10077	CONNER BRACKET
256	WH46X10130	LEG ASM
257	WH02X10201	SCREW_ST4.2*13
260	WH12X10335	INVERTER
261	WH44X10178	SHIPPING_SCREW_COVER
262	WH01X10262	OUTSIDE_DRAIN_HOSE_CATCH
263	WH46X10132	CABINET_REAR_COVER

264	WH01X10263	INSIDE_DRAIN_HOSE_CATCH
266	WH41X10124	MAIN_WATER_HOSE_COLD
267	WH19X10051	POWER CORD
268	WH41X10125	MAIN_WATER_HOSE_HOT
269	WH41X10126	OUTSIDE_DRAIN_HOSE
270	WH01X10264	VENT_HOSE_COUPLING
271	WH01X10265	DRAIN_HOSE_CLAMP
273	WH01X10266	DRAIN_HOSE_COUPLING
274	WH41X10127	INSIDE_DRAIN_HOSE
275	WH16X10078	WIRE_CATCH_1
276	WH02X10203	SCREW_ST4.2*11
280	WH02X10218	LOCK WASHER
281	WH02X10219	SCREW_ST4*10
285	WH23X10027	PUMP FILTER
286	WH41X10133	U SHAPE DRAIN HOSE
291	WH02X10251	SCREW M4*8
999	WH49X10047	KIT - SHIPPING BOLT

**WBVH5200J0WW TABLERO**



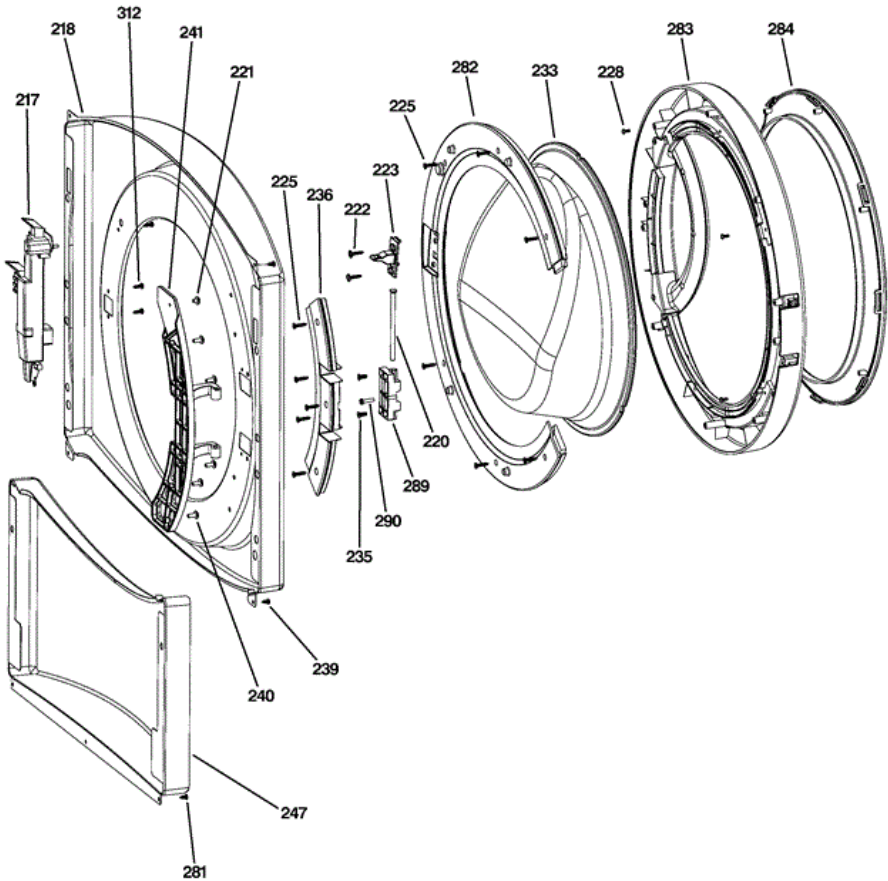


## WBVH5200J0WW TABLERO

101	WH01X10239	POWER BUTTON
102	WH01X10240	START PAUSE BUTTON
103	WH01X10241	CHILD LOCK BUTTON
104	WH12X10355	CONTROL BOARD ASM
105	WH02X10181	SCREW_ST3.5 X 11
107	WH02X10183	SCREW_ST4*13
108	WH16X10071	CONTROL_REAR_COVER
109	WH02X10184	SCREW_ST4.2 X 13
110	WH46X10122	FRONT TOP BRACKET
112	WH02X10185	SCREW_ST4*25
113	WH11X10041	SELECT CYCLE KNOB ASM
115	WH42X10721	CONTROL PANEL ASM WW
120	WH12X10379	RINSE BUTTON SILVER GREY
121	WH12X10306	SOIL_SPEED_TEMP_BUTTON
123	WH41X10137	SPRAY HOSE
125	WH01X10243	3_WAY_PIPE_CLAMP
126	WH01X10324	INLET PIPE CLAMP
128	WH41X10112	SIPHON_PIPE
129	WH41X10138	LIQUID DETERGENT INSERT
131	WH41X10155	SOFTENER BLEACH COVER
132	WH01X10245	DRAWER LATCH LEVEL
134	WH41X10140	DISPENSER DWR FRONT WW
135	WH41X10139	DRAWER DISPENSER
136	WH41X10118	WATER_INLET_PIPE
137	WH41X10119	DISPENSER_SEAL
145	WH01X10250	DISPENSER_VENT_HOSE_CLAM
146	WH41X10122	DISPENSER_VENT_HOSE
150	WH41X10141	MAIN BOX DIVERTER ASM
151	WH41X10156	MAIN INLET WATER HOSE
152	WH41X10157	BLEACH INLET WATER HOSE
153	WH41X10158	HOT INLET WATER HOSE
257	WH02X10201	SCREW_ST4.2*13
304	WH08X10021	GASKET_NOZZLE

305	WH02X10206	GASKET_NOZZLE_WASHER
9999	WE25X10018	KIT-STACKING WASH/DRYER

**WBVH5200J0WW PUERTA**





## WBVH5200J0WW PUERTA

217	WH10X10006	DOOR_LOCK
218	WH46X10149	FRONT PANEL WW
220	WH01X10319	HINGE DOOR SHORT PIN
221	WH02X10190	SCREW_M5*6
222	WH02X10191	SCREW_ST4*20
223	WH01X10356	DOOR PLUNGER
225	WH02X10192	SCREW_ST4*20
228	WH02X10193	SCREW_ST3.5*9.5
233	WH46X10150	DOOR GLASS
235	WH02X10194	SCREW_M5*12
236	WH44X10182	HINGE COVER
239	WH02X10197	SCREW_ST4.4*9.5
240	WH02X10198	SCREW_M5*12
241	WH01X10323	HINGE
247	WH46X10129	SERVICE PANEL WW
281	WH02X10219	SCREW_ST4*10
282	WH46X10185	DOOR COVER ASM
283	WH46X10167	DOOR FRAME - OUTER ASM
284	WH46X10127	PROTECT COVER & RING
289	WH01X10340	HINGE DOOR PLATE
290	WH02X10252	SCREW M4*17
312	WH02X10189	SCREW ST4*13

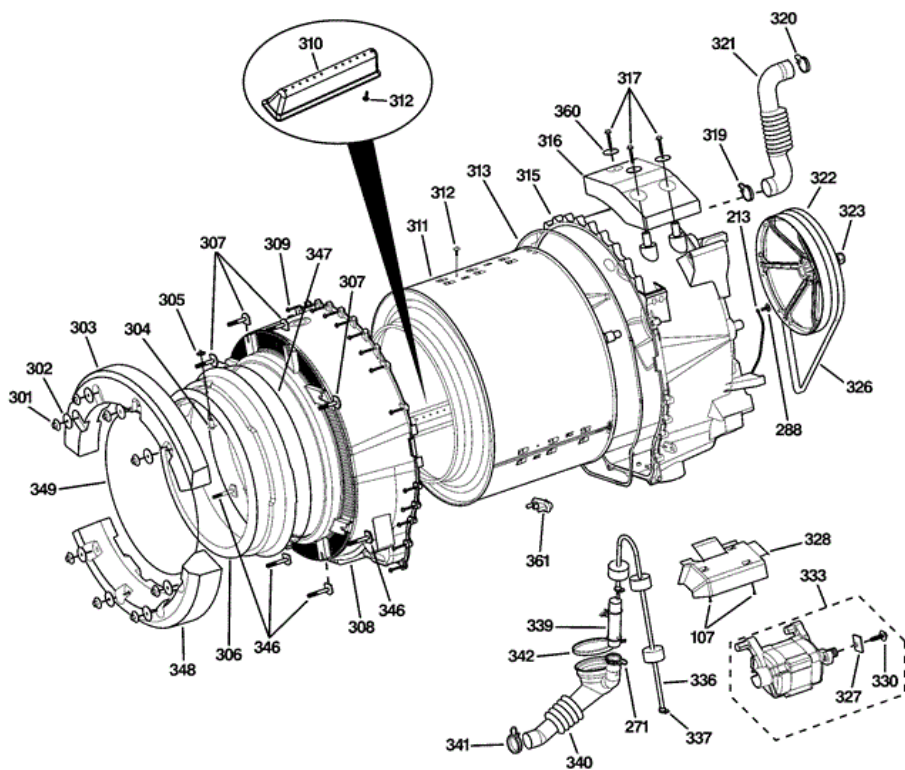


Distribuidor Autorizado

SurteRápido.com

Venta de Refacciones  
Electrodomesticas

WBVH5200J0WW TINA





## WBVH5200J0WW TINA

107	WH02X10183	SCREW_ST4*13
213	WH19X10050	WIRE HARNESS
271	WH01X10265	DRAIN_HOSE_CLAMP
288	WH02X10234	SCREW M5*12
301	WH02X10204	NUT_M8
302	WH02X10205	WASHER
303	WH01X10267	FRONT_TOP_COUNTERWEIGHT
304	WH08X10021	GASKET_NOZZLE
305	WH02X10206	GASKET_NOZZLE_WASHER
306	WH08X10022	GASKET
307	WH02X10207	BOLT M8*48
308	WH45X10069	FRONT_TUB
309	WH02X10208	SCREW_ST6*35
310	WH16X10079	BAFFLE
311	WH45X10079	BASKET ASM
312	WH02X10189	SCREW ST4*13
313	WH08X10023	TUB_SEAL
315	WH45X10071	REAR_TUB
316	WH01X10268	REAR_COUNTERWEIGHT
317	WH02X10210	SCREW_ST8*45
319	WH01X10270	BOTTOM_VENT_HOSE_CLAMP
320	WH01X10271	VENT_HOSE_CLAMP
321	WH41X10128	VENT_HOSE
322	WH07X10016	DRIVING_PULLEY_KIT
323	WH02X10211	NUT_M16
326	WH08X10024	DRIVING_BELT
327	WH02X10212	MOTOR_WASHER
328	WH16X10080	MOTOR_SHIELD
330	WH02X10213	FLANGE_BOLT_M8*35
333	WH20X10028	MOTOR_ASM_KIT
336	WH41X10129	AIR_PIPE
337	WH01X10273	PRESSURE_HOSE_CLAMP
339	WH41X10130	AIR_CHAMBER

340	WH41X10131	DRAIN_HOSE
341	WH01X10275	PUMP_CLAMP
342	WH01X10276	TUB DRAIN HOSE CLAMP
346	WH02X10216	BOLT 8X58
347	WH01X10277	GASKET INSIDE CLAMP
348	WH01X10278	FRONT BOTTOM COUNTERWEIG
349	WH01X10279	GASKET OUTSIDE CLAMP
360	WH02X10221	WASHER
361	WH12X10351	HEATER THERMISTOR