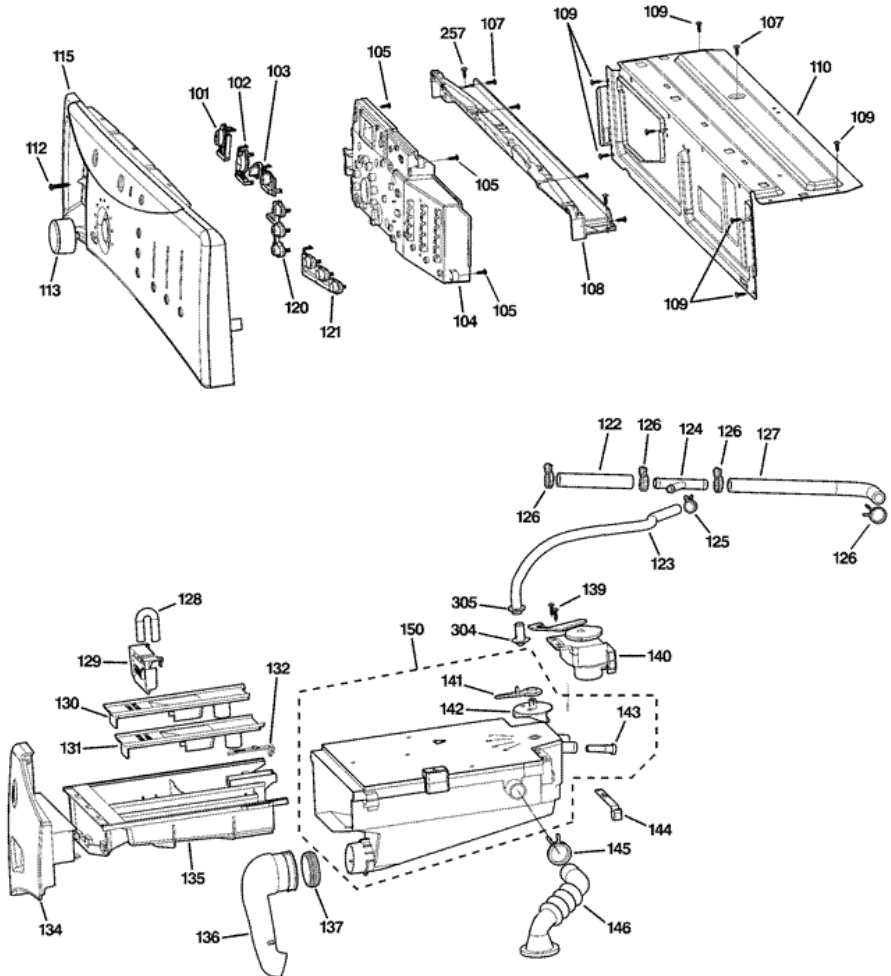


Distribuidor Autorizado

SurteRápido.com

Venta de Refacciones
Electrodomesticas

WBVH6240F0WW TABLERO





WBVH6240F0WW TABLERO

101	WH01X10239	POWER BUTTON (S/P)
102	WH01X10240	START PAUSE BUTTON (S/P)
103	WH01X10241	CHILD LOCK BUTTON (S/P)
104	WH12X10355	CONTROL BOARD ASSEMBLY (S/P)
105	WH02X10181	SCREW_ST3.5 X 11 (S/P)
107	WH02X10183	SCREW_ST4*13 (S/P)
108	WH16X10071	CONTROL_REAR_COVER (S/P)
109	WH02X10184	SCREW_ST4.2*13 (S/P)
110	WH46X10122	FRONT_TOP_BRACKET (S/P)
112	WH02X10185	SCREW_ST4*25 (S/P)
113	WH11X10041	SELECT_CYCLE_KNOB ASM (S/P)
115	WH42X10582	CONTROL PANEL ASM WW (S/P)
115	WH42X10583	CONTROL PANEL ASM GG (S/P)
120	WH12X10305	RINSE_BUTTON (S/P)
121	WH12X10306	SOIL_SPEED_TEMP_BUTTON (S/P)
122	WH41X10108	INLET_WATER_HOSE_1 (S/P)
123	WH41X10109	SPRAY_HOSE (S/P)
124	WH41X10110	3_WAY_PIPE (S/P)
125	WH01X10243	3_WAY_PIPE_CLAMP (S/P)
126	WH01X10244	3_WAY_PIPE_CLAMP (S/P)
127	WH41X10111	INLET_WATER_HOSE (S/P)
128	WH41X10112	SIPHON_PIPE (S/P)
129	WH41X10113	LIQUID_DETERGENT_INSERT (S/P)
130	WH41X10114	BLEACH_COVER (S/P)
131	WH41X10115	SOFTENER COVER (S/P)
132	WH01X10245	DRAWER LATCH LEVEL (S/P)
134	WH41X10177	DISPENSER DWR FRONT WW (S/P)
134	WH41X10154	DISPENSER DWR FRONT GG (S/P)
135	WH41X10117	DRAWER DISPENSER (S/P)
136	WH41X10118	WATER_INLET_PIPE (S/P)
137	WH41X10119	DISPENSER_SEAL (S/P)
139	WH02X10186	SCREW ST 4*20 (S/P)
140	WH43X10031	DIVERTER (S/P)

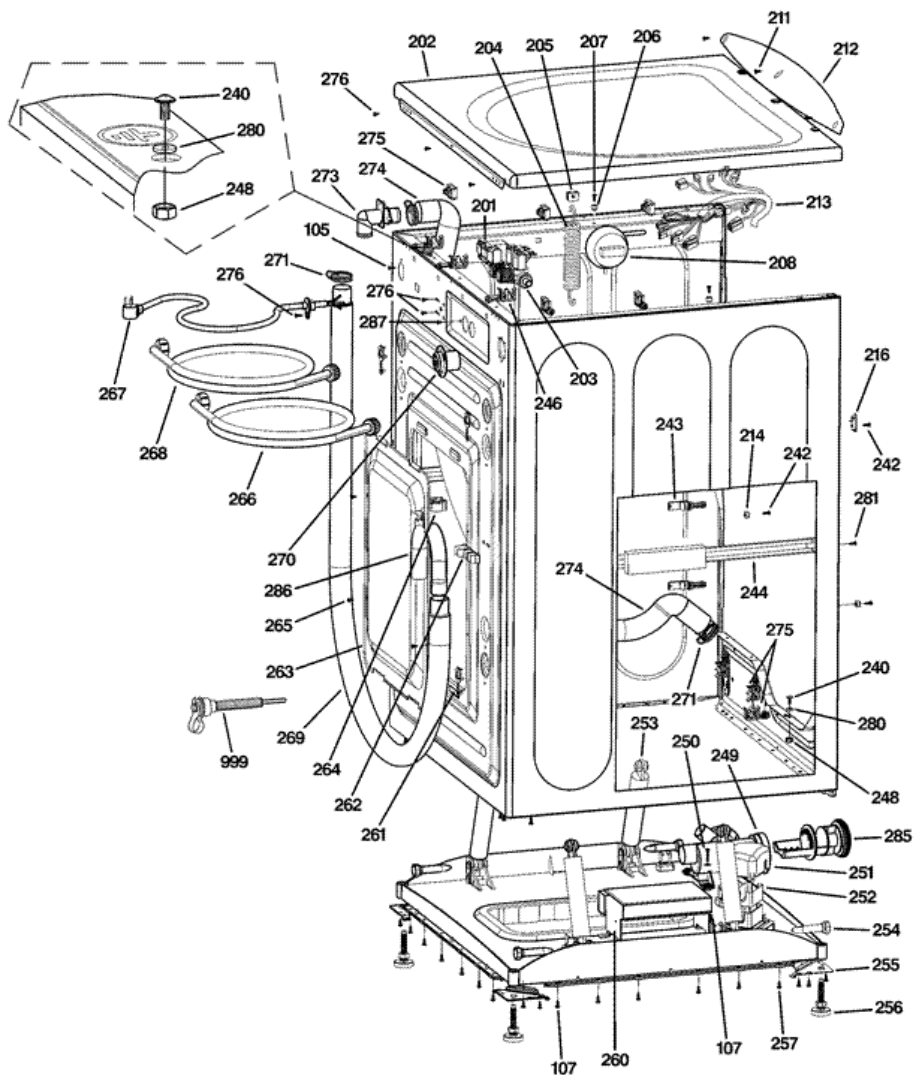
141	WH01X10247	DIVERTER_INDICATOR (S/P)
142	WH01X10248	DIVERTER_LEVEL_PLATE (S/P)
143	WH41X10121	DISPENSER_INLET (S/P)
144	WH01X10249	DISPENSER_CLAMP (S/P)
145	WH01X10250	DISPENSER_VENT_HOSE_CLAM (S/P)
146	WH41X10122	DISPENSER_VENT_HOSE (S/P)
150	WH41X10120	MAIN BOX DIVERTER ASM (S/P)
257	WH02X10201	SCREW_ST4.2*13 (S/P)
304	WH08X10021	GASKET_NOZZLE (S/P)
305	WH02X10206	GASKET_NOZZLE_WASHER (S/P)
9999	WE25X10018	KIT -STACKING WASH/DRYER (S/P)

Distribuidor Autorizado

SurteRápido.com

Venta de Refacciones
Electrodomesticas

WBVH6240F0WW GABINETE



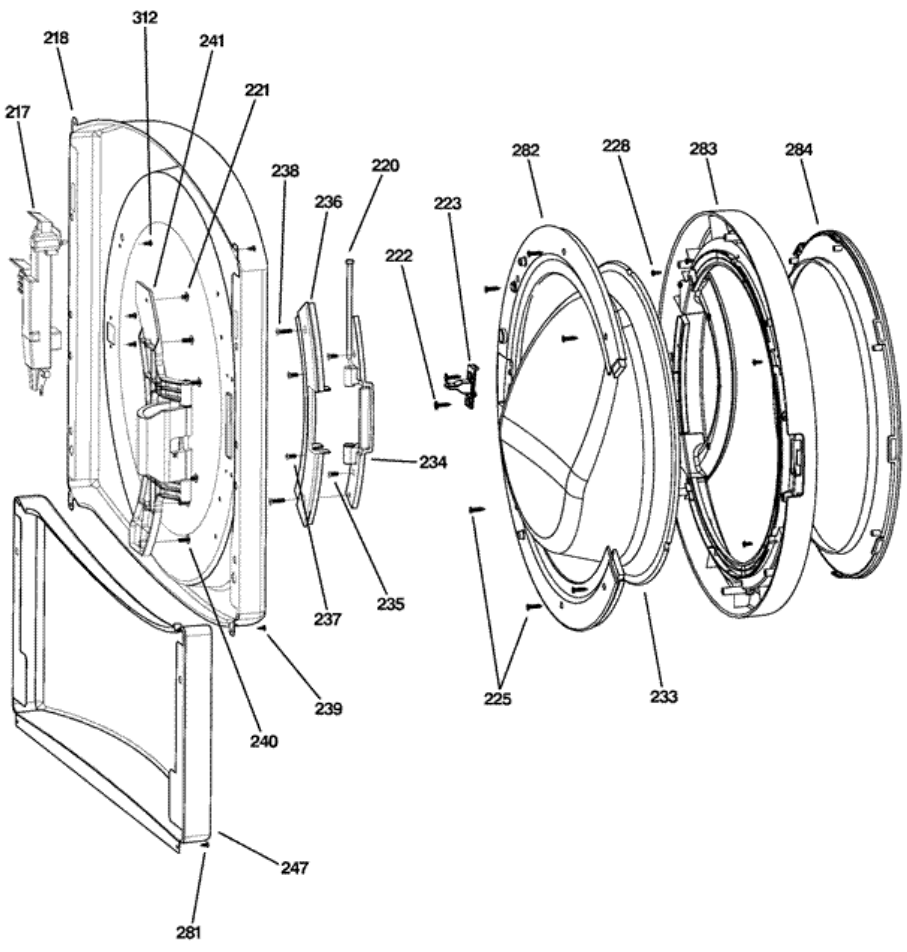


WBVH6240F0WW GABINETE

105	WH02X10181	SCREW_ST3.5 X 11 (S/P)
107	WH02X10183	SCREW_ST4*13 (S/P)
201	WH41X10123	EMI_FILTER (S/P)
202	WH44X10179	TOP PANEL ASM GG (S/P)
202	WH44X10173	TOP PANEL ASM WW (S/P)
203	WH13X10023	WATER VALVE (S/P)
204	WH05X10009	SUSPENSION_SPRING (S/P)
205	WH01X10251	SPRING_HANGER (S/P)
206	WH01X10252	TOP_PANEL_PIN (S/P)
207	WH02X10187	SCREW_ST 4.2X14 (S/P)
208	WH12X10307	PRESSURE_SWITCH (S/P)
211	WH02X10188	SCREW ST4X11 (S/P)
212	WH44X10180	TOP DECORATION COVER GG (S/P)
212	WH44X10174	TOP_DECORATION_COVER (S/P)
213	WH19X10047	WIRE_HARNESS (S/P)
214	WH01X10253	FRONT_PANEL_PIN (S/P)
216	WH16X10073	FRONT_PANEL_HANGER (S/P)
240	WH02X10198	SCREW_M5*12 (S/P)
242	WH02X10182	SCREW_ST4.2*13 (S/P)
243	WH16X10074	WIRE_CATCH (S/P)
244	WH16X10075	SIDE_BRACKET (S/P)
246	WH16X10076	WIRE_CATCH (S/P)
248	WH02X10199	NUT_M5 (S/P)
249	WH23X10028	PUMP (S/P)
250	WH02X10200	SCREW_WASHER_ST4*25 (S/P)
251	WH44X10176	WIRING_COVER (S/P)
252	WH44X10177	INVERTER CONNECTORS SHIE (S/P)
253	WH01X10343	DAMPER (S/P)
254	WH01X10261	DAMPER_PIN (S/P)
255	WH16X10077	CONNER BRACKET (S/P)
256	WH46X10130	LEG (S/P)
257	WH02X10201	SCREW_ST4.2*13 (S/P)
260	WH12X10418	INVERTER (S/P)

261	WH44X10178	SHIPPING_SCREW_COVER (S/P)
262	WH01X10262	OUTSIDE_DRAIN_HOSE_CATCH (S/P)
263	WH46X10132	CABINET_REAR_COVER (S/P)
264	WH01X10263	INSIDE_DRAIN_HOSE_CATCH (S/P)
265	WH02X10202	SCREW_ST4.2*9.5 (S/P)
266	WH41X10215	MAIN_WATER_HOSE_COLD DESCONTINUADO
267	WH19X10046	POWER_CORD (S/P)
268	WH41X10125	MAIN_WATER_HOSE_HOT (S/P)
269	WH41X10126	OUTSIDE_DRAIN_HOSE (S/P)
270	WH01X10264	VENT_HOSE_COUPLING (S/P)
271	WH01X10265	DRAIN_HOSE_CLAMP (S/P)
273	WH01X10266	DRAIN_HOSE_COUPLING (S/P)
274	WH41X10127	INSIDE_DRAIN_HOSE (S/P)
275	WH16X10078	WIRE_CATCH_1 (S/P)
276	WH02X10203	SCREW_ST4.2*11 (S/P)
280	WH02X10218	LOCK_WASHER (S/P)
281	WH02X10219	SCREW_ST4*10 (S/P)
285	WH23X10029	PUMP_FILTER (S/P)
286	WH41X10133	U SHAPE DRAIN_HOSE (S/P)
287	WH02X10220	SCREW_ST4.2*13 (S/P)
999	WH49X10047	KIT - SHIPPING BOLT (S/P)

WBVH6240F0WW PUERTA





WBVH6240F0WW PUERTA

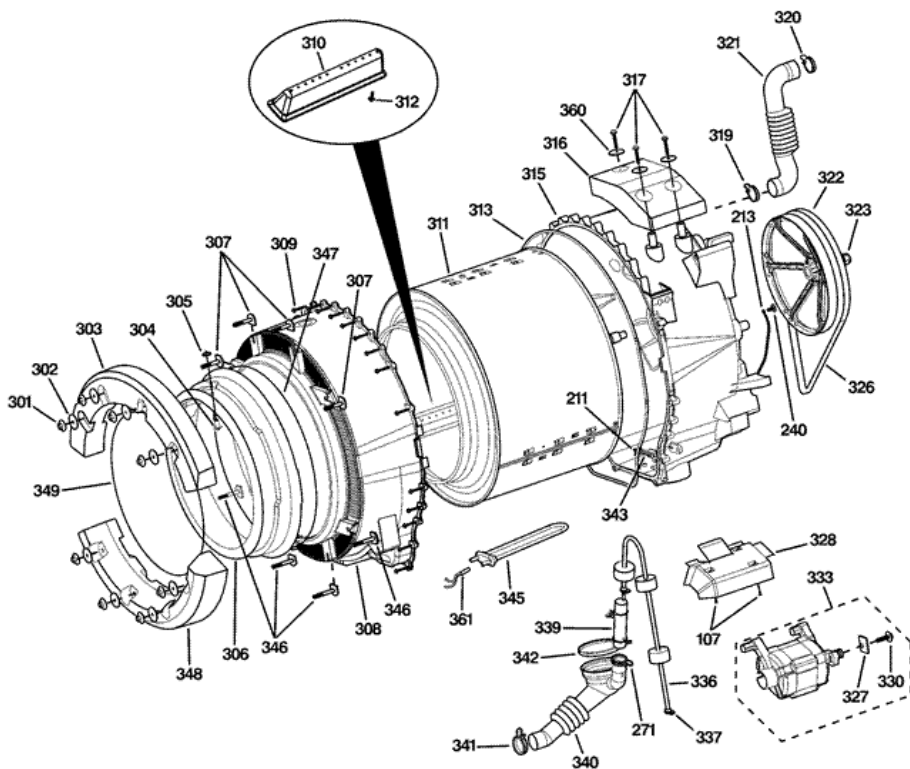
217	WH10X10006	DOOR_LOCK (S/P)
218	WH46X10123	FRONT_PANEL (S/P)
218	WH46X10133	FRONT PANEL GG (S/P)
220	WH01X10254	HINGE_DOOR_SHORT_PIN (S/P)
221	WH02X10190	SCREW_M5*6 (S/P)
222	WH02X10191	SCREW_ST4*20 (S/P)
223	WH01X10255	DOOR_PLUNGER (S/P)
225	WH02X10192	SCREW_ST4*20 (S/P)
228	WH02X10193	SCREW_ST3.5*9.5 (S/P)
233	WH46X10150	DOOR_GLASS (S/P)
234	WH01X10258	HINGE_DOOR_PLATE (S/P)
235	WH02X10194	SCREW_M5*12 (S/P)
236	WH44X10175	HINGE_COVER (S/P)
237	WH02X10195	SCREW_ST4.8*13 (S/P)
238	WH02X10196	SCREW_M5*20 (S/P)
239	WH02X10197	SCREW_ST4.4*9.5 (S/P)
240	WH02X10198	SCREW_M5*12 (S/P)
241	WH01X10259	HINGE (S/P)
247	WH46X10129	SERVICE_PANEL (S/P)
247	WH46X10134	SERVICE PANEL (S/P)
281	WH02X10219	SCREW_ST4*10 (S/P)
282	WH46X10124	DOOR COVER ASM (S/P)
283	WH46X10125	DOOR FRAME - OUTER ASM (S/P)
284	WH46X10127	PROTECT COVER & RING (S/P)
312	WH02X10189	SCREW ST4*13 (S/P)

Distribuidor Autorizado

SurteRápido.com

Venta de Refacciones
Electrodomesticas

WBVH6240F0WW TAMBOR



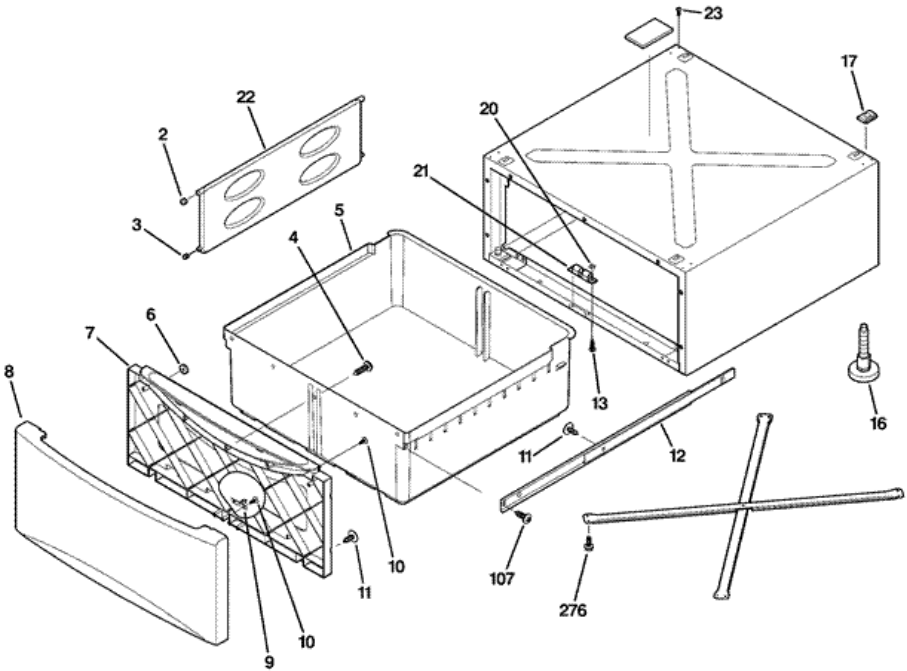


WBVH6240F0WW TAMBOR

107	WH02X10183	SCREW_ST4*13 (S/P)
211	WH02X10188	SCREW ST4X11 (S/P)
213	WH19X10047	WIRE_HARNESS (S/P)
240	WH02X10198	SCREW_M5*12 (S/P)
271	WH01X10265	DRAIN_HOSE_CLAMP (S/P)
301	WH02X10204	NUT_M8 (S/P)
302	WH02X10205	WASHER (S/P)
303	WH01X10267	FRONT_TOP_COUNTERWEIGHT (S/P)
304	WH08X10021	GASKET_NOZZLE (S/P)
305	WH02X10206	GASKET_NOZZLE_WASHER (S/P)
306	WH8X10036	GASKET
307	WH02X10207	BOLT M8*48 (S/P)
308	WH45X10069	FRONT_TUB (S/P)
309	WH02X10208	SCREW_ST6*35 (S/P)
310	WH16X10079	BAFFLE (S/P)
311	WH45X10079	BASKET_ASM (S/P)
312	WH02X10189	SCREW ST4*13 (S/P)
313	WH08X10023	TUB_SEAL (S/P)
315	WH45X10071	REAR_TUB (S/P)
316	WH01X10268	REAR_COUNTERWEIGHT (S/P)
317	WH02X10210	SCREW_ST8*45 (S/P)
319	WH01X10270	BOTTOM_VENT_HOSE_CLAMP (S/P)
320	WH01X10271	VENT_HOSE_CLAMP (S/P)
321	WH41X10128	VENT_HOSE (S/P)
322	WH07X10016	DRIVING_PULLEY_KIT (S/P)
323	WH02X10211	NUT_M16 (S/P)
326	WH08X10024	DRIVING_BELT (S/P)
327	WH02X10212	MOTOR_WASHER (S/P)
328	WH16X10080	MOTOR_SHIELD (S/P)
330	WH02X10213	FLANGE_BOLT_M8*35 (S/P)
333	WH20X10028	MOTOR_ASM_KIT (S/P)
336	WH41X10129	AIR_PIPE (S/P)
337	WH01X10273	PRESSURE_HOSE_CLAMP (S/P)

339	WH41X10130	AIR_CHAMBER (S/P)
340	WH41X10131	DRAIN_HOSE (S/P)
341	WH01X10275	PUMP_CLAMP (S/P)
342	WH01X10276	TUB DRAIN HOSE CLAMP (S/P)
343	WH16X10081	HEATER SUPPORT (S/P)
345	WH12X10309	HEATER (S/P)
346	WH02X10216	BOLT 8X58 (S/P)
347	WH01X10277	GASKET INSIDE CLAMP (S/P)
348	WH01X10278	FRONT BOTTOM COUNTERWEIG (S/P)
349	WH01X10279	GASKET OUTSIDE CLAMP (S/P)
360	WH02X10221	WASHER (S/P)
361	WH12X10310	HEATER THERMISTOR (S/P)

WBVH6240F0WW PEDESTAL





WBVH6240F0WW PEDESTAL

2	WH01X10281	CAP RUBBER LARGE (S/P)
3	WH01X10282	CAP RUBBER SMALL (S/P)
4	WH02X10222	SCREW ST4*16 (S/P)
5	WH44X10181	DRAWER PEDESTAL (S/P)
6	WH01X10283	BUMPER (S/P)
7	WH01X10284	HANDLE PEDESTAL WW (S/P)
7	WH01X10289	HANDLE PEDESTAL GG (S/P)
8	WH46X10136	PANEL FRONT GG (S/P)
8	WH46X10135	PANEL FRONT WW (S/P)
9	WH01X10285	PEDESTAL_PLUNGER (S/P)
10	WH02X10223	SCREW ST4*10 (S/P)
11	WH02X10224	SCREW ST3.5*11 (S/P)
12	WH16X10082	SLIDE ASSEMBLY (S/P)
13	WH02X10225	SCREW_M3*10 (S/P)
16	WH01X10286	PEDESTAL LEG ASM (S/P)
17	WH08X10025	PAD RUBBER (S/P)
20	WH01X10287	HEX_NUT M3 (S/P)
21	WH01X10288	LATCH (S/P)
22	WH16X10083	DIVIDER (S/P)
23	WH02X10232	SCREW_ST5.5*22 (S/P)
107	WH02X10183	SCREW_ST4*13 (S/P)
276	WH02X10203	SCREW_ST4.2*11 (S/P)