

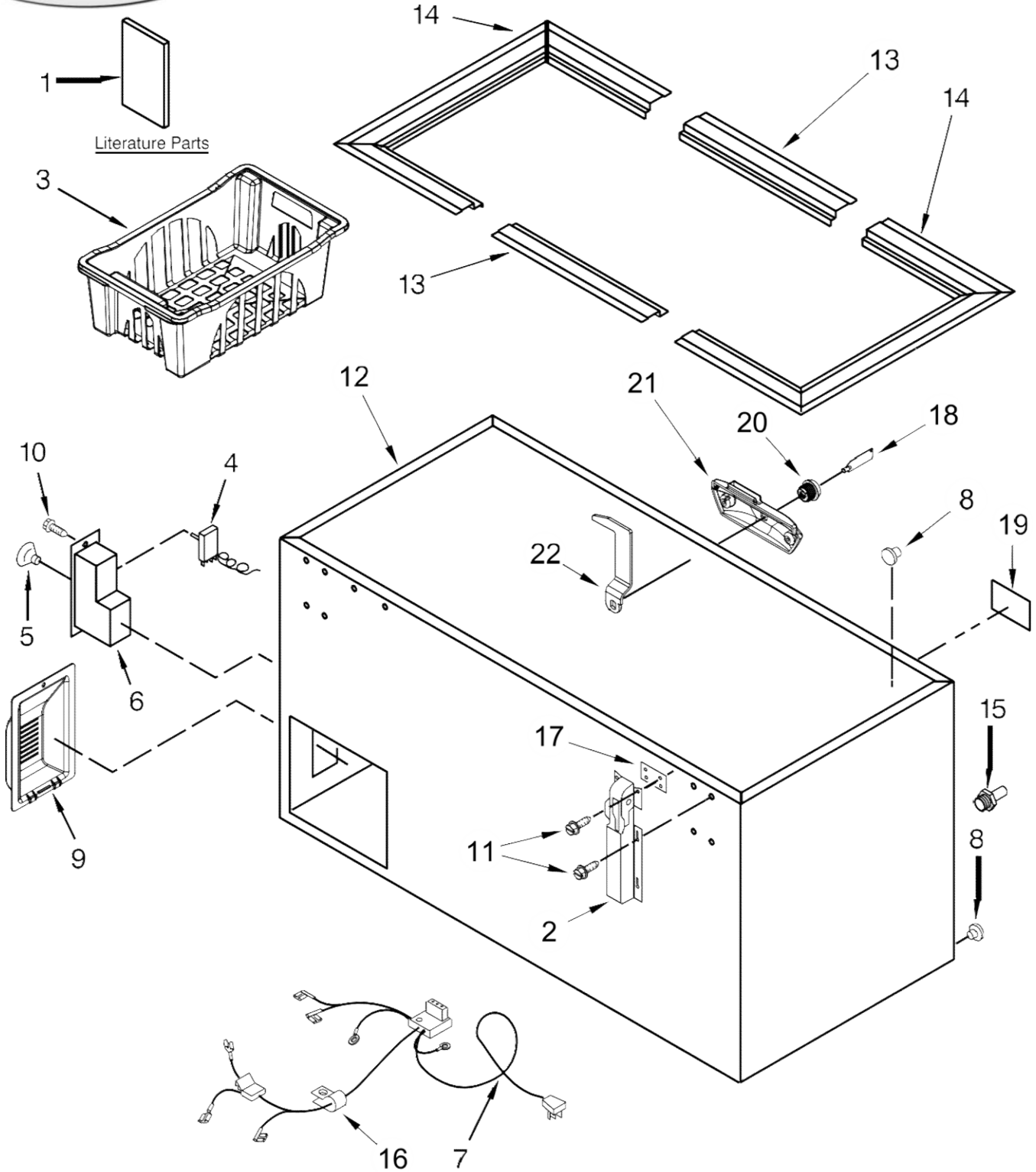


22 Cubic Foot Horizontal Chest Freezer

MODELS:

WC22014Q00 (White)

CONGELADOR WC22014Q00



CONGELADOR WC22014Q00

Illus.

<u>No.</u>	<u>Part No.</u>	<u>Description</u>
1		Literature Parts
	W10649227	Use & Care Guide
2	W10670142	Hinge Assembly
3	W10723246	Basket, Upper
4	4-35940-001	Thermostat
5	W10738934	Knob, Thermostat
6	W10682894	Control Box
7	W10631222	Wiring Harness
8	3-33211-001	Plug, Drain
9	W10574468	Panel, Access

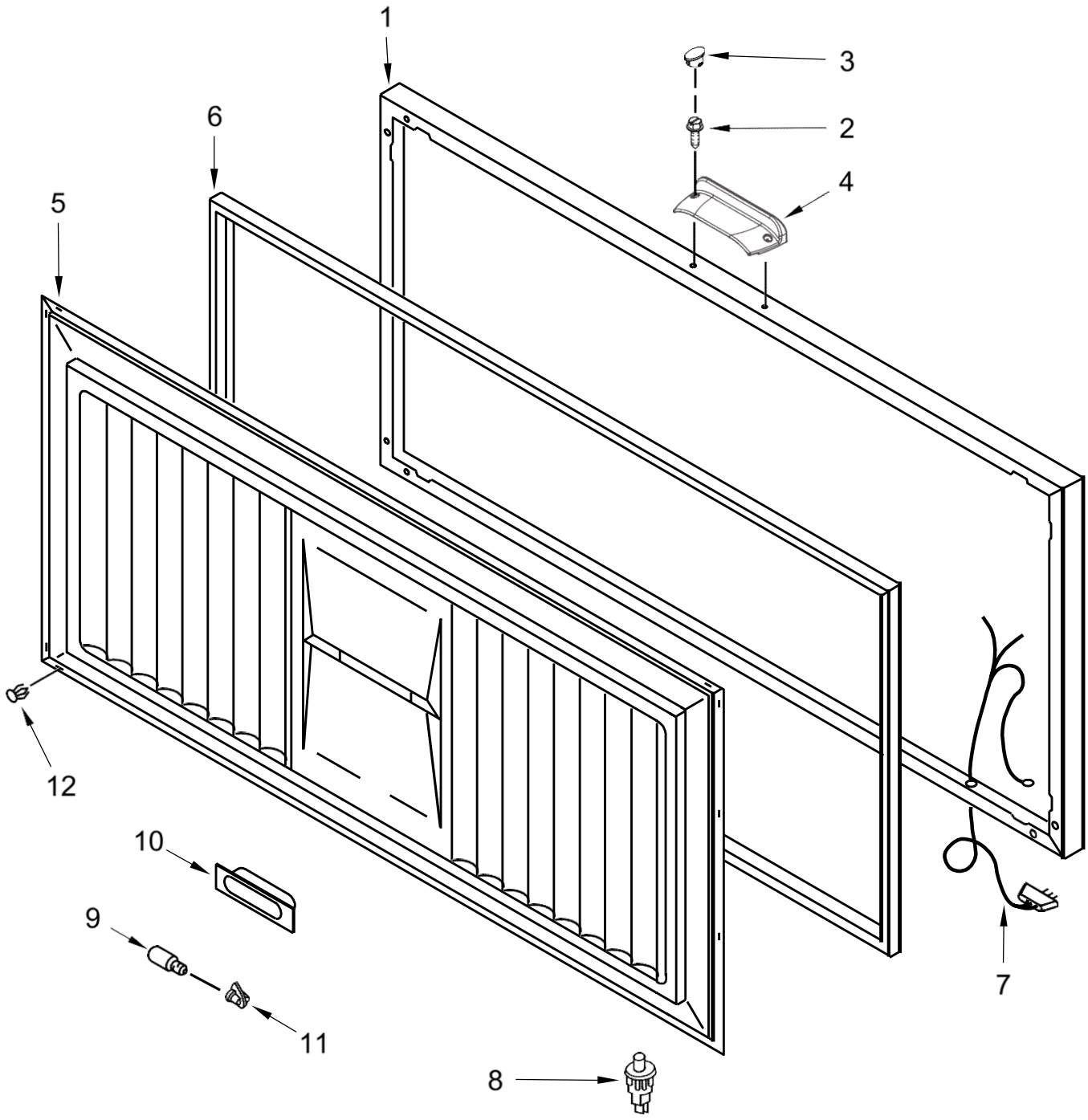
Illus.

<u>No.</u>	<u>Part No.</u>	<u>Description</u>
10	3-24004-049	Screw
11	3-24004-005	Screw
12		Cabinet (Not A Serviceable Part)
13	W10678082	Strip, Breaker
14	W10678015	Strip, End Breaker
15	1-33178	Adapter, Drain
16	W10303628	Clamp, Power Cord
17	1-17548-006	Spacer, Hinge
18	W10668135	Key

Illus.

<u>No.</u>	<u>Part No.</u>	<u>Description</u>
19		Nameplate
	W10481434	White
20	W10664016	Barrel, Lock
21	W10711162	Housing, Lock
22	W10714897	Latch, Lock

CONGELADOR WC22014Q00



Distribuidor Autorizado

SurteRápido.com

Venta de Refacciones
Electrodomesticas

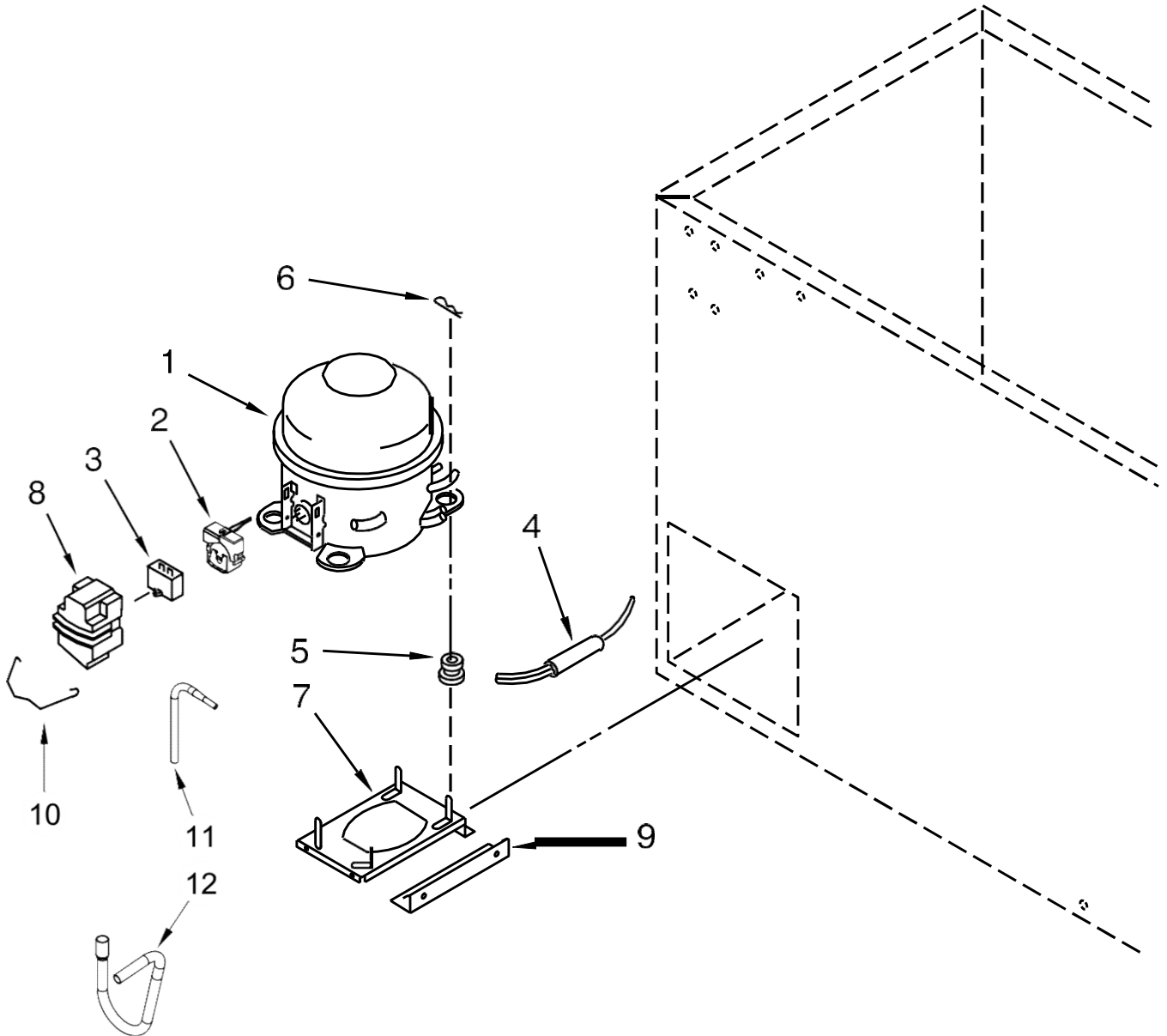
CONGELADOR WC22014Q00

<u>Illus.</u> <u>No.</u>	<u>Part No.</u>	<u>Description</u>
1	W10688624	Lid (Includes Insulation)
2	3-80732-007	Screw
3	W10712378	Cover, Screw Handle
4		Handle, Door
	W10711161	White

<u>Illus.</u> <u>No.</u>	<u>Part No.</u>	<u>Description</u>
5	W10688358	Liner, Door
6		Gasket, Door
	4-35260-006	White
7	W10628810	Wire Harness
8	3-35645-001	Switch, Light
9	1-24397-001	Bulb, Light

<u>Illus.</u> <u>No.</u>	<u>Part No.</u>	<u>Description</u>
10	3-25693-001	Reflector, Light
11	W10191429	Socket, Light
12	2-25702-007	Fastener

CONGELADOR WC22014Q00



Distribuidor Autorizado

SurteRápido.com

Venta de Refacciones
Electrodomesticas

CONGELADOR WC22014Q00

<u>Illus.</u> <u>No.</u>	<u>Part No.</u>	<u>Description</u>
1	W10591712	Compressor
2	W10448874	Device, Start
3	W10350564	Capacitor
4	W10709968	Drier
5	2183042	Grommet
6	W10563930	Clip, Compressor

<u>Illus.</u> <u>No.</u>	<u>Part No.</u>	<u>Description</u>
7	W10574602	Base, Compressor
8	W10574450	Shield, Capacitor
9	3-81556-001	Brace
10	W10574470	Bale Strap
11	W10721471	Discharge Tube

<u>Illus.</u> <u>No.</u>	<u>Part No.</u>	<u>Description</u>
12	W10721470	Suction Tube
		FOLLOWING PARTS NOT ILLUSTRATED REFRIGERANT CHARGE 6.35 oz. (R-134A)

OPTIONAL PARTS (NOT INCLUDED)

PAINT, TOUCH-UP (1/2OZ.)

<u>Illus.</u> <u>No.</u>	<u>Part No.</u>	<u>Description</u>
	72017	White
	72032	Black
	511873	White Porcelain (2 oz.)
	4392899	Biscuit/Bisque

PAINT, PRESSURIZED SPRAY (12 OZ.)

<u>Illus.</u> <u>No.</u>	<u>Part No.</u>	<u>Description</u>
	350930	White
	350939	Enamel, Black
	285006	Black
	350942	White Primer
	4392901	Biscuit/Bisque

PAINT, BULK (1 QT.)

<u>Illus.</u> <u>No.</u>	<u>Part No.</u>	<u>Description</u>
	799344	White

MISCELLANEOUS

<u>Illus.</u> <u>No.</u>	<u>Part No.</u>	<u>Description</u>
	212643	Sealer, Gum (4 Feet)
	479502	Tape, Vinyl (3/4 x 108")
	876370	Insulation (2 Pieces, 3" x 24" x 48")
	876305	Insulation Kit (14 Pieces, 3" x 24" x 48")
	978941	Insulation, Fiberglass (63 1/2" x 35 1/2" x 2 5/8")
	876029	Kit, Foam Slab (30" x 32 1/2" x 1 1/2")
	505587	Sealer, Mastic (1 Qt)
	503695	Cork, Sealer
	20000008	Cleaner, Stainless Steel
	542638	Grease, Silicone (1/2 Oz.)
	542639	Cement, Alumilastic (1 1/4 Oz.)
	833938	Kit, Terminal Connector

TORX SCREW WRENCH

<u>Illus.</u> <u>No.</u>	<u>Part No.</u>	<u>Description</u>
	1117510	Torx Key