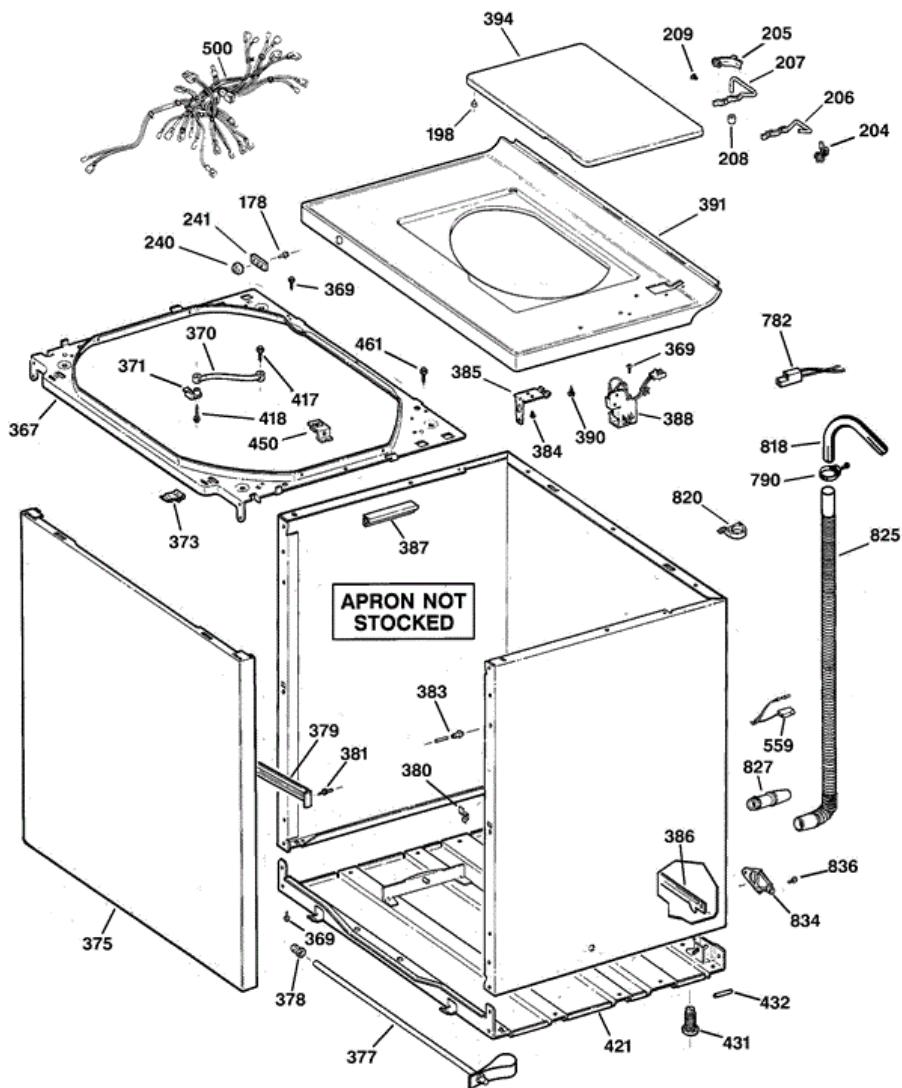


Distribuidor Autorizado

SurteRápido.com

Venta de Refacciones  
Electrodomesticas

## WCCB1030B0WC GABINETE





## WCCB1030B0WC GABINETE

178	WH02X0939	SCR 6-19 PT HX 1/4 S
198	WH01X2722	BUMPER LID
204	WH01X2741	BUSHING HINGE (SINGLE)
205	WH01X10025	BUSHING HINGE-FRONT OPEN
206	WH01X2783	WIREFORM HINGE
207	WH01X10033	WIREFORM HINGE
208	WH01X2742	BUMPER HINGE
209	WH02X1211	SCREW
240	WH01X2266	BUTTON PLUG
241	WH01X2268	RETAINER BUTTON
367	WH46X0364	WELD ASM ROD SUPPORT
369	WH02X1217	SCR 8-18 AB IHW 7/16 SN
370	WH01X10046	STRAP DAMPING
371	WH01X2726	RETAINER STRAP
373	WH02X10058	CLIP LOCKING
375	WH46X10043	PANEL ASM FRONT WH
375	WH46X10053	PANEL FRONT WH
377	WH46X0344	BAR SHIPPING
378	WH01X2745	BUTTON PLUG
379	WH16X0514	BRACE
380	WH02X1207	CLIP GROUND
381	WH02X1190	STUD GROUNDING
383	WH02X1189	PIN ALIGNMENT
384	WH01X10109	SCR 8-15 A 3/4 SP HXW
384	WH01X10170	SCR 6-20 B TRT 3/8 S
385	WH01X2723	COVER CLIP
386	WH46X0362	BAR SELF LEVELING
387	WH41X10036	CONDUIT
388	WH12X1051	LID SWITCH ASM
390	WH01X2724	ISOLATOR
391	WH44X1218	COVER ASM FINISHED WH
394	WH44X10014	LID ASM FINISHED
417	WH02X0694	SCR 10-12 A HX 1/2 S

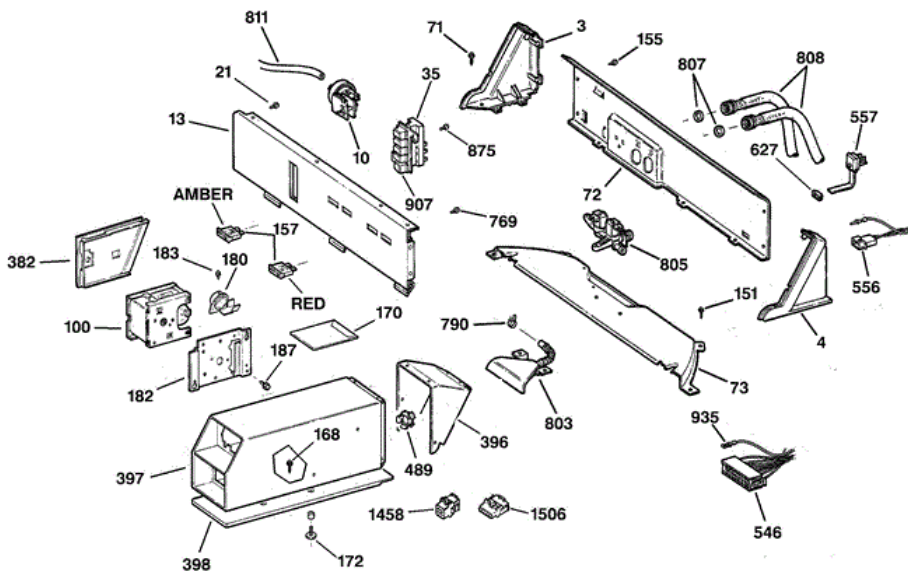
418	WH02X10003	SCR 8-18 B IHW 1 S
421	WH46X10024	BASE ASM
431	WH02X1187	LEG LEVELING
432	WH02X1188	PIN ROLL
450	WH16X0528	NUT BRACKET ASM
461	WZ05X0158	SCREW 8-32X3/8 GRD SCR
500	WH19X10003	HARNESS WASHER COIN OP
559	WH12X0538	HOUSING TERMINAL
561	WH49X10018	PK PACK ASM INSTALLATION
782	WB17X5060	TERMINAL BLK ASM (2 PIN)
790	WH01X2036	CLAMP HOSE
818	WH41X0035	NOZZLE DRAIN
820	WH01X2725	CLIP ANTI-SIPHON
825	WH41X10053	HOSE & SPRING ASM
827	WH41X10020	ADAPTER DRAIN HOSE
834	WH16X0513	RETAINER HOSE
836	WH02X10002	SCR 8-18 AB IHWP 7/8 S

Distribuidor Autorizado

**SurteRápido.com**

Venta de Refacciones  
Electrodomesticas

## WCCB1030B0WC TABLERO



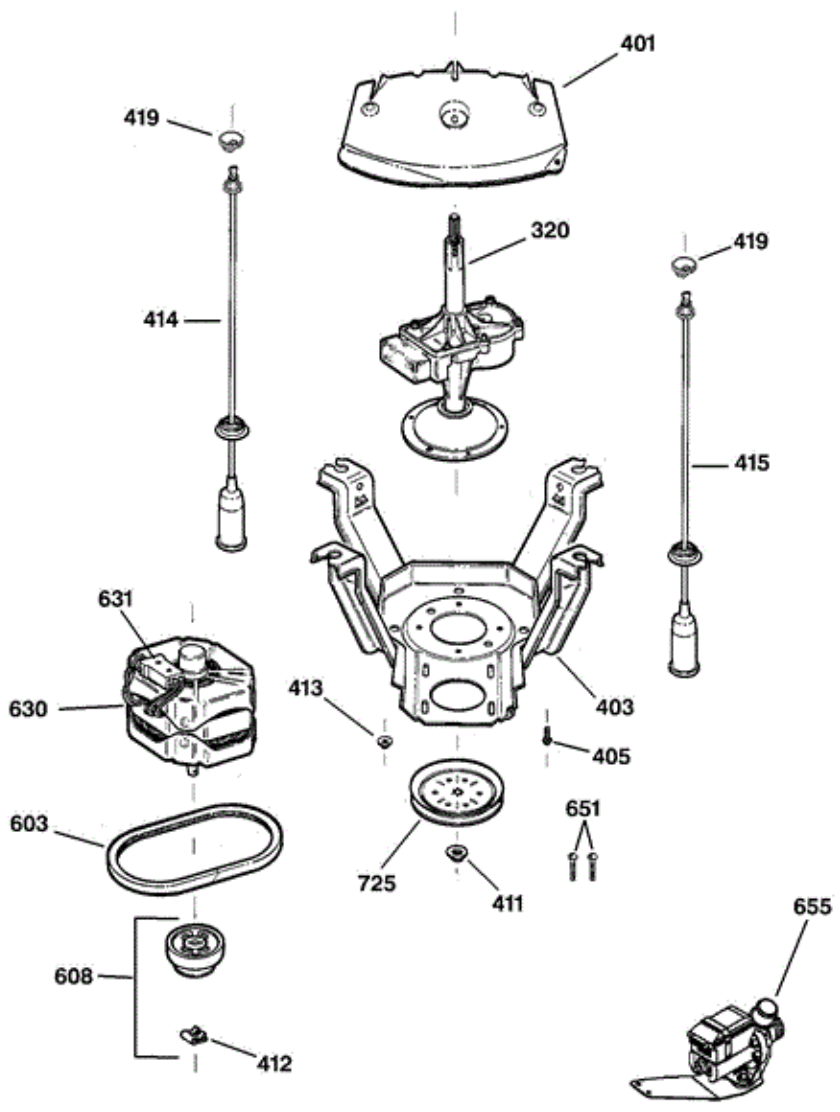


## WCCB1030B0WC TABLERO

3	WE19X1005	END CAP LH BK
4	WE19X1006	END CAP RH BK
10	WH12X10070	SWITCH PRESSURE
13	WH42X10192	CONTROL PANEL ASM
21	WH02X1185	SCR 8-18 B IHW 5/16 S
35	WH12X1050	SWITCH PUSHBUTTON ASM
71	WH02X1205	SCR 8-18 B 1/2 HXW P
72	WH46X10083	PANEL BACK
73	WH46X10080	COVER BOTTOM
100	WH12X10021	TIMER COIN-OP
151	WH02X10126	SCR 8-18 B 1HW 1/2 SN
155	WH02X1233	SCR 8-18 AB TRT 5/8 S
157	WE01X0950	LAMP ASM-AMBER
157	WH12X0624	LAMP ASM-RED
168	WZ02X0468	SCR 10-32 M HS 1/8 S
170	WH49X0264	PM ENVELOPE ASM LOCKDOWN
172	WH02X1234	SCR 1/4-20MAC PNT .95
180	* 72-33-4	CLUTCH ASM
182	* 74-05	BRACKET TIMER
183	8-32X5/16	SCREW-CAP
187	WH02X0946	SCR 10-32 M HXW 1/4 S
382	WH42X2507	DOOR METER CASE WH
396	WH42X2506	ADAPTER METER CASE WH
397	WH42X2508	METER CASE WH
398	WH08X10006	GASKET COIN BOX WASHER
489	WH01X2572	SLEEVE SPLIT
546	WH12X0870	HOUSING TERMINAL BK
556	WH12X0497	HOUSING TERMINAL
557	WH19X0305	CORD POWER ASM
627	WH12X10208	SELF LOCKING STRAIN RELF
769	WB01X0500	SCR 8-18 B HXW 1/4 S
790	WH01X2036	CLAMP HOSE
803	WH41X10037	HOSE & WATER INLET

805	WH13X0086	VALVE TRIPLE WATER
807	WH02X0042	HOSE WASHER
808	WH41X10019	HOSE INTAKE ASM
811	WH41X0365	HOSE PRESSURE SWITCH
875	WH02X0930	SCREW 8-18 AB HXW 3/8
907	WD09X0206	PUSHBUTTON
935	WD01X1434	TERMINAL SPECIAL
1458	WB17X5073	SINGLE TERM. CONNECTOR PKG.
1506	WB17X5059	HOUSING SOCKET PKG 9 PIN

**WCCB1030B0WC TRANSMISION**



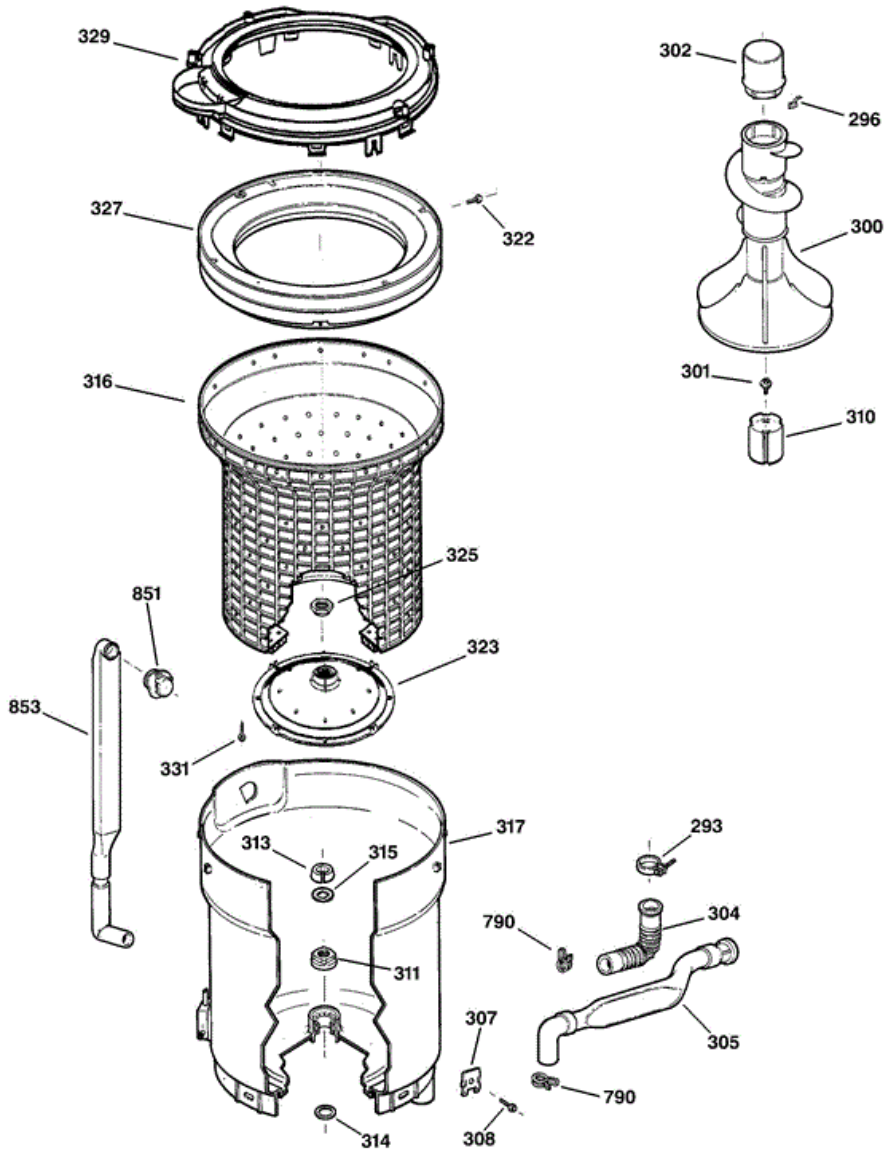


## WCCB1030B0WC TRANSMISION

320	WH38X10002	TRANSMISSION & BRAKE ASM
401	WH45X10046	SHIELD TUB
403	WH17X10003	LEG & PLATFORM WELD ASM
405	WH02X1201	SCR 1/4-20 B HXW 3/4 SNS
411	WH02X1203	NUT PULLEY
412	WH01X2733	CLIP CLUTCH SPRING
413	WH02X1204	NUT MOTOR HEX
414	WH16X0544	ROD & SPRING ASM
415	WH16X0543	ROD & SPRING ASM
419	WH01X10001	SOCKET ROD SUPPORT
603	WH01X2026	BELT
608	WH05X0253	CLUTCH ASM
630	WH20X10012	MOTOR ASM 1 SPEED
631	WH12X1068	SWITCH MOTOR START
651	WH02X10123	SCR 1/4-20 TPT 1H 1/2 SN
655	WH23X10013	PUMP
725	WH07X0126	PULLEY TRANSMISSION



**WCCB1030B0WC TINAS**





## WCCB1030B0WC TINAS

293	WH01X10134	CLAMP HOSE
296	WH01X2784	CLIP AGITATOR CAP
300	WH43X0142	AGITATOR ASM MULTI
301	WH02X10037	SCR 1/4-20 MCH 5/8 S
302	WH43X10005	CAP AGITATOR SHORT
304	WH41X0371	HOSE DRAIN INLET(TUB TO)
305	WH41X0374	HOSE DRAIN ASM
307	WH01X2730	CLAMP - TUB
308	WH02X1209	SCR 5/16-18 TPT IHW S N
310	WH43X10009	COUPLING AIR BELL
311	WH02X10032	SEAL TUB
313	WH02X1195	RING SPLIT
314	WH02X1197	WASHER TUB BEARING
315	WH02X1199	FLAT WASHER
316	WH45X10016	BASKET LARGE
317	WH45X10023	TUB ASM LARGE 2.7 CU FT
322	WH02X1194	SCREW
323	WH45X10027	HUB
325	WH02X1193	NUT HUB
327	WH45X0152	BALANCE RING ASM
329	WH45X10022	COVER TUB
331	WH02X10001	SCR 14-10 A TRT 7/8 S
790	WH01X2036	CLAMP HOSE
851	WH01X2729	GASKET FLOOD HEAD
853	WH41X0369	HOSE FLOOD