

Whirlpool

SERVICE

CENTRO DE SOLUCIONES



LO ORIGINAL MARCA DIFERENCIA

EXPLOSIONADO DE PARTES
-CONGELADORES
HORIZONTALES-
MODELO| WCF2105Q

acros

Whirlpool
CORPORATION

MAYTAG

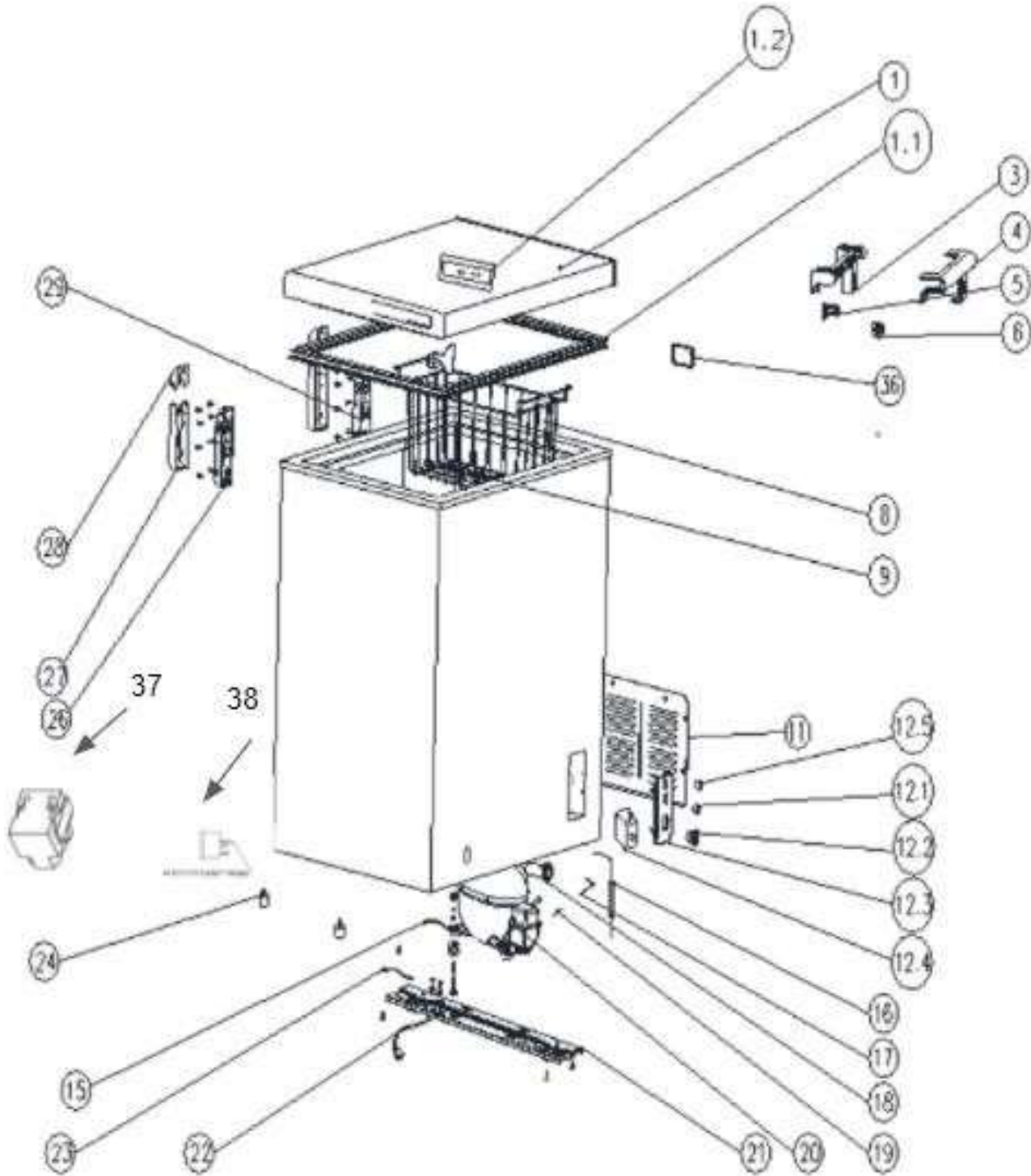
KitchenAid

Distribuidor Autorizado

SurteRápido.com

Venta de Refacciones
Electrodomesticas

CONGELADOR WCF2105Q



CONGELADOR WCF2105Q

| No. | Homa Code | Description of Spare Part | Quantity |
|------|-------------|--|----------|
| 1 | 2150110208 | Door / Puerta | 1 |
| 1.1 | 3020400249 | Door gasket / Empaue de puerta | 1 |
| 1.2 | 2500900006 | LED light assembly / Modulo Led | 1 |
| 3 | 2208100068 | Decorative cover of lock assembly, upper / Cubierta superior | 1 |
| 4 | 2208100069 | Decorative cover of lock assembly, lower / Cubierta inferior | 1 |
| 5 | 2305700020 | Lock assembly / Conjunto de bloqueo | 1 |
| 6 | 3039900354 | Lock support / Soporte de cerradura | 1 |
| 8 | 3039900254 | Food basket / Cesta de comida | 2 |
| 9 | 2207700028 | Drain-pipe plug / Tapón del tubo de drenaje | 1 |
| 11 | 2207700235 | Cover of compressor / Cubierta de compresor | 1 |
| 12.1 | 3050500015 | Indicator light / Indicador de Luz | 1 |
| 12.2 | 2207100023 | Thermostat knob / Perilla de termostato | 1 |
| 12.3 | 2207100266 | Thermostat display panel / Panel de termostato | 1 |
| 12.4 | 3040200055 | Thermostat / Termostato | 1 |
| 12.5 | 2208100046 | Decorative cover of display panel / Cubierta de panel | 1 |
| 15 | 3050200095 | Earthing wire of compressor / Cable de tierra del compresor | 1 |
| 16 | 3040500011 | Drier filter / Filtro | 1 |
| 17 | 20114070006 | Connecting tube / Tubo conector | 1 |
| 18 | 2207700052 | Drain-pipe decorative cover / Cubierta decorativa para tubo de desagüe | 1 |
| 19 | 3040600005 | Process tube / Tubo de proceso | 1 |
| 20 | 3040100302 | Compressor / Compresor | 1 |
| 21 | 20105050013 | Compressor base support / Base de compresor | 1 |
| 22 | 3050100142 | Power supply cord plug / Enchufe del cable de alimentación | 1 |
| 23 | 2500200003 | Connecting wire of compressor / Cable del compresor | 1 |
| 24 | 20122990812 | Rueda de desplazamiento | 2 |
| 26 | 3031400173 | Door hinge assembly, left / Bisagra de puerta izquierda | 1 |
| 27 | 3039900311 | Cover of door hinge, lower / Bisagra inferior | 2 |
| 28 | 3039900310 | Cover of door hinge, upper / Bisagra superior | 2 |
| 29 | 3031400174 | Door hinge assembly, right / Bisagra de puerta derecha | 1 |
| 36 | 20122990669 | Light wire cover / Cubierta de cable de luz | 1 |
| 37 | 2400100603 | PTC starter/Arrancador | 1 |
| 38 | 3990100260 | Termico | 1 |
| 300 | TBC | Trademark / Marca comercial | 1 |
| 301 | TBC | Carton / Carton | 1 |