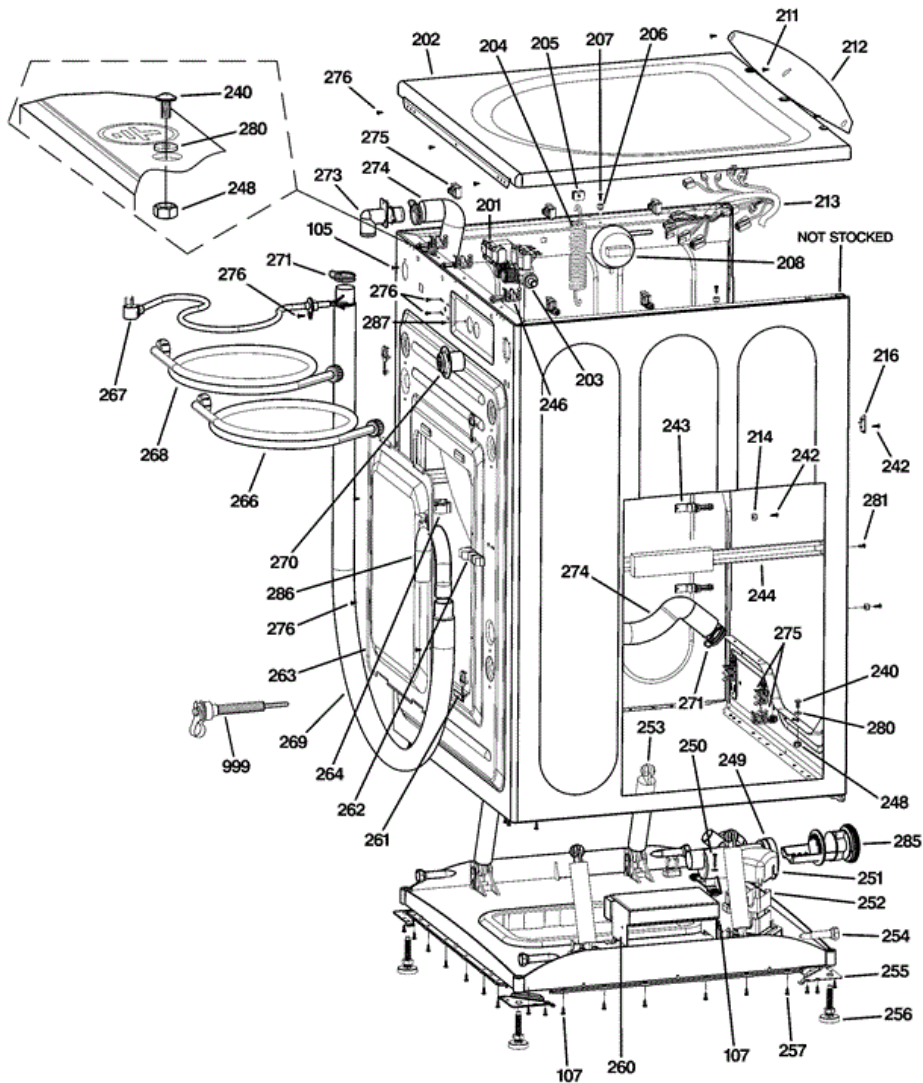


Distribuidor Autorizado

SurteRápido.com

Venta de Refacciones
Electrodomesticas

WCVH6800J1MS GABINETE





WCVH6800J1MS GABINETE

105	WH02X10181	SCREW_ST3.5 X 11
107	WH02X10183	SCREW_ST4*13
201	WH41X10123	EMI_FILTER
202	WH44X10173	TOP PANEL ASM WW
202	WH44X10184	TOP PANEL ASM BB
202	WH44X10191	TOP PANEL ASM MB
202	WH44X10193	TOP PANEL ASM MS
202	WH44X10197	TOP PANEL ASM MR
203	WH13X10023	WATER VALVE
204	WH05X10009	SUSPENSION_SPRING
205	WH01X10251	SPRING_HANGER
206	WH01X10252	TOP_PANEL_PIN
207	WH02X10187	SCREW_ST 4.2X14
208	WH12X10307	PRESSURE_SWITCH
211	WH02X10188	SCREW ST4X11
212	WH44X10174	TOP DECORATION COVER WW
212	WH44X10183	TOP DECORATION COVER BB
212	WH44X10190	TOP DECORATION COVER MB
212	WH44X10192	TOP DECORATION COVER MS
212	WH44X10196	TOP DECORATION COVER MR
213	WH19X10047	WIRE_HARNESS
214	WH01X10253	FRONT_PANEL_PIN
216	WH16X10073	FRONT_PANEL_HANGER
240	WH02X10198	SCREW_M5*12
242	WH02X10182	SCREW ST4.2*13
243	WH16X10074	WIRE_CATCH
244	WH16X10075	SIDE_BRACKET
246	WH16X10076	WIRE_CATCH
248	WH02X10199	NUT_M5
249	WH23X10028	PUMP
250	WH02X10200	SCREW_WASHER_ST4*25
251	WH44X10176	WIRING_COVER
252	WH44X10177	INVERTER CONNECTORS SHIE

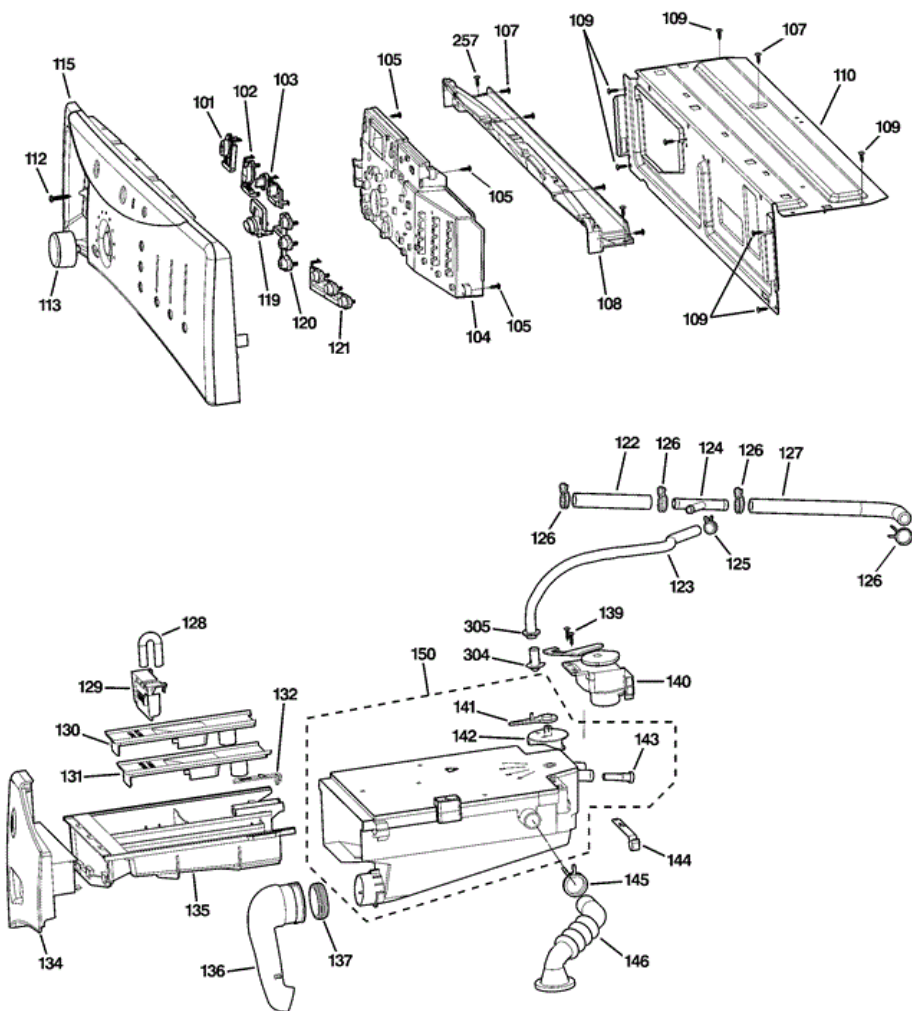
253	WH01X10425	DAMPER - SHOCK
254	WH01X10261	DAMPER PIN
255	WH16X10077	CONNER BRACKET
256	WH46X10130	LEG ASM
257	WH02X10201	SCREW_ST4.2*13
260	WH12X10400	INVERTER
261	WH44X10178	SHIPPING_SCREW_COVER
262	WH01X10262	OUTSIDE_DRAIN_HOSE_CATCH
263	WH46X10132	CABINET_REAR_COVER
264	WH01X10263	INSIDE_DRAIN_HOSE_CATCH
266	WH41X10124	MAIN_WATER_HOSE_COLD
267	WH19X10046	POWER_CORD
268	WH41X10125	MAIN_WATER_HOSE_HOT
269	WH41X10126	OUTSIDE_DRAIN_HOSE
270	WH01X10264	VENT_HOSE_COUPLING
271	WH01X10265	DRAIN_HOSE_CLAMP
273	WH01X10266	DRAIN_HOSE_COUPLING
274	WH41X10127	INSIDE_DRAIN_HOSE
275	WH16X10078	WIRE_CATCH_1
276	WH02X10203	SCREW_ST4.2*11
280	WH02X10218	LOCK WASHER
281	WH02X10219	SCREW_ST4*10
285	WH23X10029	PUMP FILTER
286	WH41X10133	U SHAPE DRAIN HOSE
287	WH02X10220	SCREW_ST4.2*13
999	WH49X10047	KIT - SHIPPING BOLT

Distribuidor Autorizado

SurteRápido.com

Venta de Refacciones
Electrodomesticas

WCVH6800J1MS TABLERO



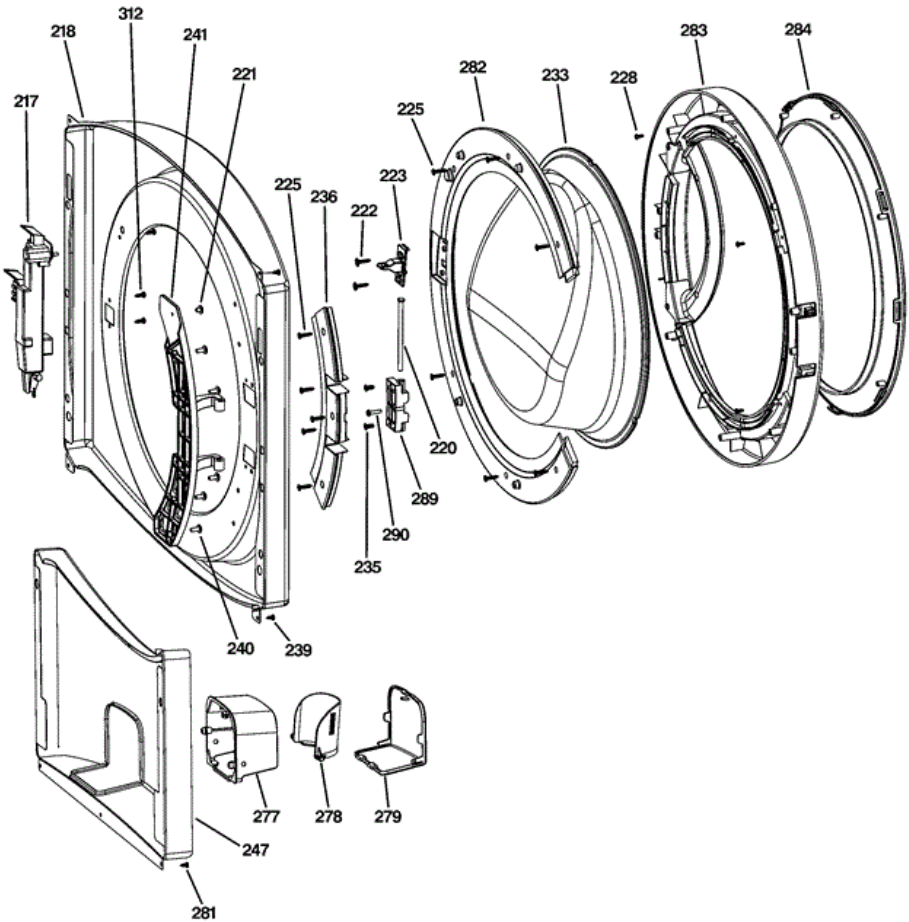


WCVH6800J1MS TABLERO

101	WH01X10239	POWER BUTTON
102	WH01X10240	START PAUSE BUTTON
103	WH01X10241	CHILD LOCK BUTTON
104	WH12X10380	CONTROL BOARD ASM
105	WH02X10181	SCREW_ST3.5 X 11
107	WH02X10183	SCREW_ST4*13
108	WH16X10071	CONTROL_REAR_COVER
109	WH02X10184	SCREW_ST4.2 X 13
110	WH46X10122	FRONT TOP BRACKET
112	WH02X10185	SCREW_ST4*25
113	WH11X10054	SELECT CYCLE KNOB
115	WH42X10766	CONTROL PANEL ASM BB
115	WH42X10768	CONTROL PANEL ASM MB
115	WH42X10769	CONTROL PANEL ASM MR
115	WH42X10770	CONTROL PANEL ASM MS
115	WH42X10771	CONTROL PANEL ASM WW
119	WH12X10304	MY-CYCLE_BUTTON
120	WH12X10305	RINSE_BUTTON
121	WH12X10306	SOIL_SPEED_TEMP_BUTTON
122	WH41X10108	INLET_WATER_HOSE_1
123	WH41X10109	SPRAY_HOSE
124	WH41X10110	3_WAY_PIPE
125	WH01X10243	3_WAY_PIPE_CLAMP
126	WH01X10244	3_WAY_PIPE_CLAMP
127	WH41X10111	INLET_WATER_HOSE
128	WH41X10112	SIPHON_PIPE
129	WH41X10113	LIQUID_DETERGENT_INSERT
130	WH41X10114	BLEACH_COVER
131	WH41X10115	SOFTENER COVER
132	WH01X10245	DRAWER LATCH LEVEL
134	WH41X10173	DISPENSER DWR FRONT MR
134	WH41X10174	DISPENSER DWR FRONT BB
134	WH41X10175	DISPENSER DWR FRONT MB

134	WH41X10176	DISPENSER DWR FRONT MS
134	WH41X10177	DISPENSER DWR FRONT WW
135	WH41X10117	DRAWER DISPENSER
136	WH41X10118	WATER_INLET_PIPE
137	WH41X10119	DISPENSER_SEAL
139	WH02X10186	SCREW ST 4*20
140	WH43X10031	DIVERTER
141	WH01X10247	DIVERTER_INDICATOR
142	WH01X10248	DIVERTER_LEVEL_PLATE
143	WH41X10121	DISPENSER_INLET
144	WH01X10249	DISPENSER_CLAMP
145	WH01X10250	DISPENSER_VENT_HOSE_CLAM
146	WH41X10122	DISPENSER_VENT_HOSE
150	WH41X10120	MAIN BOX DIVERTER ASM
257	WH02X10201	SCREW_ST4.2*13
304	WH08X10021	GASKET_NOZZLE
305	WH02X10206	GASKET_NOZZLE_WASHER

WCVH6800J1MS PUERTA





WCVH6800J1MS PUERTA

217	WH10X10006	DOOR_LOCK
218	WH46X10149	FRONT PANEL WW
218	WH46X10160	FRONT PANEL BB
218	WH46X10176	FRONT PANEL MB
218	WH46X10178	FRONT PANEL MS
218	WH46X10196	FRONT PANEL MR
220	WH01X10319	HINGE DOOR SHORT PIN
221	WH02X10190	SCREW_M5*6
222	WH02X10191	SCREW_ST4*20
223	WH01X10356	DOOR PLUNGER
225	WH02X10192	SCREW_ST4*20
228	WH02X10193	SCREW_ST3.5*9.5
233	WH46X10128	DOOR_GLASS
235	WH02X10194	SCREW_M5*12
236	WH44X10182	HINGE COVER
239	WH02X10197	SCREW_ST4.4*9.5
240	WH02X10198	SCREW_M5*12
241	WH01X10323	HINGE
247	WH46X10188	SERVICE PANEL WW
247	WH46X10189	SERVICE PANEL BB
247	WH46X10191	SERVICE PANEL MB
247	WH46X10192	SERVICE PANEL MS
247	WH46X10197	SERVICE PANEL MR
277	WH01X10358	PUMP ACCESS SHROUD
278	WH01X10359	PUMP DRAIN CHANNEL
279	WH01X10357	PUMP ACCESS DOOR WW
279	WH01X10362	PUMP ACCESS DOOR MS
279	WH01X10363	PUMP ACCESS DOOR MB
279	WH01X10365	PUMP ACCESS DOOR BB
279	WH01X10367	PUMP ACCESS DOOR MR
281	WH02X10219	SCREW_ST4*10
282	WH46X10185	DOOR COVER ASM
283	WH46X10159	DOOR FRAME-OUTER ASM

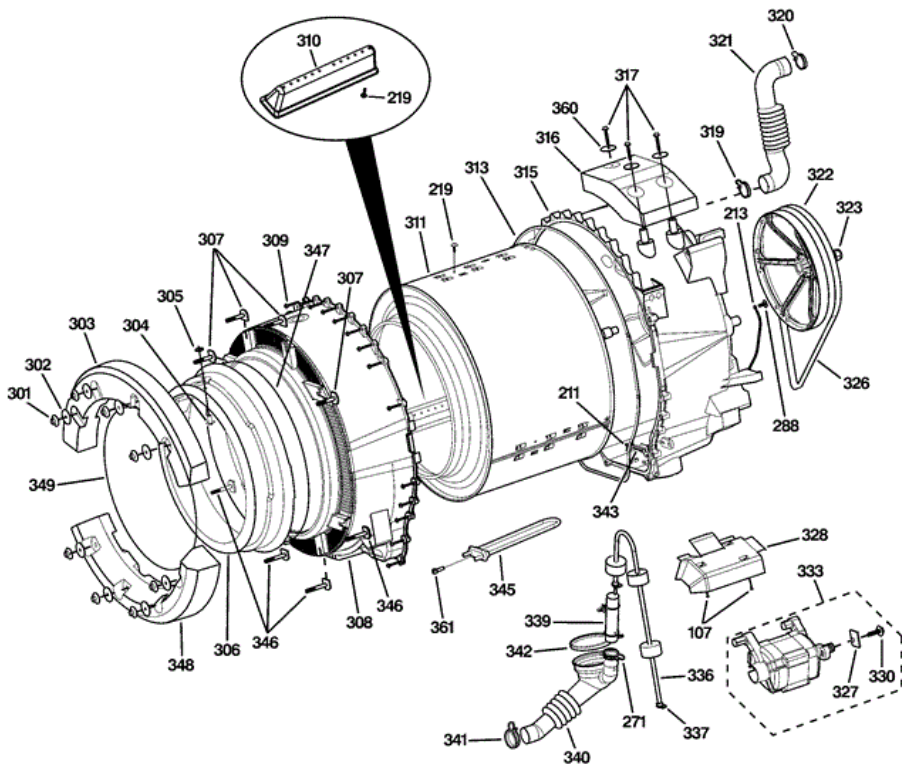
284	WH46X10127	PROTECT COVER & RING
289	WH01X10340	HINGE DOOR PLATE
290	WH02X10252	SCREW M4*17
312	WH02X10189	SCREW ST4*13

Distribuidor Autorizado

SurteRápido.com

Venta de Refacciones
Electrodomesticas

WCVH6800J1MS TAMBOR





WCVH6800J1MS TAMBOR

107	WH02X10183	SCREW_ST4*13
211	WH02X10188	SCREW ST4X11
213	WH19X10047	WIRE_HARNESS
271	WH01X10265	DRAIN_HOSE_CLAMP
288	WH02X10234	SCREW M5*12
301	WH02X10204	NUT_M8
302	WH02X10205	WASHER
303	WH01X10267	FRONT_TOP_COUNTERWEIGHT
304	WH08X10021	GASKET_NOZZLE
305	WH02X10206	GASKET_NOZZLE_WASHER
306	WH08X10036	GASKET
307	WH02X10207	BOLT M8*48
308	WH45X10069	FRONT_TUB
309	WH02X10208	SCREW_ST6*35
310	WH16X10079	BAFFLE
311	WH45X10079	BASKET ASM
313	WH08X10023	TUB_SEAL
315	WH45X10071	REAR_TUB
316	WH01X10268	REAR_COUNTERWEIGHT
317	WH02X10210	SCREW_ST8*45
319	WH01X10270	BOTTOM_VENT_HOSE_CLAMP
320	WH01X10271	VENT_HOSE_CLAMP
321	WH41X10128	VENT_HOSE
322	WH07X10016	DRIVING PULLEY KIT
323	WH02X10211	NUT_M16
326	WH08X10024	DRIVING_BELT
327	WH02X10212	MOTOR_WASHER
328	WH16X10080	MOTOR_SHIELD
330	WH02X10213	FLANGE_BOLT_M8*35
333	WH20X10028	MOTOR ASM KIT
336	WH41X10129	AIR_PIPE
337	WH01X10273	PRESSURE_HOSE_CLAMP
339	WH41X10130	AIR_CHAMBER

340	WH41X10131	DRAIN_HOSE
341	WH01X10275	PUMP_CLAMP
342	WH01X10276	TUB DRAIN HOSE CLAMP
343	WH16X10081	HEATER SUPPORT
345	WH12X10309	HEATER
346	WH02X10216	BOLT 8X58
347	WH01X10277	GASKET INSIDE CLAMP
348	WH01X10278	FRONT BOTTOM COUNTERWEIG
349	WH01X10279	GASKET OUTSIDE CLAMP
360	WH02X10221	WASHER
361	WH12X10310	HEATER THERMISTOR