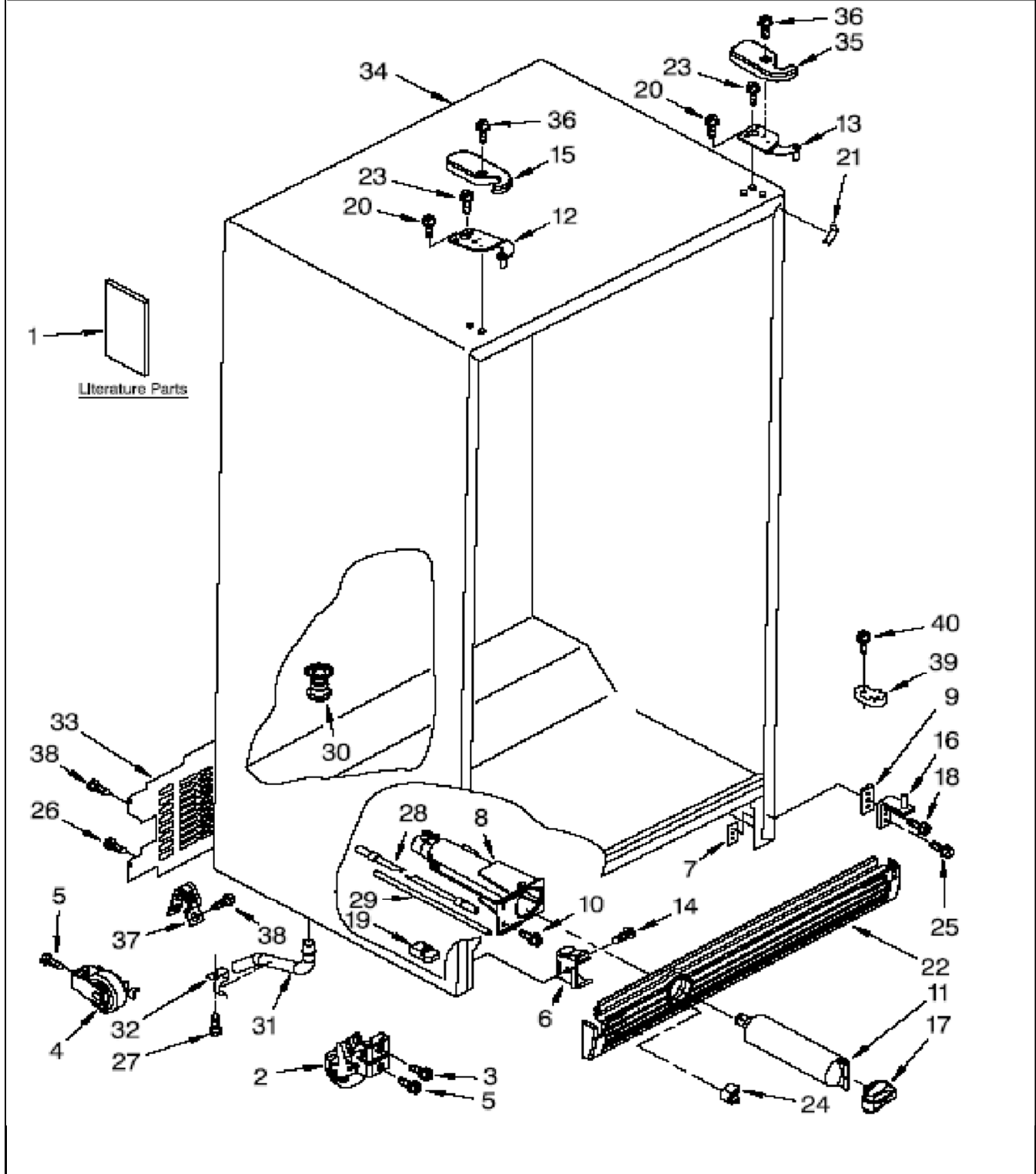


# REFRIGERADOR WD2040Q00

Marca	Whirlpool
Capacidad	22 pies
Color	Blanco

## Gabinete



# REFRIGERADOR WD2040Q00

Marca	Whirlpool
Capacidad	22 pies
Color	Blanco

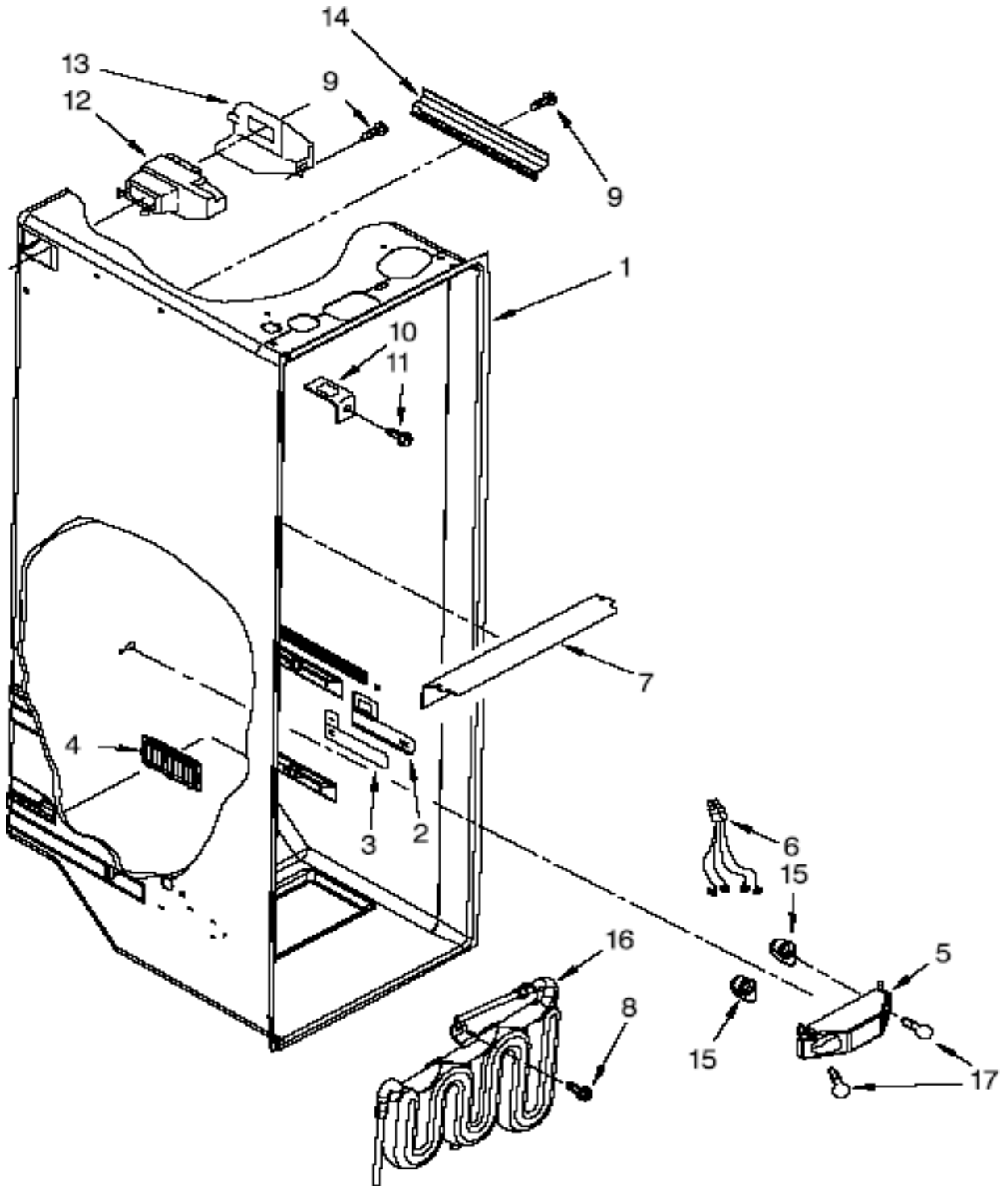
## Gabinete

R e f	Descripción	C a n t	Numero de Parte
1	Literature Parts	**	***
2	Front Roller	2	2174748
3	Screw	**	***
4	Roller (Rear)	2	2196236
5	Screw	**	***
6	Clip Grille	1	2155013
7	Plate Screw	**	***
8	Housing water filter	1	W10121138
9	Shim	2	2209697
10	Screw	**	***
11	Water Filter	1	W10121146
12	Hinge Top FC	1	2203770
13	Hinge Top RC	1	2203771
14	Screw	**	***
15	Hinge cover FC	1	2203407W
16	Hinge bottom	2	2217075
17	Cap water	1	2260502W
18	Screw	**	***
19	Block housing support	1	2260519
20	Screw	**	***
21	Filler wrapper	1	2201014
22	Grille	1	2260501W
23	Screw	**	***
24	Button water filter	1	2260503W
25	Screw	**	***
26	Screw	**	***
27	Screw	**	***
28	Tube filter inlet	1	2319867
29	Tube filter outlet	1	2255012
30	Drain fitting	1	2304888
31	extension tube	1	2304937
32	Clip drain tube	1	2255411
33	Cover unit	1	2220757
34	Cabinet (not servicable)	**	***
35	Hinge cover RC	1	2203408W
36	Screw	**	***
37	Clamp service corp	1	489348
38	Screw	**	***
39	Door closer lower cam	2	2155311
40	Screw	**	***

# REFRIGERADOR WD2040Q00

Capacidad	22 pies
Color	Blanco

## Partes del Liner Refrigerador



Distribuidor Autorizado

**SurteRápido.com**

Venta de Refacciones  
Electrodomesticas



# REFRIGERADOR WD2040Q00

Alto	22 pies
Color	Blanco

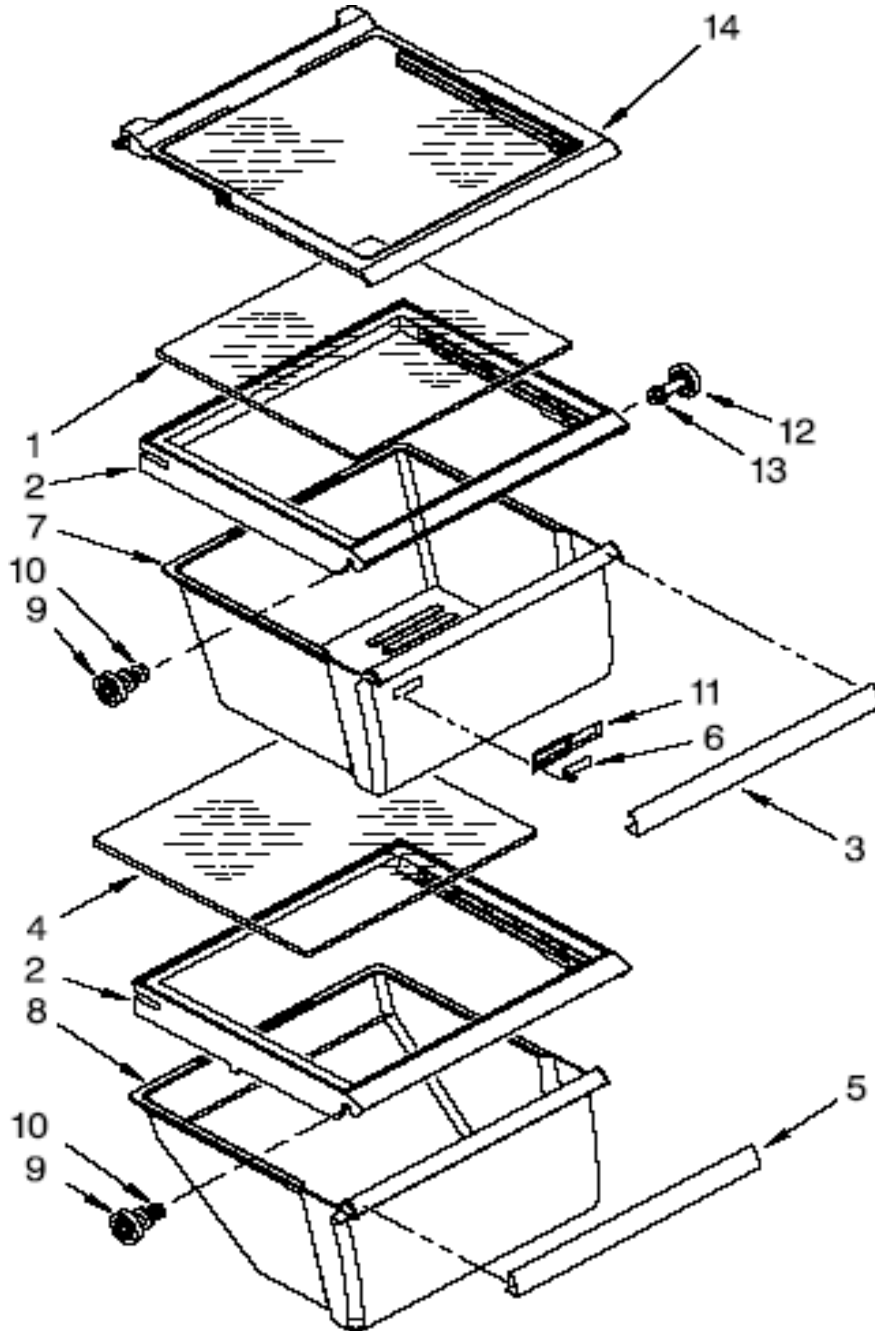
## Partes del Liner Refrigerador

R e f	Descripción	C a n t	Numero de Parte
1	Liner (not a servicable part)	**	***
2	Escutcheon, Meat Pan Control	1	W10175967
3	Slide Meat Pan Control	1	2182757
4	Louver	1	2257741
5	Bracket Dual Crisper Light	1	2256035
6	Wire Harness, Dual Crisper	1	2311637
7	Light Lens	1	2209769
8	Screw	**	***
9	Screw	**	***
10	Bracket Retainer	1	2256085
11	Screw	**	***
12	Air Diffuser Assembly	1	2209753
13	Air Diffuser Cover	1	2152019
14	Cover, Wiring	1	2150331
15	Socket	1	2162085
16	Reservoir	1	W10204356
17	Light Bulb	1	527949

# REFRIGERADOR WD2040Q00

Capacidad	22 pies
Color	Blanco

## Parrillas y Cajones



Distribuidor Autorizado

**SurteRápido.com**

Venta de Refacciones  
Electrodomesticas



# REFRIGERADOR WD2040Q00

Acabado	22 pies
Color	Blanco

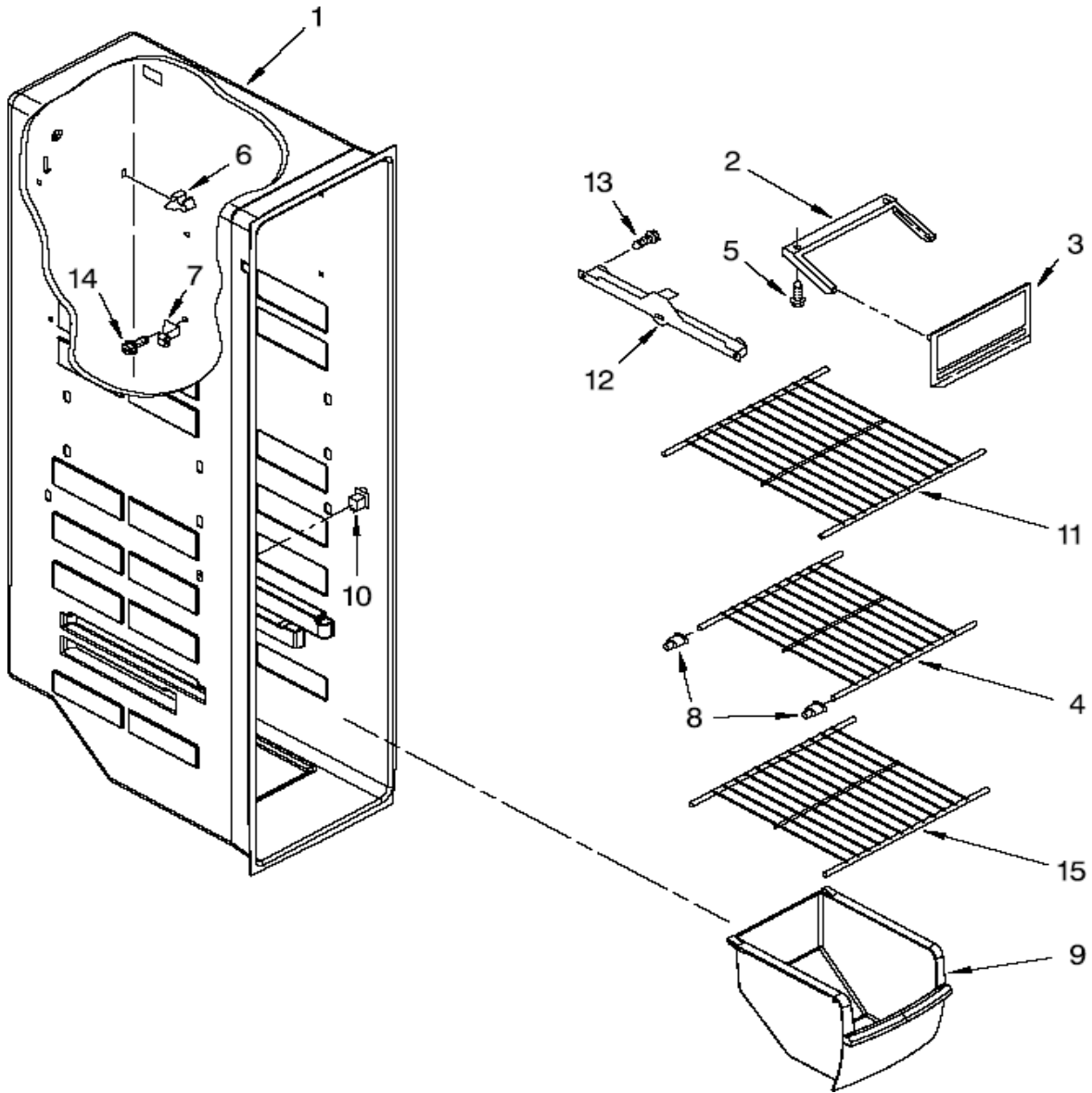
## Parrillas y Cajones

Ref	Descripción	Cant	Numero de Parte
1	Glass, cover	1	2179259
2	Cover, crisper	1	2209698
3	Trim,pan	1	2255593
4	Glass, cover	1	2179259
5	Trim, meat pan	1	2255593
6	Slide, Humidity control	1	2179342
7	Crisper pan	1	2188652
8	Meat pan	1	2188654
9	Stud assembly	1	2196485
10	Screw	**	***
11	Housing, humidity control	1	2179343
12	Stud assembly	1	2196483
13	Screw	**	***
14	Shelf assembly Spillguard	3	2309524

# REFRIGERADOR WD2040Q00

Capacidad	22 pies
Color	Blanco

## Partes de Liner Congelador



Distribuidor Autorizado

**SurteRápido.com**

Venta de Refacciones  
Electrodomesticas

# REFRIGERADOR WD2040Q00

Capacidad	22 pies
Color	Blanco

## Partes de Liner Congelador

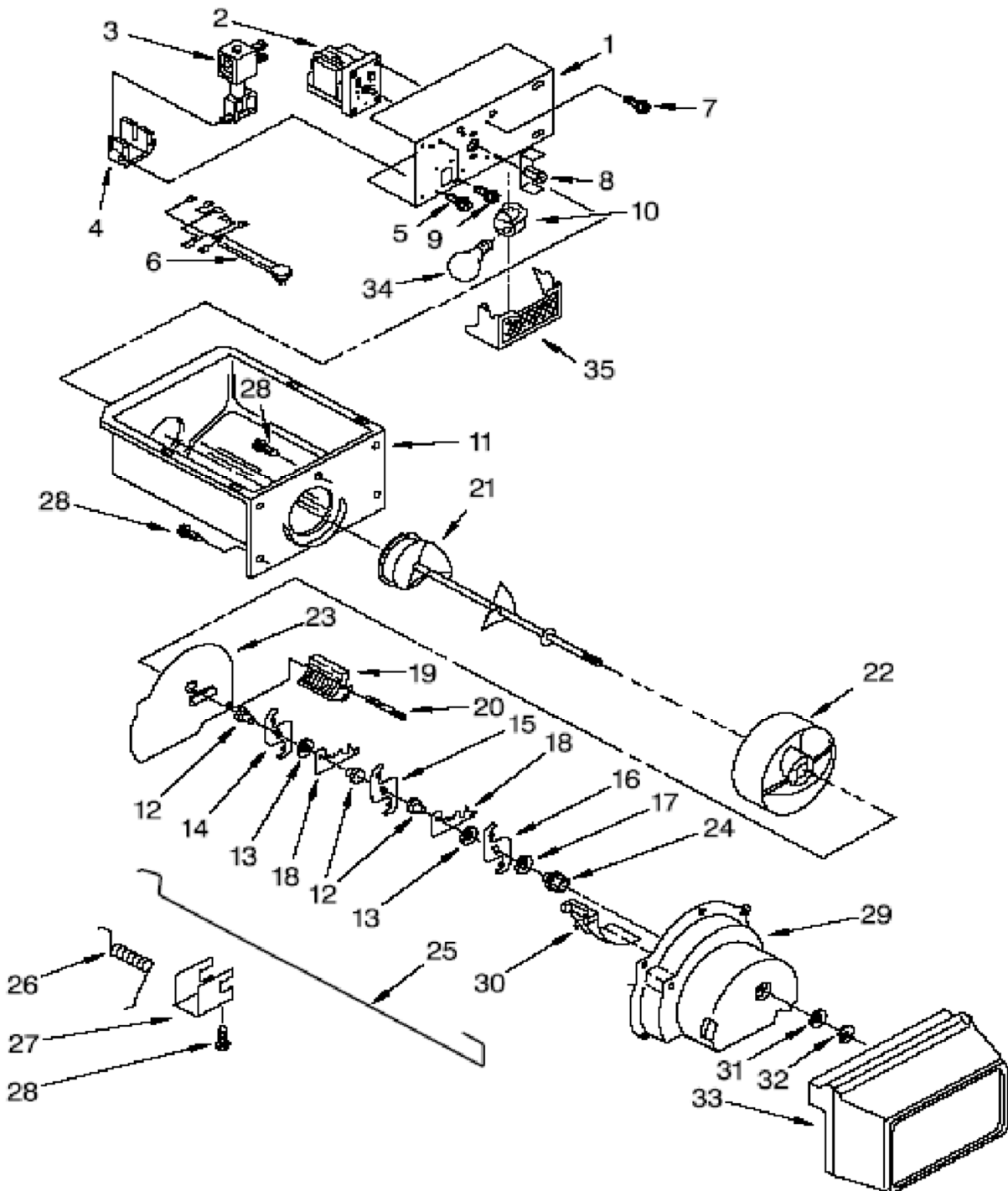
R e f	Descripción	C a n t	Numero de Parte
1	Liner (Not A Serviceable Part)	**	***
2	Slide, Ice Door	1	1115380
3	Door, Ice Compartment	1	2171712
4	Shelf, Wire	1	2309632
5	Screw	**	***
6	Clip, Air Duct	2	842534
7	Support, Stud	4	2196206
8	Cup, Shelf Mounting	12	W10130299
9	Freezer Bin	1	2309758
10	Switch, Rocker Arm	1	1115373
11	Shelf, Wire	1	2309633
12	Slide, Container Left Side	1	1119237
12	Slide, Container Right Side	1	1119293
13	Screw	**	***
14	Screw	**	***
15	Shelf, Wire	1	2309634



# REFRIGERADOR WD2040Q00

Capacidad	22 pies
Color	Blanco

## Partes del Contenedor de Hielos



# REFRIGERADOR WD2040Q00

Capacidad	22 pies
Color	Blanco

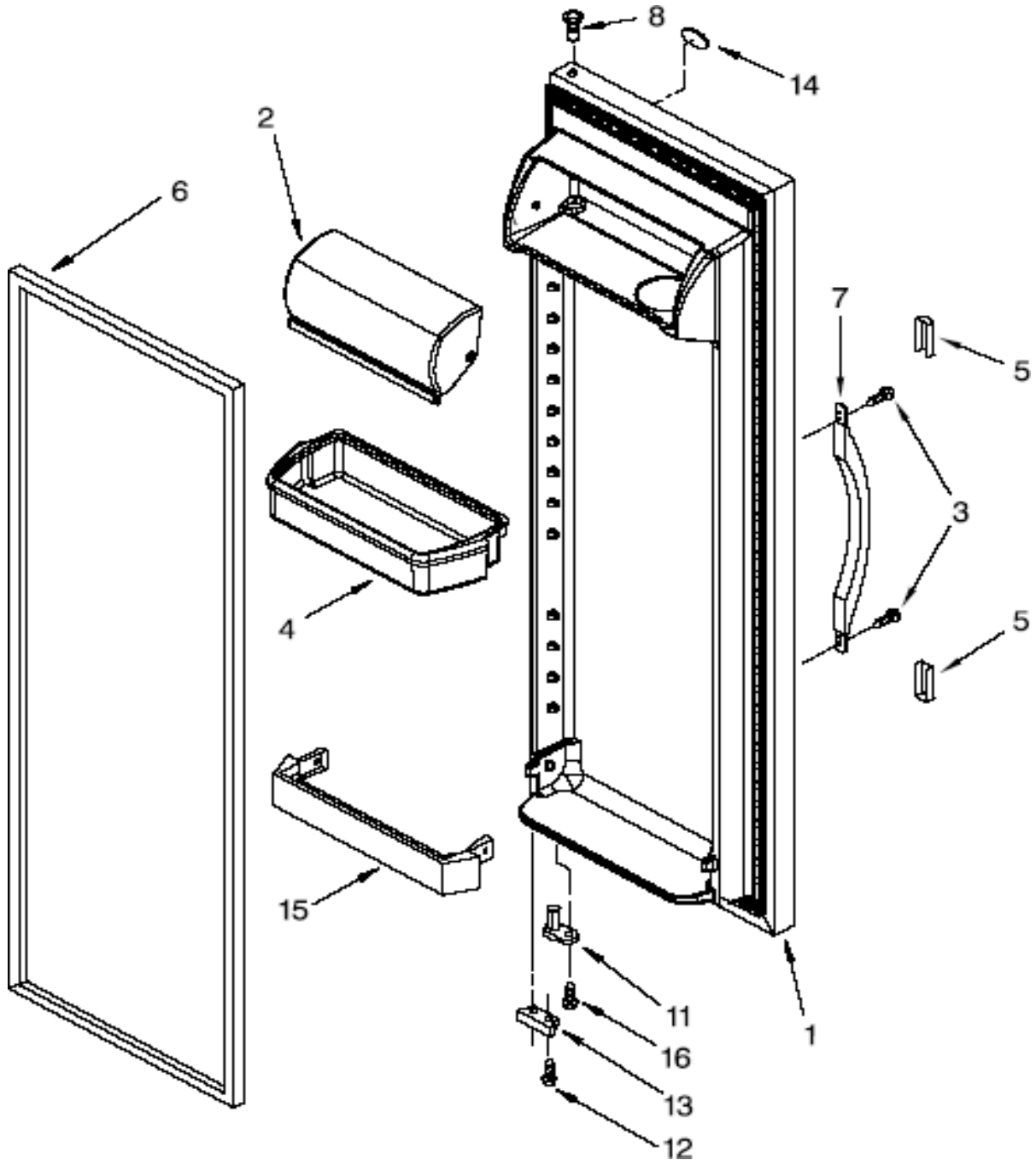
## Partes del Contenedor de Hielos

R e f	Descripción	C a n t	Numero de Parte
1	Bracket, Motor	1	2254588
2	Motor, Dispenser	1	W10181208
3	Solenoid Assembly	**	2152713
4	Guide, Solenoid	1	2180224
5	Screw	**	***
6	Wiring Assembly,Ice Dispenser	1	2325303
7	Screw	**	***
8	Coupling, Motor	1	W10169511
9	Screw	**	***
10	Socket, Light	1	2162085
11	Ice Container	1	2196089
12	Spacer, Step	3	1119005
13	Spacer, Flat	2	1119007
14	Blade, Rotary	1	2257022
15	Blade, Rotary	1	2257023
16	Blade, Rotary	1	2257024
17	Washer, Plain	1	489235
18	Blade, Fixed	2	1119009
19	Block, Blade	1	2157405
20	Roll Pin	1	489229
21	Auger	1	2196295
22	Drum	1	2305377
23	Floating Baffle	1	2171682
24	Nut, Bearing	1	1119018
25	Control Arm	1	2155231
26	Spring, Return	1	1119020
27	Retainer Clip, Rod	1	1119021
28	Screw	**	***
29	Housing, Crusher	1	2180348
30	Deflector, Ice	1	2179350
31	Washer, Plain	1	489235
32	Retainer Ring	1	489236
33	Front Cover,Ice Container	1	2171709
34	Light Bulb	1	527949
35	Light Lens,Dispenser	1	2171706
100	Ice Container (Complete)	1	W10192854

# REFRIGERADOR WD2040Q00

Capacidad	22 pies
Color	Blanco

## Puerta Refrigerador



Distribuidor Autorizado

**SurteRápido.com**

Venta de Refacciones  
Electrodomesticas



# REFRIGERADOR WD2040Q00

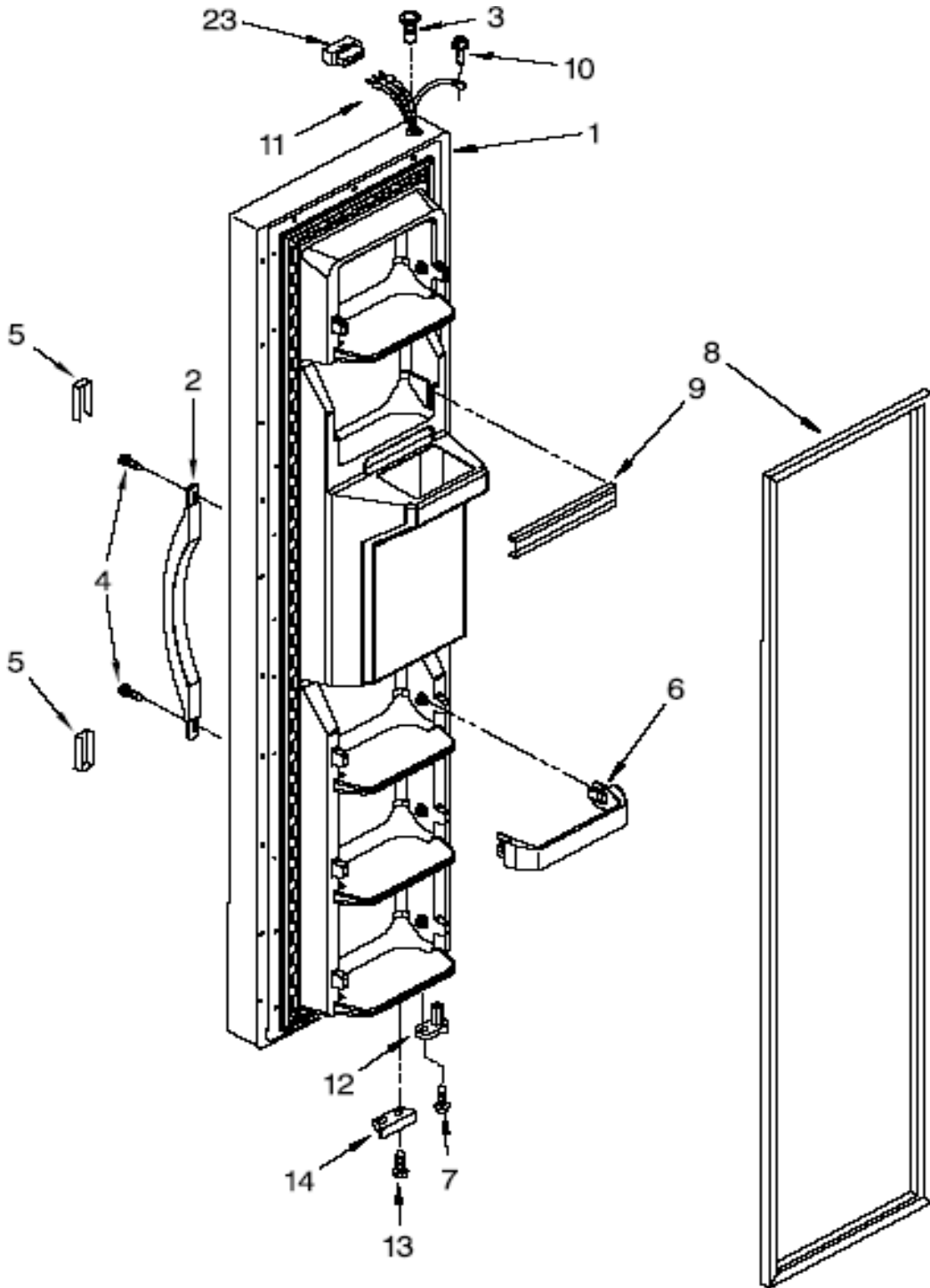
Alto	22 pies
Color	Blanco

## Puerta Refrigerador

R e f	Descripción	C a n t	Numero de Parte
1	Refrigerator Door (include item 6)	1	2325213W
2	Door, Compartment	1	2256101
3	Screw	**	***
4	Door Bin	3	2304235
5	Extension, Handle	1	W10152862
6	Door Gasket, Magnetic	1	2309600
7	Handle	1	W10152863
8	Thimble-Top	1	2200087
11	Door Closer, Upper Cam	1	2182178
12	Screw	**	***
13	Bracket, Door Stop	1	2200082
14	Nameplate	1	2255121
15	Trivet	1	2309941
16	Screw	**	***

# REFRIGERADOR WD2040Q00

Altura	22 pies
Color	Blanco
Puerta Congelador	



Distribuidor Autorizado



Venta de Refacciones  
Electrodomesticas

# REFRIGERADOR WD2040Q00

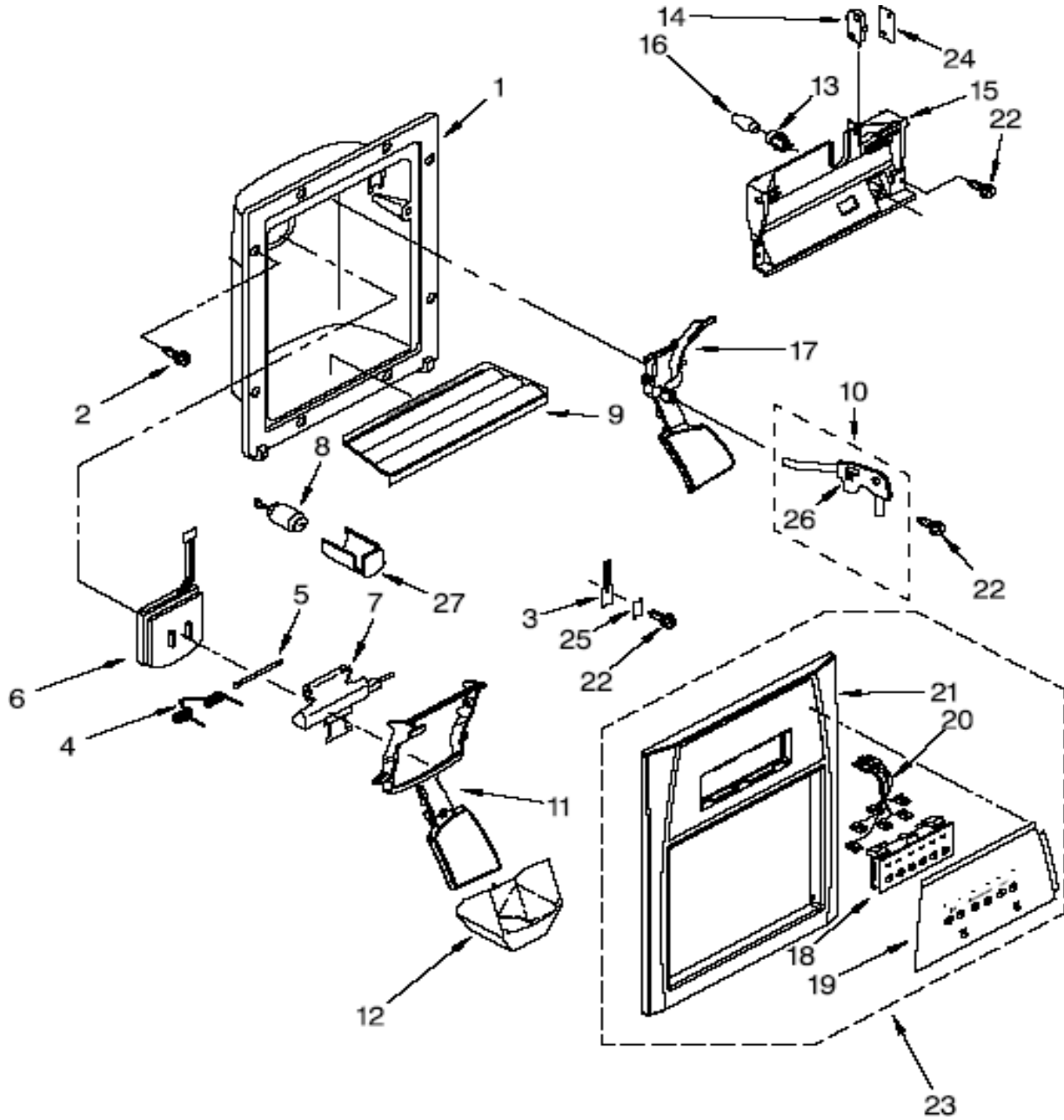
Capacidad	22 pies
Color	Blanco

## Puerta Congelador

R e f	Descripción	C a n t	Numero de Parte
1	Freezer Door (Includes Item 8 And Dispenser Front Parts)	1	2311427W
2	Handle	1	W10152863
3	Thimble-Top	1	2200087
4	Screw	**	***
5	Extension, Handle	1	W10152862
6	Trivet	3	2309717
7	Screw	**	***
8	Door Gasket, Magnetic	1	2309604
9	Trim, Door Shelf	1	2209680
10	Screw	**	***
11	Wire Harness	1	2311642
12	Door Closer, Upper Cam	1	2182179
13	Screw	**	***
14	Bracket, Door Stop	1	2200082
23	Connector	1	2154473

# REFRIGERADOR WD2040Q00

Alcance	22 pies
Color	Blanco
Dispensador	



# REFRIGERADOR WD2040Q00

Capacidad	22 pies
Color	Blanco

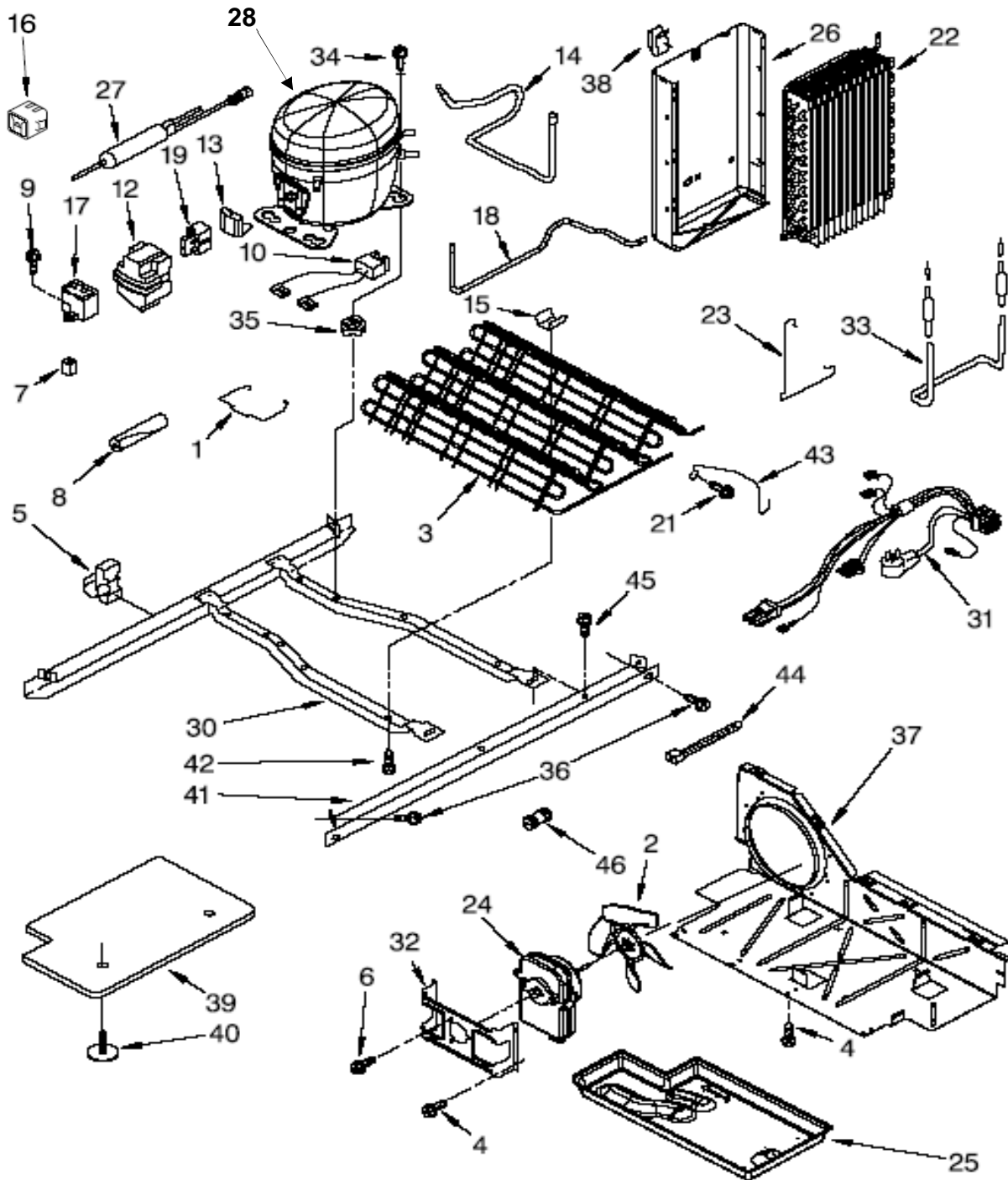
## Dispensador

R e f	Descripción	C a n t	Numero de Parte
1	Housing, Dispenser (Not Serviced)	**	***
2	Screw	**	***
3	Retainer, Levers	1	2194719
4	Spring, Torsion	1	2304772
5	Pin	1	2196195
6	Door, Ice	1	2180353
7	Door, Mechanism Assembly	1	2304355
8	Mechanism Delay	1	2205686
9	Grille, Overflow	1	2207048W
10	Water Fitting Assembly (Includes Water Tube)	1	2304317
11	Lever, Ice Dispenser	1	W10152853
12	Guide, Ice	1	2180224
13	Lamp Holder	1	2180200
14	Switch	2	2162361
15	Bracket, Control	1	2183771
16	Bulb, Light	1	3406124
17	Lever, Water Dispenser	1	W10152858
18	Switch Assembly	1	2180236
19	Overlay, Front Cover (Not Available Order #23)	1	2311492W
20	Wire Assembly	1	2325305
21	Front Cover Housing (Not Available Order #23)	1	2318712W
22	Screw	**	***
23	Front Cover Assembly (Includes Items 18, 19, 20 & 21)	1	2311731W
24	Spacer, Switch	2	625834
25	Strain Relief	1	2195051
26	Bracket, Dispenser	1	2304673
27	Sleeve, Delay Mechanism	1	2252127



# REFRIGERADOR WD2040Q00

Capacidad	22 pies
Color	Blanco
Sistema Sellado	



# REFRIGERADOR WD2040Q00

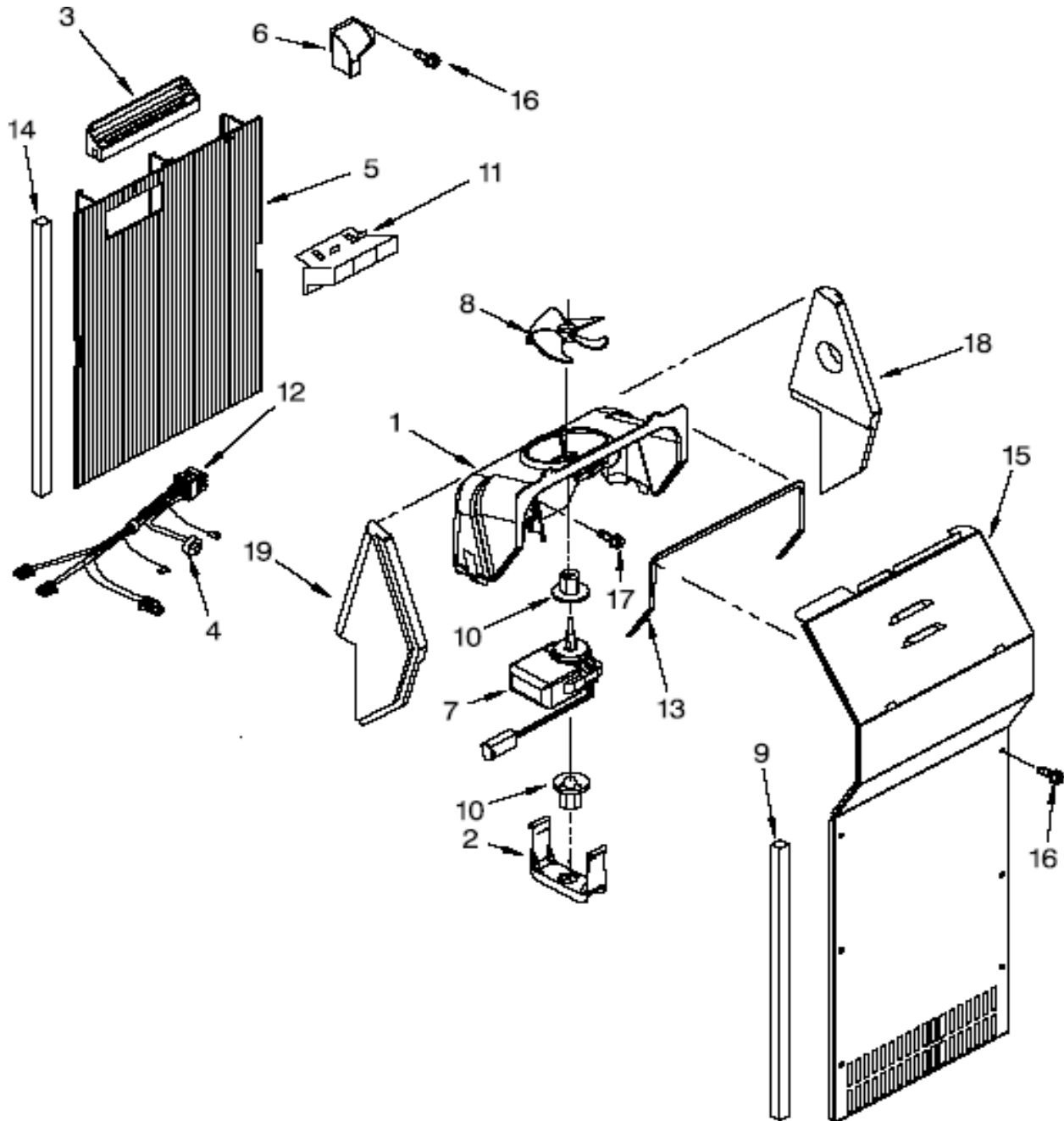
Capacidad	22 pies
Color	Blanco

**Sistema Sellado**

R e f	Descripción	C a n t	Numero de Parte
1	Bale Strap	1	2255009
2	Fan Blade	1	12825802
3	Condenser Assembly	1	W10121487
4	Screw	**	***
5	Clip wire	1	2208280
6	Screw	**	***
7	Grommet	1	509812
8	Sleeve	1	2161302
9	Screw	**	***
10	Wire Capacitor	**	***
12	Cover Terminal	**	***
13	Overload	**	***
14	Tube Suction	1	2220642
15	Clip Condenser	2	2311725
16	5SP start protect combo device	1	2188831
17	Capacitor	1	2255130
18	Tube Condenser to Heat Loop	**	***
19	Relay	**	***
21	Screw	**	***
22	Evaporator	1	2188822
23	Clamp	1	2161324
24	Fan Motor	1	2188874
25	Tray Evaporator	1	1105523
26	Heat Shield	1	W10194474
27	Drier	1	W10177049
28	Compressor	1	W10151487
30	Unit mounting frame	1	2304903
31	Unit Harness (includes power cord)	1	2187605
32	Fan motor bracket	1	2181929
33	Heater defrost	1	2188174
34	Screw	**	***
35	Grommet	4	1100826
36	Screw	**	***
37	Air Baffle	1	W10196306
38	Clip heat shield	1	2155547
39	Unit Cover Bottom	1	2304898
40	Clip	1	489396
41	Unit mounting Rail	1	W10207512
42	Screw	**	***
43	Guard Fan	1	2260516
44	Strap	1	2263990
45	Screw	**	***
46	Union	**	***

# REFRIGERADOR WD2040Q00

Altura	22 pies
Color	Blanco
Sistema de Aire	



Distribuidor Autorizado

**SurteRápido.com**

Venta de Refacciones  
Electrodomesticas



# REFRIGERADOR WD2040Q00

Marca	Whirlpool
Capacidad	22 pies
Color	Blanco

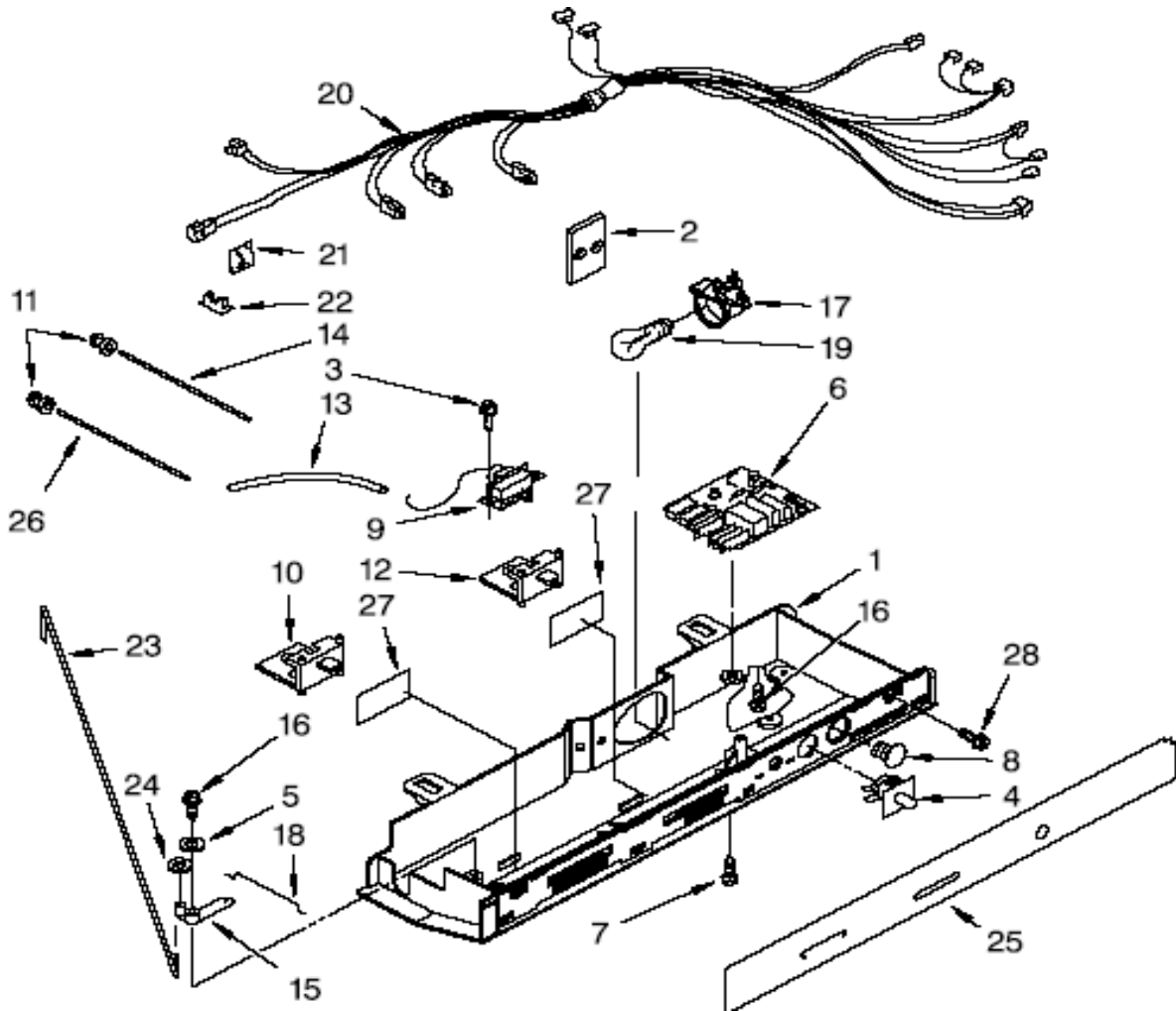
## Sistema de Aire

R e f	Descripción	C a n t	Numero de Parte
1	Fan Scroll	1	2182119
2	Retainer Fan motor	1	2155590
3	Diffuser Air duct	1	1108450
4	Bi-metal Defrost	1	2321799
5	Air duct Freezer	1	2203591
6	Air Scoop	1	2161229
7	Fan motor	1	W10131845
8	Fan blade	1	2169142
9	Gasket evaporator Cover	2	2304241
10	Fan Grommet	2	2176759
11	Duct Icemaker	1	W10121449
12	Harness Fan Evaporator (includes #4)	1	W10129821
13	Gasket Fan Scroll	1	2155788
14	Gasket	1	2261191
15	Cover Evaporator (includes #9)	1	2203840
16	Screw	**	***
17	Screw	**	***
18	Support R.S	1	2203595
19	Support L.S	1	2203596

# REFRIGERADOR WD2040Q00

Capacidad	22 pies
Color	Blanco

Partes del Control



# REFRIGERADOR WD2040Q00

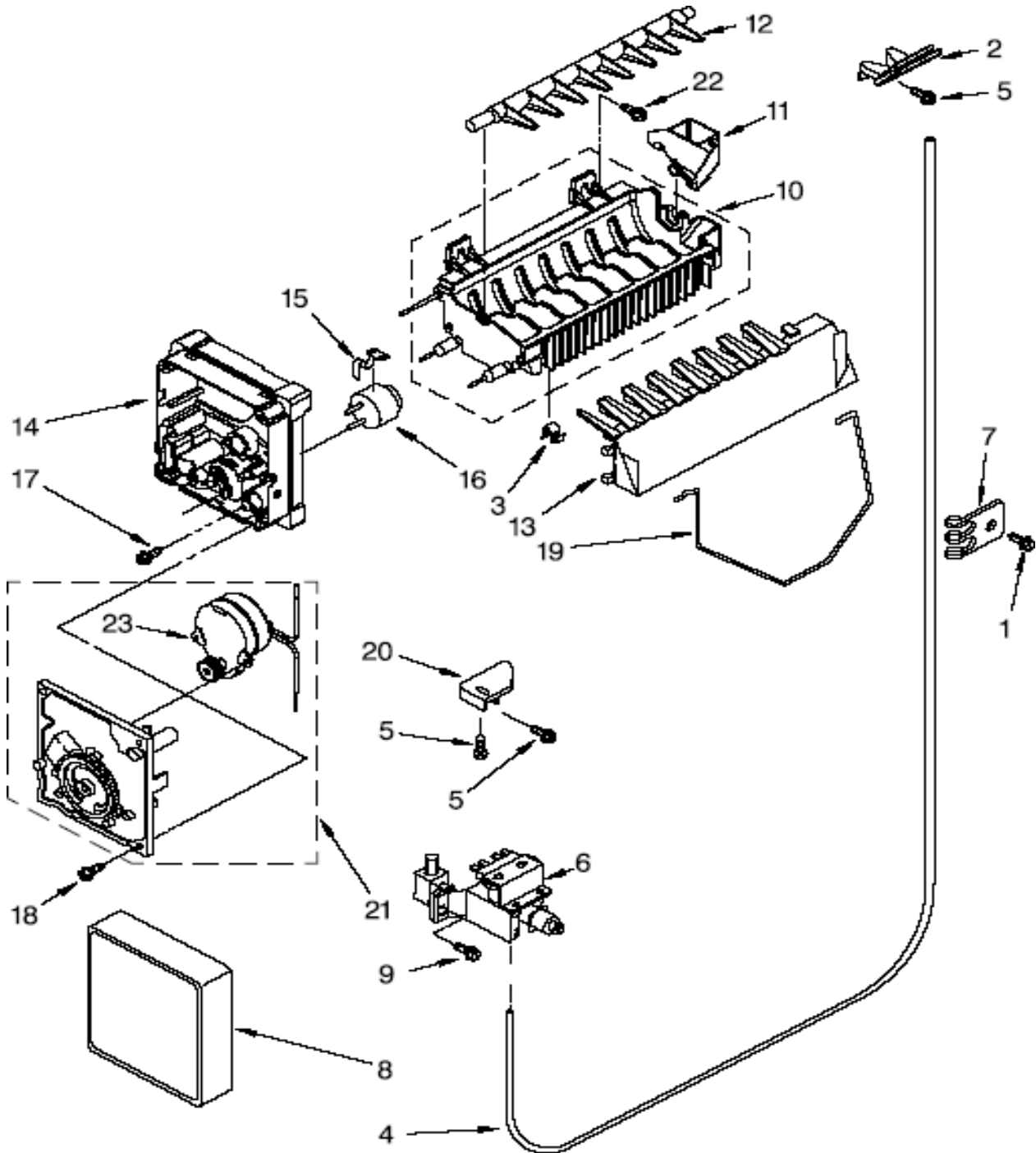
Capacidad	22 pies
Color	Blanco

## Partes del Control

R e f	Descripción	C a n t	Numero de Parte
1	Control Box	1	2311721
2	Heat Shield	1	2172931
3	Screw	**	***
4	Switch, Light	1	2149705
5	Spring Washer	1	489203
6	Control Board Assembly	1	W10135899
7	Screw	**	***
8	Hole Plug	1	940014
9	Thermostat	1	2315562
10	Slide, Air Control	1	2181741
11	Grommet, Light Bar	4	2172906
12	Slide, Thermostat	1	2161466
13	Tube Barrier	1	2196001
14	Light Bar (RC)	1	2179920
15	Pivot Arm	1	2161306
16	Screw	**	***
17	Light Socket	1	2162085
18	Connecting Rod, Short	1	2161307
19	Light Bulb	1	527949
20	Control Box Harness	1	2311632
21	Clip, Wiring	1	1115374
22	Clip, Wiring	1	1115375
23	Connecting Rod	1	2161308
24	Fastner, Push-On	1	489391
25	Escutcheon, Control Box	1	2311803
26	Light Bar (FC)	1	2179921
27	Window	1	2175513
28	Screw	**	***

# REFRIGERADOR WD2040Q00

Capacidad	22 pies
Color	Blanco
IceMaker	



Distribuidor Autorizado

**SurteRápido.com**

Venta de Refacciones  
Electrodomesticas



# REFRIGERADOR WD2040Q00

Capacidad	22 pies
Color	Blanco

## IceMaker

R e f	Descripción	C a n t	Numero de Parte
1	Screw	**	***
2	Chute Water	1	2209774
3	Clip Fuse	1	628379
4	Tube Water	1	2304316
5	Screw	**	***
6	Filter Valve Asm	1	2188708
7	Tube Clip	1	2208136
8	Cover	1	2174155
9	Screw	**	***
10	Molde y Heater Assembly	1	W10122527
11	Cup water fill	1	628515
12	Ejector	1	627843
13	Ice Striper	1	2182124
14	Support	1	2195914
15	Retainer Thermostat	1	2315522
16	Thermostat	1	628397
17	Screw	**	***
18	Screw	**	***
19	Shut off arm	1	2304354
20	Bracket	1	2304317
21	Module Assembly	1	626681
22	Screw	**	***
23	Motor (Not Serviced)	1	626683
100	Complete Icemaker Assembly	1	W10190969