

EXPLOSIONADO DE PARTES

— REFRIGERADOR DÚPLEX —

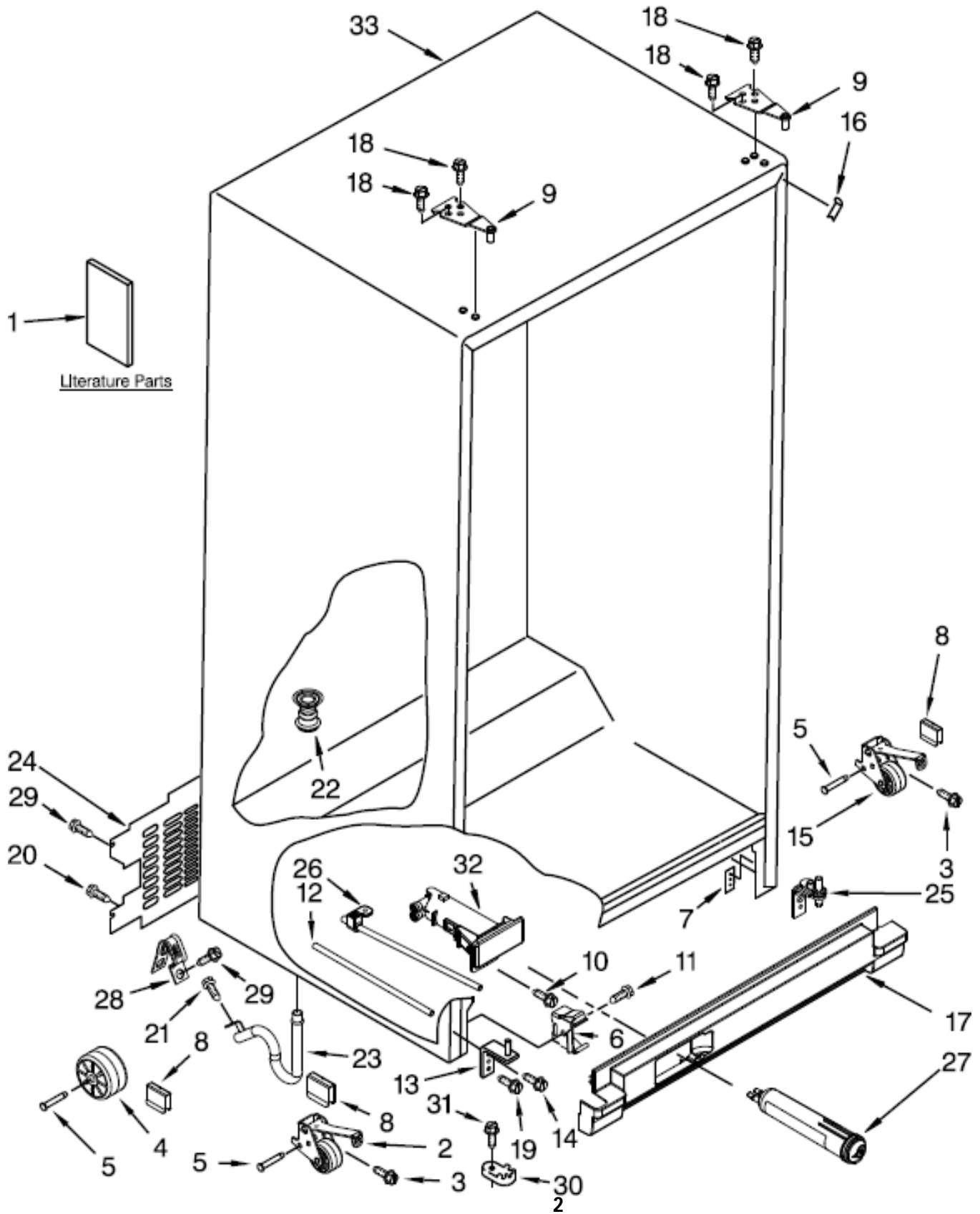
MODELO | WD2105D00

Distribuidor Autorizado

SurteRápido.com

Venta de Refacciones
Electrodomesticas

REFRIGERADOR WD2105D00



REFRIGERADOR WD2105D00

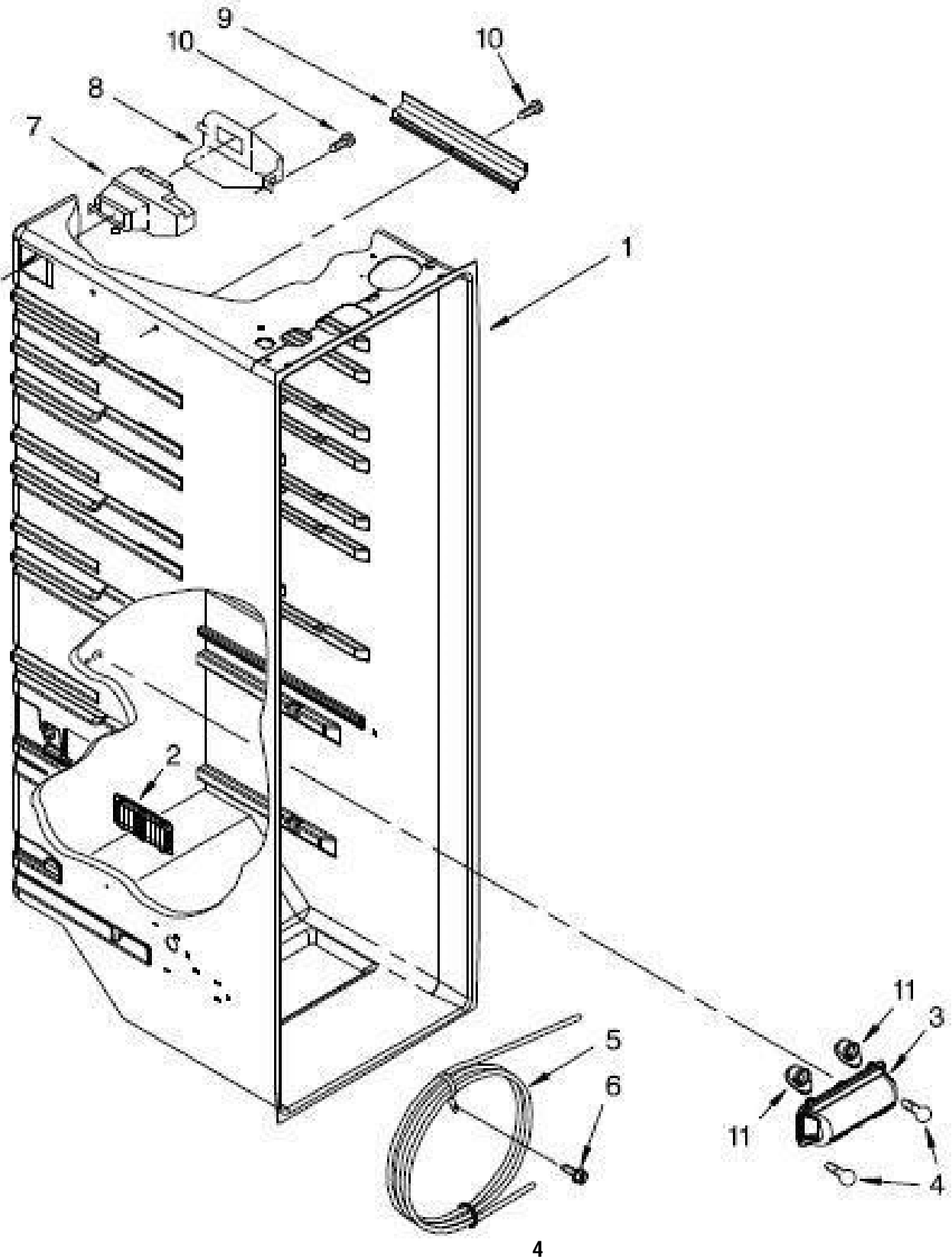
| <u>No.</u> | <u>DESCRIPCIÓN</u> | <u>Cant.</u> | <u>No. de Parte</u> |
|------------|--------------------------|--------------|---------------------|
| 1 | Literature Parts | ** | ***** |
| 2 | Roller | 1 | W10304660 |
| 3 | Screw | ** | ***** |
| 4 | Roller | 1 | W10475495 |
| 5 | Axle, Roller | 1 | 2262072 |
| 6 | Clip, Grille | 2 | 2155013 |
| 7 | Plate, Screw | 1 | 2304249 |
| 8 | Clip, Roller | 1 | 2174706 |
| 9 | Top Hinge | 2 | W10398820 |
| 10 | Screw | ** | ***** |
| 11 | Screw | ** | ***** |
| 12 | Tube, Filter Outlet | 1 | W10350006 |
| 13 | Hinge, Bottom FC | 1 | W10414753 |
| 14 | Screw | ** | ***** |
| 15 | Front Roller Right | 1 | W10304659 |
| 16 | Filler, Wrapper | 2 | W10283960 |
| 17 | Grille | 1 | W10393045 |
| 18 | Screw, Hinge | ** | ***** |
| 19 | Screw | ** | ***** |
| 20 | Screw | ** | ***** |
| 21 | Screw | ** | ***** |
| 22 | Drain Fitting | 1 | 2304888 |
| 23 | Extension, Drain Fitting | 1 | W10153550 |
| 24 | Cover Unit | 1 | 2220757 |
| 25 | Hinge, Bottom RC | 1 | W10409481 |
| 26 | Tube, Filter Inlet | 1 | W10350007 |
| 27 | Water Filter, PUR | 1 | W10569758 |
| 28 | Clamp, Power Cord | 1 | W10303628 |
| 29 | Screw | ** | ***** |
| 30 | Door Closer, Freezer | 1 | 2223751 |
| 31 | Screw | ** | ***** |
| 32 | Housing, Water Filter | 1 | W10350065 |
| 33 | Cabinet (No Servicable) | ** | ***** |

Distribuidor Autorizado

SurteRápido.com

Venta de Refacciones
Electrodomesticas

REFRIGERADOR WD2105D00



Distribuidor Autorizado

SurteRápido.com

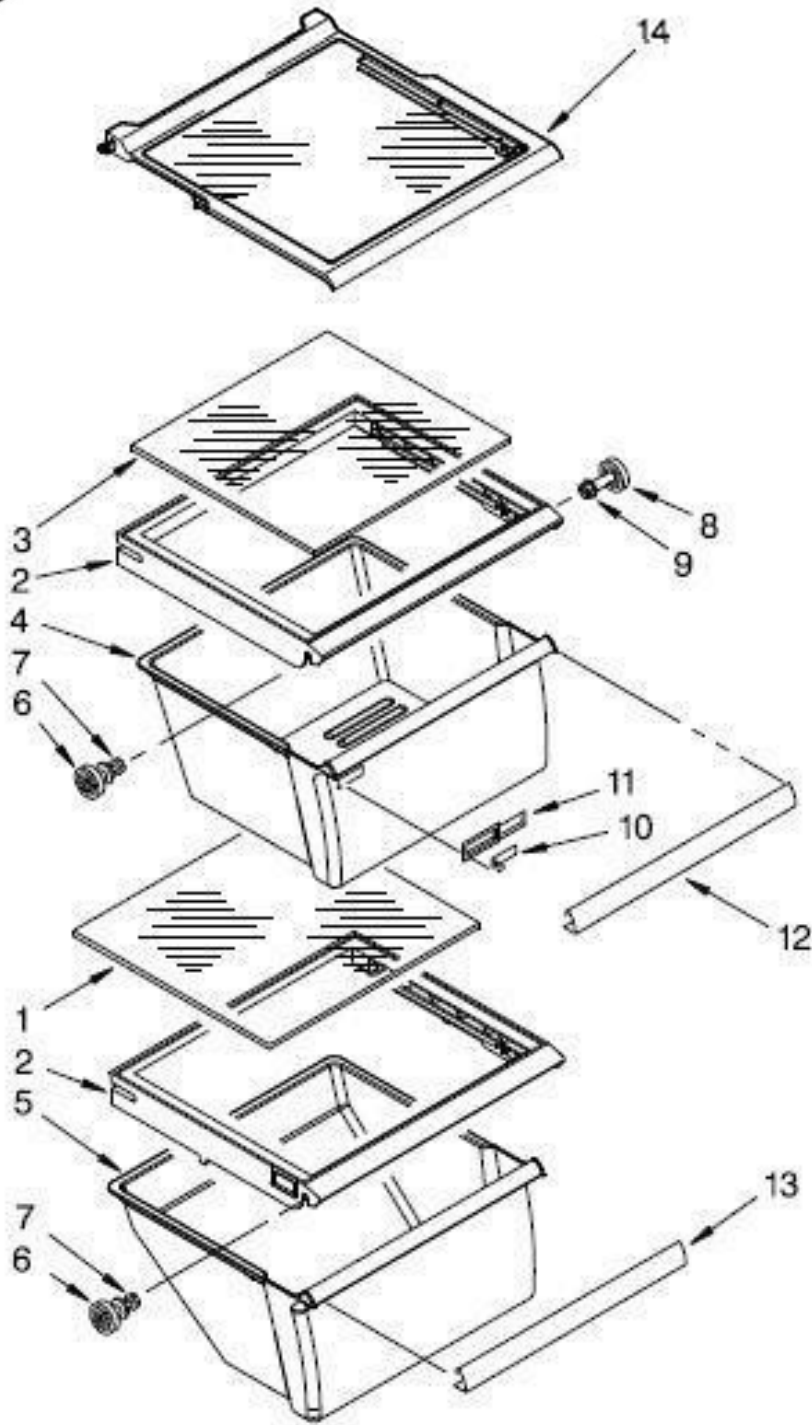
Venta de Refacciones
Electrodomesticas



REFRIGERADOR WD2105D00

| No. | Ilus. | DESCRIPCIÓN | Cant. | No. de Parte |
|------------|--------------|------------------------|--------------|---------------------|
| 1 | | Liner (No Serviciable) | ** | ***** |
| 2 | | Louver | 1 | W10550195 |
| 3 | | Light Lens | 1 | W10242623 |
| 4 | | Bulb, Light | 1 | W10311505 |
| 5 | | Reservoir | 1 | W10526445 |
| 6 | | Screw | ** | ***** |
| 7 | | Air Diffuser Assembly | 1 | W10151374 |
| 8 | | Cover, Air Diffuser | 1 | 2152019 |
| 9 | | Cover, Wiring | 1 | W10252495 |
| 10 | | Screw | ** | ***** |

REFRIGERADOR WD2105D00



Distribuidor Autorizado

SurteRápido.com

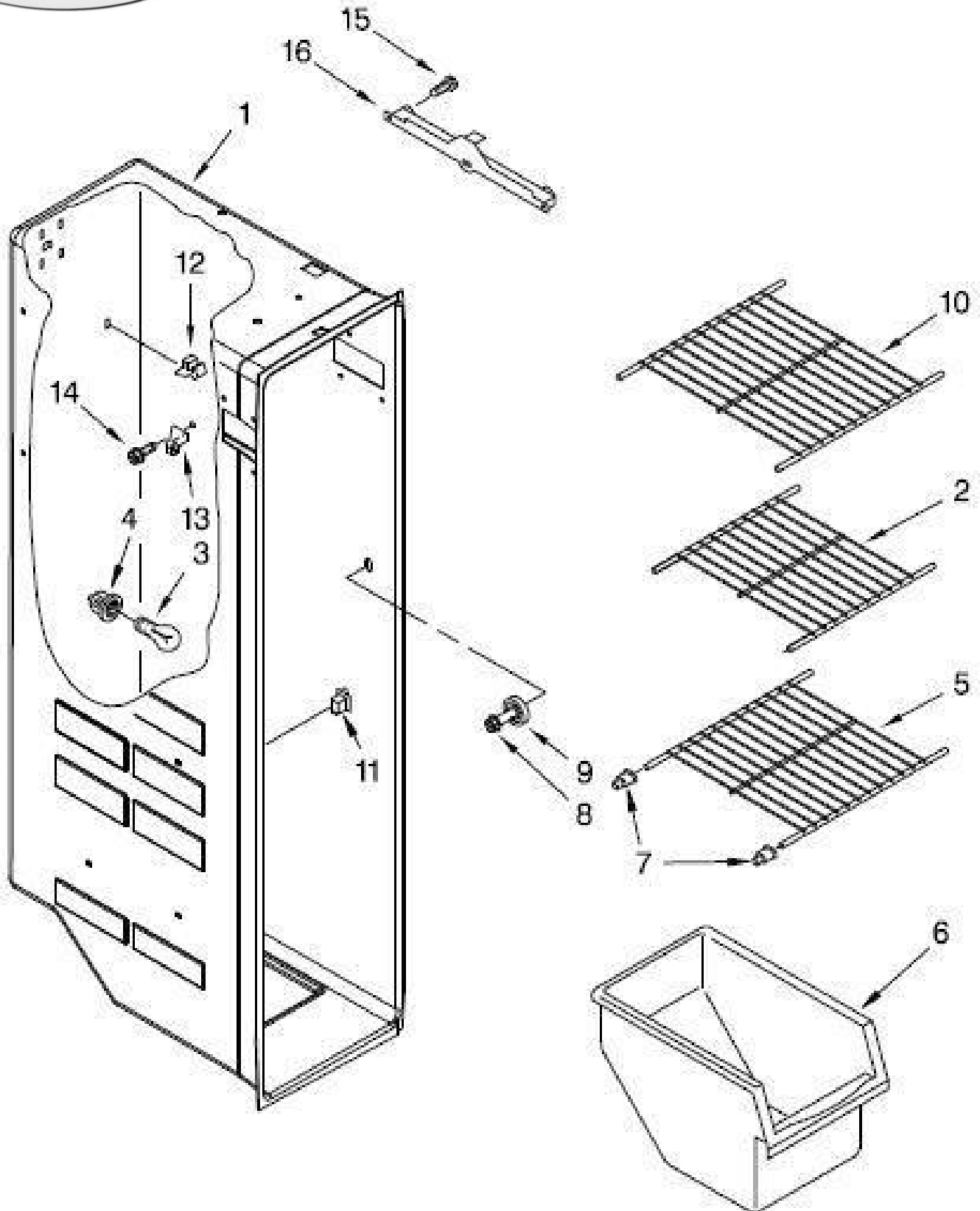
Venta de Refacciones
Electrodomesticas



REFRIGERADOR WD2105D00

| <u>No.</u> | <u>DESCRIPCIÓN</u> | <u>Cant.</u> | <u>No. de Parte</u> |
|------------|----------------------------|--------------|---------------------|
| 1 | Glass, Cover | 1 | 2179259 |
| 2 | Cover, Crisper | 2 | 2209698 |
| 3 | Glass, Cover | 1 | 2179259 |
| 4 | Crisper, Pan | 1 | 2188652 |
| 5 | Pan, Meat | 1 | 2188654 |
| 6 | Stud, Assembly | 2 | W10173126 |
| 7 | Screw | ** | ***** |
| 8 | Stud Assembly | 1 | W10173127 |
| 9 | Screw | ** | ***** |
| 10 | Slide, Humidity Control | 1 | 2179342 |
| 11 | Body, Humidity Control | 1 | 2179343 |
| 12 | Trim, Crisper Pan | 1 | W10449632 |
| 13 | Trim, Pan | 1 | W10630548 |
| 14 | Shelf Assembly, Spillguard | 1 | W10276348 |

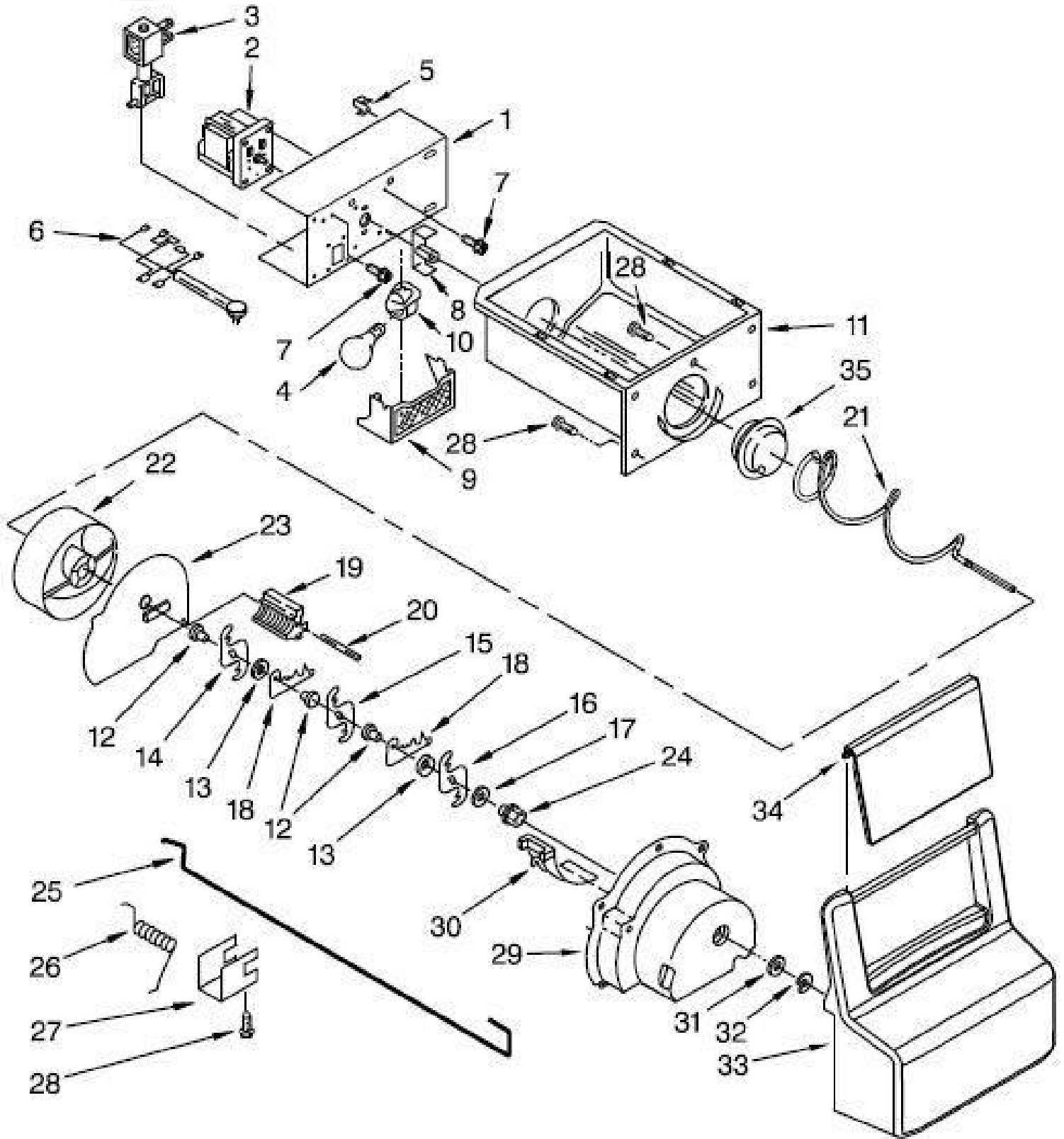
REFRIGERADOR WD2105D00



REFRIGERADOR WD2105D00

| <u>No.</u> | <u>DESCRIPCIÓN</u> | <u>Cant.</u> | <u>No. de Parte</u> |
|------------|----------------------------------|--------------|---------------------|
| 1 | Liner (No Serviciable) | ** | ***** |
| 2 | Shelf, Wire | 1 | W10318960 |
| 3 | Bulb, Light | 1 | W10311505 |
| 4 | Socket, Light | 1 | 2162085 |
| 5 | Shelf, Wire | 1 | W10318952 |
| 6 | Freezer Bin | 1 | 2309758 |
| 7 | Cup, Shelf | 12 | W10130299 |
| 8 | Screw | ** | ***** |
| 9 | Stud Assembly | 1 | W10173127 |
| 10 | Shelf, Wire | 1 | W10318953 |
| 11 | Switch, Rocker Arm | 1 | 1115373 |
| 12 | Clip, Air Duct | 2 | 2315163 |
| 13 | Support Stud | 4 | 2196206 |
| 14 | Screw | ** | ***** |
| 15 | Screw | ** | ***** |
| 16 | Slide, Ice Container (Izquierdo) | 1 | 1119237 |
| | Slide, Ice Container (Derecho) | 1 | 1119293 |

REFRIGERADOR WD2105D00



REFRIGERADOR WD2105D00

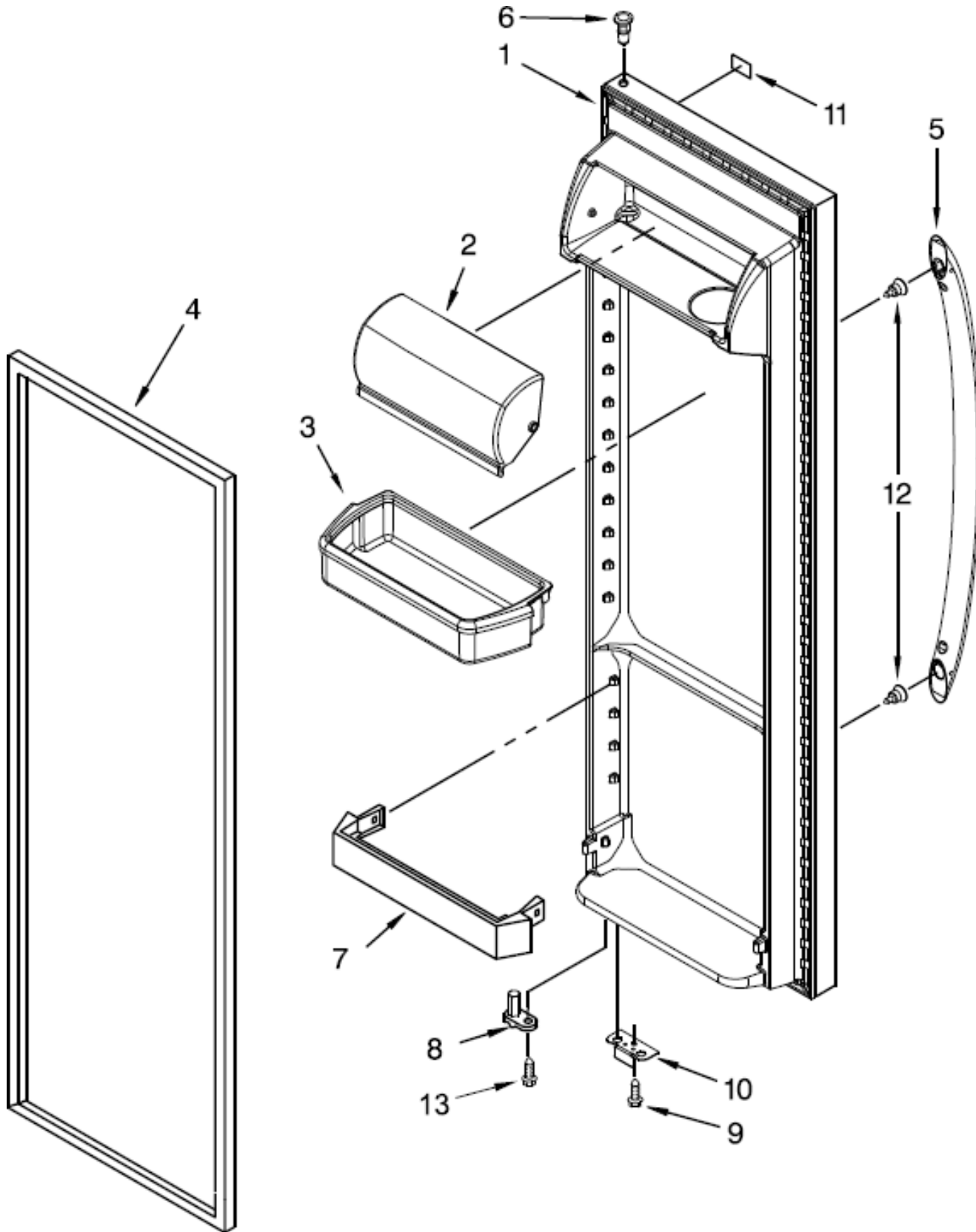
| No. | Ilus. | DESCRIPCIÓN | Cant. | No. de Parte |
|------------|--------------|--------------------------------|--------------|---------------------|
| 1 | | Bracket, Motor | 1 | W10284487 |
| 2 | | Motor, Dispenser | 1 | W10317991 |
| 3 | | Solenoid Assembly | 1 | 2152713 |
| 4 | | Bulb, Light | 1 | W10311505 |
| 5 | | Clip, Wire | 1 | 2155547 |
| 6 | | Wiring Assembly, Ice Dispenser | 1 | W10298085 |
| 7 | | Screw | ** | ***** |
| 8 | | Coupling, Motor | 1 | W10169511 |
| 9 | | Lens, Light | 1 | 2171706 |
| 10 | | Socket, Light | 1 | 2162085 |
| 11 | | Ice Container | 1 | W10670844 |
| 12 | | Spacer, Step | 3 | W10189661 |
| 13 | | Spacer, Flat | 2 | W10189658 |
| 14 | | Blade, Rotary A | 1 | W10278731 |
| 15 | | Blade, Rotary B | 1 | W10278732 |
| 16 | | Blade, Rotary C | 1 | W10278733 |
| 17 | | Washer, Plain Upper Cam | 1 | 489234 |
| 18 | | Blade, Fixed | 2 | W10181990 |
| 19 | | Block, Blade | 1 | W10189708 |
| 20 | | Roll Pin | 1 | 489229 |
| 21 | | Auger | 1 | W10295082 |
| 22 | | Drum | 1 | 2305377 |
| 23 | | Baffle, Floating | 1 | 2171682 |
| 24 | | Nut, Bearing | 1 | 1119018 |
| 25 | | Control Arm | 1 | 2155231 |
| 26 | | Spring, Return | 1 | 1119020 |
| 27 | | Retainer Clip, Rod Dispenser | 1 | 1119021 |
| 28 | | Screw | ** | ***** |
| 29 | | Housing, Crusher | 1 | W10185018 |
| 30 | | Deflector, Ice | 1 | 1119017 |
| 31 | | Washer, Plain Upper Cam | 1 | 489234 |
| 32 | | Ring, Retainer | 1 | 489236 |
| 33 | | Font Cover, Ice Container | 1 | W10189274 |
| 34 | | Ice Door | 1 | W10406979 |
| 35 | | Coupling, Ice Conveyor | 1 | W10698668 |
| | | Ice Container Complete | | W10558424 |

Distribuidor Autorizado

SurteRápido.com

Venta de Refacciones
Electrodomesticas

REFRIGERADOR WD2105D00

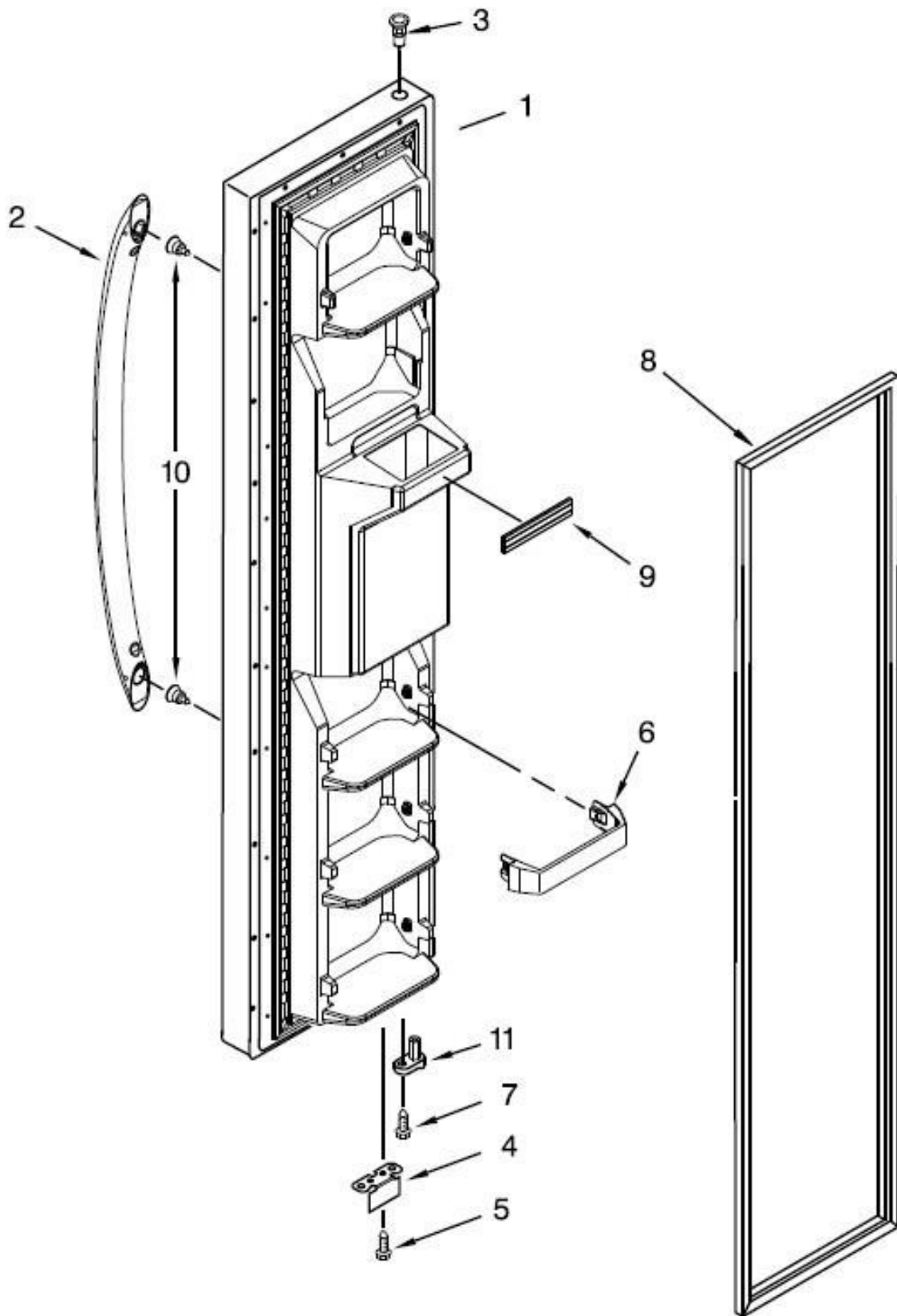




REFRIGERADOR WD2105D00

| No. Ilus. | DESCRIPCIÓN | Cant. | No. de Parte |
|--------------|------------------------------------|-------|--------------|
| 1 | Refrigerator Door (Incluye item 4) | 1 | W10548348 |
| 2 | Door Compartment | 1 | 2256101 |
| 3 | Bin, Door | 3 | 2203828 |
| 4 | Door Gasket Magnetic | 1 | 2309653 |
| 5 | Handle | 1 | W10274730 |
| 6 | Thimble | 1 | 2182181 |
| 7 | Trivet | 1 | 2309941 |
| 8 | Door Closer, Upper Cam | 1 | 2182178 |
| 9 | Screw | ** | ***** |
| 10 | Bracket, Door Stop | 1 | W10219801 |
| 11 | Nameplate | 1 | W10393264 |
| 12 | Screw | ** | ***** |
| 13 | Screw | ** | ***** |

REFRIGERADOR WD2105D00



Distribuidor Autorizado

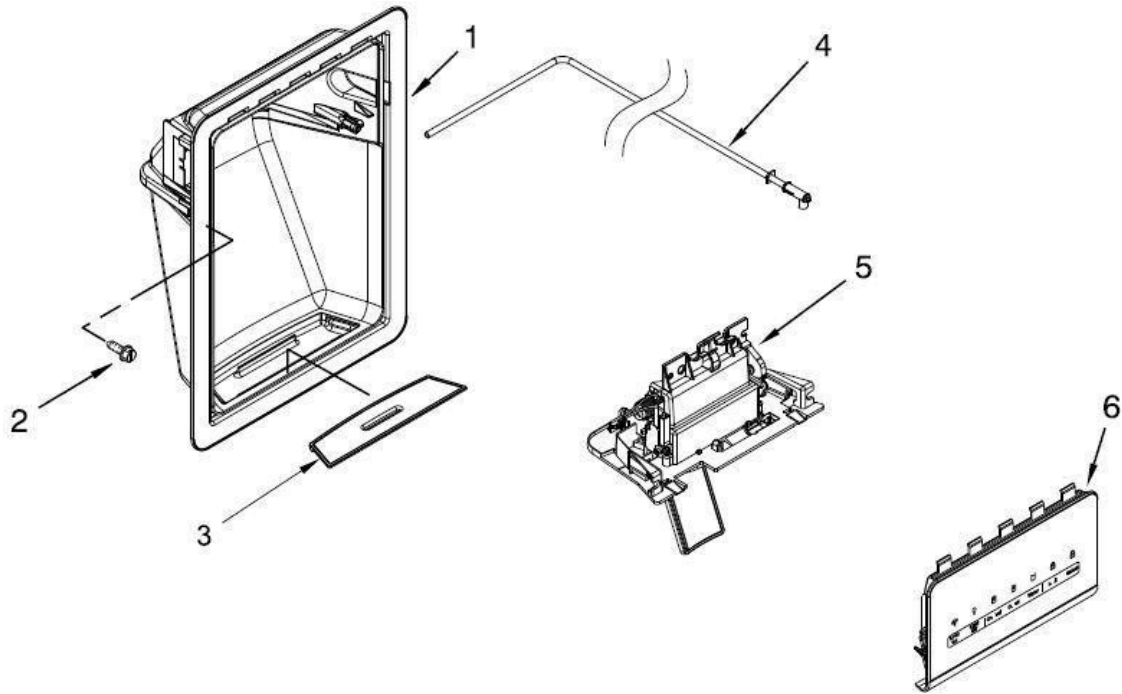
SurteRápido.com

Venta de Refacciones
Electrodomesticas

REFRIGERADOR WD2105D00

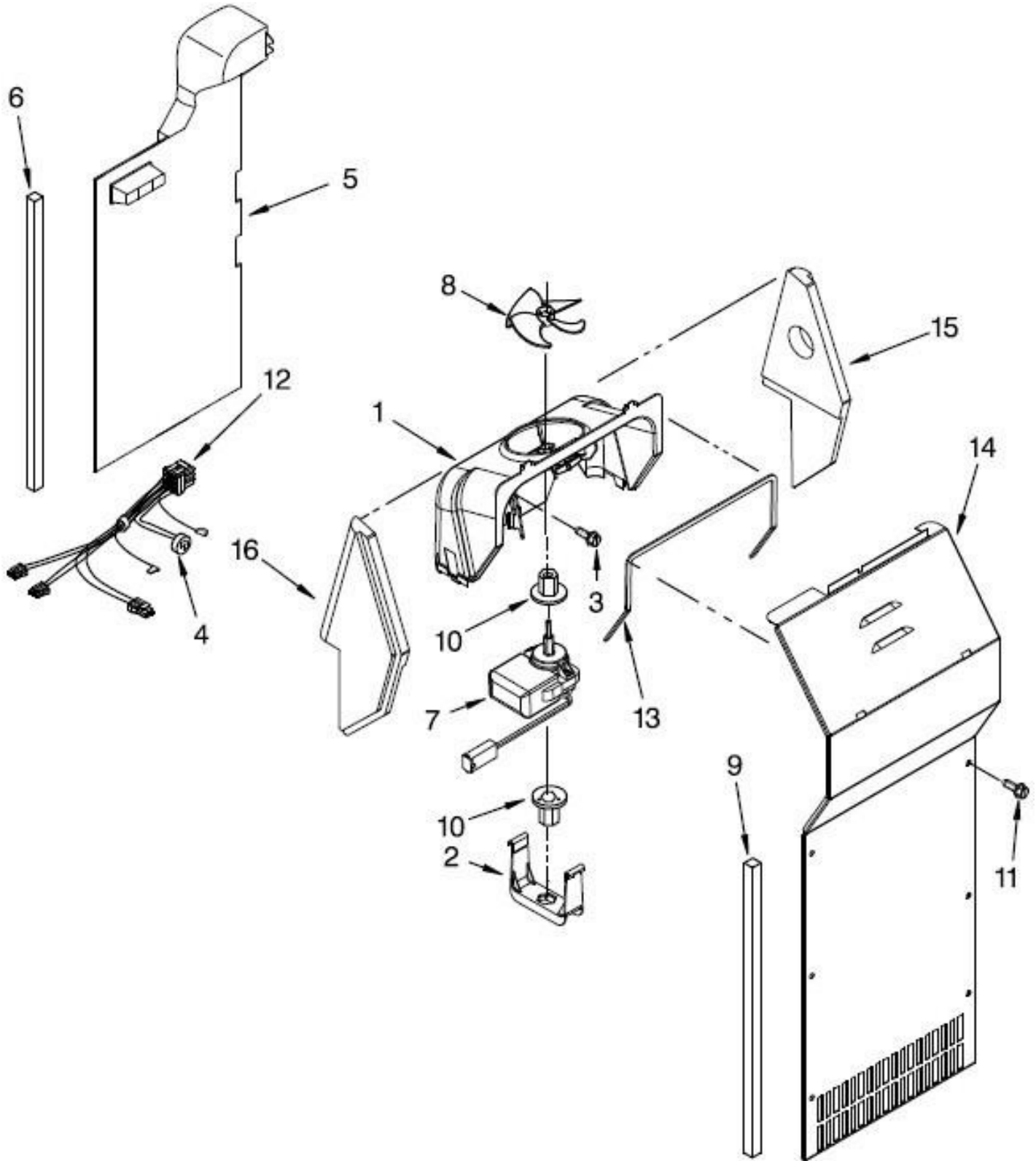
| No. Ilus. | DESCRIPCIÓN | Cant. | No. de Parte |
|-----------|---|-------|--------------|
| 1 | Freezer Door (Incluye Item 8 & Dispenser Front Parts) | 1 | W10651550 |
| 2 | Handle | 1 | W10274730 |
| 3 | Thimble | 1 | 2182181 |
| 4 | Bracket, Door Stop | 1 | 2306940 |
| 5 | Screw | ** | ***** |
| 6 | Trim, Door | 3 | 2309717 |
| 7 | Screw | ** | ***** |
| 8 | Door Gasket Magnetic | 1 | 2309654 |
| 9 | Trim, Door Shelf | 1 | W10307492 |
| 10 | Screw | ** | ***** |
| 11 | Door Closer, Upper Cam | 1 | 2223752 |

REFRIGERADOR WD2105D00



| No. Ilus. | DESCRIPCION | Cant. | No. de Parte |
|-----------|-------------------------------------|-------|--------------|
| 1 | Housing, Dispenser (No Serviciable) | ** | ***** |
| 2 | Screw | ** | ***** |
| 3 | Grille, Overflow | 1 | W10397394 |
| 4 | Water Fitting Assembly | 1 | W10397435 |
| 5 | Separator Assembly | 1 | W10616142 |
| 6 | UI Assembly Control | 1 | W10397957 |

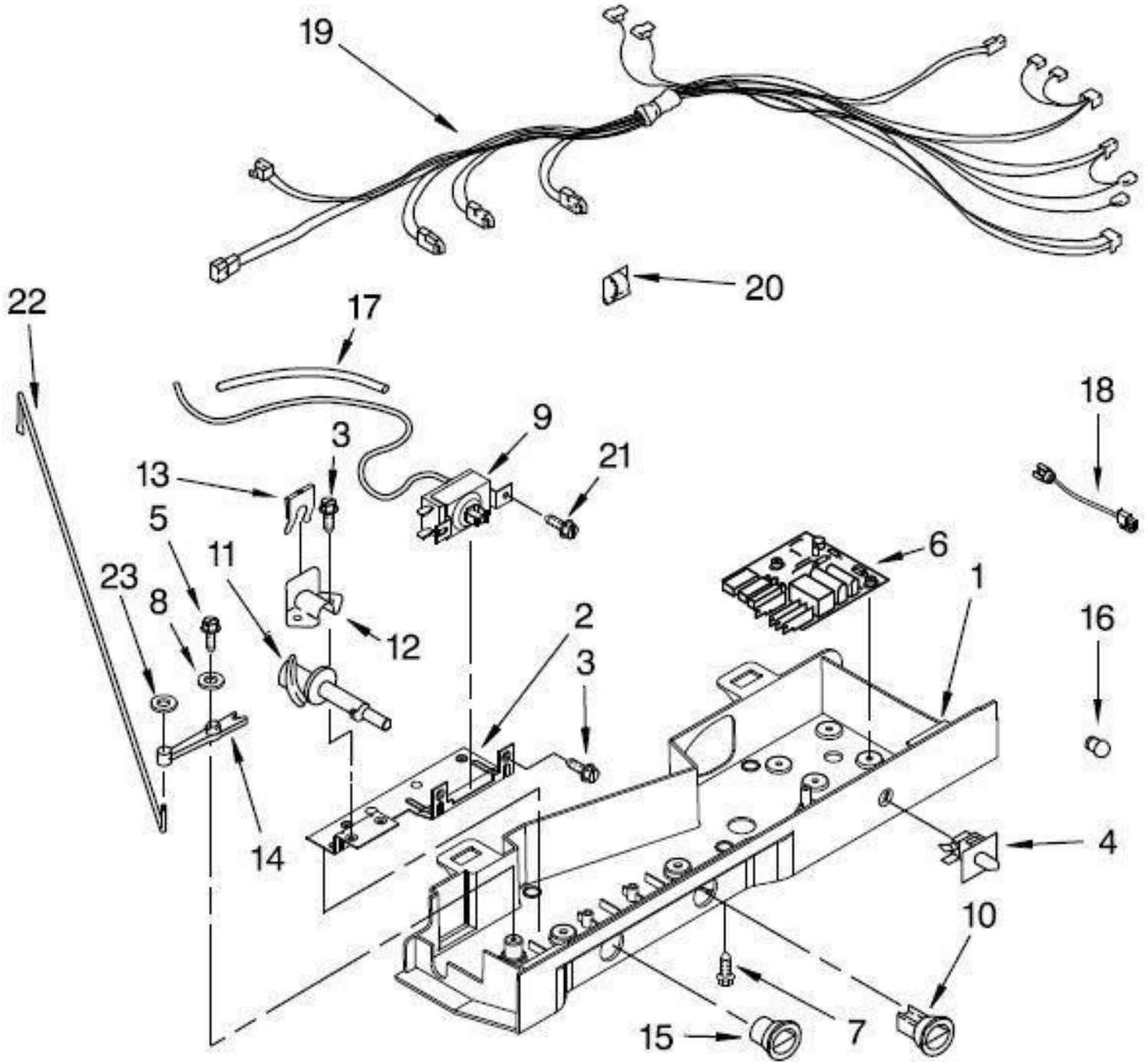
REFRIGERADOR WD2105D00



REFRIGERADOR WD2105D00

| No. | DESCRIPCIÓN | Cant. | No. de Parte |
|------------|------------------------------|--------------|---------------------|
| 1 | Scroll, Fan | 1 | 2182120 |
| 2 | Retainer, Fan Motor | 1 | 2155590 |
| 3 | Screw | ** | ***** |
| 4 | BI-Metal, Defrost | 1 | W10225581 |
| 5 | Air Duct Freezer | 1 | W10166220 |
| 6 | Gasket | 1 | 2155789 |
| 7 | Fan Motor | 1 | W10312647 |
| 8 | Blade, Fan | 1 | 2169142 |
| 9 | Gasket, Evaporator Cover | 2 | 2304241 |
| 10 | Grommet, Motor | 2 | 2176759 |
| 11 | Screw | ** | ***** |
| 12 | Harness, Fan Tube Evaporator | 1 | W10297482 |
| 13 | Gasket, Evaporator Cover | 2 | 2304241 |
| 14 | Cover, Evaporator | 1 | W10463010 |
| 15 | Support, Right Hand | 1 | 2203595 |
| 16 | Support, Left Hand | 1 | 2203596 |

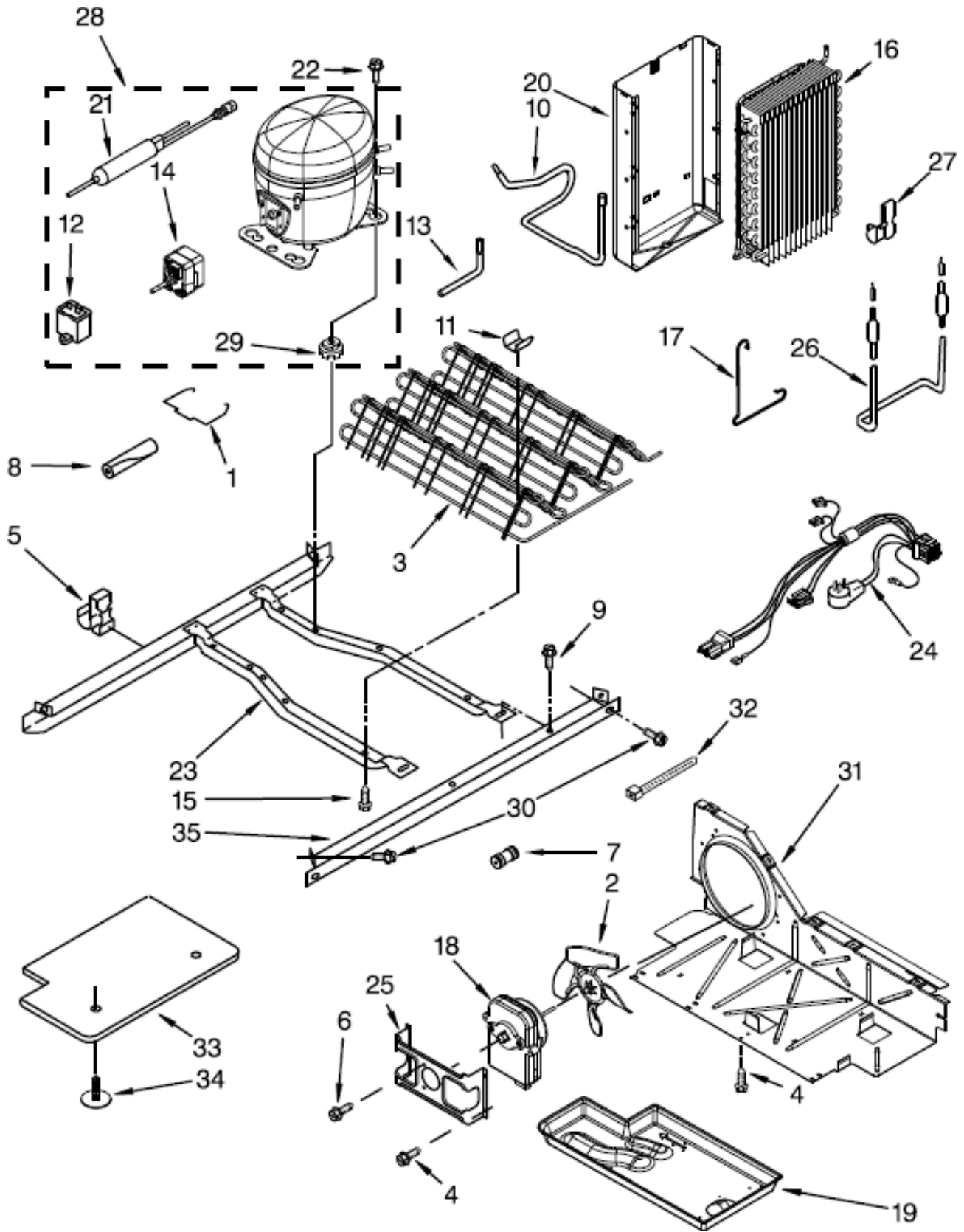
REFRIGERADOR WD2105D00



REFRIGERADOR WD2105D00

| No. | DESCRIPCIÓN | Cant. | No. de Parte |
|------------|-----------------------------|--------------|---------------------|
| 1 | Control Box | 1 | W10482525 |
| 2 | Mounting Bracket | 1 | 2311611 |
| 3 | Screw | ** | ***** |
| 4 | Switch, Pluger | 1 | 2219875 |
| 5 | Screw | ** | ***** |
| 6 | Adaptative, Defrost Control | 1 | W10366605 |
| 7 | Screw | ** | ***** |
| 8 | Washer, Spring | ** | ***** |
| 9 | Thermostat Assembly | 1 | W10583800 |
| 10 | Knob, Thermostat | 1 | 2311614 |
| 11 | Cam Assembly | 1 | 2182195 |
| 12 | Bearing Body | 1 | 1110560 |
| 13 | Damper, Control | 1 | 2196062 |
| 14 | Pivot Arm | 1 | 1110559 |
| 15 | Knob, Control | 1 | 2311615 |
| 16 | Lens, Light | 1 | 2200096 |
| 17 | Tube, Barrier | 1 | 2196001 |
| 18 | LED Light Assembly, | 1 | 2213462 |
| 19 | Control Box Harness | 1 | W10354806 |
| 20 | Clip, Wire | 1 | 1115374 |
| 21 | Screw | ** | ***** |
| 22 | Connecting Rod | 1 | 2311631 |
| 23 | Fastener, Push-On | ** | ***** |

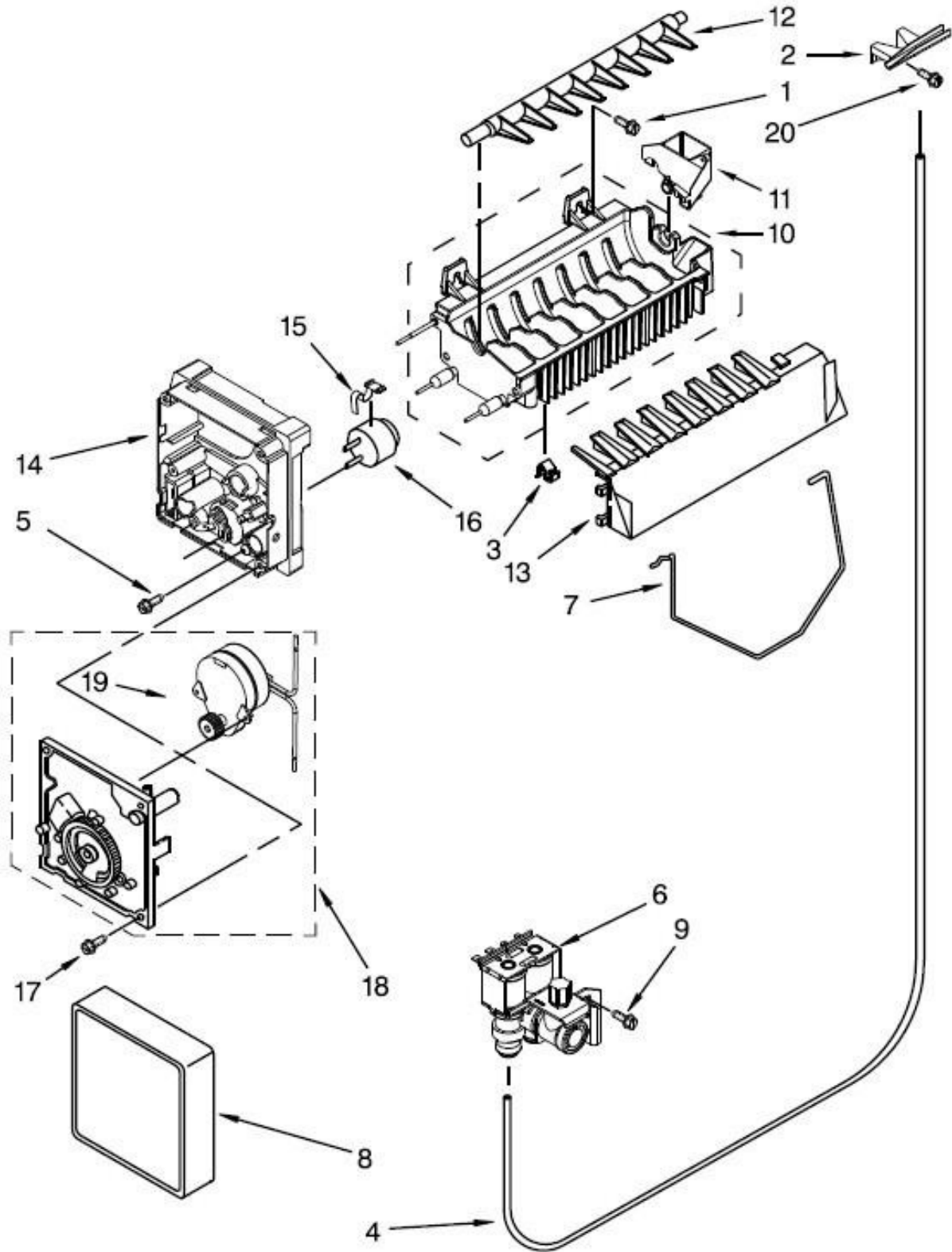
REFRIGERADOR WD2105D00



REFRIGERADOR WD2105D00

| No. Ilus. | DESCRIPCIÓN | Cant. | No. de Parte |
|--------------|---|-------|--------------|
| 1 | Strap, Bale | 1 | W10204187 |
| 2 | Blade, Fan | 1 | 12825802 |
| 3 | Condenser Assembly | 1 | W10222348 |
| 4 | Screw | ** | ***** |
| 5 | Clip, Wire | 3 | 2326941 |
| 6 | Screw | ** | ***** |
| 7 | Connector, Water Tube | 1 | W10271541 |
| 8 | Sleeve, Pressure Switch Hose | 1 | 2161302 |
| 9 | Screw | ** | ***** |
| 10 | Tube, Suction | 1 | 2205765 |
| 11 | Clip, Condenser | 2 | 2311725 |
| 12 | Capacitor | 1 | W10350564 |
| 13 | Tube, Process | ** | ***** |
| 14 | Start Device Combination (Start and Overload) | 1 | W10197427 |
| 15 | Screw | ** | ***** |
| 16 | Evaporator, FC | 1 | 2188822 |
| 17 | Clip, Defrost Heater | 2 | 2161324 |
| 18 | Motor, Condenser | 1 | W10508362 |
| 19 | Tray, Evaporator | 1 | W10614158 |
| 20 | Heat Shield and Drain Pan | 1 | W10194474 |
| 21 | Drier | 1 | W10177049 |
| 22 | Screw | ** | ***** |
| 23 | Frame, Unit Mounting | 1 | W10123397 |
| 24 | Unit, Harness | 1 | W10417916 |
| 25 | Bracket, Fan Motor | 1 | 2181929 |
| 26 | Heater, Defrost | 1 | W10495967 |
| 27 | Clip, Defrost Heater | 2 | 2161324 |
| 28 | Compressor | 1 | W10317997 |
| 29 | Grommet | 4 | 10835903 |
| 30 | Bolt | 2 | 489340 |
| 31 | Air Baffle | 1 | W10332806 |
| 32 | Tie, Wire | 1 | 2263990 |
| 33 | Unit Cover, Bottom | 1 | W10466693 |
| 34 | Clip | 2 | 489396 |
| 35 | Rail, Unit Mounting | 1 | W10196313 |

REFRIGERADOR WD2105D00



REFRIGERADOR WD2105D00

| No. | Ilus. | DESCRIPCIÓN | Cant. | No. de Parte |
|--|--------------|-------------------------|--------------|-------------------------|
| 1 | | Screw | ** | ***** |
| 2 | | Chute, Water | 1 | 2209774 |
| 3 | | Clip, Thermal Fuse | 1 | 628379 |
| 4 | | Tube, Water | 1 | W10357069 |
| 5 | | Screw | ** | ***** |
| 6 | | Filter Valve Assembly | 1 | W10179146 |
| 7 | | Arm, Shutt Off | 1 | 2304354 |
| 8 | | Cover, Icemaker | 1 | W10289690 |
| 9 | | Screw | ** | ***** |
| 10 | | Assembly, Mold & Heater | 1 | W10300025 |
| 11 | | Cup-Water Fill | 1 | W10435665 |
| 12 | | Ejector, Arm | 1 | W10318914 |
| 13 | | Stripper, Ice | 1 | W10122563 |
| 14 | | Support | 1 | 2195914 |
| 15 | | Retainer, Thermostat | 2 | 2315522 |
| 16 | | Thermostat | 1 | 2321258 |
| 17 | | Screw | ** | ***** |
| 18 | | Assembly, Module | 1 | 626691 |
| 19 | | Motor (No Servicable) | ** | ***** |
| 20 | | Screw | ** | ***** |
| <u>Complete Icemaker Assembly</u> | | | | <u>W10300022</u> |