

# EXPLOSIONADO DE PARTES

## — REFRIGERADOR DÚPLEX —

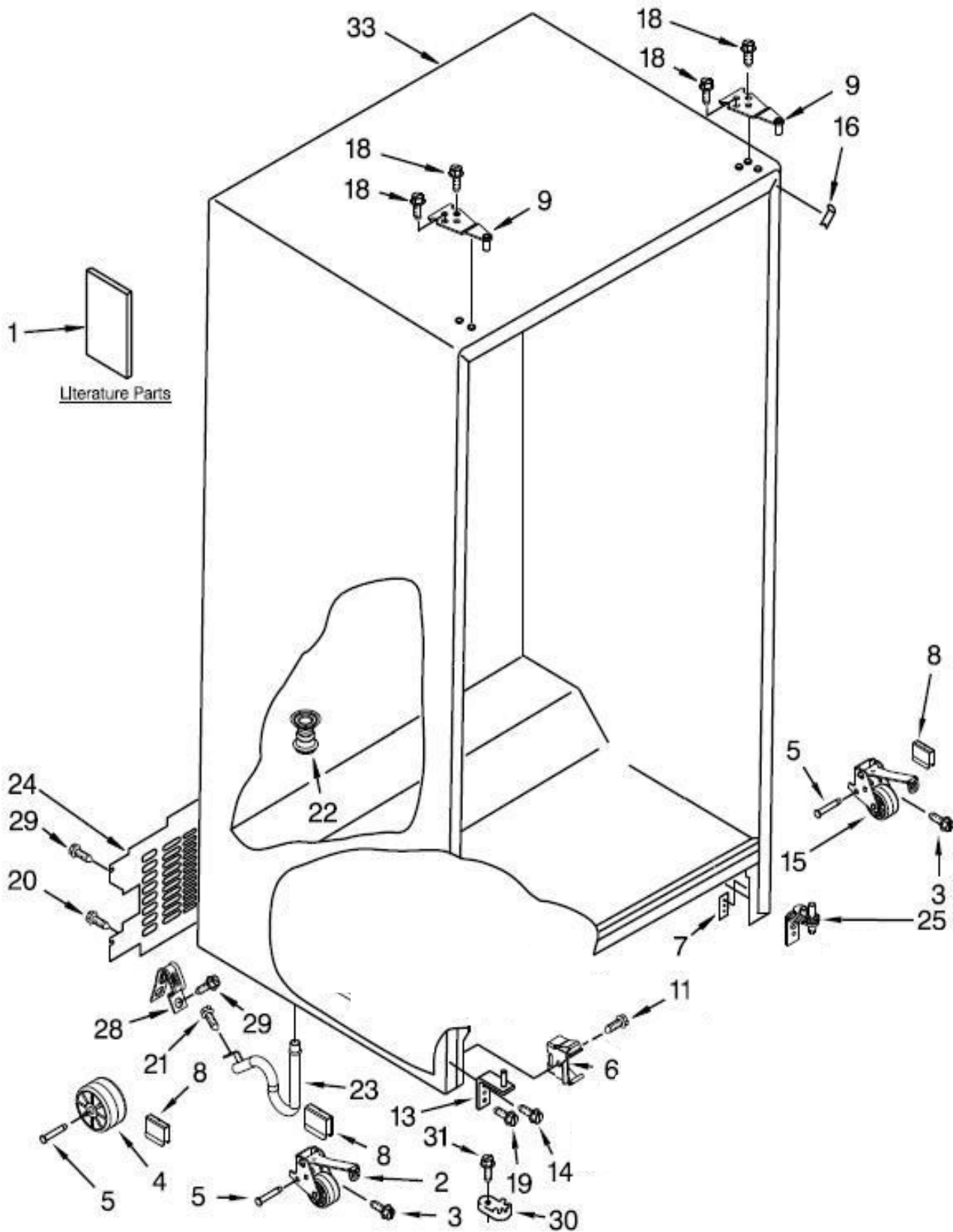
MODELO | WD2505Q00

Distribuidor Autorizado

**SurteRápido.com**

Venta de Refacciones  
Electrodomesticas

# REFRIGERADOR WD2505Q00



Distribuidor Autorizado

**SurteRápido.com**

Venta de Refacciones  
Electrodomesticas

# REFRIGERADOR WD2505Q00

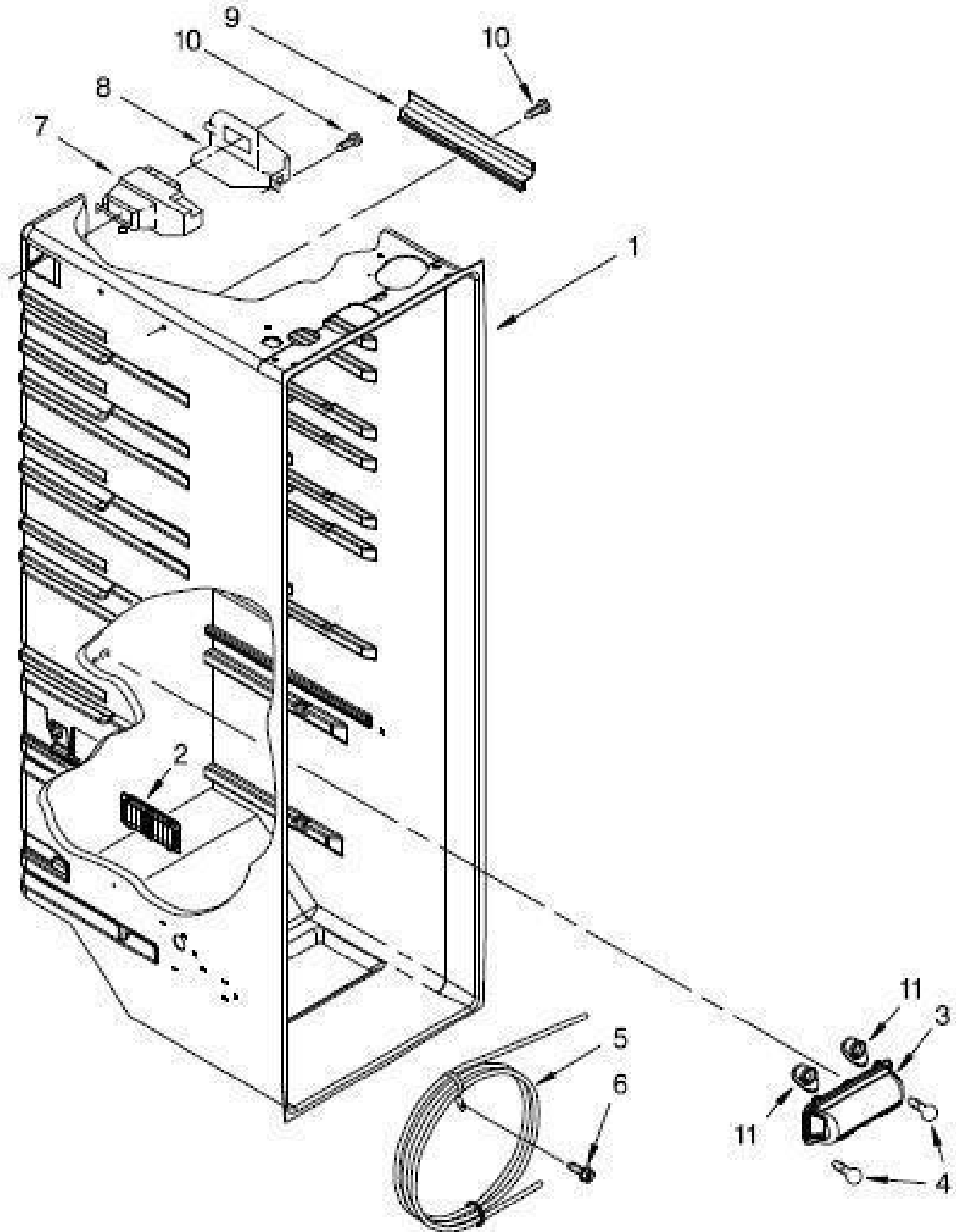
<b>No.</b>	<b>DESCRIPCIÓN</b>	<b>Cant.</b>	<b>No. de Parte</b>
<b>1</b>	Literature Parts	**	*****
<b>2</b>	Roller	1	W10304660
<b>3</b>	Screw	**	*****
<b>4</b>	Roller	1	W10475495
<b>5</b>	Axle, Roller	1	2262072
<b>6</b>	Clip, Grille	2	2155013
<b>7</b>	Plate, Screw	1	2304249
<b>8</b>	Clip, Roller	1	2174706
<b>9</b>	Top Hinge	2	W10704885
<b>10</b>	Screw	**	*****
<b>11</b>	Screw	**	*****
<b>13</b>	Hinge, Bottom FC	1	W10414753
<b>14</b>	Screw	**	*****
<b>15</b>	Front Roller Right	1	W10304659
<b>16</b>	Filler, Wrapper	2	W10283959
<b>18</b>	Screw, Hinge	**	*****
<b>19</b>	Screw	**	*****
<b>20</b>	Screw	**	*****
<b>21</b>	Screw	**	*****
<b>22</b>	Drain Fitting	1	2304888
<b>23</b>	Extension, Drain Fitting	1	W10153550
<b>24</b>	Cover Unit	1	2220757
<b>25</b>	Hinge, Bottom RC	1	W10714071
<b>28</b>	Clamp, Power Cord	1	W10303628
<b>29</b>	Screw	**	*****
<b>30</b>	Door Closer, Freezer	1	2223751
<b>31</b>	Screw	**	*****
<b>33</b>	Cabinet (No Serviciable)	**	*****

Distribuidor Autorizado

SurteRápido.com

Venta de Refacciones  
Electrodomesticas

# REFRIGERADOR WD2505Q00



Distribuidor Autorizado

**SurteRápido.com**

Venta de Refacciones  
Electrodomesticas



## REFRIGERADOR WD2505Q00

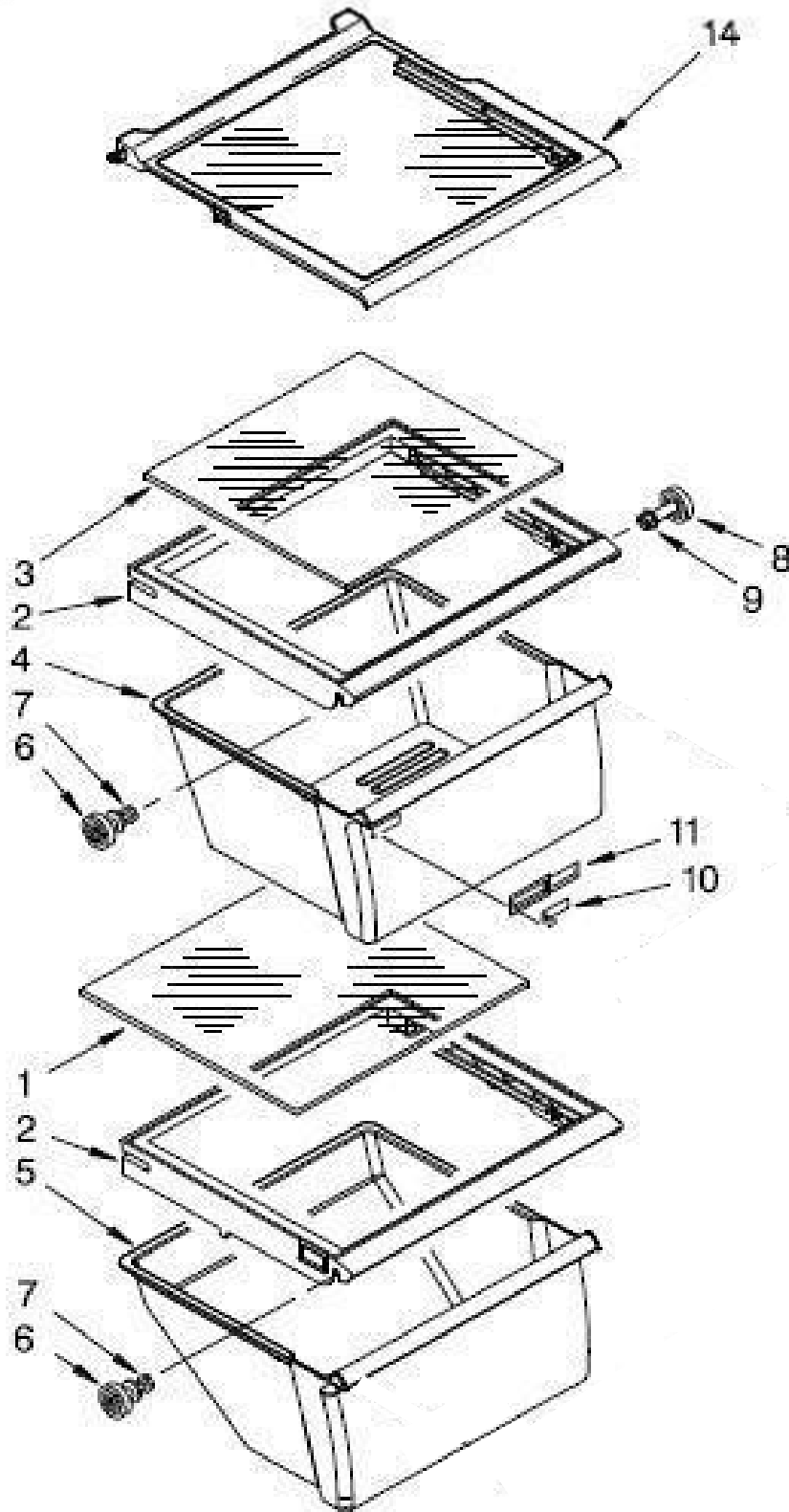
<b>No.</b>			
<b>Ilus.</b>	<b>DESCRIPCIÓN</b>	<b>Cant.</b>	<b>No. de Parte</b>
<b>1</b>	Liner (No Serviciable)	**	*****
<b>2</b>	Louver	1	W10550195
<b>3</b>	Light Lens	1	W10166130
<b>4</b>	Bulb, Light	1	W10311505
<b>5</b>	Reservoir	1	W10276792
<b>6</b>	Screw	**	*****
<b>7</b>	Air Diffuser Assembly	1	W10151374
<b>8</b>	Cover, Air Diffuser	1	2152019
<b>9</b>	Cover, Wiring	1	W10252495
<b>10</b>	Screw	**	*****

Distribuidor Autorizado

SurteRápido.com

Venta de Refacciones  
Electrodomesticas

# REFRIGERADOR WD2505Q00



Distribuidor Autorizado

**SurteRápido.com**

Venta de Refacciones  
Electrodomesticas

## REFRIGERADOR WD2505Q00

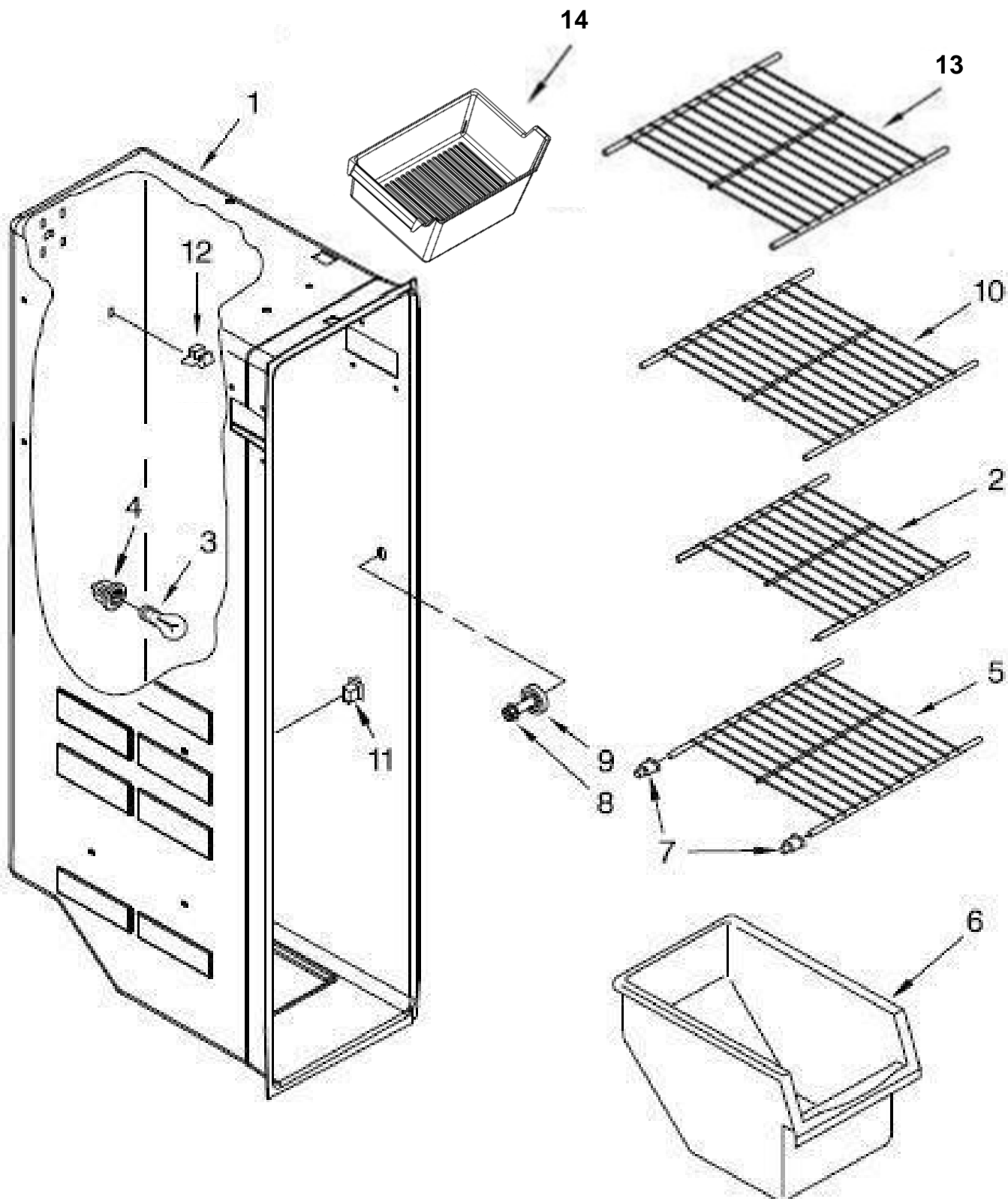
<b>No. Ilus.</b>	<b>DESCRIPCIÓN</b>	<b>Cant.</b>	<b>No. de Parte</b>
1	Glass, Cover	1	2179259
2	Cover, Crisper	2	2209698
3	Glass, Cover	1	2179259
4	Crisper, Pan	1	2188652
5	Pan, Meat	1	2188654
6	Stud, Assembly	2	W10173126
7	Screw	**	*****
8	Stud Assembly	1	W10173127
9	Screw	**	*****
10	Slide, Humidity Control	1	2179342
11	Body, Humidity Control	1	2179343
14	Shelf Assembly, Spillguard	1	W10276348

Distribuidor Autorizado

SurteRápido.com

Venta de Refacciones  
Electrodomesticas

# REFRIGERADOR WD2505Q00





Distribuidor Autorizado

**SurteRápido.com**

Venta de Refacciones  
Electrodomesticas



## REFRIGERADOR WD2505Q00

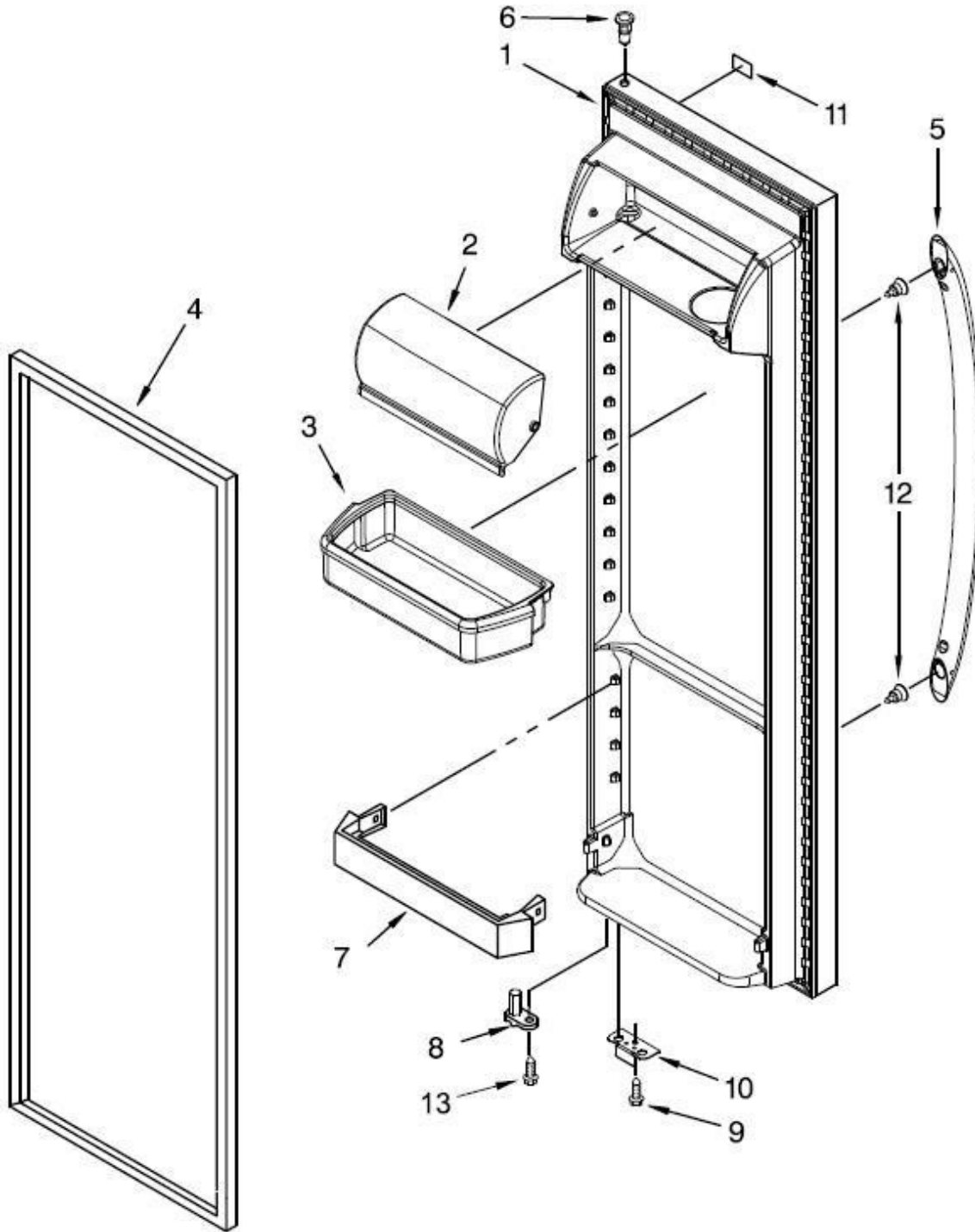
<u>No. Ilus.</u>	<u>DESCRIPCIÓN</u>	<u>Cant.</u>	<u>No. de Parte</u>
1	Liner (No Serviciable)	**	*****
2	Shelf, Wire	1	W10318960
3	Bulb, Light	1	W10311505
4	Socket, Light	1	2162085
5	Shelf, Wire	1	W10318952
6	Freezer Bin	1	2309758
7	Cup, Shelf	12	W10130299
8	Screw	**	*****
9	Stud Assembly	1	W10173127
10	Shelf, Wire	1	W10318953
11	Switch, Rocker Arm	1	2321285
12	Clip, Air Duct	2	2315163
13	Shelf, Wire	1	W10318953
14	Ice Cube Pan	1	2166261
15	Screw	**	*****

Distribuidor Autorizado

SurteRápido.com

Venta de Refacciones  
Electrodomesticas

# REFRIGERADOR WD2505Q00



Distribuidor Autorizado

**SurteRápido.com**

Venta de Refacciones  
Electrodomesticas



## REFRIGERADOR WD2505Q00

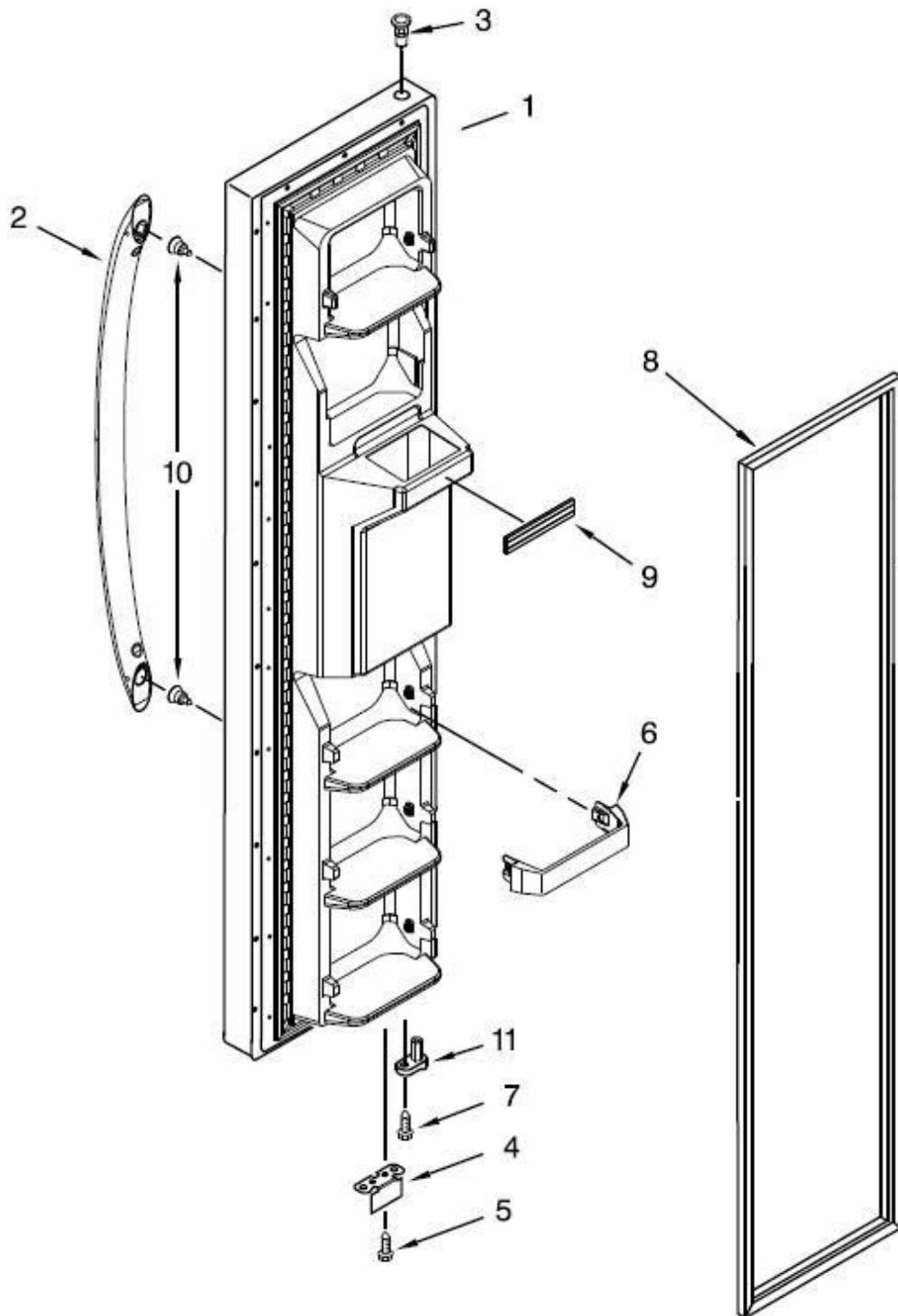
<b>No. Ilus.</b>	<b>DESCRIPCIÓN</b>	<b>Cant.</b>	<b>No. de Parte</b>
1	Refrigerator Door (Incluye ítem 4)	1	W10428790
2	Door Compartment	1	2256101
3	Bin, Door	3	2203828
4	Door Gasket Magnetic	1	2309600
5	Handle	1	W10713676
6	Thimble	1	2182181
7	Trivet	1	2309941
8	Door Closer, Upper Cam	1	2182178
9	Screw	**	*****
10	Bracket, Door Stop	1	W10219801
11	Nameplate	1	W10511975
12	Screw	**	*****
13	Screw	**	*****

Distribuidor Autorizado

SurteRápido.com

Venta de Refacciones  
Electrodomesticas

# REFRIGERADOR WD2505Q00



Distribuidor Autorizado

**SurteRápido.com**

Venta de Refacciones  
Electrodomesticas



## REFRIGERADOR WD2505Q00

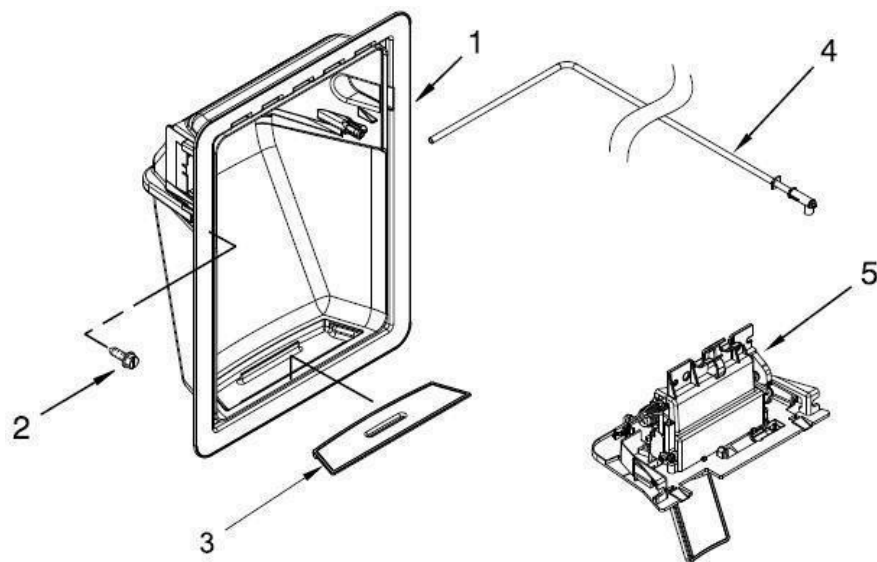
No. Ilus.	DESCRIPCIÓN	Cant.	No. de Parte
1	Freezer Door (Incluye Item 8 & Dispenser Front Parts)	1	W10729217
2	Handle	1	W10713676
3	Thimble	1	2182181
4	Bracket, Door Stop	1	2306940
5	Screw	**	*****
6	Trim, Door	3	2309717
7	Screw	**	*****
8	Door Gasket Magnetic	1	2309604
9	Trim, Door Shelf	1	W10307492
10	Screw	**	*****
11	Door Closer, Upper Cam	1	2223752

Distribuidor Autorizado

**SurteRápido.com**

Venta de Refacciones  
Electrodomesticas

# REFRIGERADOR WD2505Q00



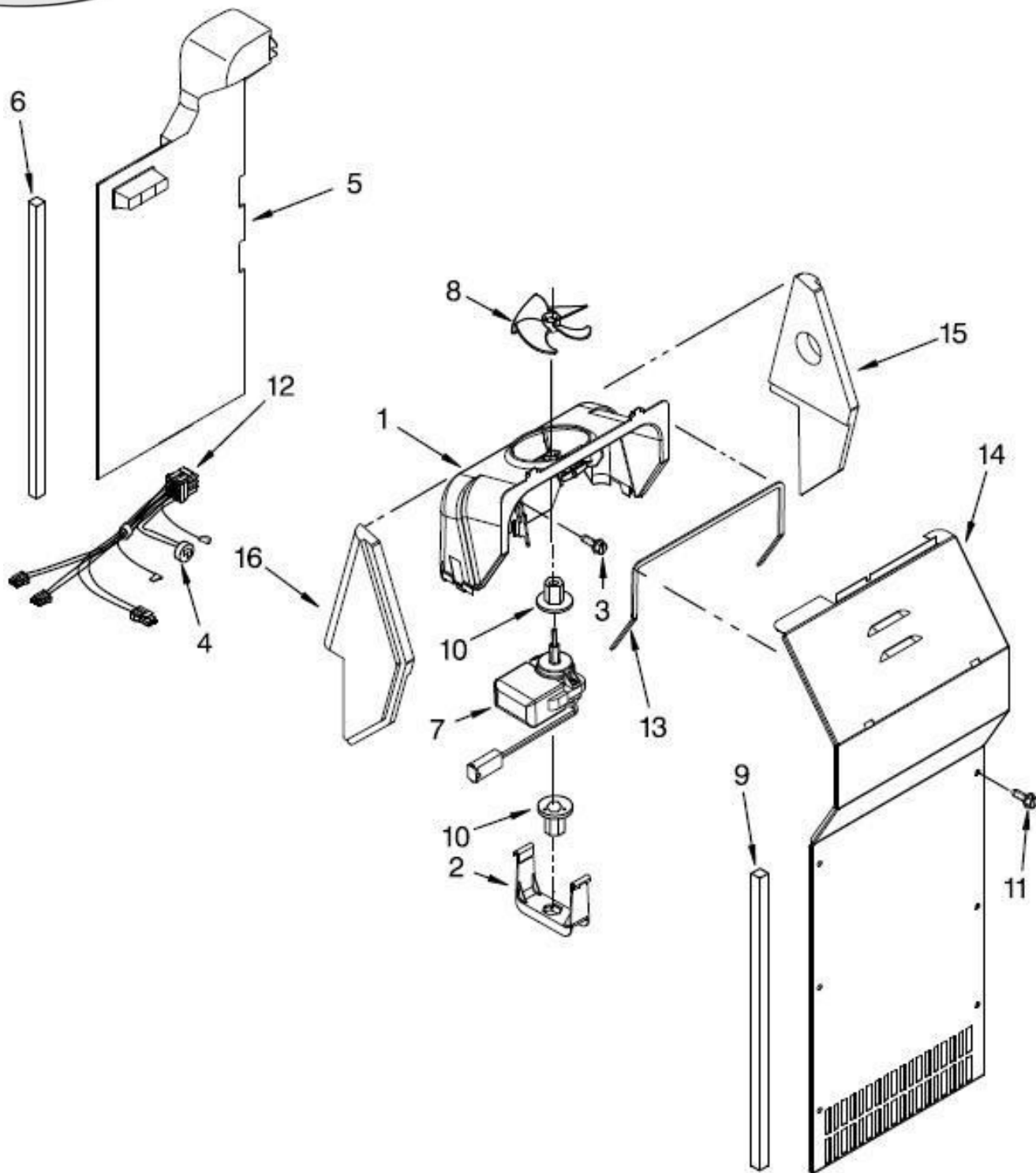
No. Ilus.	DESCRIPCIÓN	Cant.	No. de Parte
1	Housing, Dispenser (No Servicable)	**	*****
2	Screw	**	*****
3	Grille, Overflow	1	W10397392
4	Water Fitting Assembly	1	W10397435
5	Separator Assembly	1	W10723728

Distribuidor Autorizado

SurteRápido.com

Venta de Refacciones  
Electrodomesticas

# REFRIGERADOR WD2505Q00



Distribuidor Autorizado

**SurteRápido.com**

Venta de Refacciones  
Electrodomesticas



## REFRIGERADOR WD2505Q00

<b>No.</b>			
<b>Ilus.</b>	<b>DESCRIPCIÓN</b>	<b>Cant.</b>	<b>No. de Parte</b>
1	Scroll, Fan	1	2182119
2	Retainer, Fan Motor	1	2155590
3	Screw	**	*****
4	BI-Metal, Defrost	1	W10225581
5	Air Duct Freezer	1	W10166220
6	Gasket	1	2155788
7	Fan Motor	1	W10508362
8	Blade, Fan	1	2169142
9	Gasket, Evaporator Cover	2	2304241
10	Grommet, Motor	2	2176759
11	Screw	**	*****
12	Harness, Fan Tube Evaporator	1	W10297482
13	Gasket, Evaporator Cover	2	W10252476
14	Cover, Evaporator	1	W10463010
15	Support, Right Hand	1	2203595
16	Support, Left Hand	1	2203596

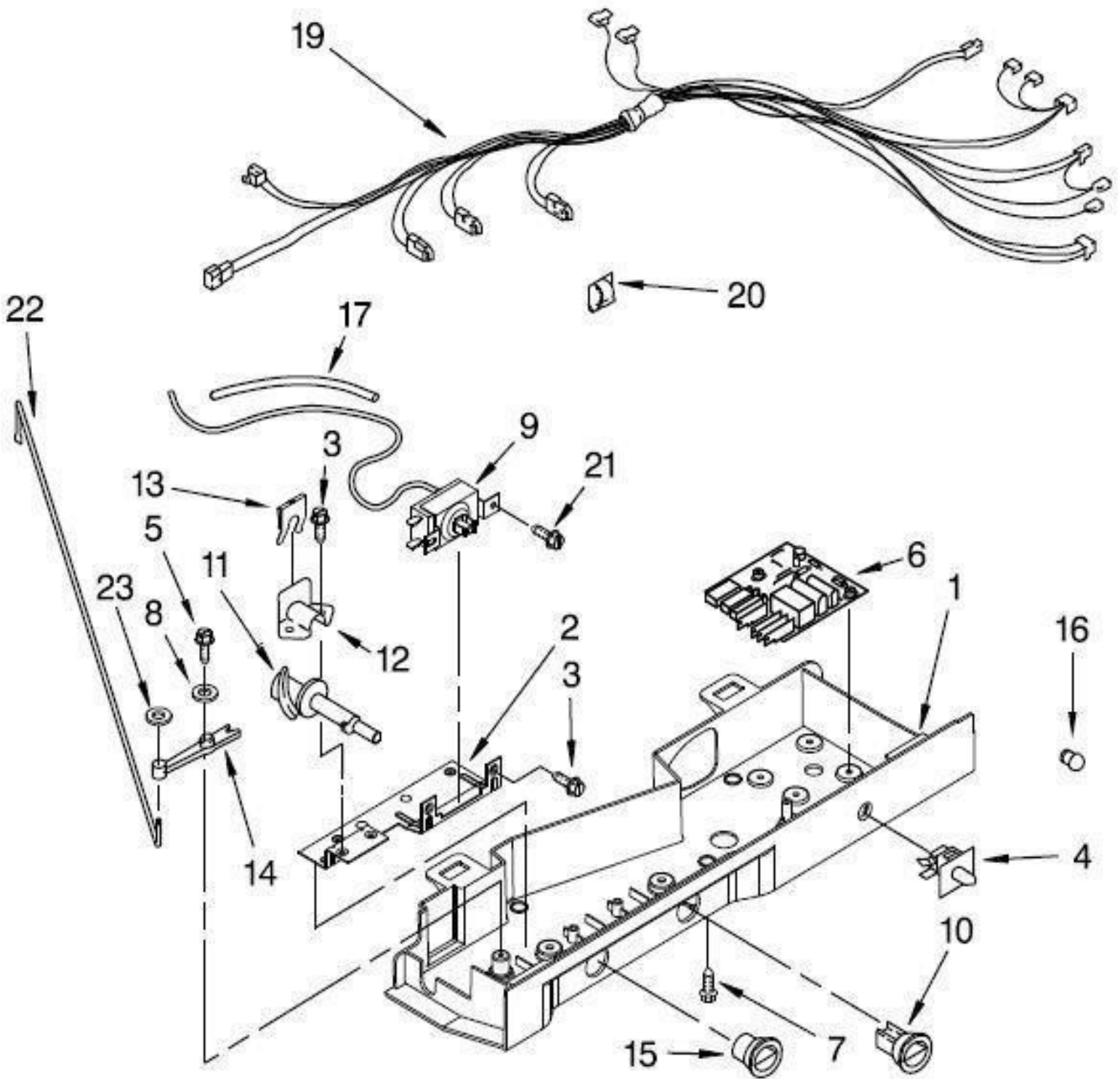


Distribuidor Autorizado

SurteRápido.com

Venta de Refacciones  
Electrodomesticas

# REFRIGERADOR WD2505Q00





# REFRIGERADOR WD2505Q00

**Color:** Blanco      **Capacidad:** 22 pies

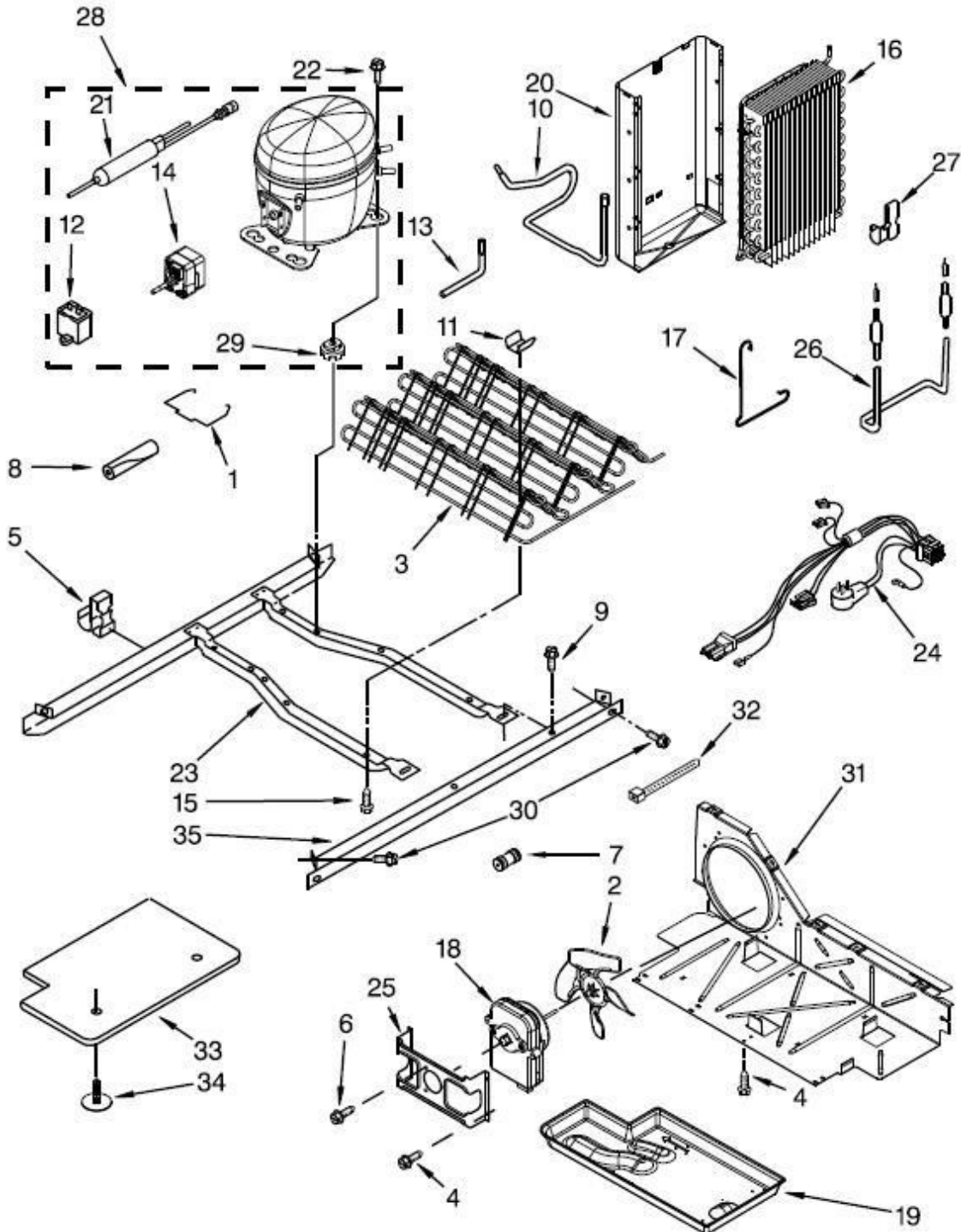
No. Ilus.	DESCRIPCIÓN	Cant.	No. de Parte
1	Control Box	1	W10723712
2	Mounting Bracket	1	2311611
3	Screw	**	*****
4	Switch, Pluger	1	2219875
5	Screw	**	*****
6	Adaptative, Defrost Control	1	W10366605
7	Screw	**	*****
8	Washer, Spring	**	*****
9	Thermostat Assembly	1	W10583800
10	Knob, Thermostat	1	2311614
11	Cam Assembly	1	2182195
12	Bearing Body	1	1110560
13	Damper, Control	1	2196062
14	Pivot Arm	1	1110559
15	Knob, Control	1	2311615
16	Lens, Light	1	2212340
17	Tube, Barrier	1	2196001
19	Control Box Harness	1	W10354806
20	Clip, Wire	1	1115374
21	Screw	**	*****
22	Connecting Rod	1	2311631
23	Fastener, Push-On	**	*****

Distribuidor Autorizado

SurteRápido.com

Venta de Refacciones  
Electrodomesticas

# REFRIGERADOR WD2505Q00



Distribuidor Autorizado

**SurteRápido.com**

Venta de Refacciones  
Electrodomesticas

# REFRIGERADOR WD2505Q00

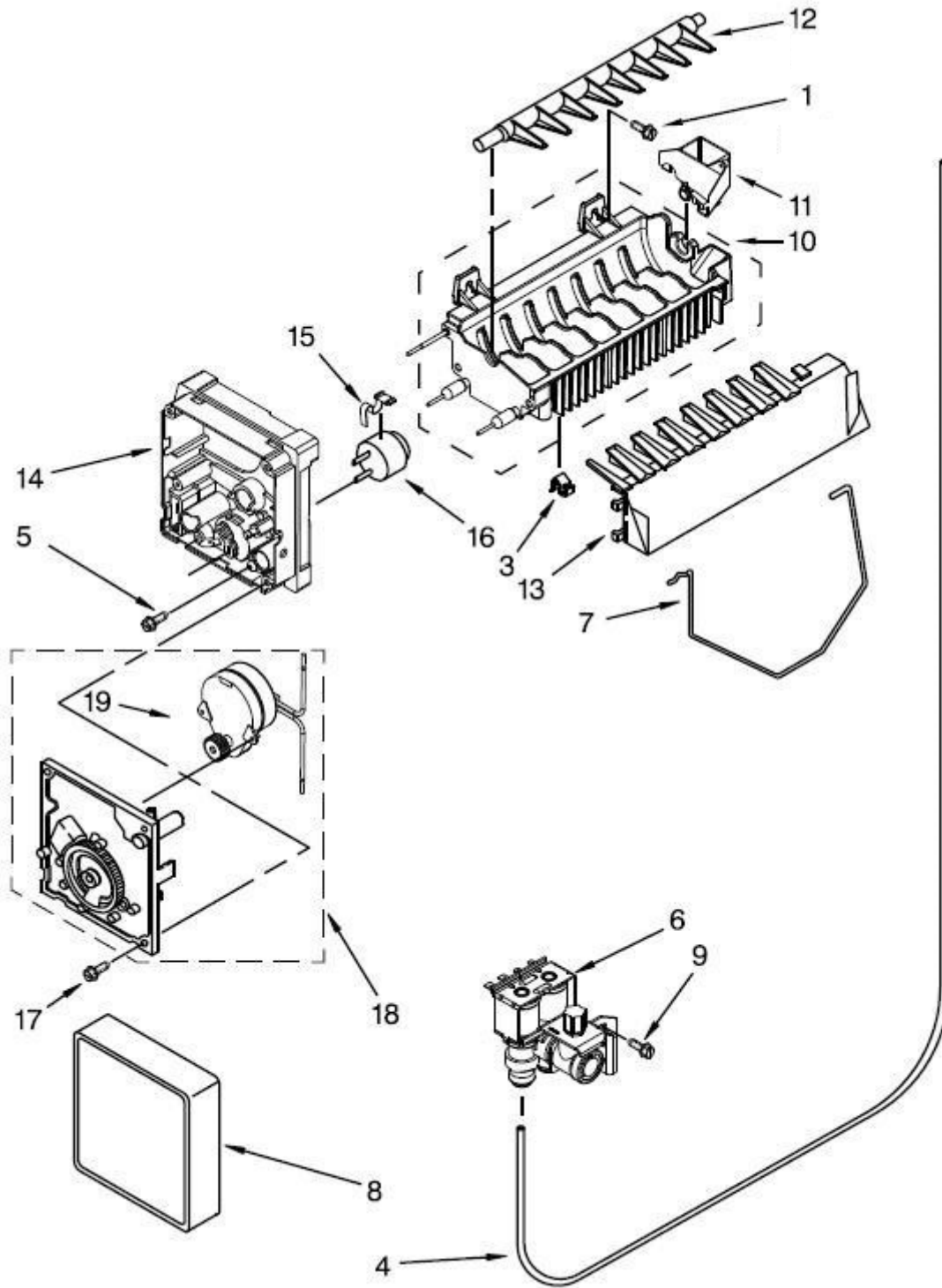
No. Ilus.	DESCRIPCIÓN	Cant.	No. de Parte
1	Strap, Bale	1	W10204187
2	Blade, Fan	1	12825802
3	Condenser Assembly	1	W10222348
4	Screw	**	*****
5	Clip, Wire	3	2326941
6	Screw	**	*****
7	Connector, Water Tube	1	W10271541
8	Sleeve, Pressure Switch Hose	1	2161302
9	Screw	**	*****
10	Tube, Suction	1	W10576271
11	Clip, Condenser	2	2311725
12	Capacitor	1	W10350564
13	Tube, Process	**	*****
14	Start Device Combination (Start and Overload)	1	W10197428
15	Screw	**	*****
16	Evaporator, FC	1	2188822
17	Clip, Defrost Heater	2	2161324
18	Motor, Condenser	1	W10508362
19	Tray, Evaporator	1	W10614158
20	Heat Shield and Drain Pan	1	W10194474
21	Drier	1	W10771114
22	Screw	**	*****
23	Frame, Unit Mounting	1	W10121351
24	Unit, Harness	1	W10670169
25	Bracket, Fan Motor	1	2181929
26	Heater, Defrost	1	W10495967
27	Clip, Defrost Heater	2	2161324
28	Compressor	1	W10317997
29	Grommet	4	10835903
30	Bolt	2	489340
31	Air Baffle	1	W10332806
32	Tie, Wire	1	2263990
33	Unit Cover, Bottom	1	W10466693
34	Clip	2	489396
35	Rail, Unit Mounting	1	W10207512

Distribuidor Autorizado

SurteRápido.com

Venta de Refacciones  
Electrodomesticas

# REFRIGERADOR WD2505Q00



Distribuidor Autorizado

**SurteRápido.com**

Venta de Refacciones  
Electrodomesticas



## REFRIGERADOR WD2505Q00

<u>No.</u>	<u>DESCRIPCIÓN</u>	<u>Cant.</u>	<u>No. de Parte</u>
<b>1</b>	Screw	**	*****
<b>3</b>	Clip, Thermal Fuse	1	628379
<b>4</b>	Tube, Water	1	W10357069
<b>5</b>	Screw	**	*****
<b>6</b>	Filter Valve Assembly	1	2188778
<b>7</b>	Arm, Shutt Off	1	2304354
<b>8</b>	Cover, Icemaker	1	W10289690
<b>9</b>	Screw	**	*****
<b>10</b>	Assembly, Mold & Heater	1	628228
<b>11</b>	Cup-Water Fill	1	W10435665
<b>12</b>	Ejector, Arm	1	627843
<b>13</b>	Stripper, Ice	1	W10699925
<b>14</b>	Support	1	2194712
<b>15</b>	Retainer, Thermostat	2	2315522
<b>16</b>	Thermostat	1	627985
<b>17</b>	Screw	**	*****
<b>18</b>	Assembly, Module	1	626691
<b>19</b>	Motor (No Serviciable)	**	*****
<b>20</b>	Screw	**	*****
<b><u>Complete Icemaker Assembly</u></b>			<b><u>W10754511</u></b>