

# EXPLOSIONADO DE PARTES

— REFRIGERADOR DÚPLEX —

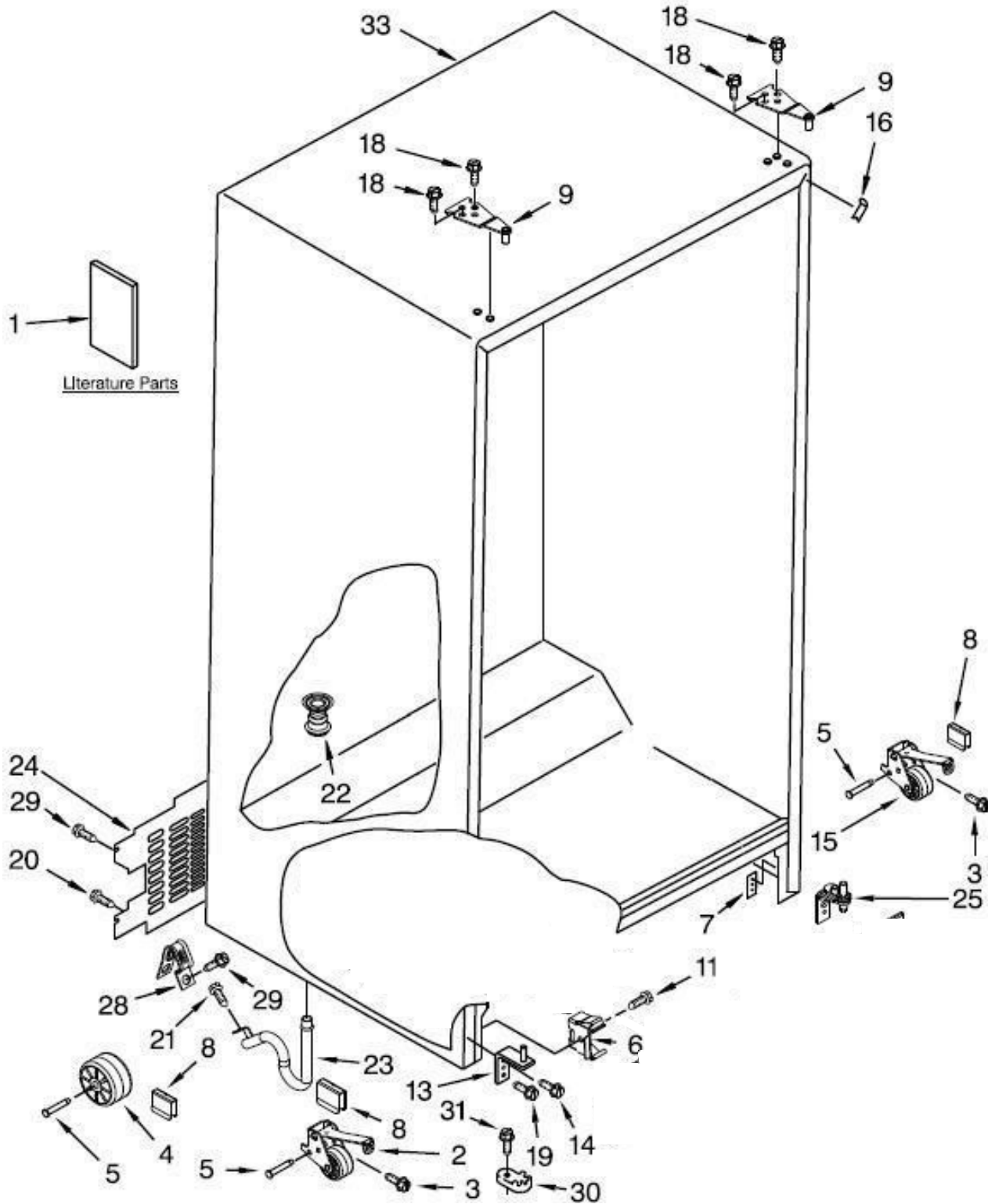
MODELO | WD2505S00

Distribuidor Autorizado

SurteRápido.com

Venta de Refacciones  
Electrodomesticas

# REFRIGERADOR WD2505S00



Distribuidor Autorizado

**SurteRápido.com**

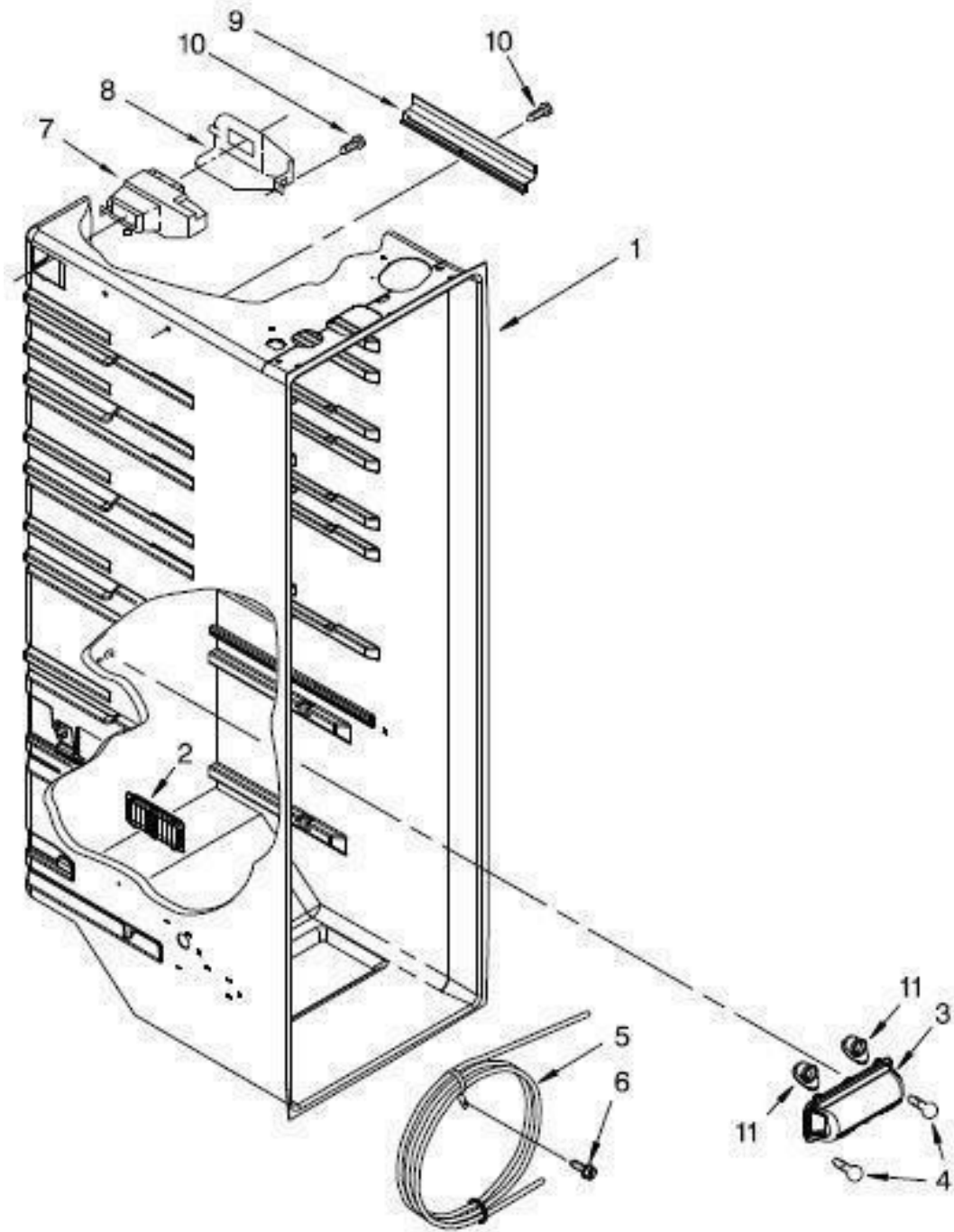
Venta de Refacciones  
Electrodomesticas

## REFRIGERADOR WD2505S00

**Color:** Acero Inoxidable **Capacidad:** 22 pies

<u>No.</u>	<u>DESCRIPCIÓN</u>	<u>Cant.</u>	<u>No. de Parte</u>
1	Literature Parts	**	*****
2	Roller	1	W10304660
3	Screw	**	*****
4	Roller	1	W10475495
5	Axle, Roller	1	2262072
6	Clip, Grille	2	2155013
7	Plate, Screw	1	2304249
8	Clip, Roller	1	2174706
9	Top Hinge	2	W10704884
10	Screw	**	*****
11	Screw	**	*****
13	Hinge, Bottom FC	1	W10414753
14	Screw	**	*****
15	Front Roller Right	1	W10304659
16	Filler, Wrapper	2	W10283960
18	Screw, Hinge	**	*****
19	Screw	**	*****
20	Screw	**	*****
21	Screw	**	*****
22	Drain Fitting	1	2304888
23	Extension, Drain Fitting	1	W10153550
24	Cover Unit	1	2220757
25	Hinge, Bottom RC	1	W10714071
28	Clamp, Power Cord	1	W10303628
29	Screw	**	*****
30	Door Closer, Freezer	1	2223751
31	Screw	**	*****
33	Cabinet (No Servicable)	**	*****

# REFRIGERADOR WD2505S00

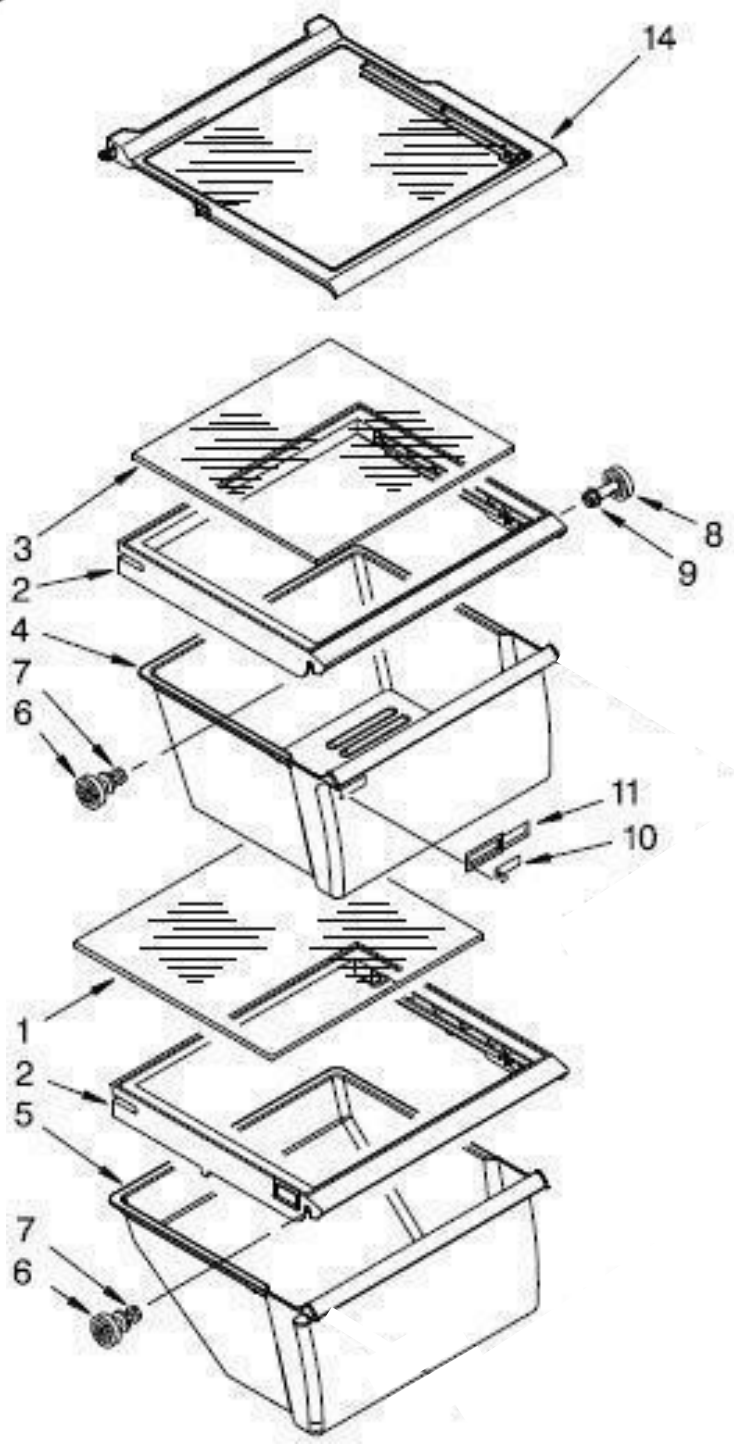




# REFRIGERADOR WD2505S00

No.	Ilus.	DESCRIPCIÓN	Cant.	No. de Parte
1		Liner (No Serviciable)	**	*****
2		Louver	1	W10550195
3		Light Lens	1	W10166130
4		Bulb, Light	1	W10311505
5		Reservoir	1	W10276792
6		Screw	**	*****
7		Air Diffuser Assembly	1	W10151374
8		Cover, Air Diffuser	1	2152019
9		Cover, Wiring	1	W10252495
10		Screw	**	*****

# REFRIGERADOR WD2505S00





Distribuidor Autorizado

**SurteRápido.com**

Venta de Refacciones  
Electrodomesticas



## REFRIGERADOR WD2505S00

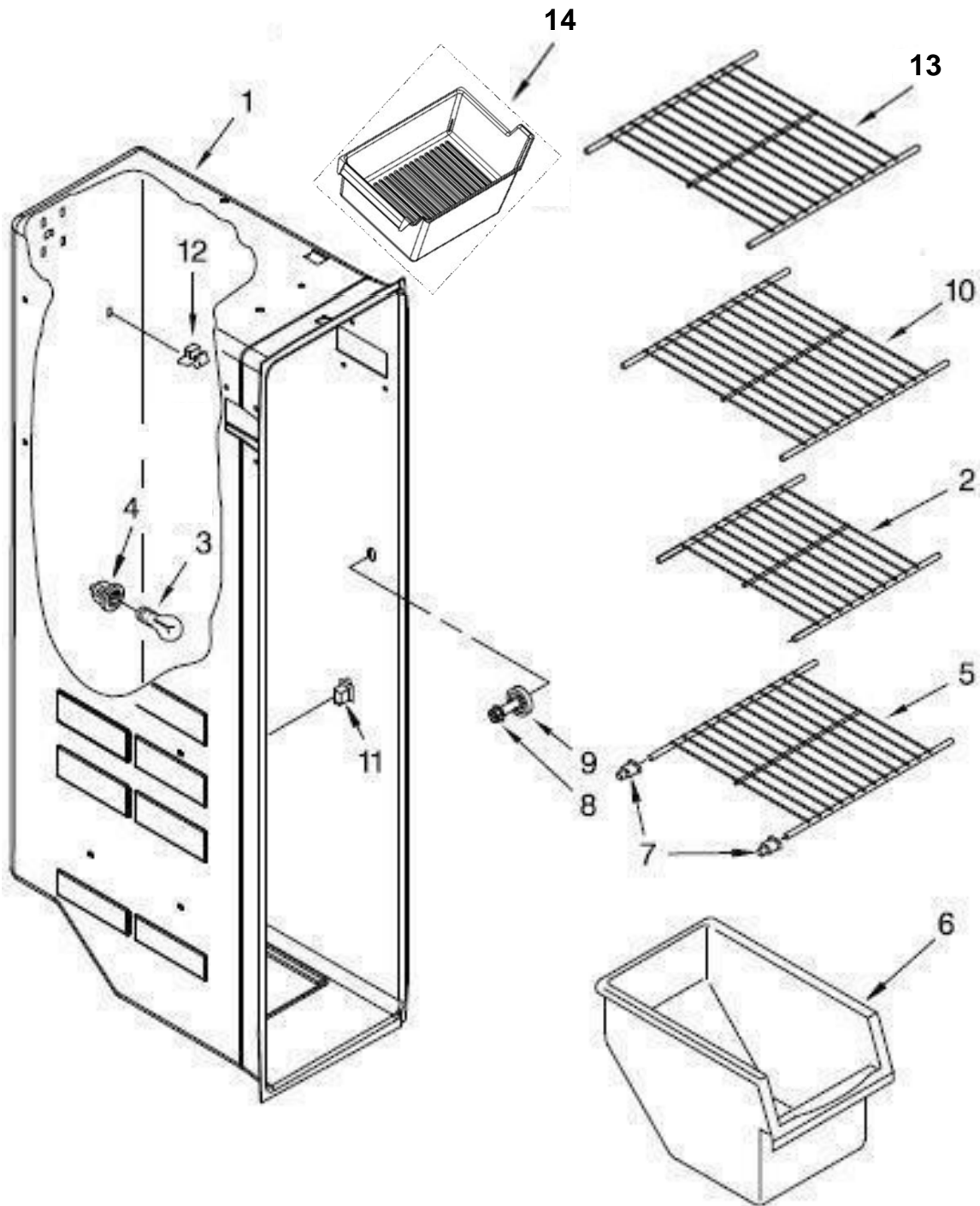
<b>No.</b>				
<b>Ilus.</b>	<b>DESCRIPCIÓN</b>	<b>Cant.</b>	<b>No. de Parte</b>	
1	Glass, Cover	1	2179259	
2	Cover, Crisper	2	2209698	
3	Glass, Cover	1	2179259	
4	Crisper, Pan	1	2188652	
5	Pan, Meat	1	2188654	
6	Stud, Assembly	2	W10173126	
7	Screw	**	*****	
8	Stud Assembly	1	W10173127	
9	Screw	**	*****	
10	Slide, Humidity Control	1	2179342	
11	Body, Humidity Control	1	2179343	
14	Shelf Assembly, Spillguard	1	W10276348	

Distribuidor Autorizado

SurteRápido.com

Venta de Refacciones  
Electrodomesticas

# REFRIGERADOR WD2505S00





Distribuidor Autorizado

**SurteRápido.com**

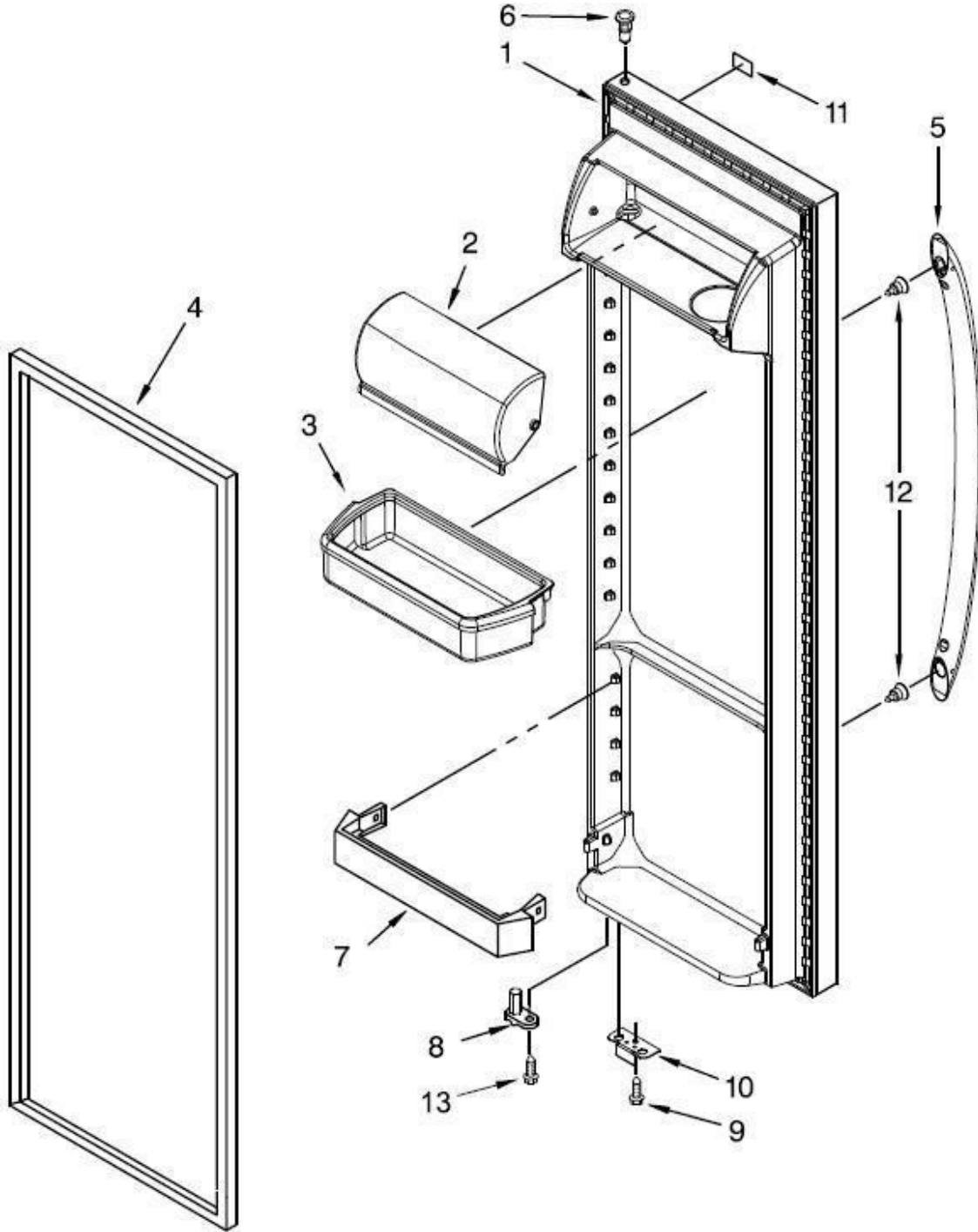
Venta de Refacciones  
Electrodomesticas

## REFRIGERADOR WD2505S00

<u>No.</u>	<u>Ilus.</u>	<u>DESCRIPCIÓN</u>	<u>Cant.</u>	<u>No. de Parte</u>
1		Liner (No Serviciable)	**	*****
2		Shelf, Wire	1	W10318960
3		Bulb, Light	1	W10311505
4		Socket, Light	1	2162085
5		Shelf, Wire	1	W10318952
6		Freezer Bin	1	2309758
7		Cup, Shelf	12	W10130299
8		Screw	**	*****
9		Stud Assembly	1	W10173127
10		Shelf, Wire	1	W10318953
11		Switch, Rocker Arm	1	2321285
12		Clip, Air Duct	2	2315163
13		Shelf, Wire	1	W10318953
14		Ice Cube Pan	1	2166261
15		Screw	**	*****

---

# REFRIGERADOR WD2505S00

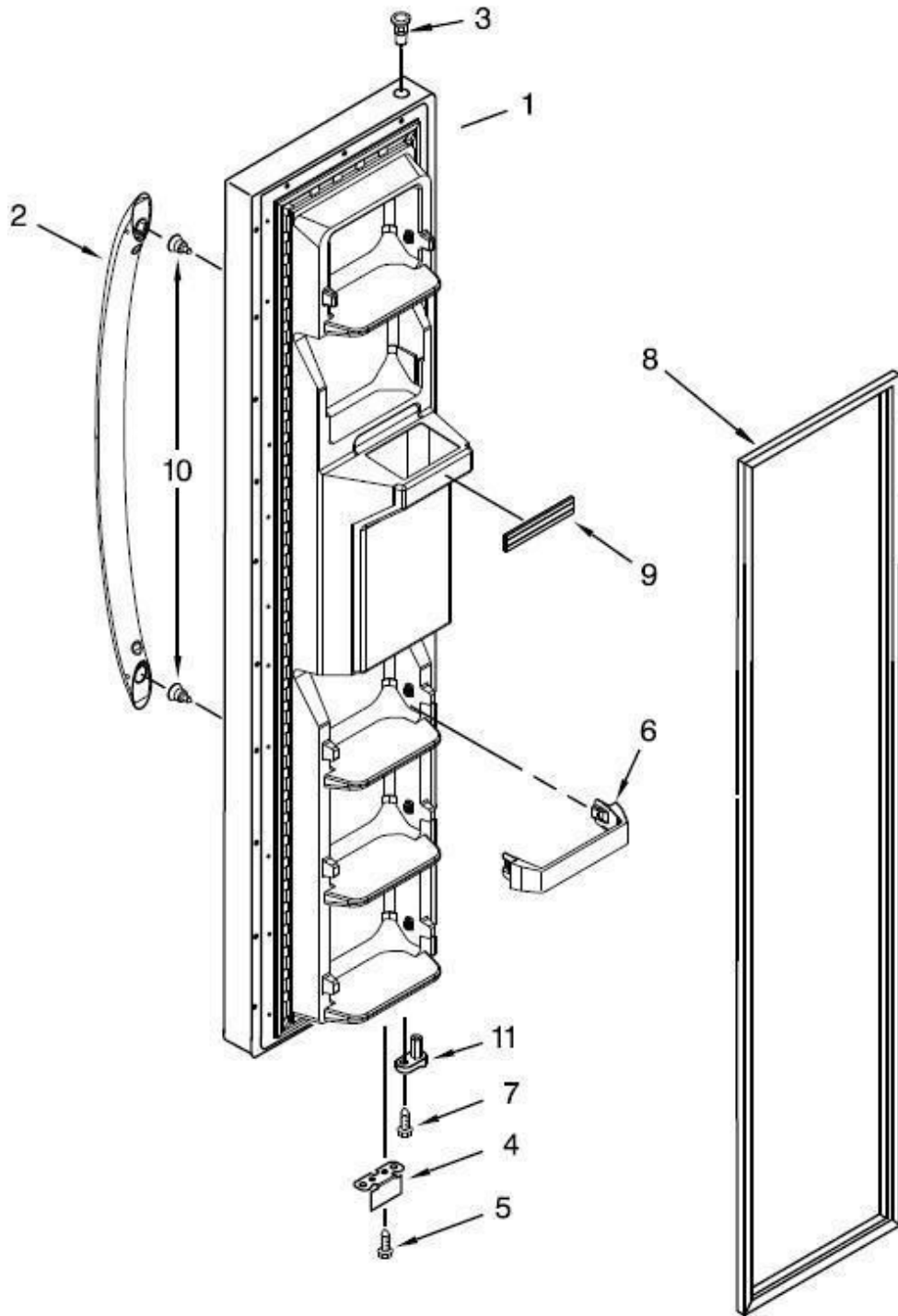




# REFRIGERADOR WD2505S00

<u>No. Ilus.</u>	<u>DESCRIPCIÓN</u>	<u>Cant.</u>	<u>No. de Parte</u>
1	Refrigerator Door (Incluye item 4)	1	W10782885
2	Door Compartment	1	2256101
3	Bin, Door	3	2203828
4	Door Gasket Magnetic	1	2309600
5	Handle	1	W10713676
6	Thimble	1	2182181
7	Trivet	1	2309941
8	Door Closer, Upper Cam	1	2182178
9	Screw	**	*****
10	Bracket, Door Stop	1	W10219801
11	Nameplate	1	W10511972
12	Screw	**	*****
13	Screw	**	*****

# REFRIGERADOR WD2505S00

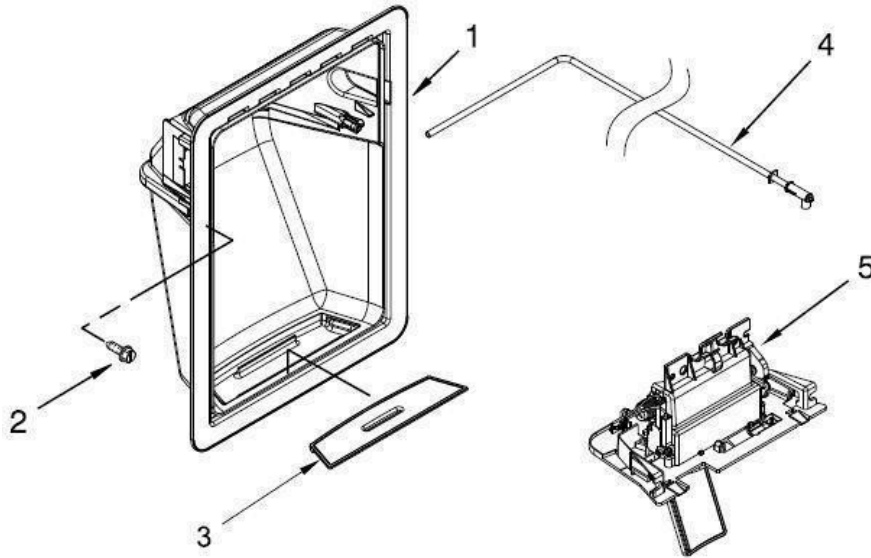




# REFRIGERADOR WD2505S00

No. Ilus.	DESCRIPCIÓN	Cant.	No. de Parte
1	Freezer Door (Incluye Item 8 & Dispenser Front Parts)	1	W10729223
2	Handle	1	W10713676
3	Thimble	1	2182181
4	Bracket, Door Stop	1	2306940
5	Screw	**	*****
6	Trim, Door	3	2309717
7	Screw	**	*****
8	Door Gasket Magnetic	1	2309654
9	Trim, Door Shelf	1	W10307492
10	Screw	**	*****
11	Door Closer, Upper Cam	1	2223752

# REFRIGERADOR WD2505S00

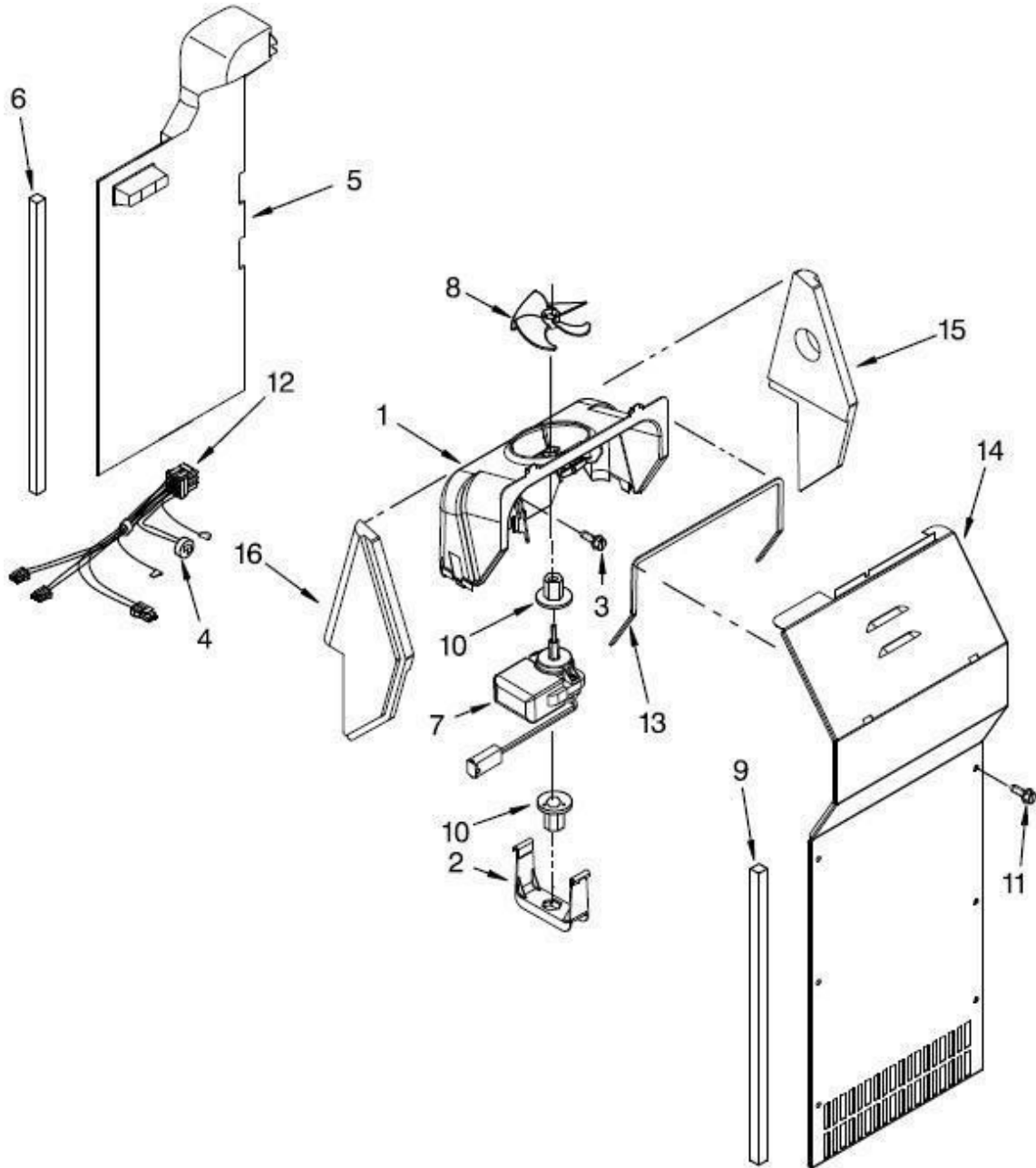


**Color:** Acero Inoxidable **Capacidad:** 22 pies

No. Ilus.	DESCRIPCIÓN	Cant.	No. de Parte
1	Housing, Dispenser (No Serviciable)	**	*****
2	Screw	**	*****
3	Grille, Overflow	1	W10397394
4	Water Fitting Assembly	1	W10397435
5	Separator Assembly	1	W10723721



# REFRIGERADOR WD2505S00

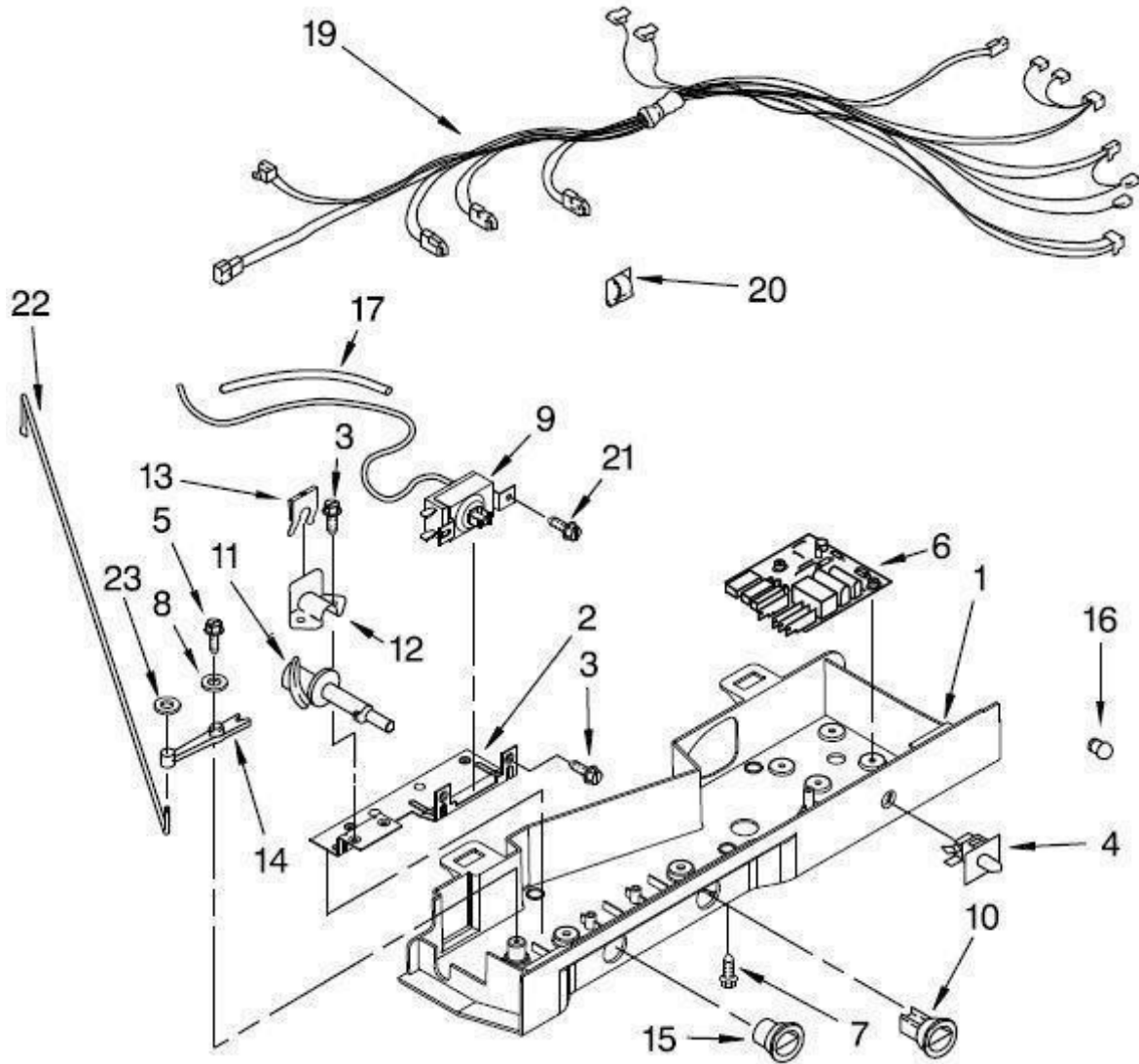




# REFRIGERADOR WD2505S00

<u>Ilus.</u>	<u>DESCRIPCIÓN</u>	<u>Cant.</u>	<u>No. de Parte</u>
1	Scroll, Fan	1	2182119
2	Retainer, Fan Motor	1	2155590
3	Screw	**	*****
4	Bl-Metal, Defrost	1	W10225581
5	Air Duct Freezer	1	W10166220
6	Gasket	1	2155788
7	Fan Motor	1	W10312647
8	Blade, Fan	1	2169142
9	Gasket, Evaporator Cover	2	2304241
10	Grommet, Motor	2	2176759
11	Screw	**	*****
12	Harness, Fan Tube Evaporator	1	W10297482
13	Gasket, Evaporator Cover	2	W10252476
14	Cover, Evaporator	1	W10463010
15	Support, Right Hand	1	2203595
16	Support, Left Hand	1	2203596

# REFRIGERADOR WD2505S00



Distribuidor Autorizado

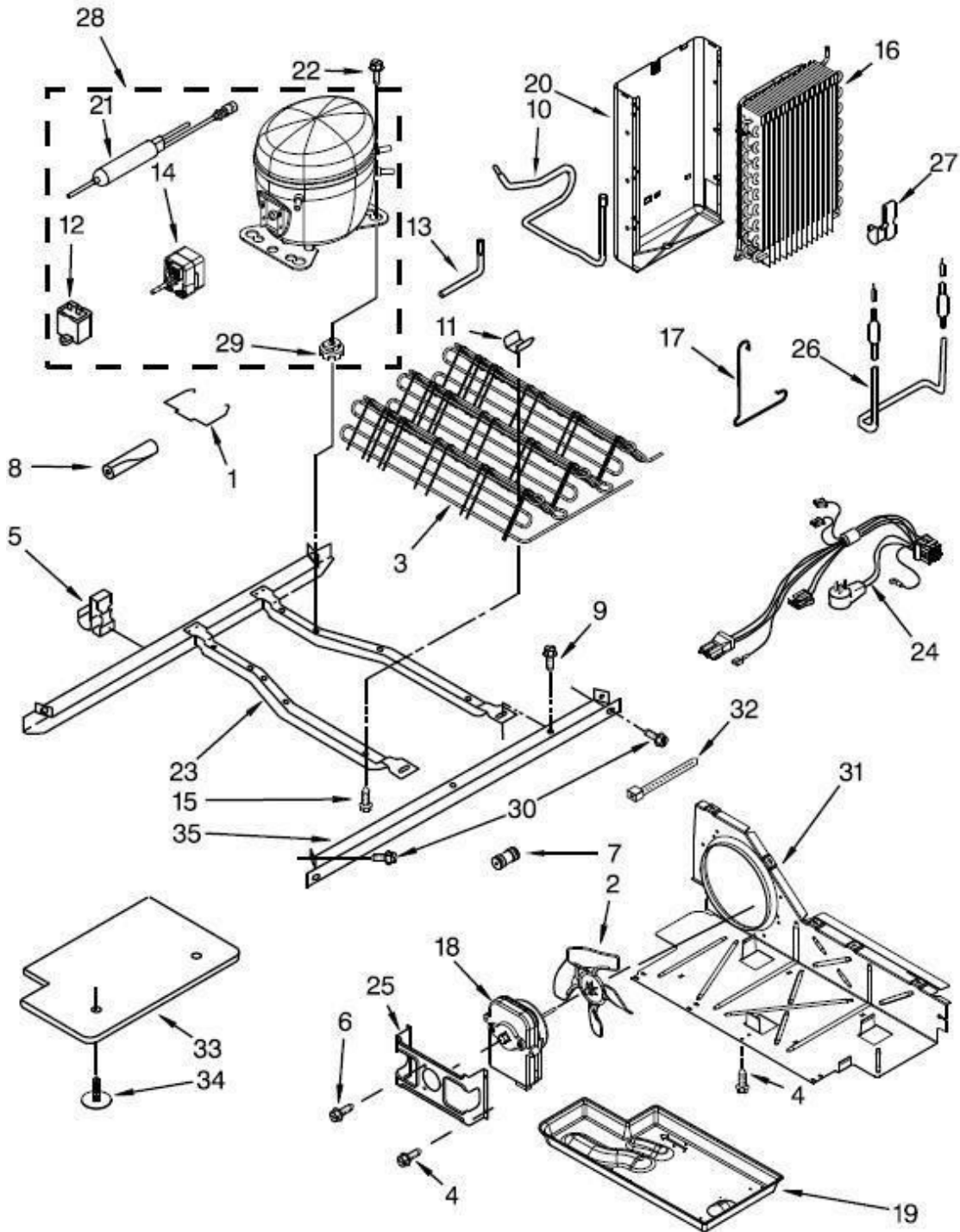
**SurteRápido.com**

Venta de Refacciones  
Electrodomesticas

## REFRIGERADOR WD2505S00

<b>No.</b>	<b>DESCRIPCIÓN</b>	<b>Cant.</b>	<b>No. de Parte</b>
<b>1</b>	Control Box	1	W10723712
<b>2</b>	Mounting Bracket	1	2311611
<b>3</b>	Screw	**	*****
<b>4</b>	Switch, Pluger	1	2219875
<b>5</b>	Screw	**	*****
<b>6</b>	Adaptative, Defrost Control	1	W10366605
<b>7</b>	Screw	**	*****
<b>8</b>	Washer, Spring	**	*****
<b>9</b>	Thermostat Assembly	1	W10583800
<b>10</b>	Knob, Thermostat	1	2311614
<b>11</b>	Cam Assembly	1	2182195
<b>12</b>	Bearing Body	1	1110560
<b>13</b>	Damper, Control	1	2196062
<b>14</b>	Pivot Arm	1	1110559
<b>15</b>	Knob, Control	1	2311615
<b>16</b>	Lens, Light	1	2212340
<b>17</b>	Tube, Barrier	1	2196001
<b>19</b>	Control Box Harness	1	W10354806
<b>20</b>	Clip, Wire	1	1115374
<b>21</b>	Screw	**	*****
<b>22</b>	Connecting Rod	1	2311631
<b>23</b>	Fastener, Push-On	**	*****

# REFRIGERADOR WD2505S00



# REFRIGERADOR WD2505S00

No. Ilus.	DESCRIPCIÓN	Cant.	No. de Parte
1	Strap, Bale	1	W10204187
2	Blade, Fan	1	12825802
3	Condenser Assembly	1	W10222348
4	Screw	**	*****
5	Clip, Wire	3	2326941
6	Screw	**	*****
7	Connector, Water Tube	1	W10271541
8	Sleeve, Pressure Switch Hose	1	2161302
9	Screw	**	*****
10	Tube, Suction	1	W10576271
11	Clip, Condenser	2	2311725
12	Capacitor	1	W10350564
13	Tube, Process	**	*****
14	Start Device Combination (Start and Overload)	1	W10197428
15	Screw	**	*****
16	Evaporator, FC	1	2188822
17	Clip, Defrost Heater	2	2161324
18	Motor, Condenser	1	W10508362
19	Tray, Evaporator	1	W10614158
20	Heat Shield and Drain Pan	1	W10194474
21	Drier	1	W10771114
22	Screw	**	*****
23	Frame, Unit Mounting	1	W10121351
24	Unit, Harness	1	W10670169
25	Bracket, Fan Motor	1	2181929
26	Heater, Defrost	1	W10495967
27	Clip, Defrost Heater	2	2161324
28	Compressor	1	W10317997
29	Grommet	4	10835903
30	Bolt	2	489340
31	Air Baffle	1	W10332806
32	Tie, Wire	1	2263990
33	Unit Cover, Bottom	1	W10466693
34	Clip	2	489396
35	Rail, Unit Mounting	1	W10207512

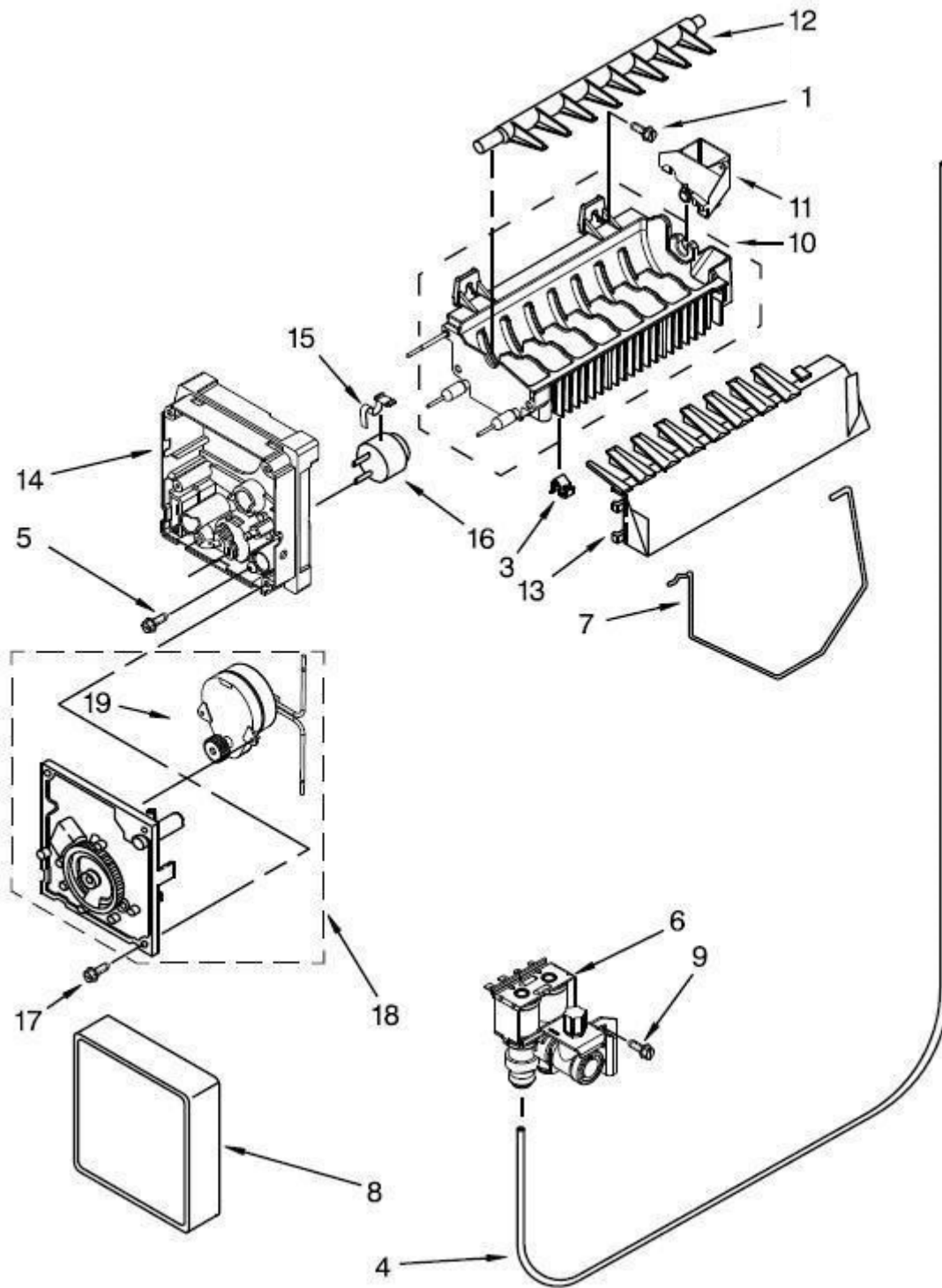


Distribuidor Autorizado

SurteRápido.com

Venta de Refacciones  
Electrodomesticas

# REFRIGERADOR WD2505S00



Distribuidor Autorizado

**SurteRápido.com**

Venta de Refacciones  
Electrodomesticas



## REFRIGERADOR WD2505S00

<b>No.</b>	<b>Ilus.</b>	<b>DESCRIPCIÓN</b>	<b>Cant.</b>	<b>No. de Parte</b>
1		Screw	**	*****
3		Clip, Thermal Fuse	1	628379
4		Tube, Water	1	W10357069
5		Screw	**	*****
6		Filter Valve Assembly	1	2188778
7		Arm, Shutt Off	1	2304354
8		Cover, Icemaker	1	W10289690
9		Screw	**	*****
10		Assembly, Mold & Heater	1	628228
11		Cup-Water Fill	1	W10435665
12		Ejector, Arm	1	627843
13		Stripper, Ice	1	W10699925
14		Support	1	2194712
15		Retainer, Thermostat	2	2315522
16		Thermostat	1	627985
17		Screw	**	*****
18		Assembly, Module	1	626691
19		Motor (No Servicable)	**	*****
20		Screw	**	*****
<b><u>Complete Icemaker Assembly</u></b>				<b><u>W10754511</u></b>