

Distribuidor Autorizado

SurteRápido.com

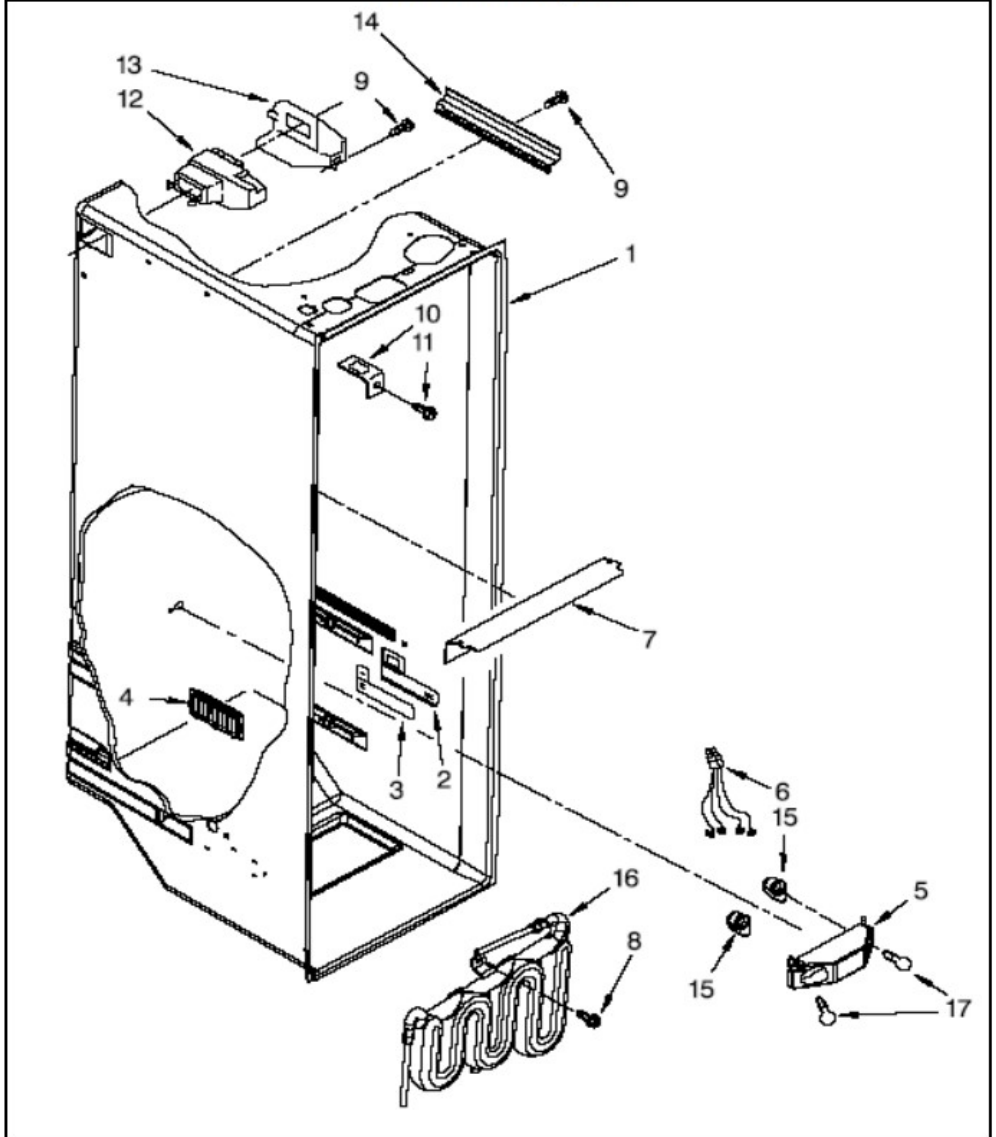
Venta de Refacciones
Electrodomesticas

Refrigerador Whirlpool WD2550D02

WD2550D02

| | |
|-----------|------------------------------|
| Marca | Whirlpool |
| Capacidad | 22 pies |
| Color | Natural Silver Monocromatico |

Partes del Liner Refrigerador



Distribuidor Autorizado

SurteRápido.com

Venta de Refacciones
Electrodomesticas



Refrigerador Whirlpool WD2550D02

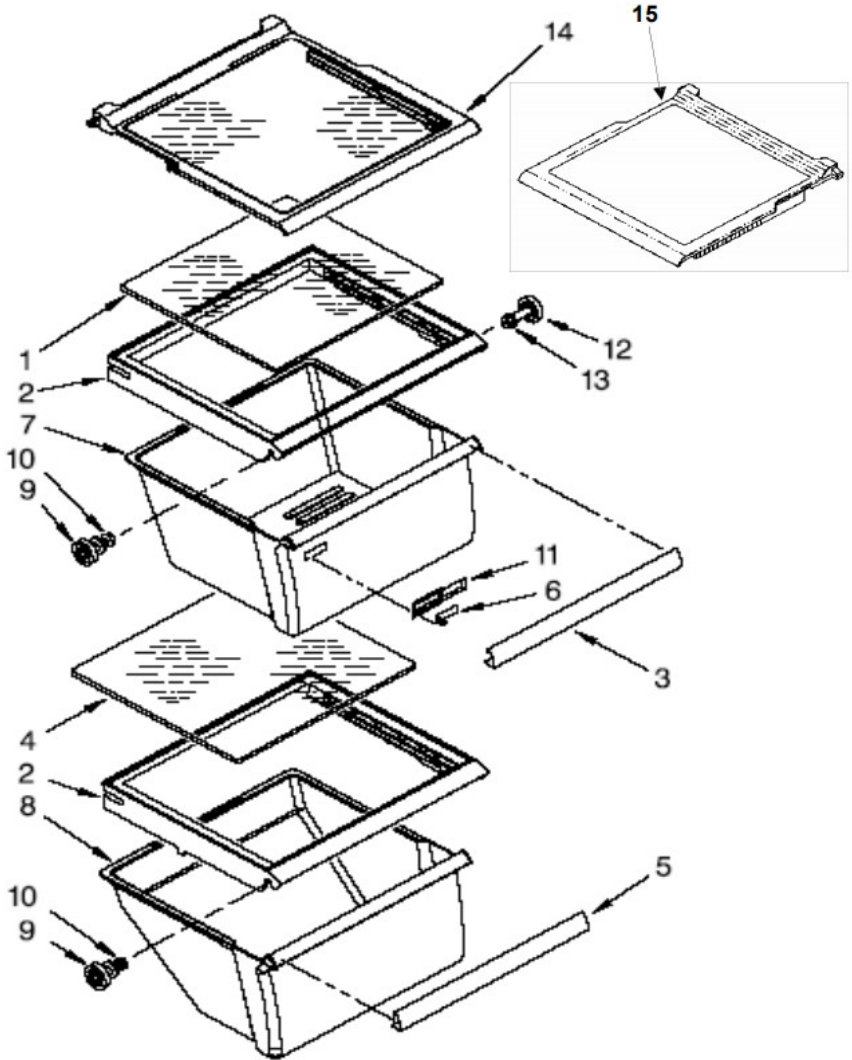
| No. Ilus. | DESCRIPCIÓN | No. de Parte |
|------------------|-------------------------------|---------------------|
| 1 | Liner (not a servicable part) | *** |
| 2 | Escutcheon, Meat Pan Control | W10175967 |
| 3 | Slide Meat Pan Control | 2182757 |
| 4 | Louver | 2257741 |
| 5 | Bracket Dual Crisper Light | 2256035 |
| 6 | Wire Harness, Dual Crisper | 2325303 |
| 7 | Light Lens | 2171706 |
| 8 | Screw | *** |
| 9 | Screw | *** |
| 10 | Bracket Retainer | 2256085 |
| 11 | Screw | *** |
| 12 | Air Diffuser Assembly | W10151374 |
| 13 | Air Diffuser Cover | 2152019 |
| 14 | Cover, Wiring | W10252495 |
| 15 | Socket | 2162085 |
| 16 | Reservoir | W10204356 |
| 17 | Light Bulb | 527949 |

Distribuidor Autorizado

SurteRápido.com

Venta de Refacciones
Electrodomesticas

Refrigerador Whirlpool WD2550D02



Distribuidor Autorizado

SurteRápido.com

Venta de Refacciones
Electrodomesticas



Refrigerador Whirlpool WD2550D02

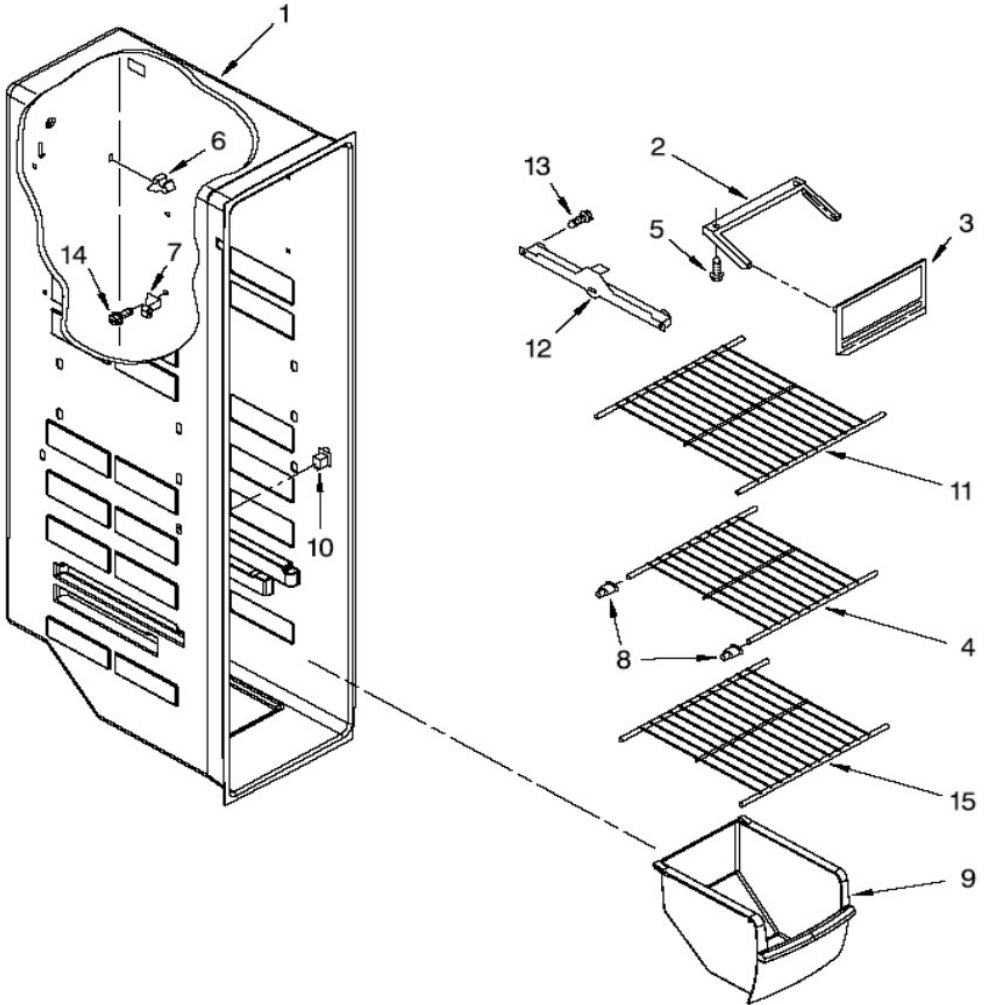
| No. Ilus. | DESCRIPCIÓN | No. de Parte |
|------------------|-----------------------------|---------------------|
| 1 | Glass, cover | 2179259 |
| 2 | Cover, crisper | 2209698 |
| 3 | Trim, pan | 2255593 |
| 4 | Glass, cover | 2179259 |
| 5 | Trim, meat pan | 2255592 |
| 6 | Slide, Humidity control | 2179342 |
| 7 | Crisper pan | W10178774 |
| 8 | Meat pan | 2188654 |
| 9 | Stud assembly | 2309560 |
| 10 | Screw | *** |
| 11 | Housing, humiditycontrol | 2179343 |
| 12 | Stud assembly | W10173126 |
| 13 | Screw | *** |
| 14 | SHELF ASSY-RC,S/G,S/O,22/25 | 2309524 |
| 15 | SHELF ASSY-RC,PAN,22/25 | 2309560 |

Distribuidor Autorizado

SurteRápido.com

Venta de Refacciones
Electrodomesticas

Refrigerador Whirlpool WD2550D02



Distribuidor Autorizado

SurteRápido.com

Venta de Refacciones
Electrodomesticas



Refrigerador Whirlpool WD2550D02

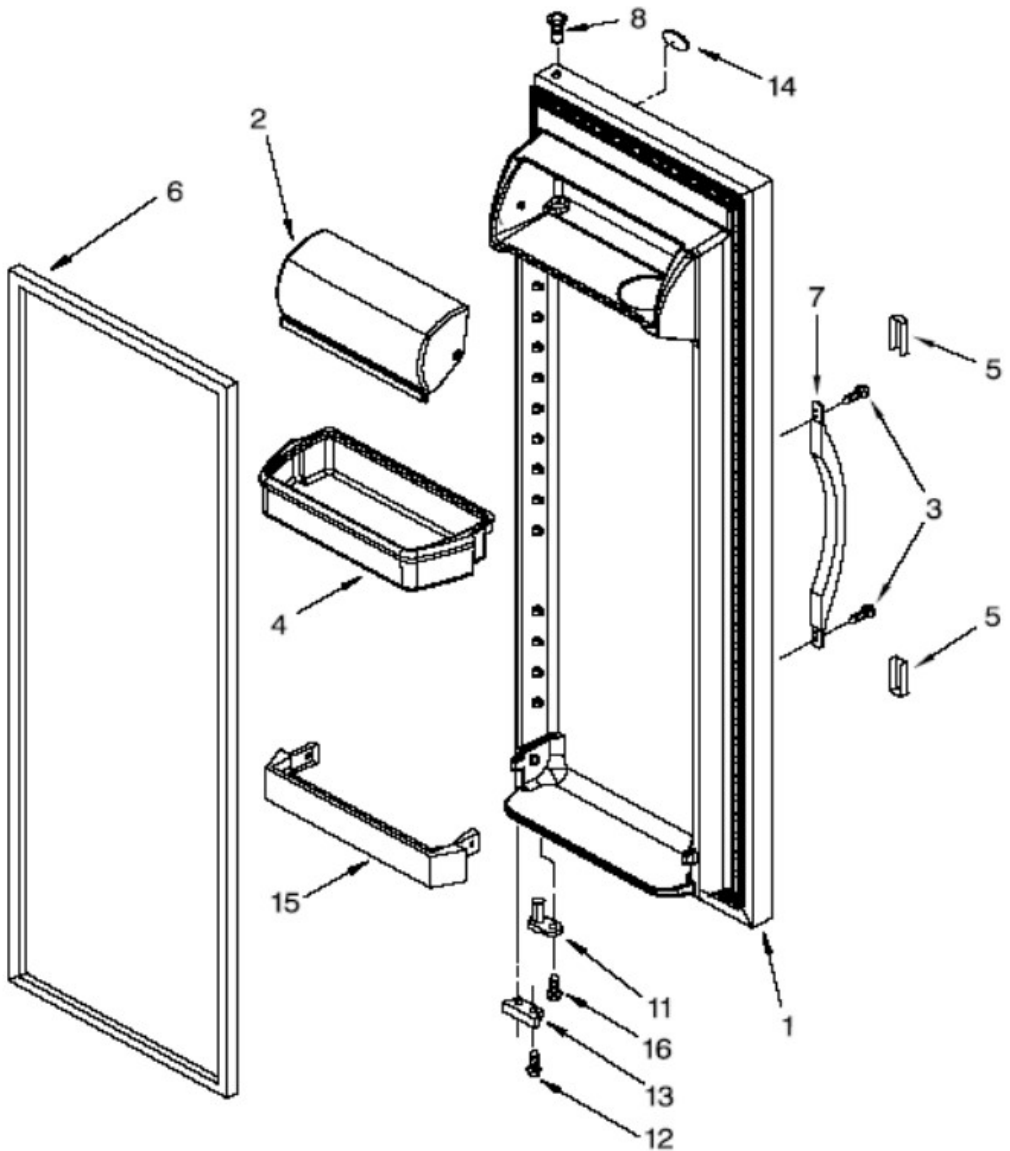
| No. Ilus. | DESCRIPCIÓN | No. de Parte |
|------------------|--------------------------------|---------------------|
| 1 | Liner (Not A Serviceable Part) | *** |
| 2 | Slide, Ice Door | 1115380 |
| 3 | Door, Ice Compartment | 2171712 |
| 4 | Shelf, Wire | 2309632 |
| 5 | Screw | *** |
| 6 | Clip, Air Duct | 842534 |
| 7 | Support, Stud | 2196206 |
| 8 | Cup, Shelf Mounting | W10130299 |
| 9 | Freezer Bin | 2309758 |
| 10 | Switch, Rocker Arm | 1115373 |
| 11 | Shelf, Wire | 2309633 |
| 12 | Slide, Container LeftSide | 1119237 |
| 12 | Slide, Container RightSide | 1119293 |
| 13 | Screw | *** |
| 14 | Screw | *** |
| 15 | Shelf, Wire | 2309632 |

Distribuidor Autorizado

SurteRápido.com

Venta de Refacciones
Electrodomesticas

Refrigerador Whirlpool WD2550D02



Distribuidor Autorizado

SurteRápido.com

Venta de Refacciones
Electrodomesticas



Refrigerador Whirlpool WD2550D02

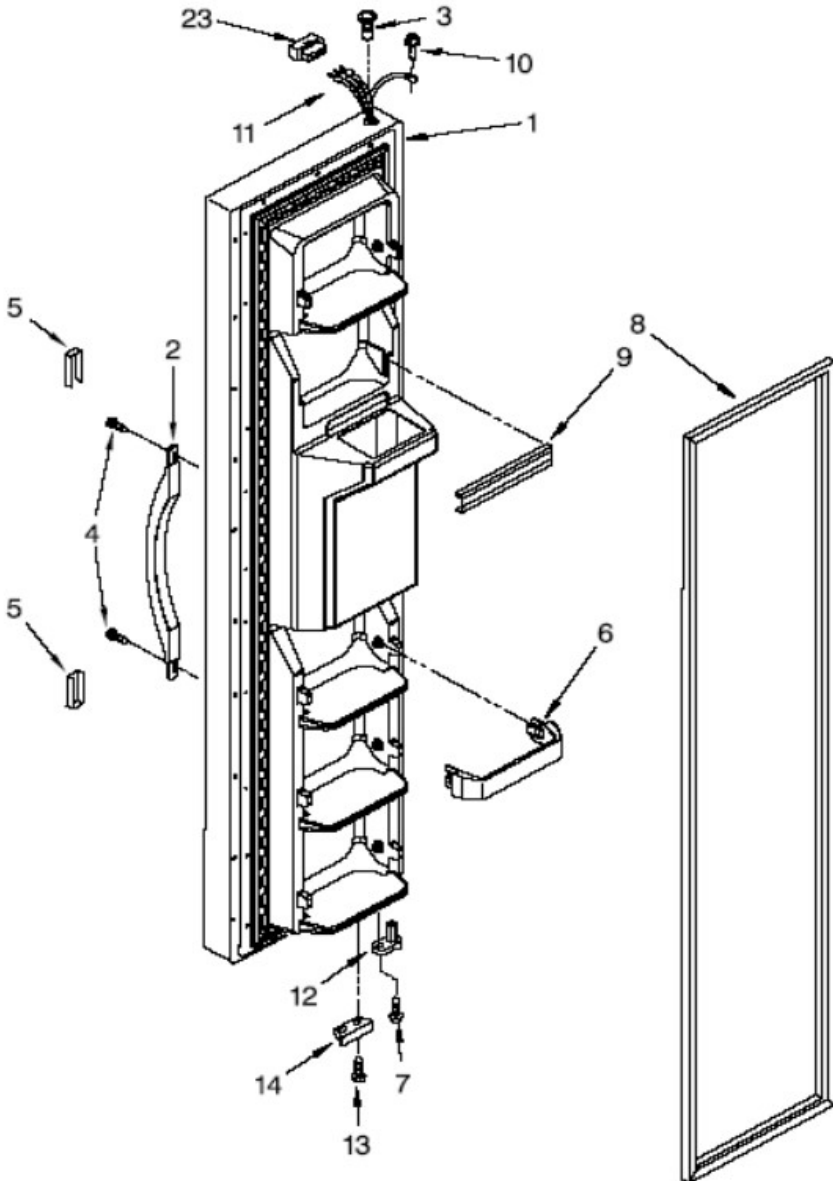
| No. Ilus. | DESCRIPCIÓN | No. de Parte |
|------------------|------------------------------------|---------------------|
| 1 | Refrigerator Door (include item 6) | W10202981 |
| 2 | Door, Compartment | 2256101 |
| 3 | Screw | *** |
| 4 | Door Bin | 2304235 |
| 5 | Extension, Handle | *** |
| 6 | Door Gasket, Magnetic | 2327161 |
| 7 | Handle | 2254600S |
| 8 | Thimble-Top | 2308091 |
| 11 | Thimble Cam | 2182178 |
| 12 | Screw | *** |
| 13 | Bracket, Door Stop | 2206629 |
| 14 | Nameplate | 2255121 |
| 15 | Trivet | 2309941 |
| 16 | Screw | *** |

Distribuidor Autorizado

SurteRápido.com

Venta de Refacciones
Electrodomesticas

Refrigerador Whirlpool WD2550D02



Distribuidor Autorizado

SurteRápido.com

Venta de Refacciones
Electrodomesticas



Refrigerador Whirlpool WD2550D02

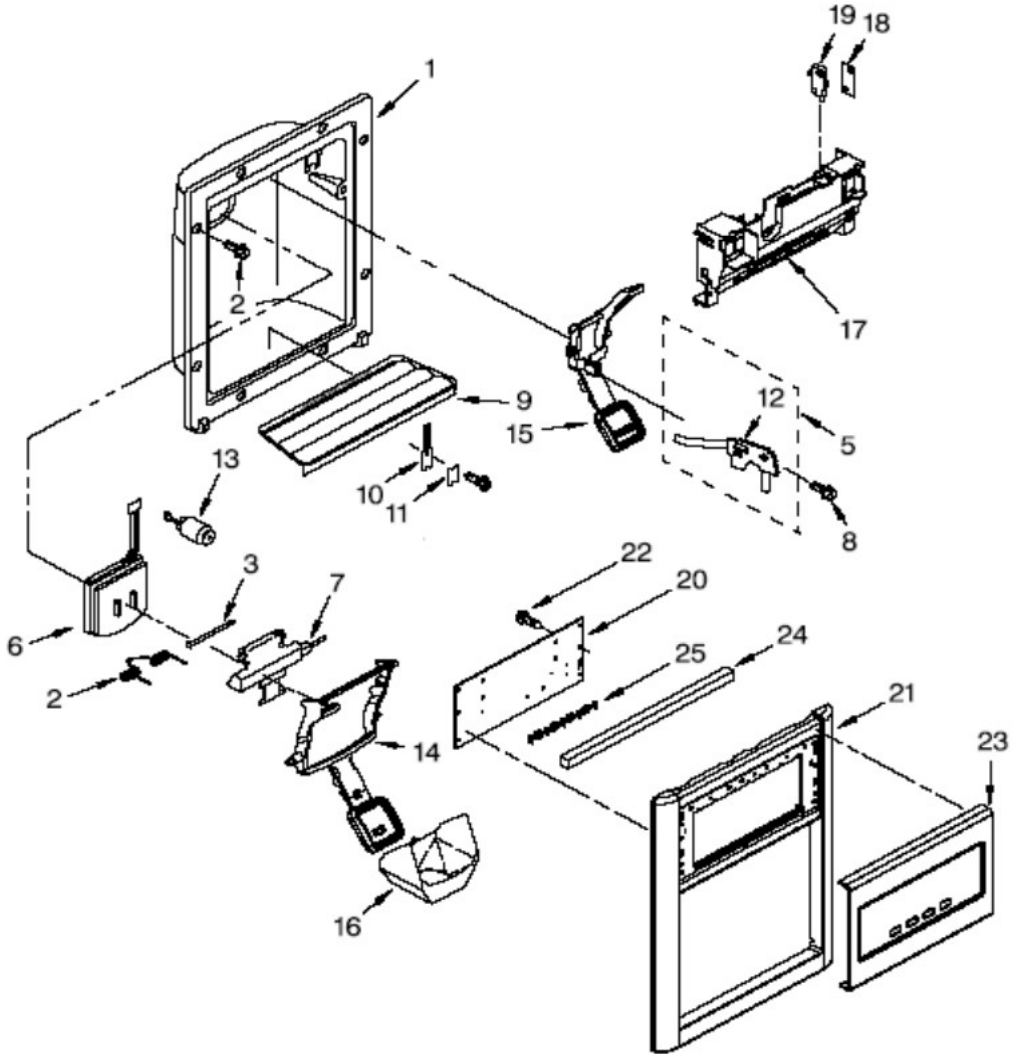
| No. Ilus. | DESCRIPCIÓN | No. de Parte |
|------------------|------------------------|---------------------|
| 1 | Freezer Door | W10202983 |
| 2 | Handle | 2254600S |
| 3 | Thimble-Top | 2308091 |
| 4 | Screw | *** |
| 5 | Extension, Handle | *** |
| 6 | Trivet | 2309717 |
| 7 | Screw | *** |
| 8 | Door Gasket, Magnetic | 2327162 |
| 9 | Trim, Door Shelf | 2209680 |
| 10 | Screw | *** |
| 11 | Wire Harness | 2310541 |
| 12 | Door Closer, Upper Cam | 2223751 |
| 13 | Screw | *** |
| 14 | Bracket, Door Stop | 2323534 |
| 23 | Connector | *** |

Distribuidor Autorizado

SurteRápido.com

Venta de Refacciones
Electrodomesticas

Refrigerador Whirlpool WD2550D02



Distribuidor Autorizado

SurteRápido.com

Venta de Refacciones
Electrodomesticas



Refrigerador Whirlpool WD2550D02

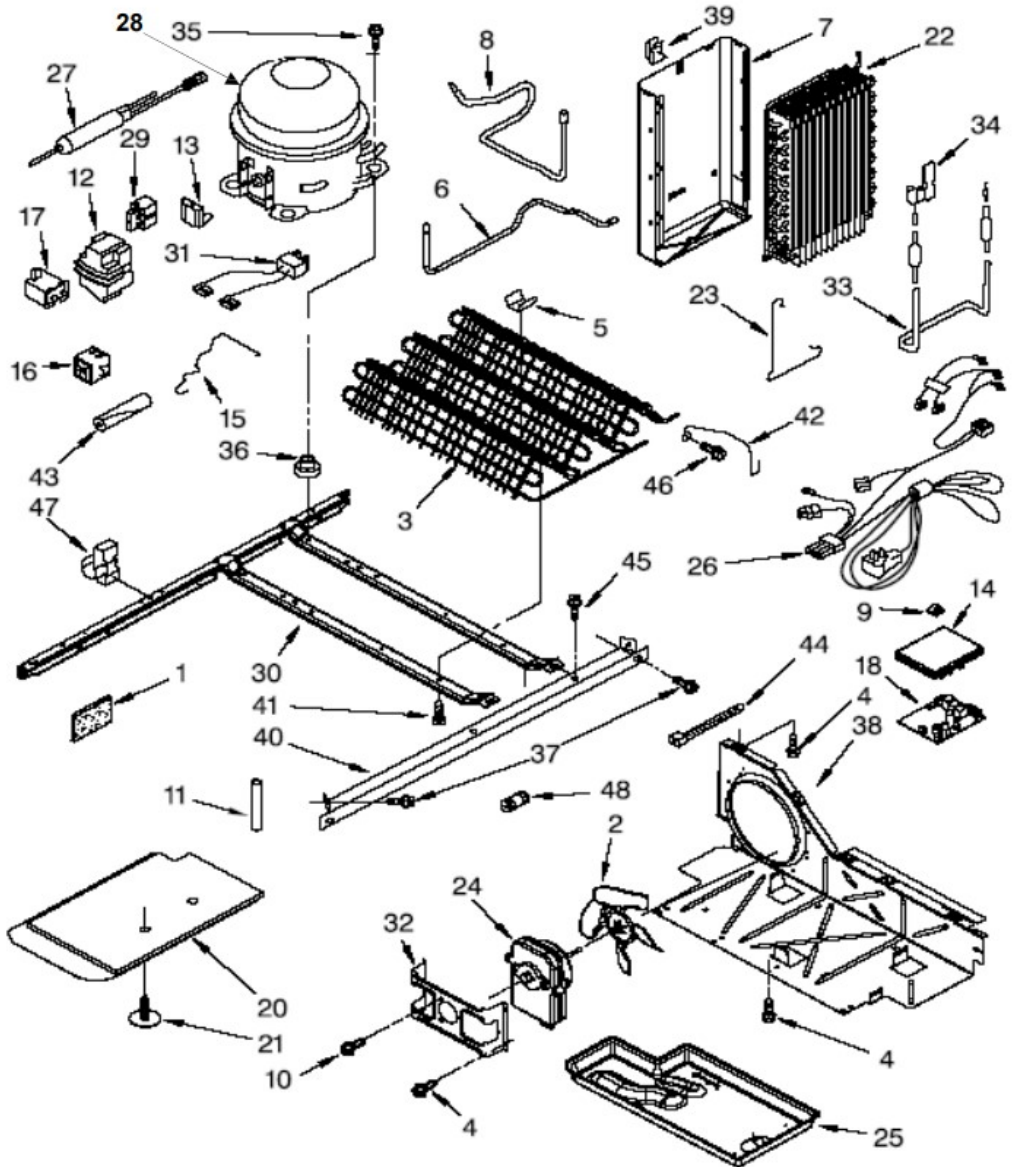
| No. Ilus. | DESCRIPCIÓN | No. de Parte |
|------------------|-----------------------------------|---------------------|
| 1 | Housing, Dispenser (Not Serviced) | *** |
| 2 | Spring Torsion | 2304772 |
| 3 | Pin, Ice Door | 2196195 |
| 5 | Water Fitting Assy | 2304317 |
| 6 | Door, Ice | 2180353 |
| 7 | Support, Ice Door | 2304355 |
| 8 | Screw | *** |
| 9 | Grille, Dispenser | W10171992 |
| 10 | Spring, Lever | 2194719 |
| 11 | Strain Relief | 2195051 |
| 12 | Bracket, Dispenser | 2304673 |
| 13 | Dashpot, Dispenser | 2205686 |
| 14 | Lever, Ice | W10155161 |
| 15 | Lever, Water | W10155162 |
| 16 | Guide, Ice | 2180224 |
| 17 | Bracket, Control | W10206103 |
| 18 | Spacer, Switch | 625834 |
| 19 | Switch | 2162361 |
| 20 | Control, Elek | 2321748 |
| 21 | Bezel, Dispenser | W10171991 |
| 22 | Screw | *** |
| 23 | Fascia, Dispenser | W10171981 |
| 24 | Gasket, Dispenser | 2305571 |
| 25 | Support, Window | W10170412 |

Distribuidor Autorizado

SurteRápido.com

Venta de Refacciones
Electrodomesticas

Refrigerador Whirlpool WD2550D02



Distribuidor Autorizado

SurteRápido.com

Venta de Refacciones
Electrodomesticas



Refrigerador Whirlpool WD2550D02

| No. Ilus. | DESCRIPCIÓN | No. de Parte |
|------------------|------------------------------|---------------------|
| 1 | Sound, Insulation | 2215468 |
| 2 | Fan, Blade | 12825802 |
| 3 | Condenser Assembly | W10211163 |
| 4 | Screw | *** |
| 5 | Clip, Condenser | 2311725 |
| 6 | Tube, Condenser to heat loop | *** |
| 7 | Heat Shield and drain pan | W10194474 |
| 8 | Tube, Suction | W10210787 |
| 9 | Clip Wiring | 1115374 |
| 10 | Screw | *** |
| 11 | Bushing, Compressor | *** |
| 12 | Cover | *** |
| 13 | Overload | *** |
| 14 | Cover | 2255624 |
| 15 | Clip, Retaining | 2255199 |
| 16 | Start-Device, combodevice | W10128791 |
| 17 | Capacitor | 2169373 |
| 18 | Electronic Control | 2322547 |
| 20 | Unit Cover, Bottom | 2304898 |
| 21 | Clip | 489396 |
| 22 | Evaporator | 2188822 |
| 23 | Clip | 2161324 |
| 24 | Motor, Fan | 2188874 |
| 25 | Tray, Evaporator | 1105523 |
| 26 | Harness, Unit | W10187330 |
| 27 | Drier | W10177049 |
| 28 | Compressor | W10189230 |
| 29 | Relay | *** |

Distribuidor Autorizado

Surte Rápido.com

Venta de Refacciones
Electrodomesticas



Refrigerador Whirlpool WD2550D02

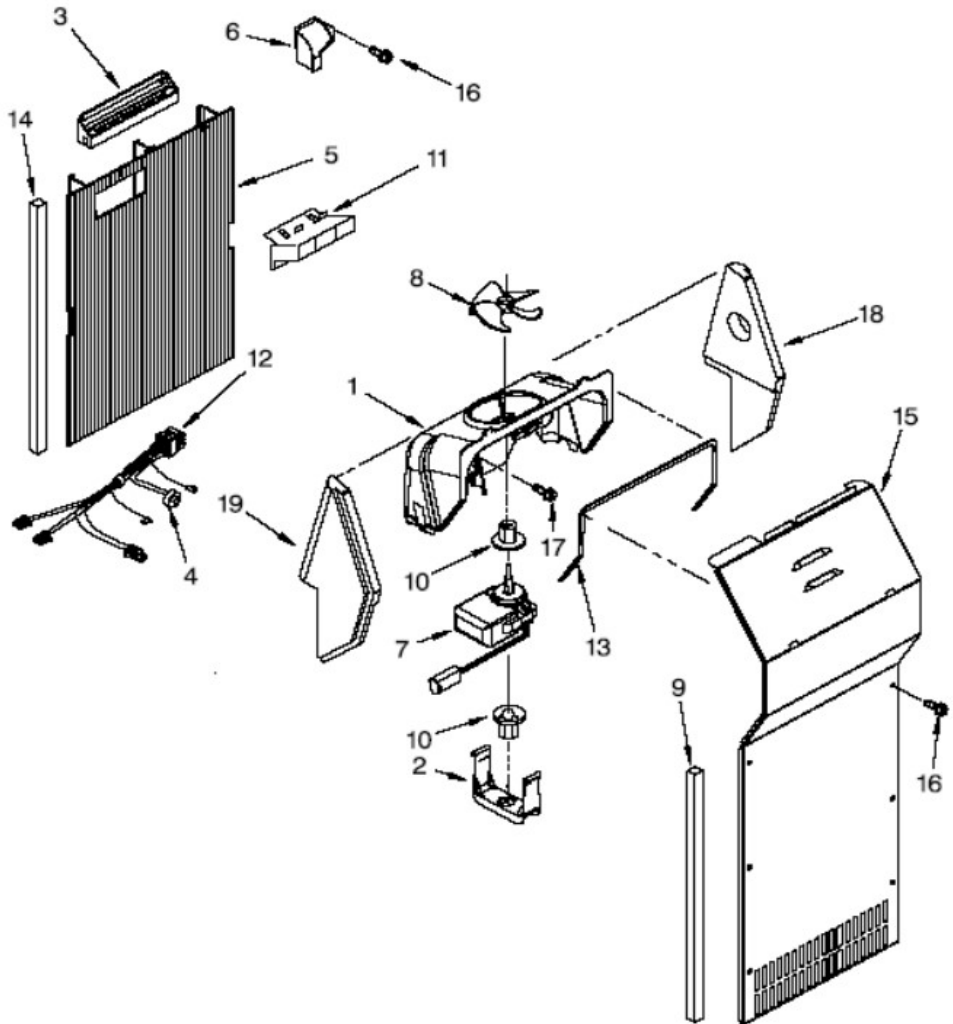
| No. Ilus. | DESCRIPCIÓN | No. de Parte |
|------------------|---------------------|---------------------|
| 30 | Unit Mounting Frame | 2304903 |
| 31 | Wire, Capacitor | *** |
| 32 | Bracket, Fan Motor | 2181929 |
| 33 | Heater, Defrost | 2188174 |
| 34 | Clip, Heater | 2161324 |
| 35 | Screw | *** |
| 36 | Grommet | 1100826 |
| 37 | Screw | *** |
| 38 | Air Baffle | W10196306 |
| 39 | Clip, Heat | 2155547 |
| 40 | Unit Mounting Rail | W10207512 |
| 41 | Screw | *** |
| 42 | Guard, Fan | *** |
| 43 | Sleeve | 2161302 |
| 44 | Wire Tie | W10130771 |
| 45 | Screw | *** |
| 46 | Screw | *** |
| 47 | Clip, Wire & Tube | 2326941 |
| 48 | Union | 2320322 |

Distribuidor Autorizado

SurteRápido.com

Venta de Refacciones
Electrodomesticas

Refrigerador Whirlpool WD2550D02



Distribuidor Autorizado

SurteRápido.com

Venta de Refacciones
Electrodomesticas



Refrigerador Whirlpool WD2550D02

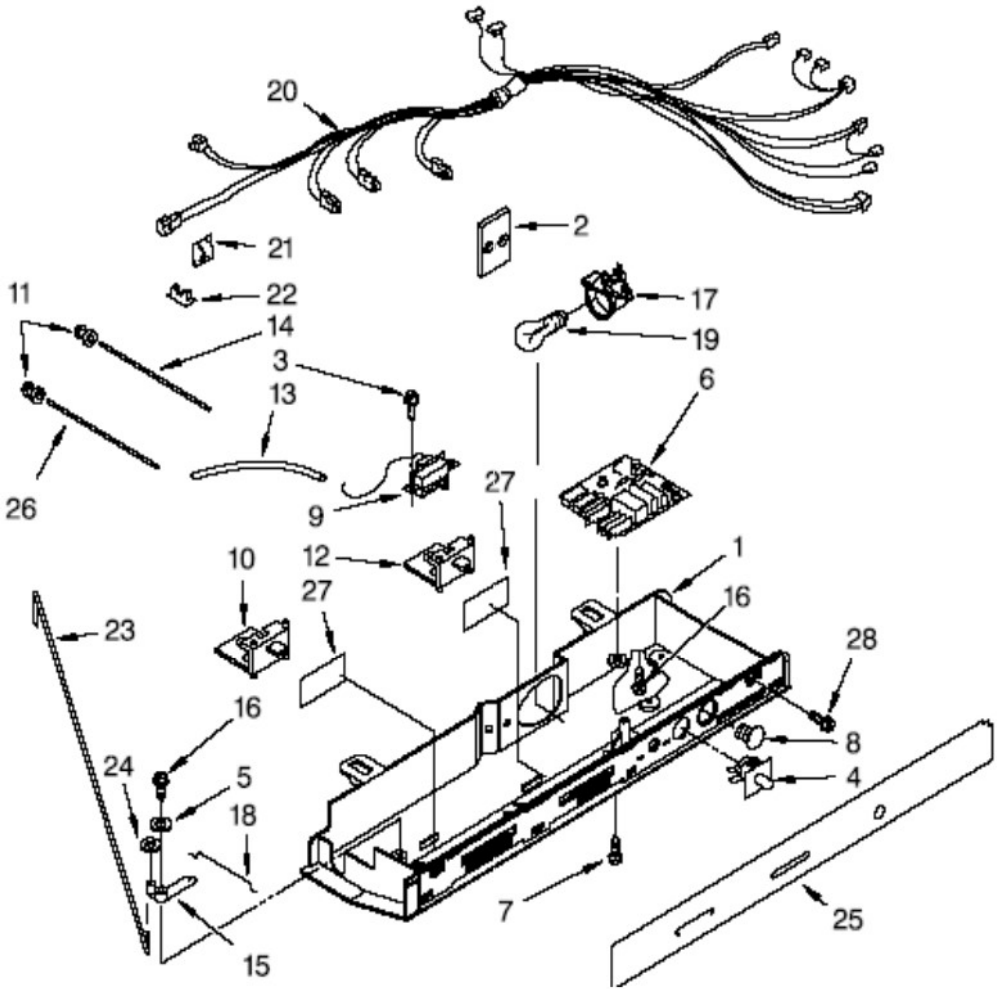
| No. Ilus. | DESCRIPCIÓN | No. de Parte |
|------------------|--------------------------------------|---------------------|
| 1 | Fan Scroll | 2182119 |
| 2 | Retainer Fan motor | 2155590 |
| 3 | Diffuser Air duct | W10151374 |
| 4 | Bi-metal Defrost | 2321799 |
| 5 | Air duct Freezer | 2203591 |
| 6 | Air Scoop | 2161229 |
| 7 | Fan motor | W10131845 |
| 8 | Fan blade | 2169142 |
| 9 | Gasket evaporator Cover | 2304241 |
| 10 | Fan Grommet | 2176759 |
| 11 | Duct Icemaker | 2182146 |
| 12 | Harness Fan Evaporator (includes #4) | W10129821 |
| 13 | Gasket Fan Scroll | 2155788 |
| 14 | Gasket | 2261191 |
| 15 | Cover Evaporator (includes #9) | 2203840 |
| 16 | Screw | *** |
| 17 | Screw | *** |
| 18 | Support R.S | 2203595 |
| 19 | Support L.S | 2203596 |

Distribuidor Autorizado

SurteRápido.com

Venta de Refacciones
Electrodomesticas

Refrigerador Whirlpool WD2550D02



Distribuidor Autorizado

SurteRápido.com

Venta de Refacciones
Electrodomesticas



Refrigerador Whirlpool WD2550D02

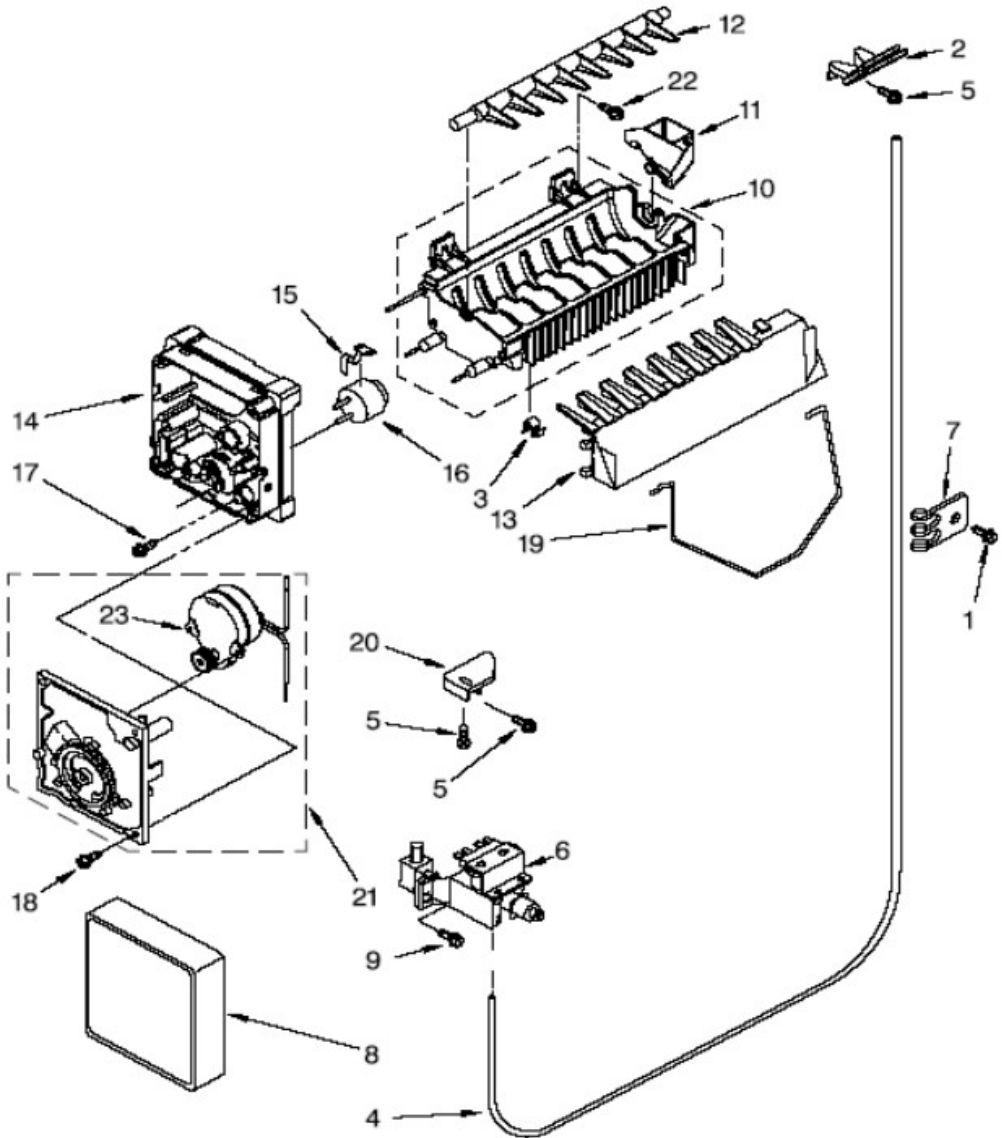
| No. Ilus. | DESCRIPCIÓN | No. de Parte |
|------------------|------------------------|---------------------|
| 1 | Control Box | 2181738 |
| 2 | Heat Shield | 2172931 |
| 3 | Screw | *** |
| 4 | Switch, Light | 2149705 |
| 5 | Spring Washer | 489203 |
| 6 | Control Board Assembly | 2303824 |
| 7 | Screw | *** |
| 8 | Hole Plug | 940014 |
| 9 | Thermostat | 2315562 |
| 10 | Slide, Air Control | 2181741 |
| 11 | Grommet, Light Bar | 2172906 |
| 12 | Slide, Thermostat | 2161466 |
| 13 | Tube Barrier | 2196001 |
| 14 | Light Bar (RC) | 2179920 |
| 15 | Pivot Arm | 2161306 |
| 16 | Screw | *** |
| 17 | Light Socket | 2162085 |
| 18 | Connecting Rod, Short | 2161307 |
| 19 | Light Bulb | 527949 |
| 20 | Control Box Harness | 2310533 |
| 21 | Clip, Wiring | 1115374 |
| 22 | Clip, Wiring | 1115375 |
| 23 | Connecting Rod | 2161308 |
| 24 | Fastner, Push-On | 489391 |
| 25 | Cover, Control Box | 2311429 |
| 26 | Light Bar (FC) | 2179921 |
| 27 | Window | 2175513 |
| 28 | Screw | *** |

Distribuidor Autorizado

SurteRápido.com

Venta de Refacciones
Electrodomesticas

Refrigerador Whirlpool WD2550D02



Distribuidor Autorizado

SurteRápido.com

Venta de Refacciones
Electrodomesticas



Refrigerador Whirlpool WD2550D02

| No. Ilus. | DESCRIPCIÓN | No. de Parte |
|------------------|----------------------------|---------------------|
| 1 | Screw | *** |
| 2 | Chute Water | 2209774 |
| 3 | Clip Fuse | 628379 |
| 4 | Tube Water | 2304316 |
| 5 | Screw | *** |
| 6 | Filter Valve Asm | 2188708 |
| 7 | Tube Clip | 489385 |
| 8 | Cover | 2174155 |
| 9 | Screw | *** |
| 10 | Molde y Heater Assembly | W10122527 |
| 11 | Cup water fill | W10122561 |
| 12 | Ejector | 627843 |
| 13 | Ice Striper | W10122563 |
| 14 | Support | 2195914 |
| 15 | Retainer Thermostat | 2315522 |
| 16 | Thermostat | 628397 |
| 17 | Screw | *** |
| 18 | Screw | *** |
| 19 | Shut off arm | 2304354 |
| 20 | Bracket | 2304317 |
| 21 | Module Assembly | 626681 |
| 22 | Screw | *** |
| 23 | Motor (Not Serviced) | 626683 |
| 100 | Complete Icemaker Assembly | W10190969 |