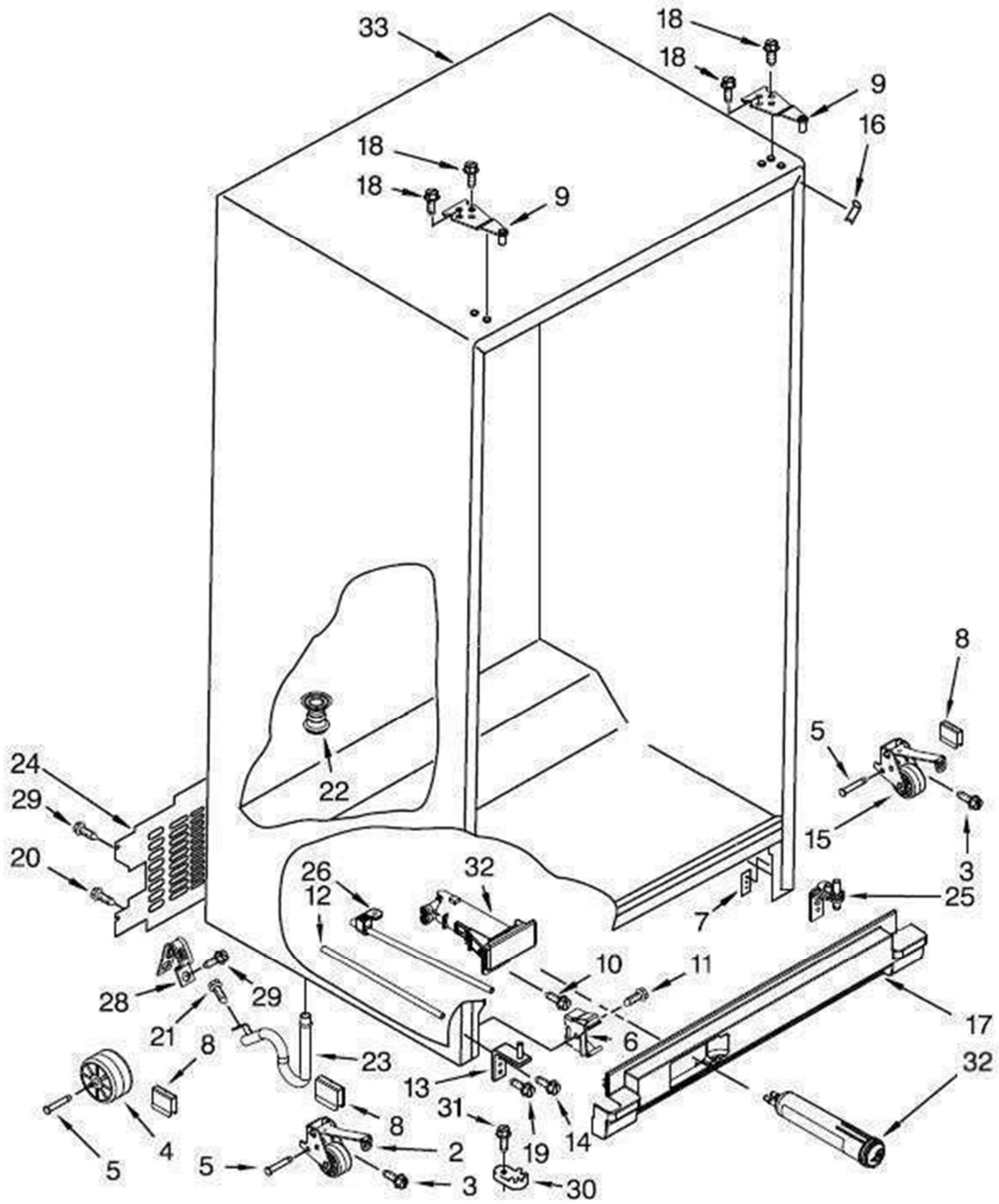




**REFRIGERADOR**  
**MODELO: WD2620S02**





## REFRIGERADOR WD2620S02

No. Ilus.	No. de Parte	DESCRIPCIÓN
2	W10327666	ROLLER
3	ROLLER	No servicable
4	2150304	ROLLER CABINET
5	2262072	AXLE, ROLLER
6	2155013	CLIP, GRILLE
7	W10247935	PLATE, SCREW
8	W11087168	CLIP, ROLLER
9	W10900868	TOP HINGE RC
9.1	W10900869	TOP HINGE FC
10	W10308751	SCREW
11	W10308751	SCREW
12	W10900449	TUBE FILTER - INLET
13	W11093938	HINGE, BOTTOM FC
14	No servicable	SCREW
15	W10327665	FRONT ROLLER RIGHT
16	W11189126	FILLER, WRAPPER
17	W11226345	GRILLE
18	No servicable	SCREW, HINGE
19	No servicable	SCREW
20	No servicable	SCREW
21	No servicable	SCREW
22	W11424515	DRAIN FITTING

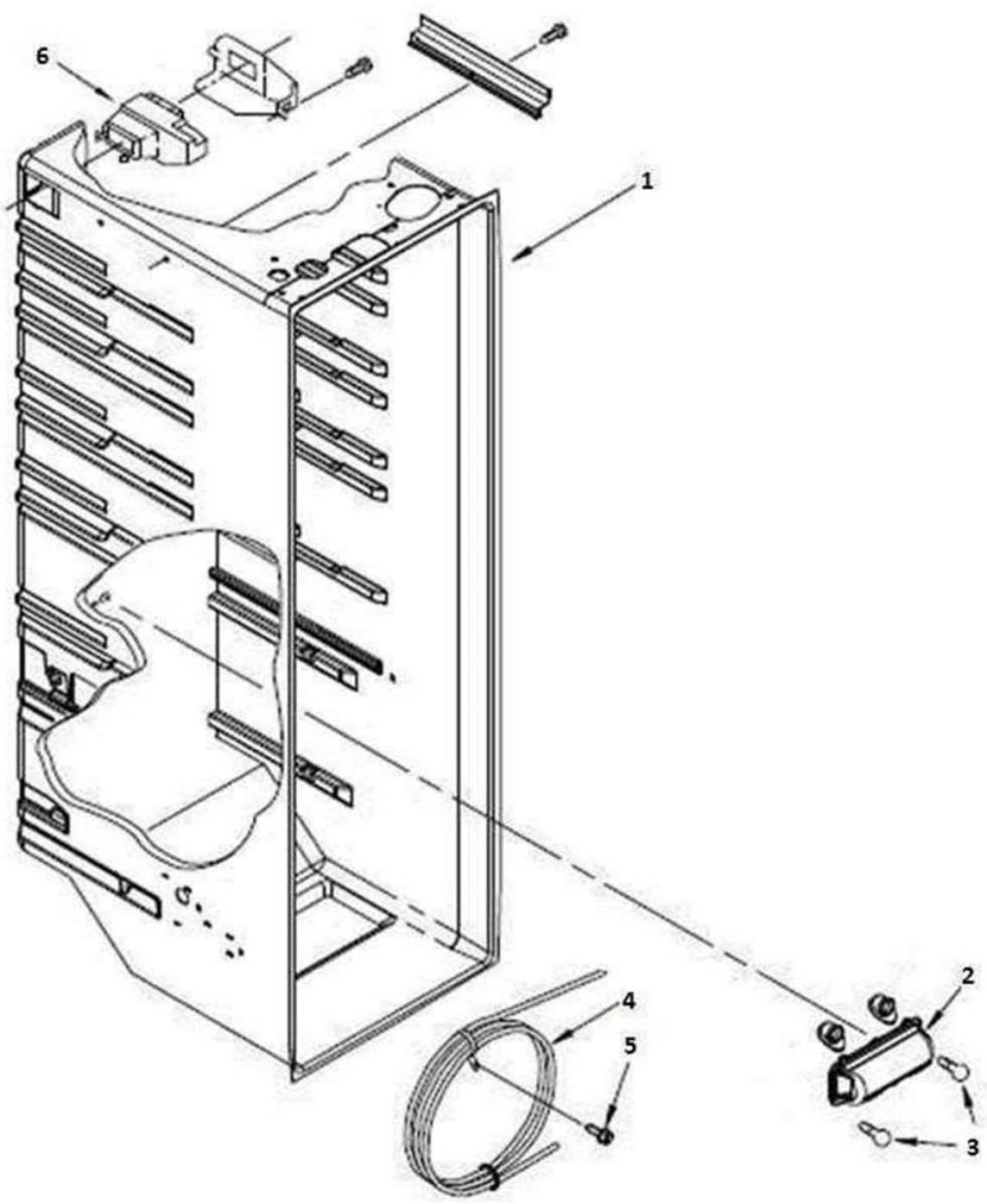


## REFRIGERADOR WD2620S02

23	W11404685	EXTENSION, DRAIN FITTING
24	W11613262	COVER UNIT
25	W11097327	HINGE, BOTTOM RC
26	W10900447	TUBE FILTER – OUTLET
28	W10303628	CLAMP, POWER CORD
29	No servicable	SCREW
30	W11095731	DOOR CLOSER, FREEZER
31	No servicable	SCREW
32	W11030555	HOUSING & FILTER ASSY.
33	No servicable	CABINET



# REFRIGERADOR WD2620S02



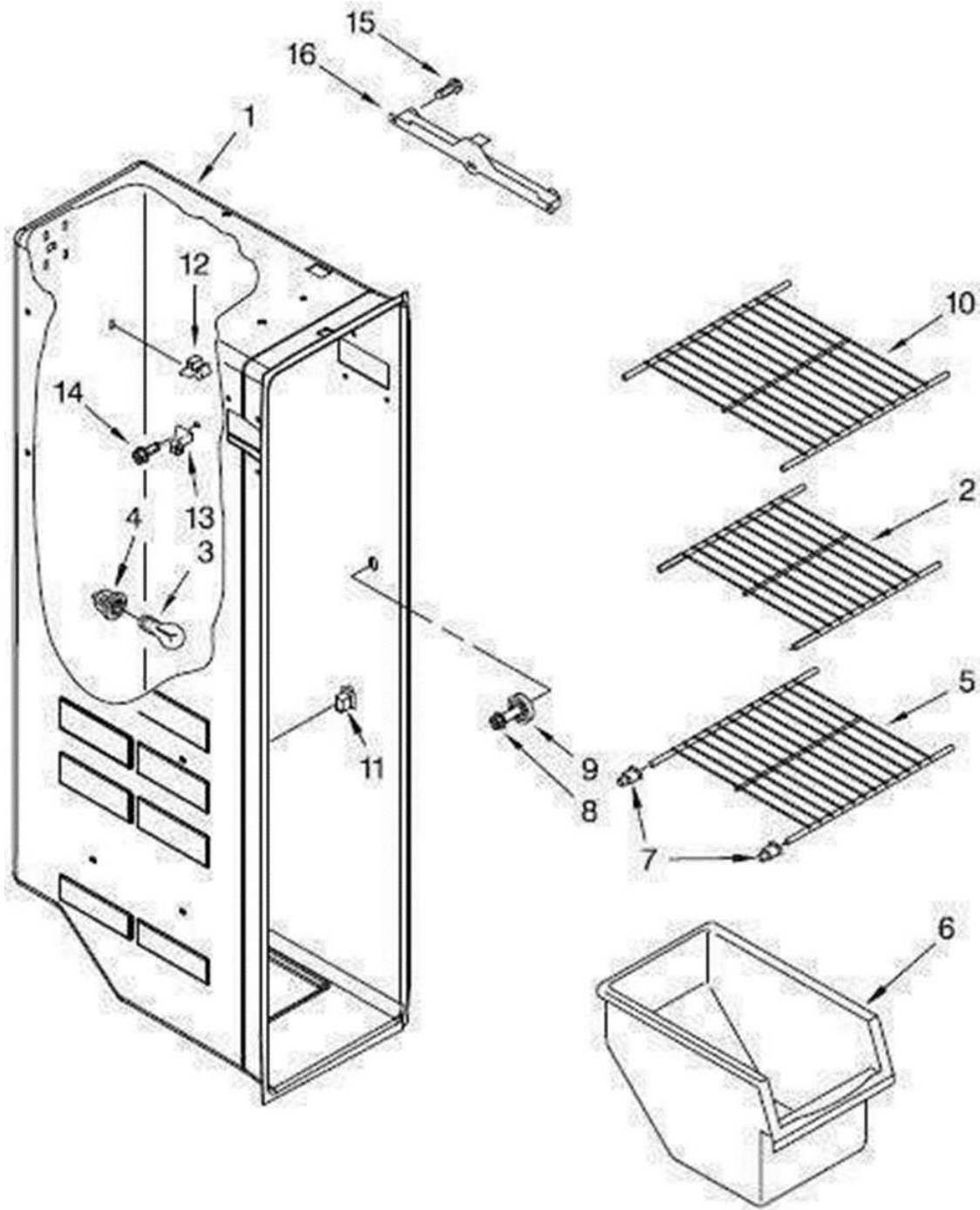


## REFRIGERADOR WD2620S02

# lust	Parte	Descripcion
1	*****	LINER
2	W10166130	SHIELD ASSY-LIGHT
3	W11125625	BULB, LIGHT
4	W11531176	RESERVOIR
5	*****	SCREW
6	W11264792	AIR DIFFUSER ASSEMBLY



# REFRIGERADOR WD2620S02

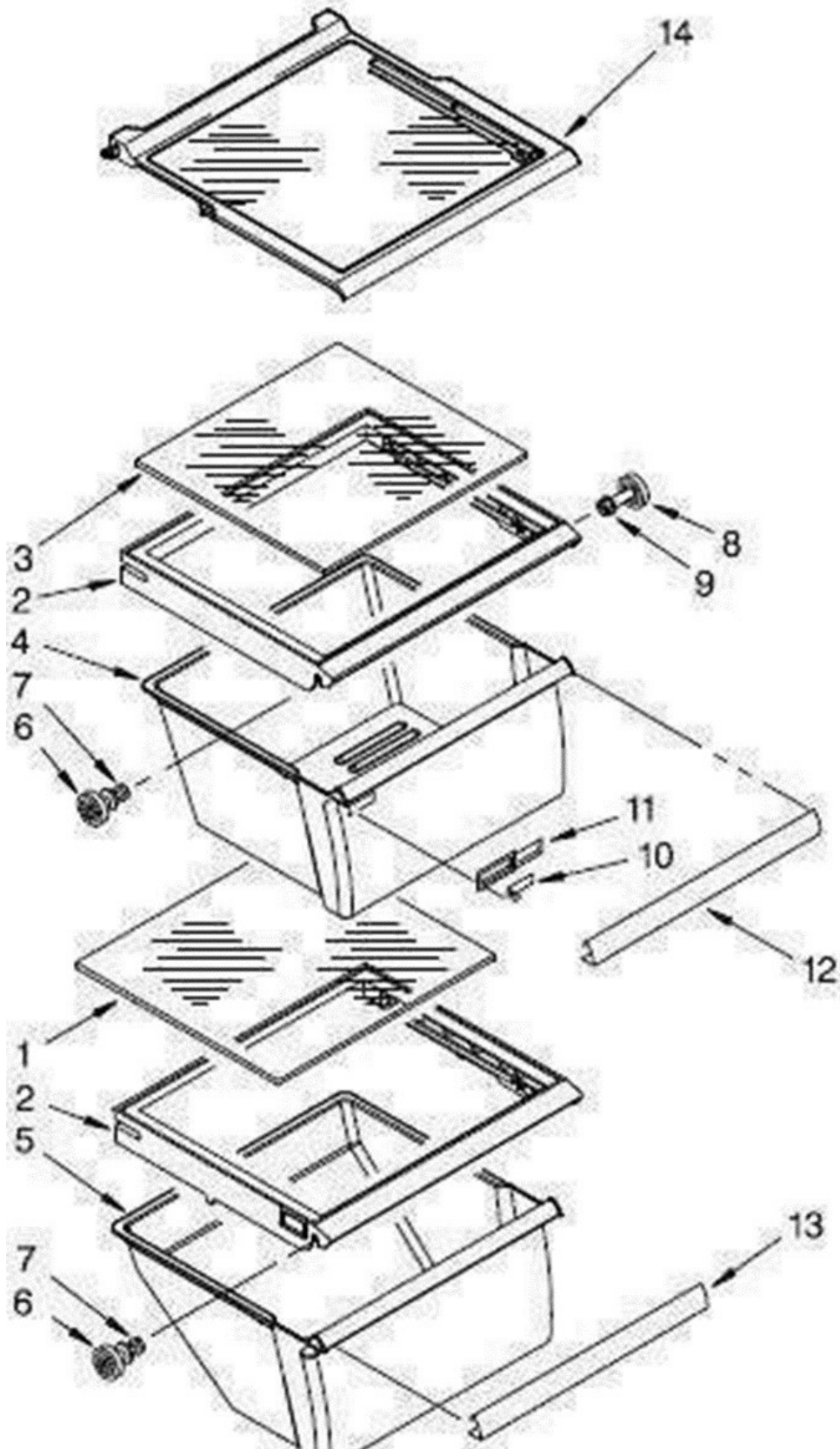




## REFRIGERADOR WD2620S02

No. Ilus.	No. de Parte	DESCRIPCIÓN
1	No erviciable	LINER
2	W10318952	SHELF, WIRE
3	W10805744	BULB, LIGHT
4	W10134764	SOCKET, LIGHT
5	W10318953	SHELF, WIRE
6	2309758	FREEZER BIN
7	W10130299	CUP, SHELF
8	No Serviciable	SCREW
9	W10173126	STUD ASSEMBLY
10	W10318960	SHELF, WIRE
11	2261344	SWITCH, ROCKER ARM
12	2315163	CLIP, AIR DUCT





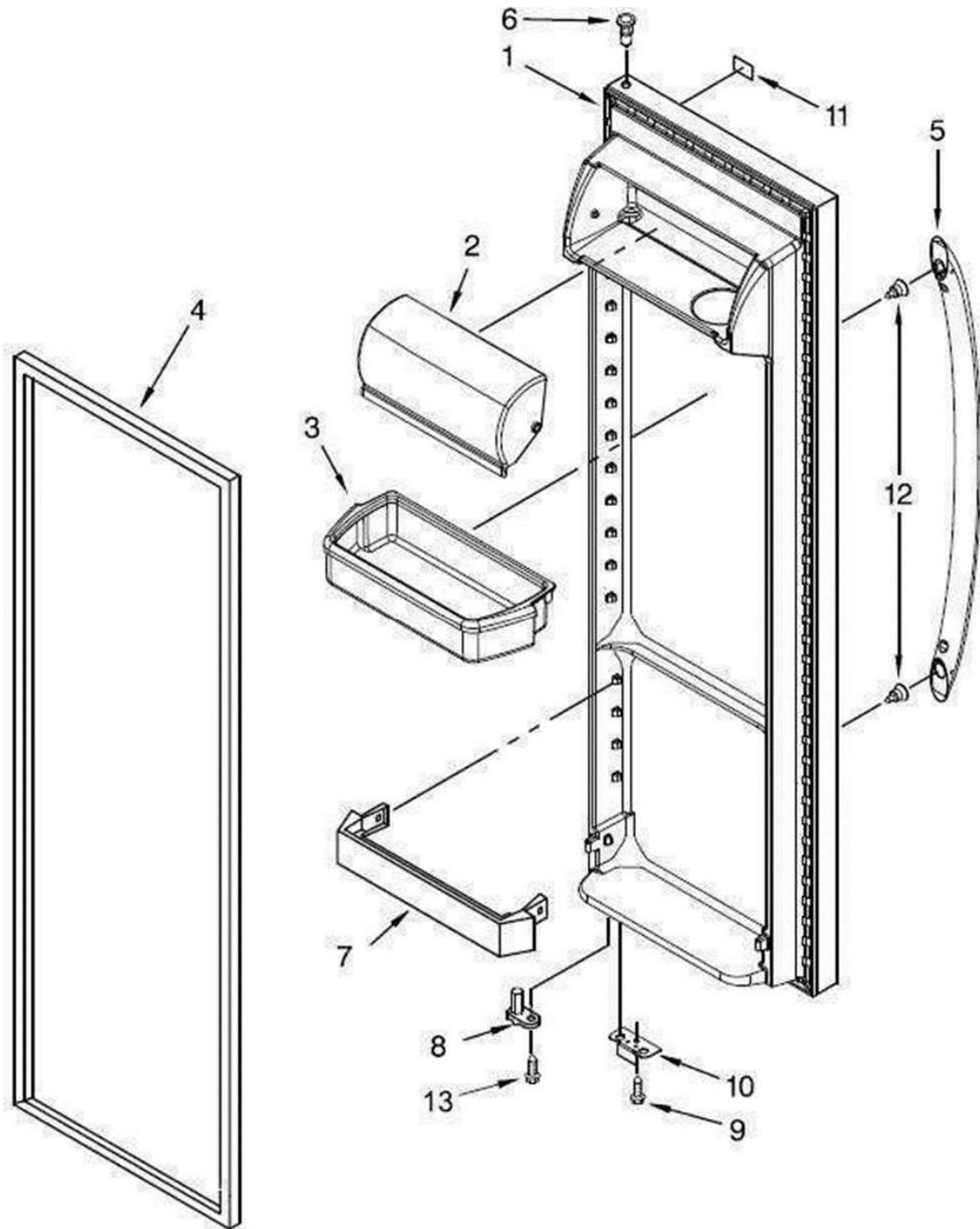


## REFRIGERADOR WD2620S02

No.Ilu	No. de Parte	DESCRIPCIÓN
1	W10898364	GLASS, COVER
2	W11351248	COVER, CRISPER
3	W10898364	GLASS, COVER
4	W11046494	CRISPER, PAN
5	W11035216	MEAT, PAN
6	W10173126	STUD, ASSEMBLY
7	No servicable	SCREW
8	W10173126	STUD ASSEMBLY
9	No servicable	SCREW
10	W10282883	SLIDE, HUMIDITY CONTROL
11	W10282880	BODY, HUMIDITY CONTROL
14	W11135529	SHELF ASSEMBLY, SPILLGUARD



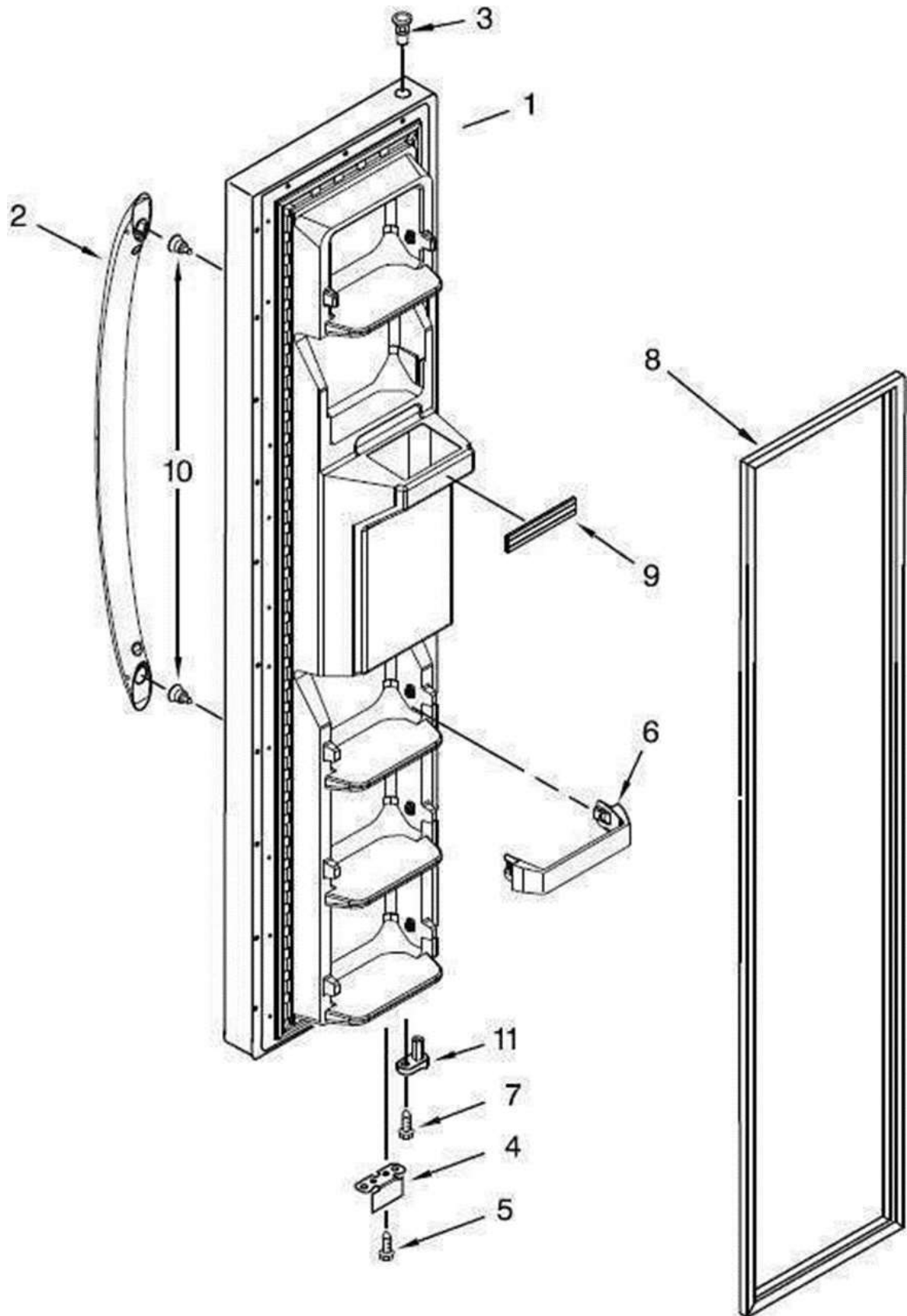
# REFRIGERADOR WD2620S02





## REFRIGERADOR WD2620S02

No. Ilus.	No. de Parte	DESCRIPCIÓN
1	LW11110272	REFRIGERATOR DOOR
2	2256101	DOOR COMPARTMENT
3	W10900538	BIN, DOOR
4	W10912318	DOOR GASKET MAGNETIC RC
5	W11289640	HANDLE
6	2256151	THIMBLE
7	2309941	TRIVET
8	W11097327	DOOR CLOSER, UPPER CAM
9	No servicable	SCREW
10	W10900463	BRACKET, DOOR STOP
11	W10884773	NAMEPLATE
12	No servicable	SCREW
13	No servicable	SCREW





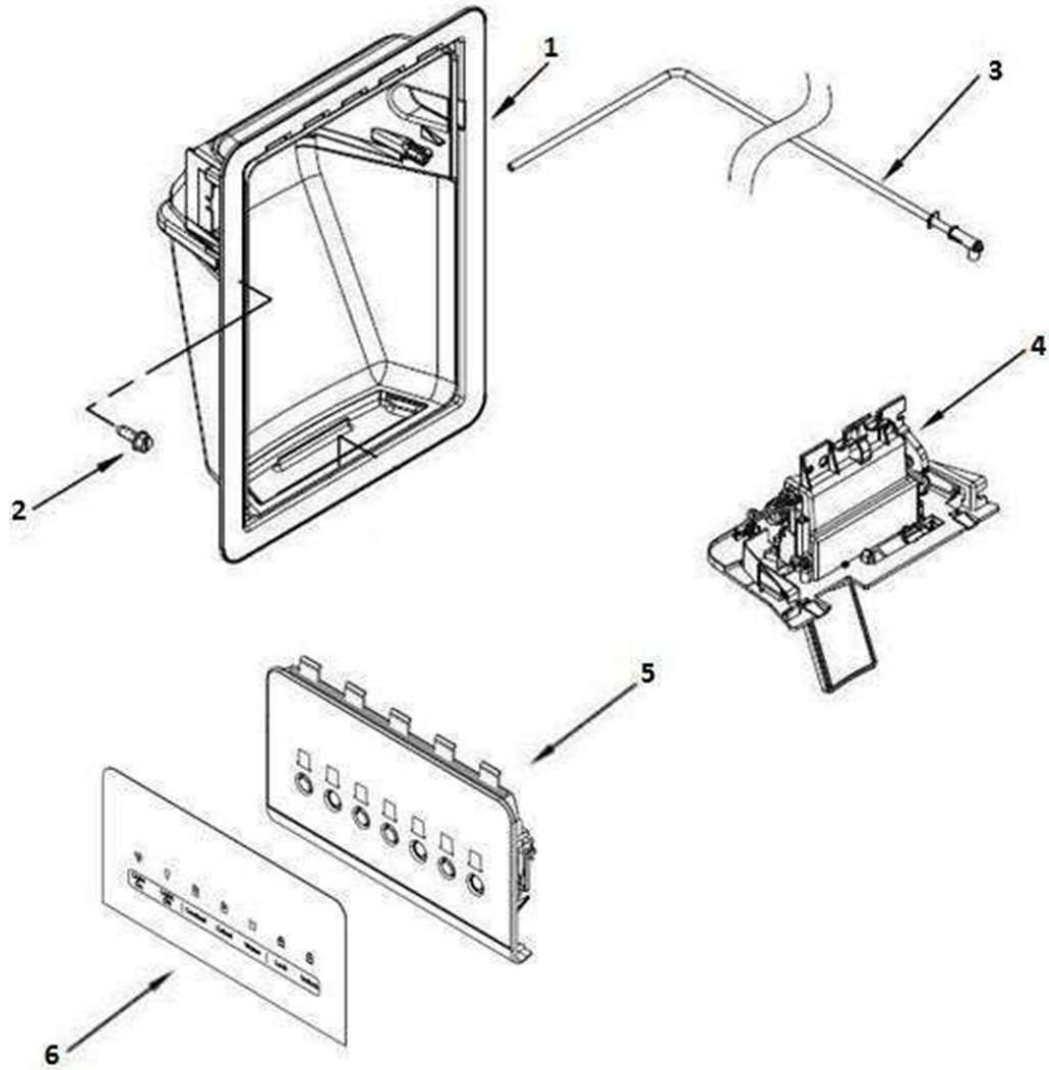
## REFRIGERADOR WD2620S02

# Ilus.	DESCRIPCIÓN	No. de Parte
1	LW11110268	FREEZER DOOR (INCLUYE ITEM 8
2	W11045530	HANDLE
3	2200087	THIMBLE
4	W10900531	BRACKET, DOOR STOP
5	No servicable	SCREW
6	2309717	TRIM, DOOR
7	No servicable	SCREW
8	W10911461	DOOR GASKET MAGNETIC
9	W10307492	TRIM, DOOR SHELF
10	No servicable	SCREW
11	W10900532	DOOR CLOSER, UPPER CAM





# REFRIGERADOR WD2620S02

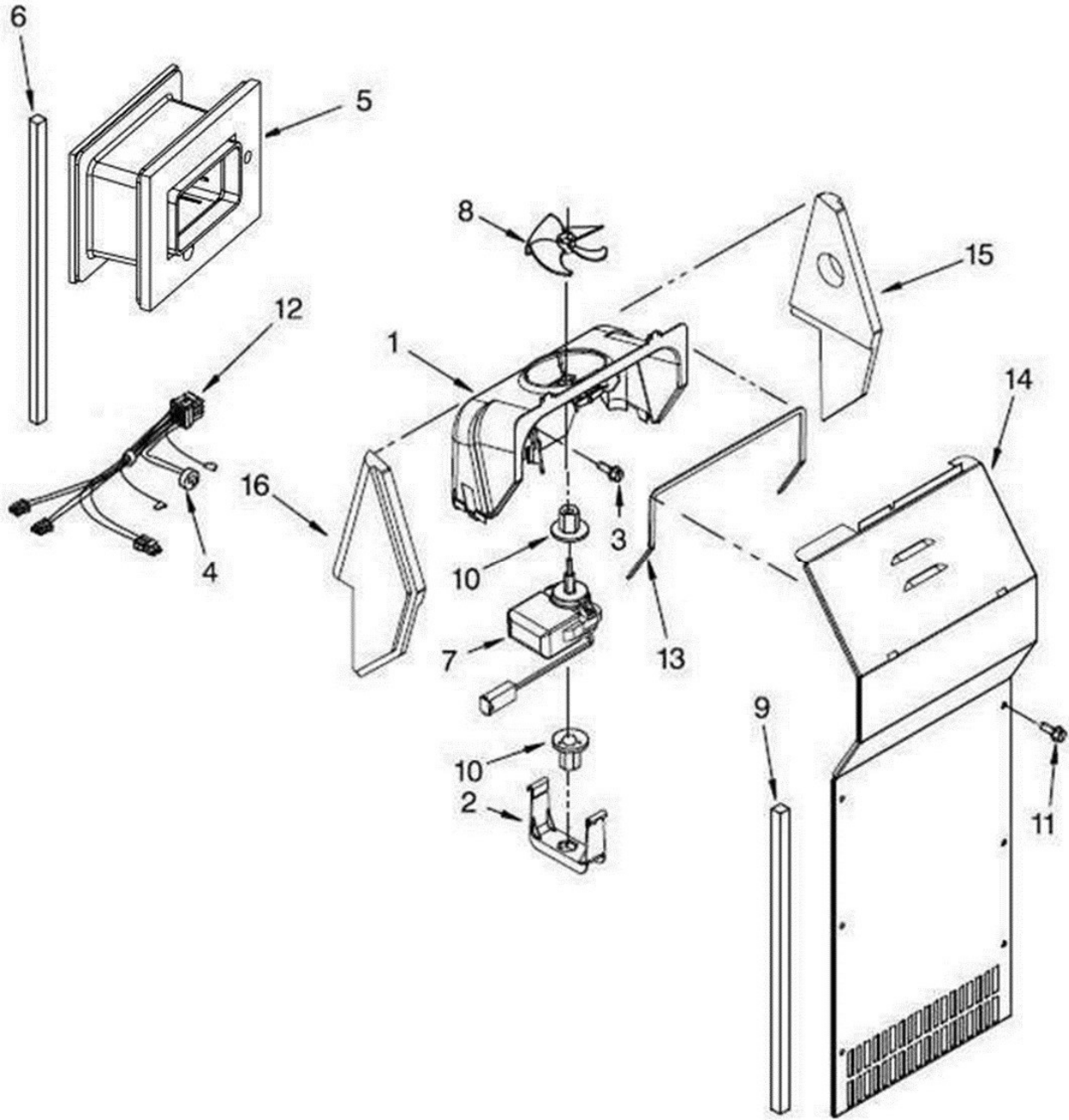




## REFRIGERADOR WD2620S02

# Ilus.	No. de Parte	DESCRIPCIÓN
1	No servicable	HOUSING, DISPENSER
2	No servicable	SCREW
3	W10284458	WATER FITTING ASSEMBLY
4	W11355298	SEPARATOR ASSEMBLY
5	W10898320	U.I. ASSEMBLY
6	W10902338	OVERLAY

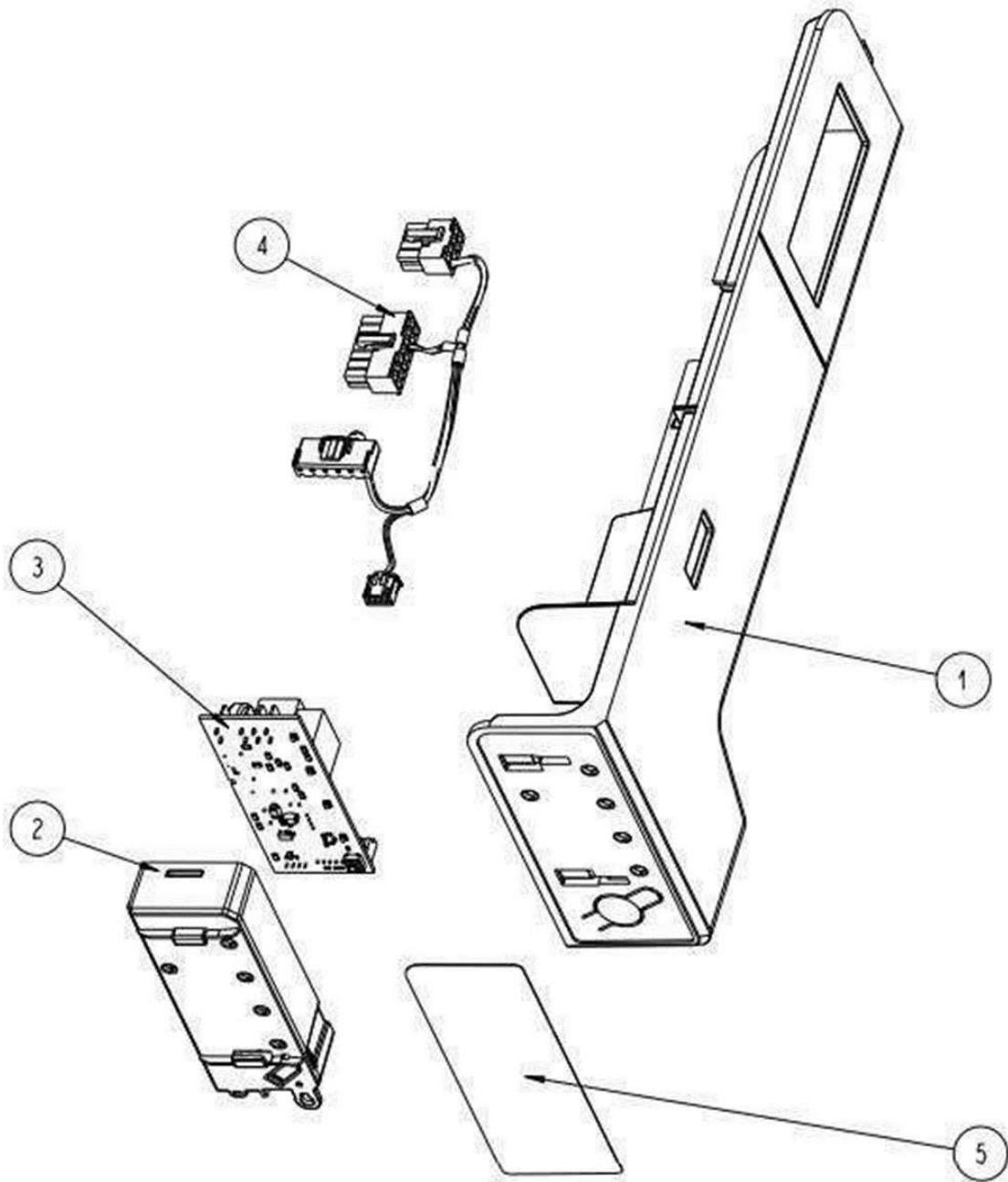






## REFRIGERADOR WD2620S02

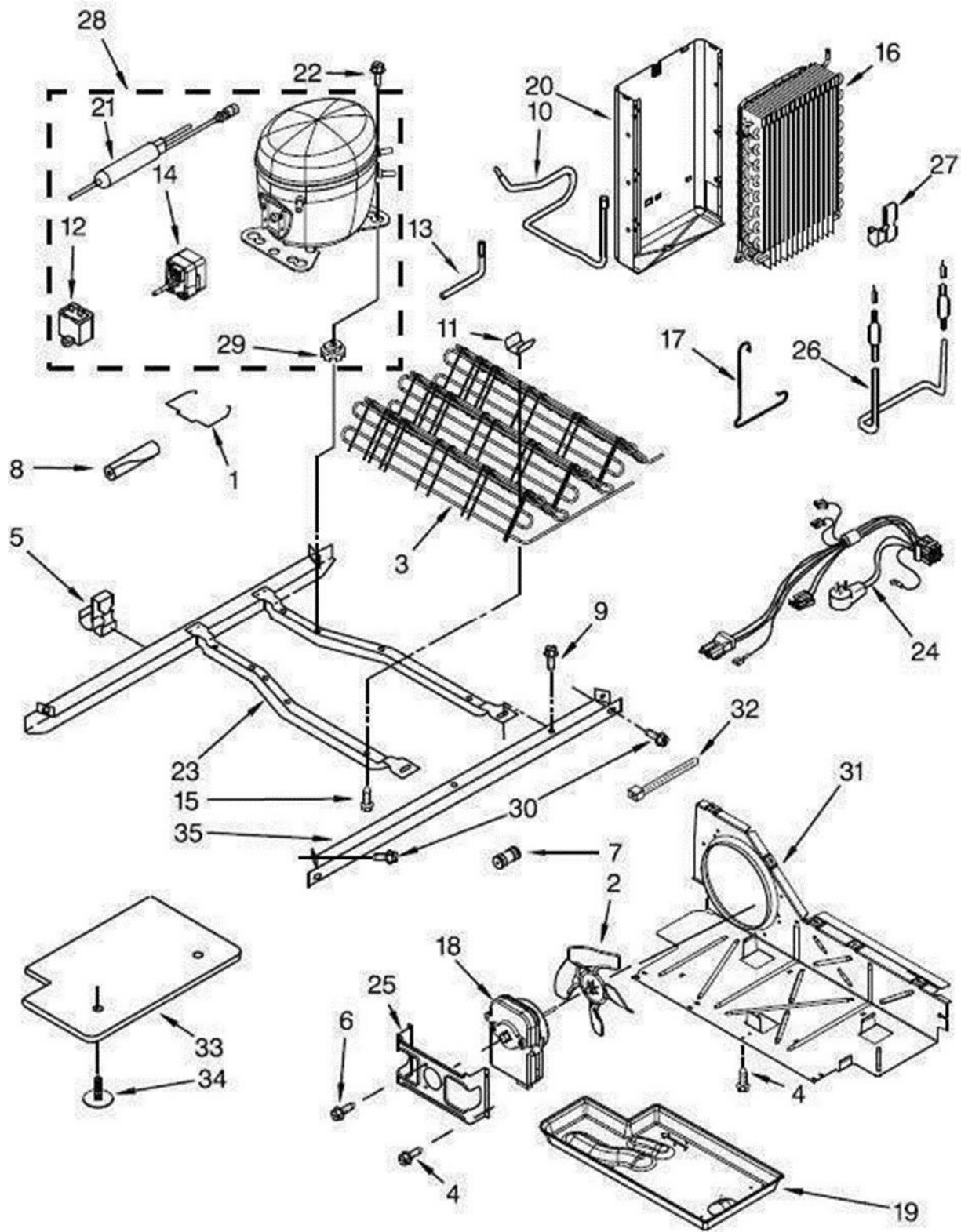
Ilus.	# Parte	Descripción
1	2182119	SCROLL, FAN
2	W10188846	RETAINER, FAN MOTOR
3	No servicable	SCREW
4	W10384183	THERMISTOR RC
5	W10898320	AIR DUCT FREEZER
6	2155788	GASKET
7	2315549	FAN MOTOR
8	2169142	BLADE, FAN
9	2304241	GASKET, EVAPORATOR COVER
10	2176759	GROMMET, MOTOR
11	No servicable	SCREW
12	W11342162	HARNESS, FAN TUBE EVAPORATOR
13	2304241	GASKET, EVAPORATOR COVER
14	W10463010	COVER, EVAPORATOR
15	W11414497	SUPPORT, RIGHT HAND
16	W11414496	SUPPORT, LEFT HAND





## REFRIGERADOR WD2620S02

# Ilus.	# Parte	DESCRIPCIÓN
1	W11176495	CONTROL BOX PLASTIC
2	*****	BASE CONTROL BOX
3	W11298156	ELEC CONTROL ATHENA (incluye # 3
4	W11228995	HARNESS - CTL BOX
5	W11026462	OVERLAY WHIRLPOOL D LITE
6	W11026019	CONTROL BOX ASSEMBLY







## REFRIGERADOR WD2620S02

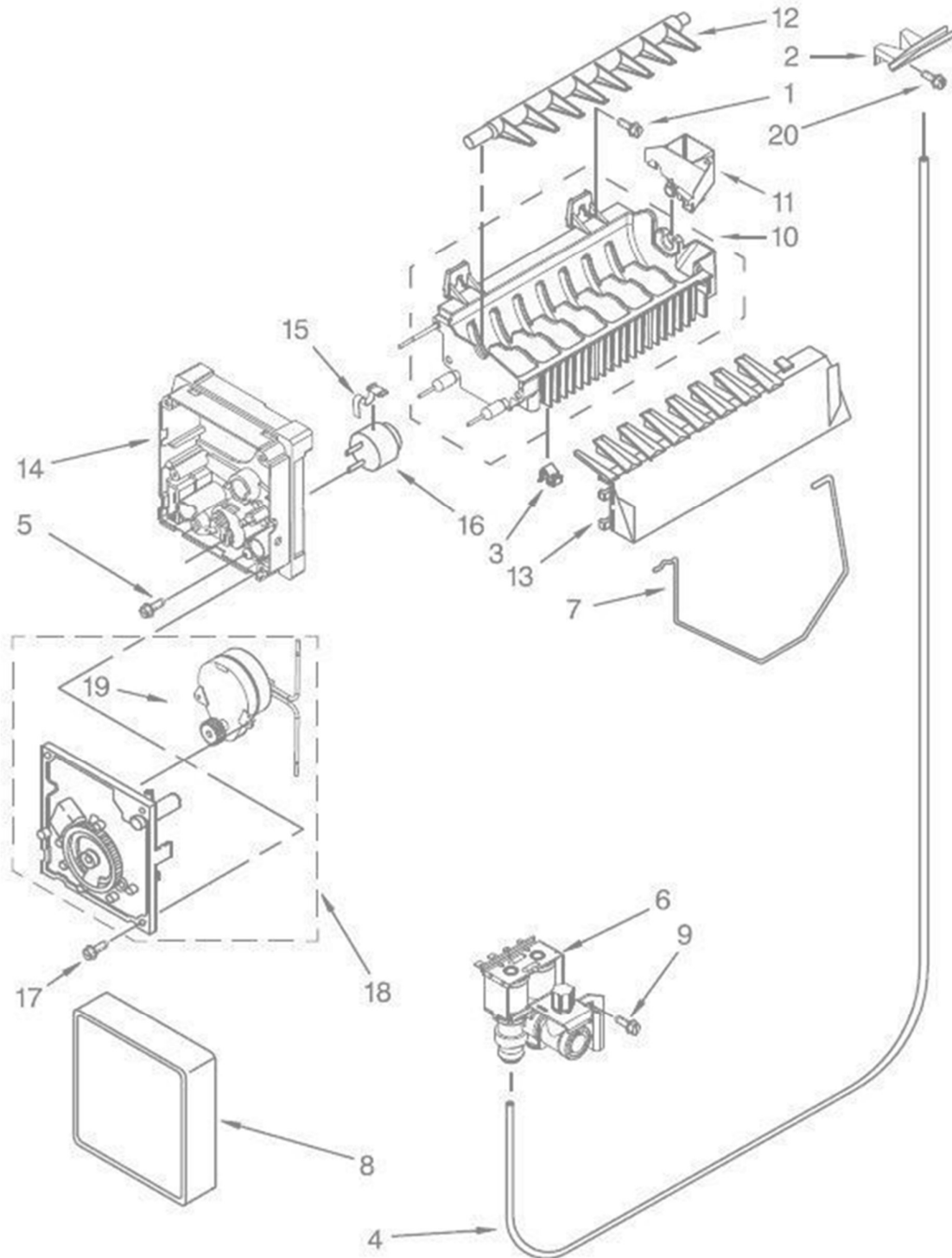
No.Illus.	No. de Parte	DESCRIPCIÓN
1	2212996	Strap, Bale
2	2225834	Blade, Fan
3	W11553540	Condenser Assembly
4	No servicable	Screw
5	2223913	Clip, Wire
6	No servicable	Screw
7	W10271541	Connector, Water Tube
8	2161302	Sleeve, Pressure Switch Hose
9	No servicable	Screw
10	W10745338	Tube, Suction
11	2311725	Clip, Condenser
12	W10350564	Capacitor
13	No servicable	Tube, Process
14	W10197428	Start Device Combination (Start
15	No servicable	Screw
16	W11357917	Evaporator, FC
17	2161324	Clip, Defrost Heater
18	W11546724	Motor, Condenser
19	W10897557	Tray, Evaporator
20	W10194474	Heat Shield and Drain Pan
21	W10771114	Drier
22	No servicable	Screw



## REFRIGERADOR WD2620S02

23	W10905881	Frame, Unit Mounting
24	W11218404	Unit, Harness
25	2181929	Bracket, Fan Motor
26	W10495967	Heater, Defrost
27	2161324	Clip, Defrost Heater
28	W11121386	Compressor
29	W10836504	Grommet
30	489340	Screw
31	W10896764	Air Baffle
32	2263990	Tie, Wire
33	W10905883	Unit Cover, Bottom
34	489396	Clip
35	W10905882	Rail, Unit Mounting

**FABRICA DE HIELO**







# REFRIGERADOR WD2620S02

## SISTEMA DE SELLADO

No.lus	No. de Parte	DESCRIPCIÓN
1	No servicable	SCREW
3	628379	CLIP, THERMAL FUSE
4	W10357069	TUBE, WATER
5	No servicable	SCREW
6	W11563185	FILTER VALVE ASSEMBLY
7	W11182354	ARM, SHUTT OFF
8	W10289690	COVER, ICEMAKER
9	No servicable	SCREW
10	W10477139	ASSEMBLY, MOLD & HEATER
11	W10435665	CUP-WATER FILL
12	W10318914	EJECTOR, ARM
13	W10699925	STRIPPER, ICE
14	2194712	SUPPORT
15	2315522	RETAINER, THERMOSTAT
16	2321258	THERMOSTAT
17	No servicable	SCREW
18	626681	ASSEMBLY, MODULE
19	No servicable	MOTOR (NO SERVICIABLE)
20	No serviceable	SCREW
21	W10670844	CONTAINER ICE
**	W10300022	COMPLETE ICEMAKER ASSEMBLY