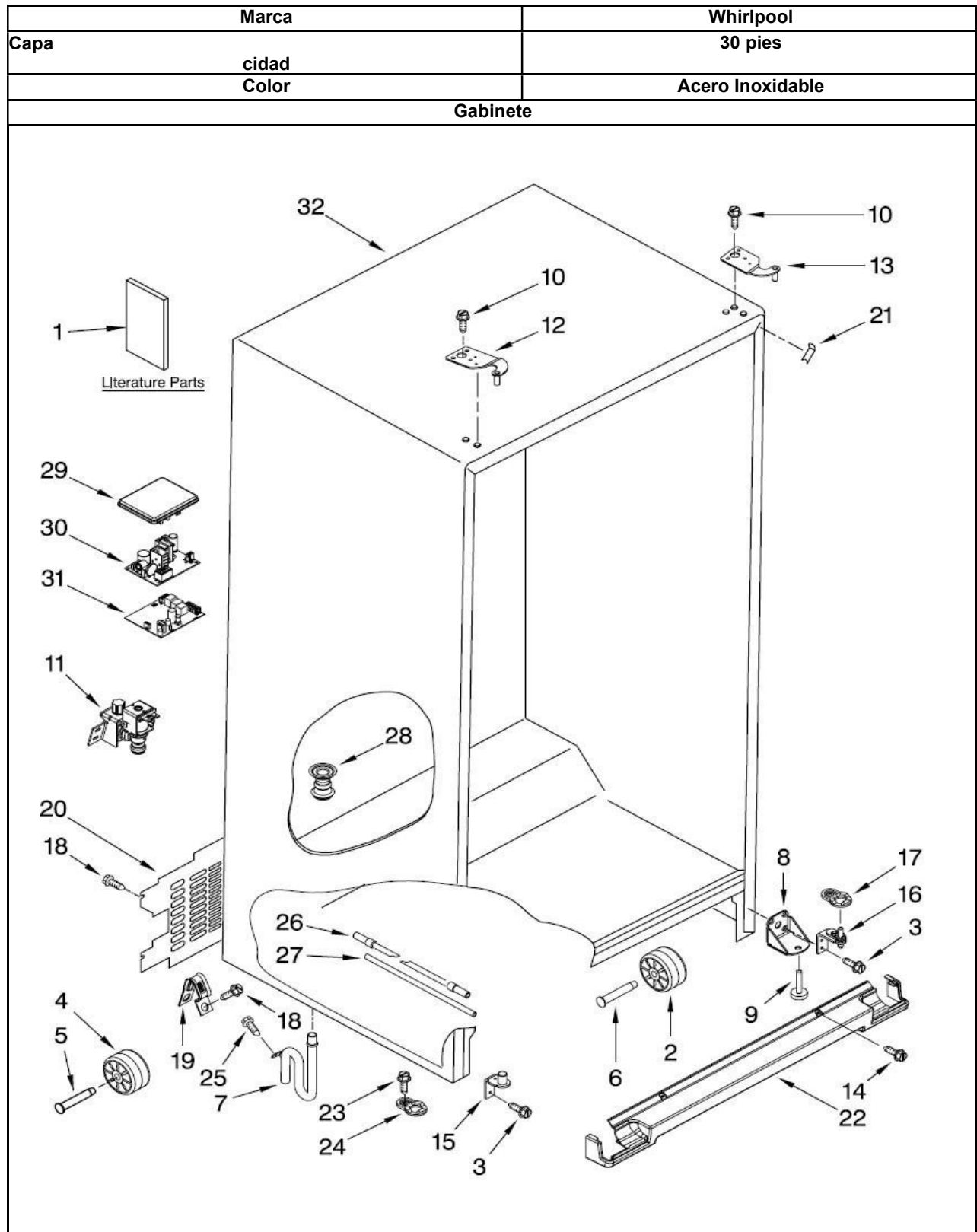




EXPLOSIONADO DE PARTES — REFRIGERADOR IMPORTADO —

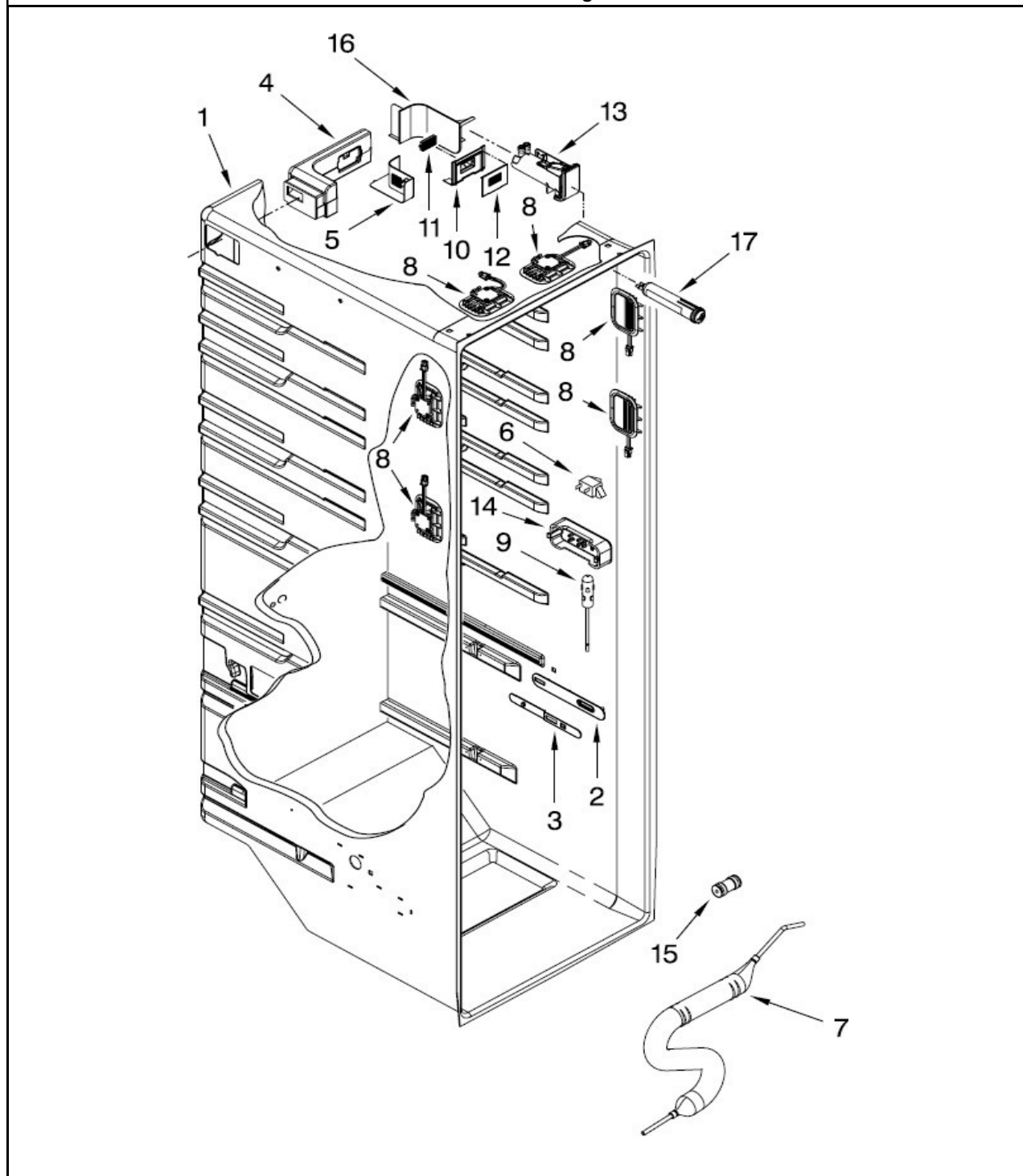
MODELO | WD3090Y01



Marca		Whirlpool	
Capacidad		30 pies	
Color		Acero Inoxidable	
Gabinete			
R e f	Descripción	C a n t	Numero de Parte
1	Literature Parts	*	*****
2	Front Roller	2	2150304
3	Screw	*	*****
4	Roller (Rear)	2	12477102
5	Axle, Roller	2	12477202
6	Rivet, Roller	1	W10285005
7	Extension Tube	*	*****
8	Bracket Foot	2	W10257186
9	Foot, Brake	2	W10141622
10	Screw	*	*****
11	Valve, Inlet	1	W10238100
12	Hinge, Top (FC)	1	W10249922
13	Hinge, Top (RC)	1	W10249925
14	Screw	*	*****
15	Bottom Hinge (FC)	1	W10249943
16	Bottom Hinge (RC)	1	W10257209
17	Door Closer (RC)	1	W10257197
18	Screw	*	*****
19	Clamp, Service Cord	*	*****
20	Cover, Unit	1	W10257325
21	Filler, Wrapper	2	12587703AP
22	Grille	1	W10257234
23	Screw	*	*****
24	Door Closer (FC)	1	W10257200
25	Screw	*	*****
26	Tube, Filter Inlet	1	W10277956
27	Tube, Filter Outlet	1	W10277957
28	Drain Fitting	*	*****
29	Cover	1	12957702
30	Elec. Control-15W	1	W10235414
31	Elec. Control-P/S	1	W10120821
32	Cabinet (Not A Servicable Part)	*	*****

Marca	Whirlpool
Capacidad	30 pies
Color	Acero Inoxidable

Partes del Liner Refrigerador





REFRIGERADOR WD3090Y01

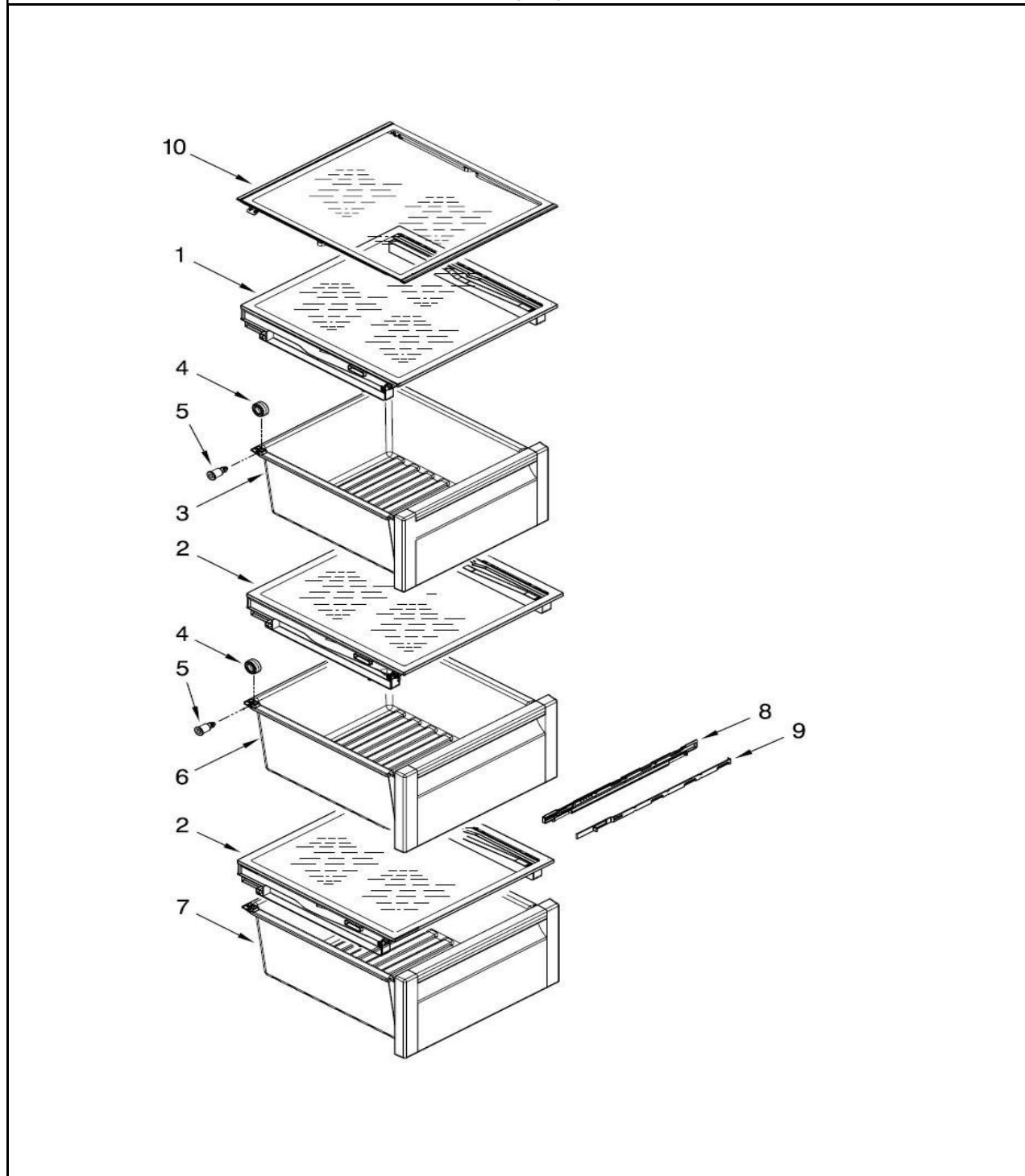
Marca		Whirlpool	
Capacidad		30 pies	
Color		Acero Inoxidable	
Partes del Liner Refrigerador			
R e f	Descripción	C a n t	Numero de Parte
1	Liner (Not A Servicable Part)	*	*****
2	Escutcheon, Meat Pan Control	1	W10260988
3	Slide, Meat Pan Control	1	W10260989
4	Air Diffuser Assy	1	W10251495
5	Air Diffuser Cover	1	W10307031
6	Switch Rocker Arm	1	C3680314
7	Reservoir	1	W10366790
8	LED Light Assy	6	W10279030
9	Thermistor		W10280385
10	Air Filter Housing	1	W10342986
11	Air Filter	1	W10315189
12	Air Filter Cover	1	W10340015
13	Housing, Water Filter	1	W10238123
14	Cover, Thermistor	1	W10356630
15	Connector, 1/4 x 5/16	1	W10271543
16	Cover, Water Filter	1	W10260405
17	Water Filter	1	W10295370



REFRIGERADOR WD3090Y01

Marca	Whirlpool
Capacidad	30 pies
Color	Acero Inoxidable

Parrillas y Cajones





REFRIGERADOR WD3090Y01

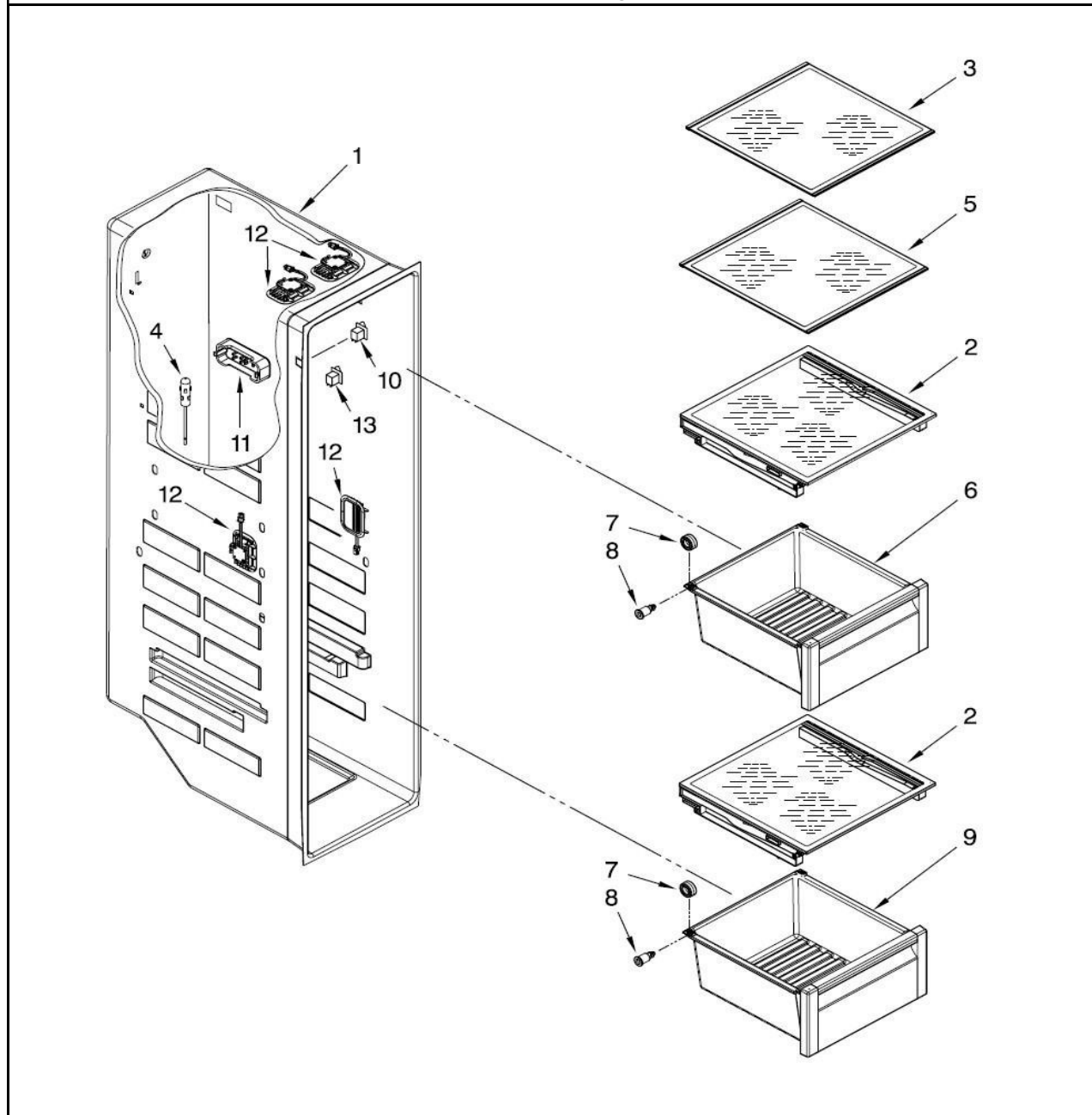
Marca		Whirlpool	
Capacidad		30 pies	
Color		Acero Inoxidable	
Parrillas y Cajones			
R e f	Descripción	C a n t	Numero de Parte
1	Shelf, Snack Pan	1	W10290493
2	Cover, Assy	2	W10282541
3	Snack Pan Includes 4 & 5	1	W10256800
4	Roller	6	W10278139
5	Axle, Roller	6	W10257246
6	Crisper Pan Includes 4 & 5	1	W10256801
7	Meat Pan Includes 4 & 5	1	W10256802
8	Housing, Humidity	1	W10257332
9	Slide, Humidity	1	W10257334
10	Shelf Assy	3	W10276662



REFRIGERADOR WD3090Y01

Marca	Whirlpool
Capacidad	30 pies
Color	Acero Inoxidable

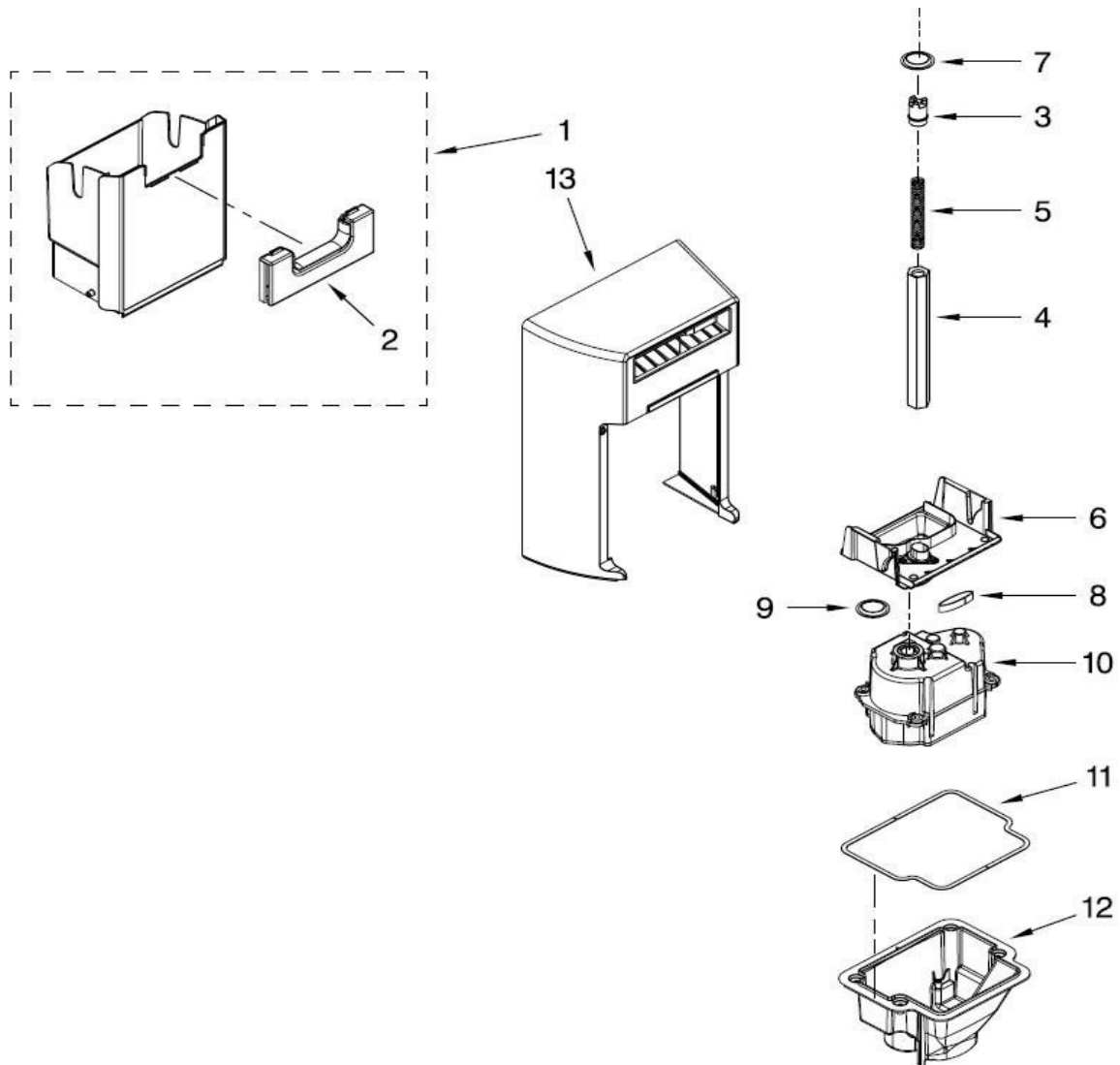
Partes de Liner Congelador



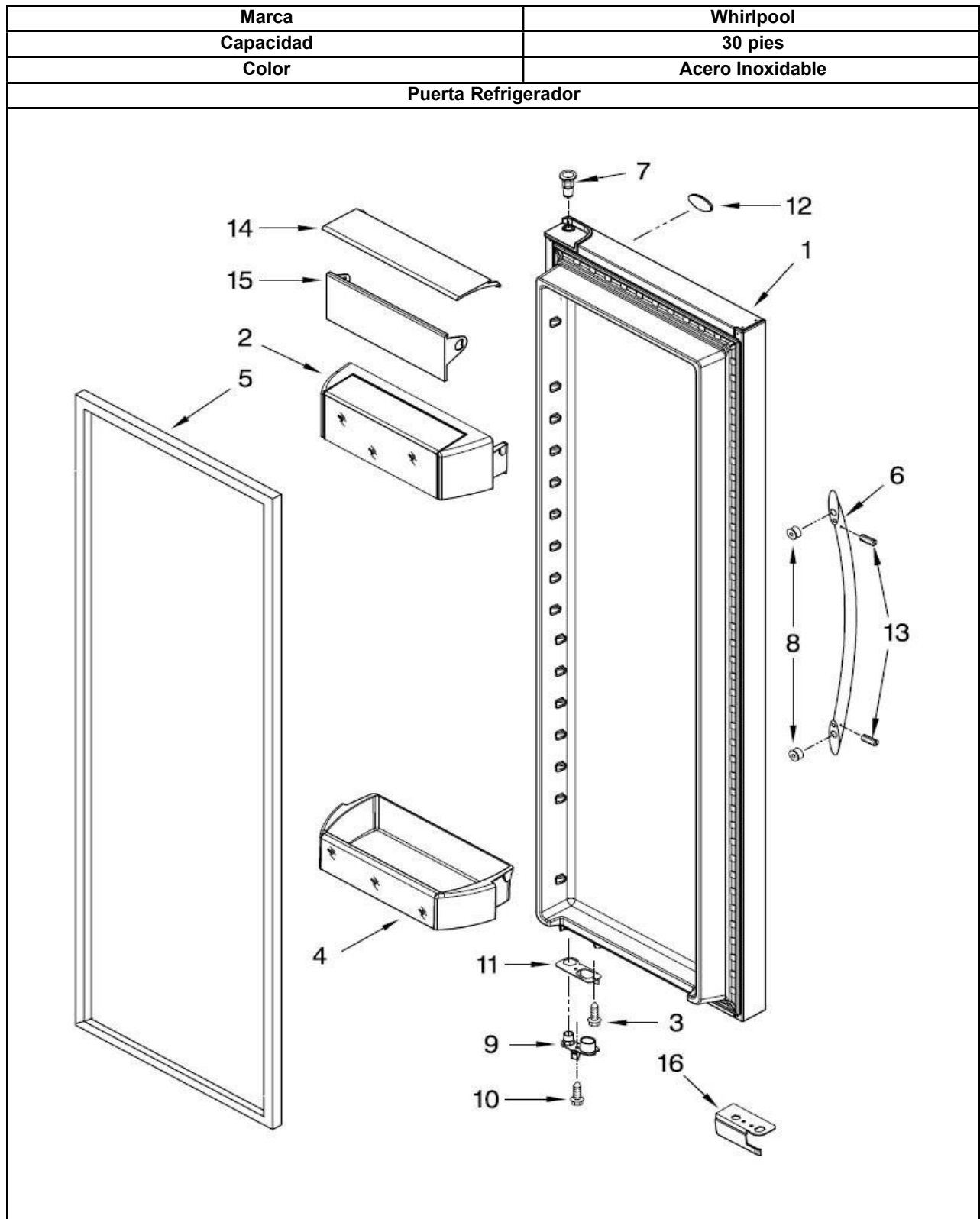
Marca		Whirlpool	
Capacidad		30 pies	
Color		Acero Inoxidable	
Partes de Liner Congelador			
R e f	Descripción	C a n t	Numero de Parte
1	Liner (Not A Servicable Part)	*	*****
2	Cover Assy	2	W10290894
3	Shelf, Glass Upper	2	W10322802
4	Thermistor	1	W10280386
5	Shelf, Glass Lower	1	W10322804
6	Pan, Freezer Upper Includes 7 & 8	1	W10322653
7	Roller	4	W10278139
8	Axle, Roller	4	W10257246
9	Pan, Freezer Lower Includes 7 & 8	1	W10322649
10	Switch, Rocker Arm Ice Maker	1	12466114
11	Cover, Thermistor	1	W10356632
12	LED Light Assy	4	W10279030
13	Switch, Rocker Arm Light	1	W10419177

Marca	Whirlpool
Capacidad	30 pies
Color	Acero Inoxidable

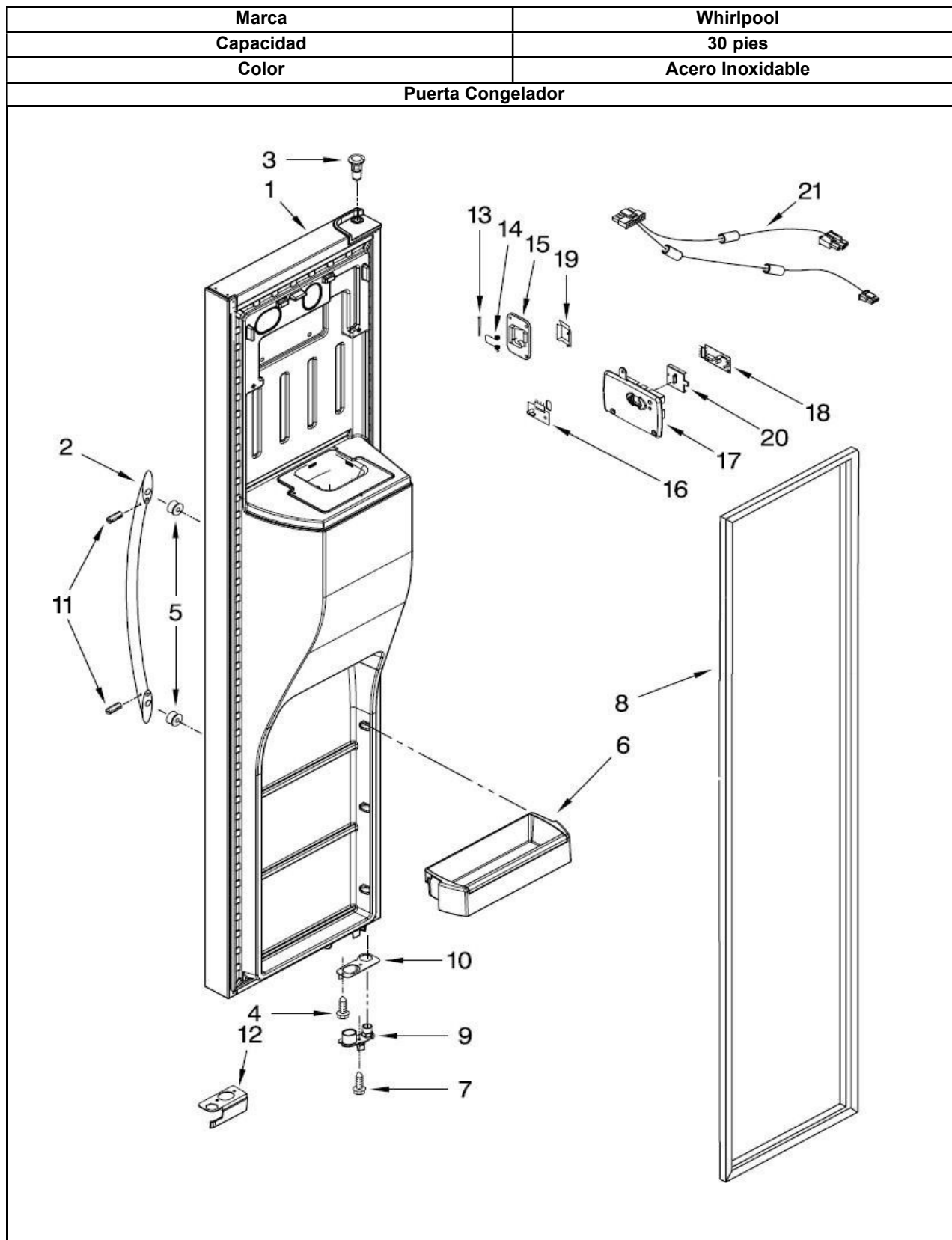
Partes del Contenedor de Hielos



Marca		Whirlpool	
Capacidad		30 pies	
Color		Acero Inoxidable	
Partes del Contenedor de Hielos			
R e f	Descripción	C a n t	Numero de Parte
1	Ice Bin Assy	1	W10353207
2	Latch, Assy	1	W10258552
3	Coupling, Lower	1	2220458
4	Drive Shaft	1	W10258544
5	Spring, Coupling	1	2198607
6	Mounting Plate Assy	1	W10293211
7	Seal	1	2198628
8	Gasket	1	W10291905
9	Washer	1	2212370
10	Dispenser, Motor	1	2323603
11	Motor Box, Assy	1	W10238131
12	Gasket	2	W10166854
13	Cover, Container	1	W10287594
100	Ice Container (Complete)	1	W10353207



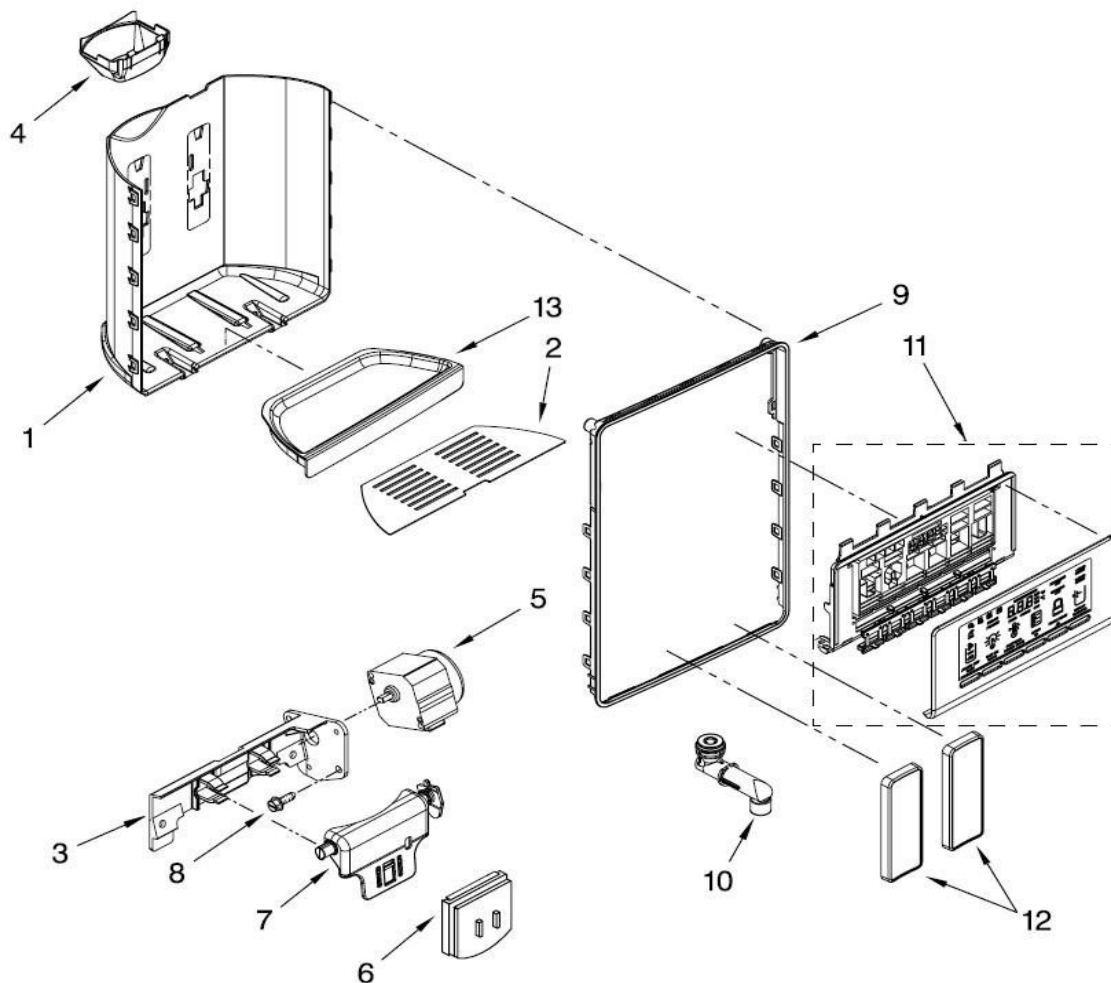
Marca		Whirlpool	
Capacidad		30 pies	
Color		Acero Inoxidable	
Puerta Refrigerador			
R e f	Descripción	C a n t	Numero de Parte
1	Refrigerator Door (Includes item 5)	1	LW10395378
2	Door Compartment Assy	1	W10336573
3	Screw	*	*****
4	Door Bin, Gallon	1	W10335219
5	Door Gasket	1	W10249916
6	Handle	1	W10274730
7	Thimble-Top	1	2200087
8	Stud, Handle	2	W10170540
9	Door Closer, Upper Cam	1	W10257203
10	Screw	*	*****
11	Bracket, Door Stop Chrome	1	W10247909
12	Badge Whirlpool	1	W10393264
13	Set Screw	*	*****
14	Lid, Door Compartment	1	W10316883
15	Window, Door Compartment	1	W10336570
16	Cover, Door Stop	1	W10257218



Marca		Whirlpool	
Capacidad		30 pies	
Color		Acero Inoxidable	
Puerta Congelador			
R e f	Descripción	C a n t	Numero de Parte
1	Freezer Door (Includes Item 8)	1	LW10397057
2	Handle	1	W10274730
3	Thimble-Top	1	2200087
4	Screw	*	*****
5	Stud, Handle	2	W10170540
6	Door Bin	3	W10335217
7	Screw	*	*****
8	Door Gasket, Magnetic	1	W10249917
9	Door Closer, Upper Cam	1	W10257206
10	Bracket, Door Stop Chrome	1	W10247907
11	Set Screw	*	*****
12	Cover, Door Stop	1	W10257223
13	Pin	1	2198634
14	Spring	1	2198635
15	Cover, Emitter	1	W10258502
16	P.C. Board, Emitter	1	W10180607
17	Cover Receiver	1	W10258510
18	P.C. Board, Receiver	1	W10296530
19	Flipper	1	W10258520
20	Slide, Ice Maker Shut Off	1	W10258540
21	Harness, Emitter & Receiver	1	W10242369

Marca	Whirlpool
Capacidad	30 pies
Color	Acero Inoxidable

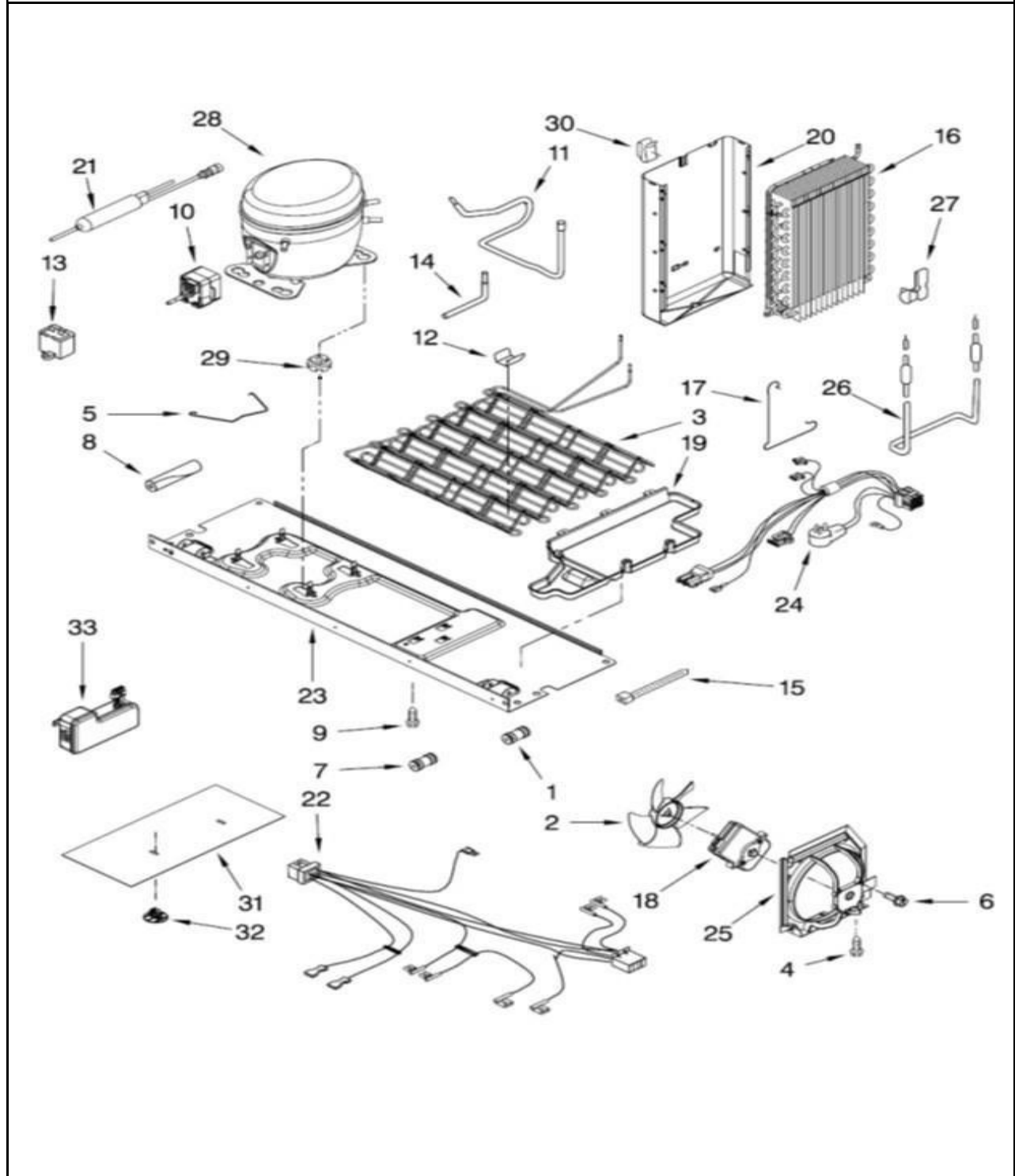
Dispensador



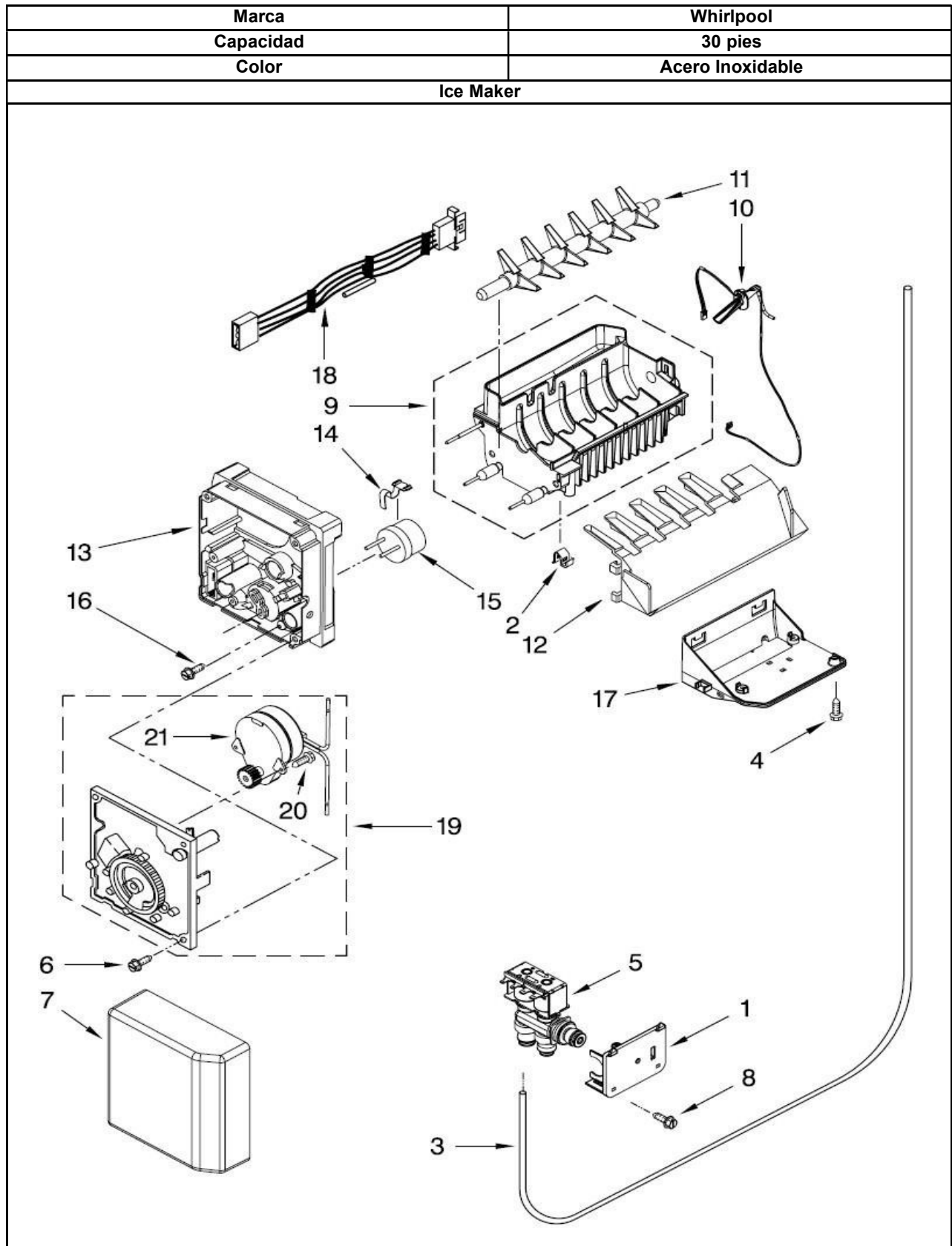
Marca		Whirlpool	
Capacidad		30 pies	
Color		Acero Inoxidable	
Dispensador			
R e f	Descripción	C a n t	Numero de Parte
1	Housing, Dispenser	*	*****
2	Grate, Drip Tray	1	W10276209
3	Bracket, Ice Door	1	W10174827
4	Chute, Door	1	W10339578
5	Motor, Ice Door	1	W10205978
6	Ice Door Assy (Includes Items 3, 5, 7, & 8)	1	W10353566
7	Support, Ice Door	1	W10346124
8	Screw	*	*****
9	Trim Ring	1	W10254252
10	Spigot	1	2305235
11	Electronic Control Assy	1	W10404394
12	Pad, Ice & Water	2	W10370582
13	Tray, Housing	1	W10276225

Marca	Whirlpool
Capacidad	30 pies
Color	Acero Inoxidable

Unit Parts



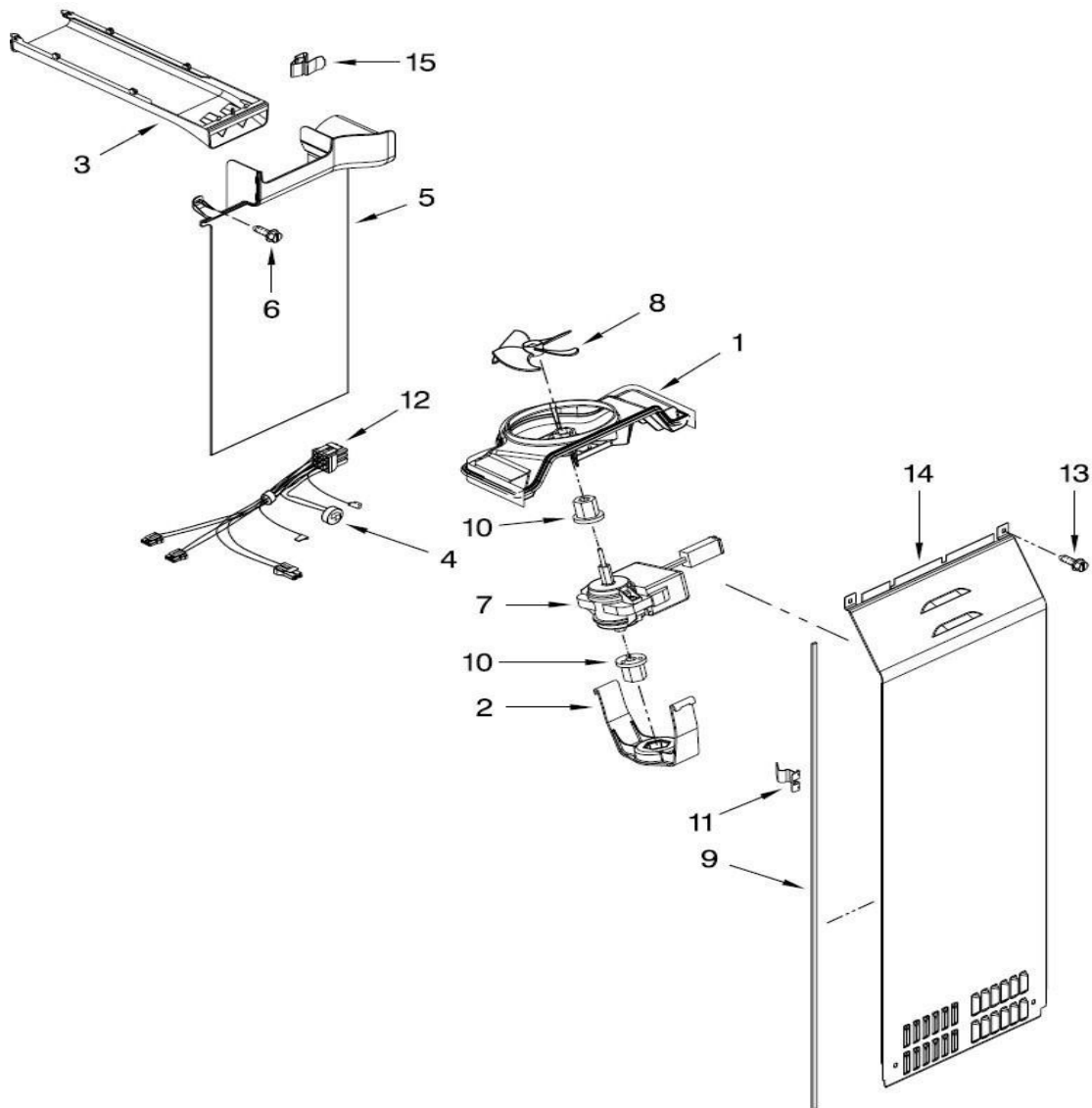
Marca		Whirlpool	
Capacidad		30 pies	
Color		Acero Inoxidable	
Unit Parts			
R e f	Descripción	C a n t	Numero de Parte
1	Connector, 5/16	1	W10271541
2	Fan, Blade	1	12825802
3	Condenser Assy	1	W10276899
4	Screw	*	*****
5	Clip	1	W10204187
6	Screw	*	*****
7	Connector, 1/4	1	W10277958
8	Sleeve	2	W10303521
9	Screw	*	*****
10	Start Device Combination Relay & Overload	1	W10189190
11	Tube Suction	1	W10219381
12	Clip Condenser	2	W10248621
13	Capacitor	1	2264017
14	Process Tube	1	2325479
15	Strap	1	2205813
16	Evaporator	1	W10239732
17	Clamp	2	2161324
18	Fan, Motor	1	2188874
19	Tray, Evaporator	1	W10238584
20	Heat Shield	1	W10223361
21	Drier	1	W10177049
22	Harness, Wiring Water Valve/Diode	1	W10209479
23	Support Plate, Compressor	1	W10277704
24	Power Cord	1	2310234
25	Air Baffle	1	W10251467
26	Heater, Defrost	1	W10239728
27	Clip	2	2304287
28	Compressor (Includes 10, 13, 21, & 29)	1	W10398455
29	Grommet	4	10835903
30	Clip, Heat Shield	1	2155547
31	Unit Cover, Bottom	1	W10278140
32	Clip	2	W10296661
33	LED Power Supply	1	W10356137



Marca		Whirlpool	
Capacidad		30 pies	
Color		Acero Inoxidable	
Ice Maker			
R e f	Descripción	C a n t	Numero de Parte
1	Bracket, Valve	1	W10237915
2	Clip, Fuse	*	*****
3	Water Tube	1	W10238092
4	Screw	*	*****
5	Filter Valve Asm	1	W10341320
6	Screw	*	*****
7	Cover	1	W10251088
8	Screw	*	*****
9	Mold & Heater Assembly	1	W10251081
10	Fill Tube Assy	1	W10348890
11	Ejector	1	W10318644
12	Ice Striper	1	W10251078
13	Support	1	2194712
14	Retainer, Thermostat	2	2315522
15	Thermostat	1	2321258
16	Screw	*	*****
17	Bracket, Mounting	1	W10251080
18	Harness, Wiring	1	W10242365
19	Module Assembly	1	626681
20	Screw	*	*****
21	Motor	1	626683
100	Complete Icemaker Assembly	1	W10122576

Marca	Whirlpool
Capacidad	30 pies
Color	Acero Inoxidable

Air Flow



Marca		Whirlpool	
Capacidad		30 pies	
Color		Acero Inoxidable	
Air Flow			
R e f	Descripción	C a n t	Numero de Parte
1	Fan Scroll	1	W10251462
2	Retainer, Fan Motor	1	W10260421
3	Air Duct, Upper	1	W10251478
4	Bi-Metal, Defrost	1	W10260437
5	Air Duct Freezer	1	W10260384
6	Screw	*	*****
7	Fan Motor	1	2315549
8	Fan Blade	1	2169142
9	Gasket, Evaporator Cover	2	W10240370
10	Fan Grommet	2	2176759
11	Clip, Mounting	4	W10274578
12	Harness, Fan Evaporator	1	W10242409
13	Screw, Evap Cover	*	*****
14	Cover, Evaporator	1	W10388269
15	Clip, Air Duct	2	W10331728