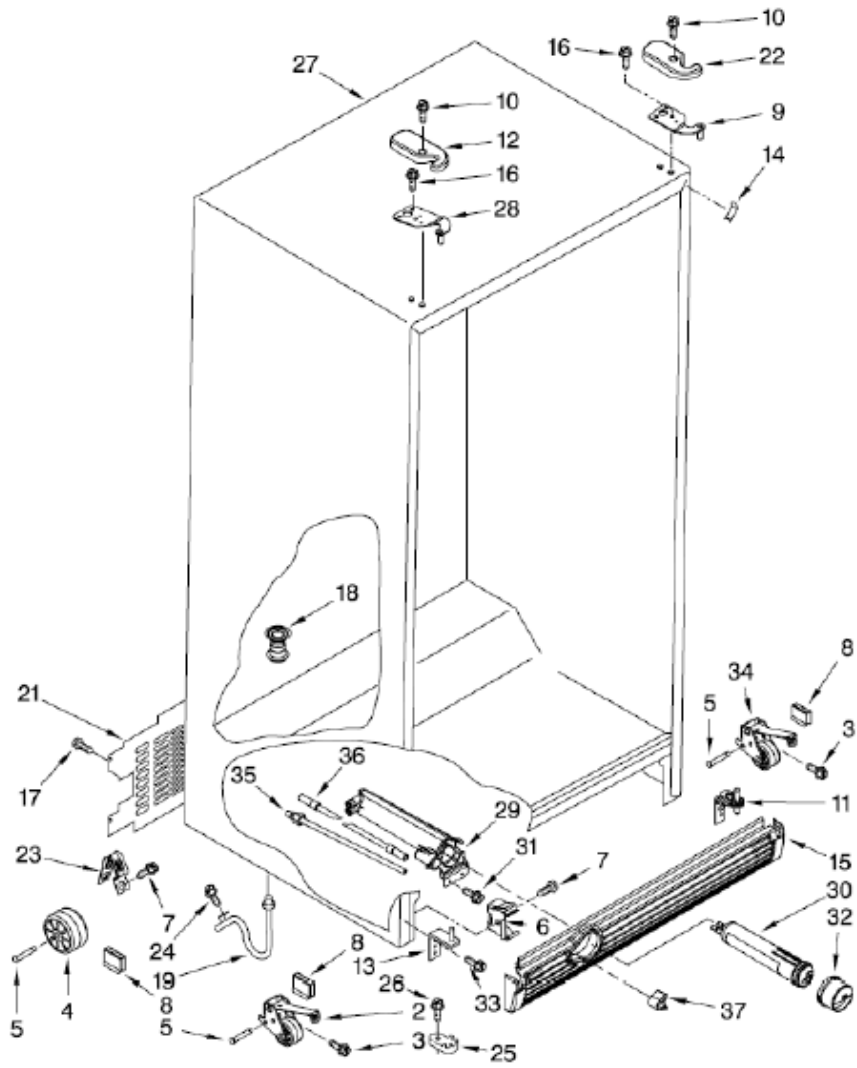


**WD5003D00 GABINETE**



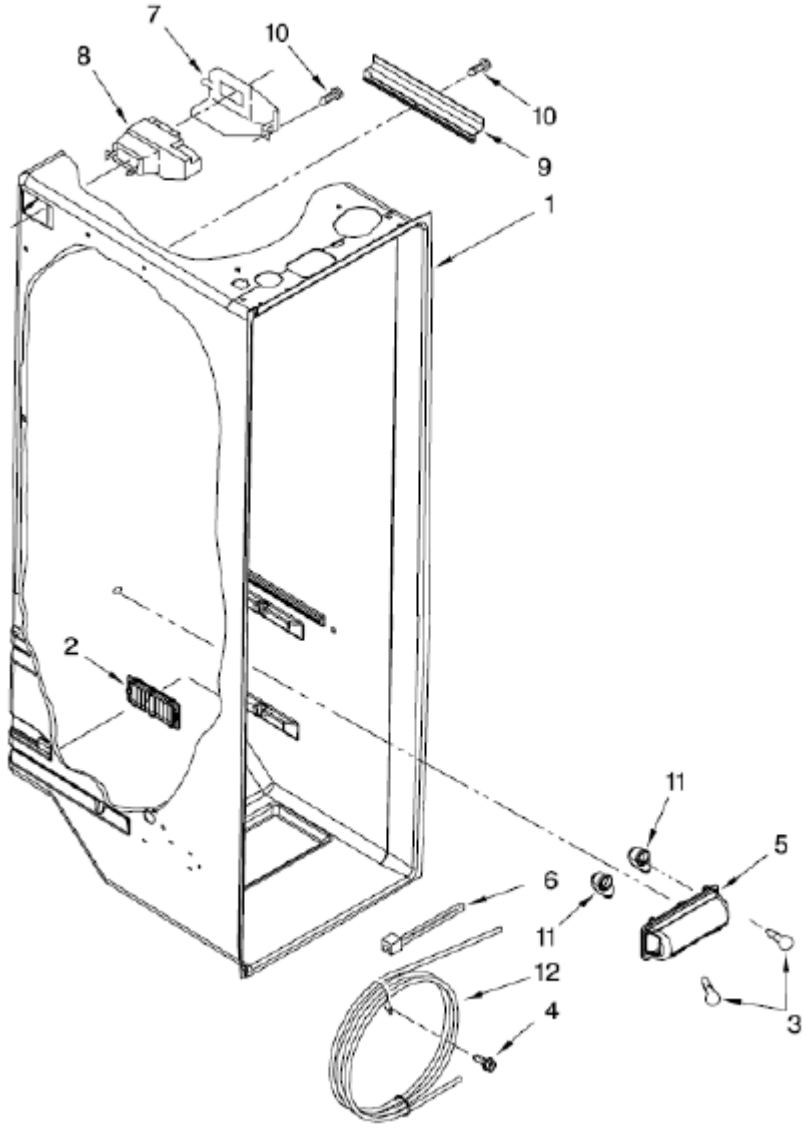


## WD5003D00 GABINETE

|    |           |                                |
|----|-----------|--------------------------------|
| 1  | ****      | LITERATURE PARTS               |
| 2  | W10327666 | FRONT ROLLER, LEFT             |
| 3  | ****      | SCREW                          |
| 4  | W10475495 | ROLER, REAR                    |
| 5  | 2262072   | AXLE, ROLLER                   |
| 6  | 2155013   | CLIP, GRILLE                   |
| 7  | ****      | SCREW                          |
| 8  | 2174706   | CLIP, AXLE                     |
| 9  | W10287684 | HINGE TOP RC                   |
| 10 | ****      | SCREW                          |
| 11 | W10400807 | HINGE BOTTOM RC                |
| 12 | 2203407B  | HINGE COVER FC BLACK           |
| 13 | W10251408 | HINGE BOTTOM FC                |
| 14 | W10283960 | FILLER, WRAPPER BLACK          |
| 15 | W10283949 | GRILLE BLACK                   |
| 16 | ****      | SCREW                          |
| 17 | ****      | SCREW                          |
| 18 | 2304888   | DRAIN FITTING                  |
| 19 | W10153550 | EXTENSION TUBE                 |
| 21 | 2188741   | COVER, UNIT                    |
| 22 | 2203408B  | HINGE COVER RC BLACK           |
| 23 | ****      | CLAMP, SERVICE CORD            |
| 24 | ****      | SCREW                          |
| 25 | W10329686 | DOOR CLOSER, LOWER CAM RC      |
| 25 | W10140528 | DOOR CLOSER, LOWER CAM FC      |
| 27 | ****      | CABINET (PARTE NO SERVICIABLE) |
| 28 | W10287685 | HINGE TOP, FC                  |
| 29 | W10121138 | HOUSING, WATER FILTER          |
| 30 | 4396841   | WATER FILTER                   |
| 31 | ****      | SCREW                          |
| 32 | 2260502B  | CAP, WATER FILTER BLACK        |
| 33 | ****      | SCREW                          |
| 34 | W10327665 | FRONT ROLLER, RIGHT            |

|    |           |                     |
|----|-----------|---------------------|
| 35 | 2255012   | TUBE, FILTER OUTLET |
| 36 | W10281289 | TUBE, FILTER INLET  |
| 37 | 2260503B  | BUTTON, FILTER      |

**WD5003D00 LINER REFRIGERADOR**

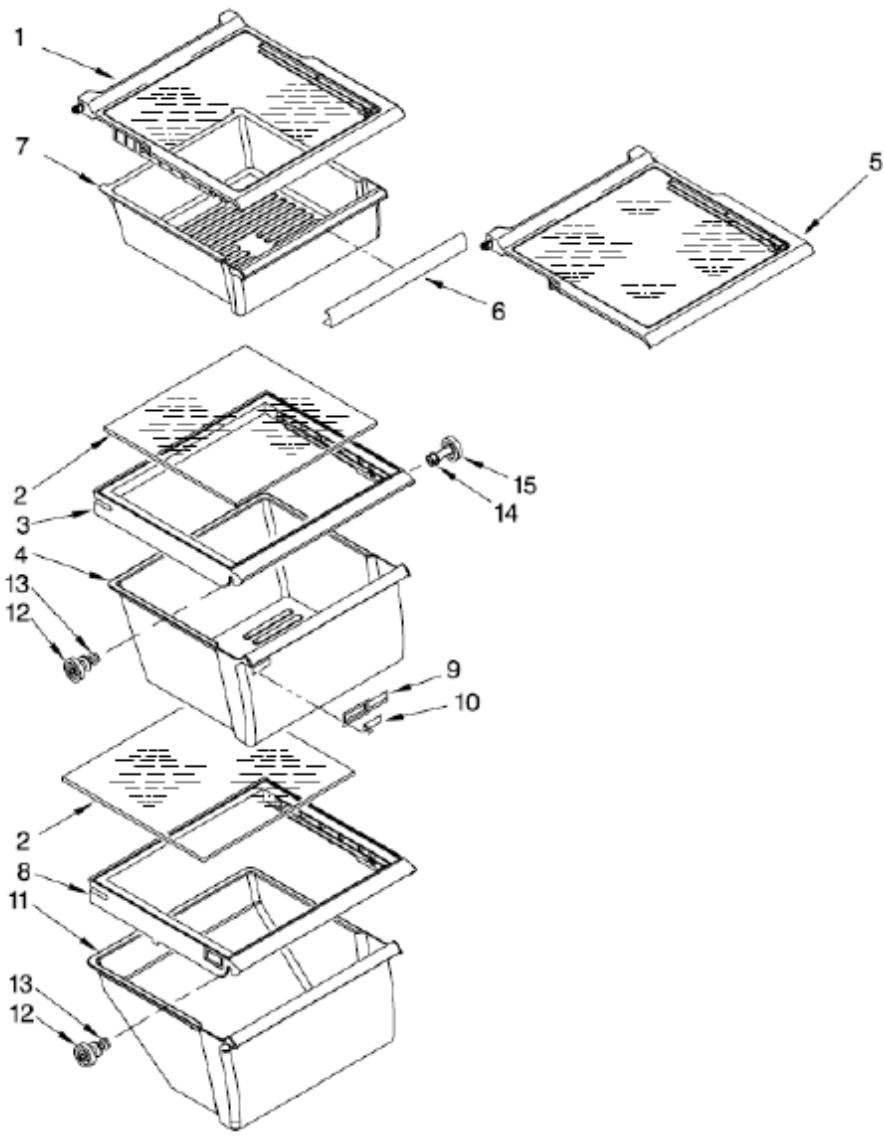




**WD5003D00 LINER REFRIGERADOR**

|    |           |                       |
|----|-----------|-----------------------|
| 1  | ****      | LINER                 |
| 2  | 2257741   | LOUVER                |
| 3  | 527949    | LIGHT BULB            |
| 4  | ****      | SCREW                 |
| 5  | W10166019 | LIGHT LENS            |
| 6  | ****      | STRAP DUAL CRISPER    |
| 7  | 2152019   | AIR DIFFUSER COVER    |
| 8  | W10151374 | AIR DIFFUSER ASSEMBLY |
| 9  | W10252495 | COVER, CONDUIT        |
| 10 | ****      | SCREW                 |
| 11 | 2162085   | SOCKET                |
| 12 | W10276792 | RESERVOIR             |

**WD5003D00 PARRILLAS**

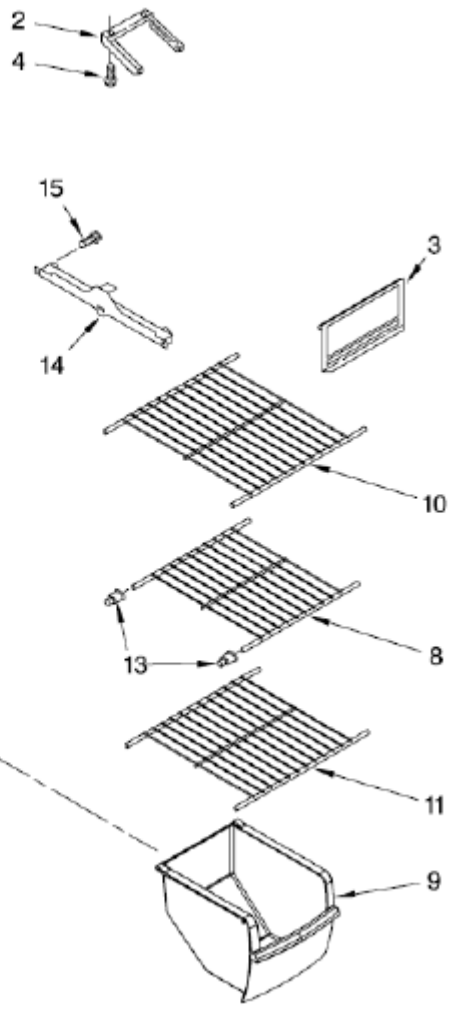
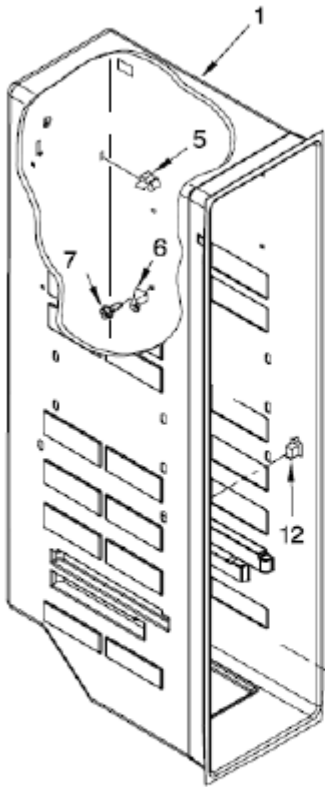




**WD5003D00 PARRILLAS**

|     |           |                            |
|-----|-----------|----------------------------|
| 1   | W10276341 | SHELF ASSEMBLY, SPILLGUARD |
| 2   | 2179259   | GLASS COVER                |
| 3   | 2209698   | COVER, CRISPER             |
| 4   | 2188652   | CRISPER PAN                |
| 4A  | 2255593   | TRIM, HANDLE               |
| 5   | W10276348 | SHELF ASSEMBLY, SPILLGUARD |
| 6   | 2309519   | TRIM, HANDLE               |
| 7   | 2309518   | SNACK PAN                  |
| 8   | 2209698   | COVER, MEAT PAN            |
| 9   | 2179343   | HOUSING, HUMIDITY CONTROL  |
| 10  | 2179342   | SLIDE, HUMIDITY CONTROL    |
| 11  | 2188654   | MEAT PAN                   |
| 11A | 2179234   | TRIM, HANDLE               |
| 12  | W10173126 | STUD ASSEMBLY              |
| 13  | ****      | SCREW                      |
| 14  | W10173127 | STUD ASSEMBLY              |
| 15  | ****      | SCREW                      |

**WD5003D00 LINER CONGELADOR**



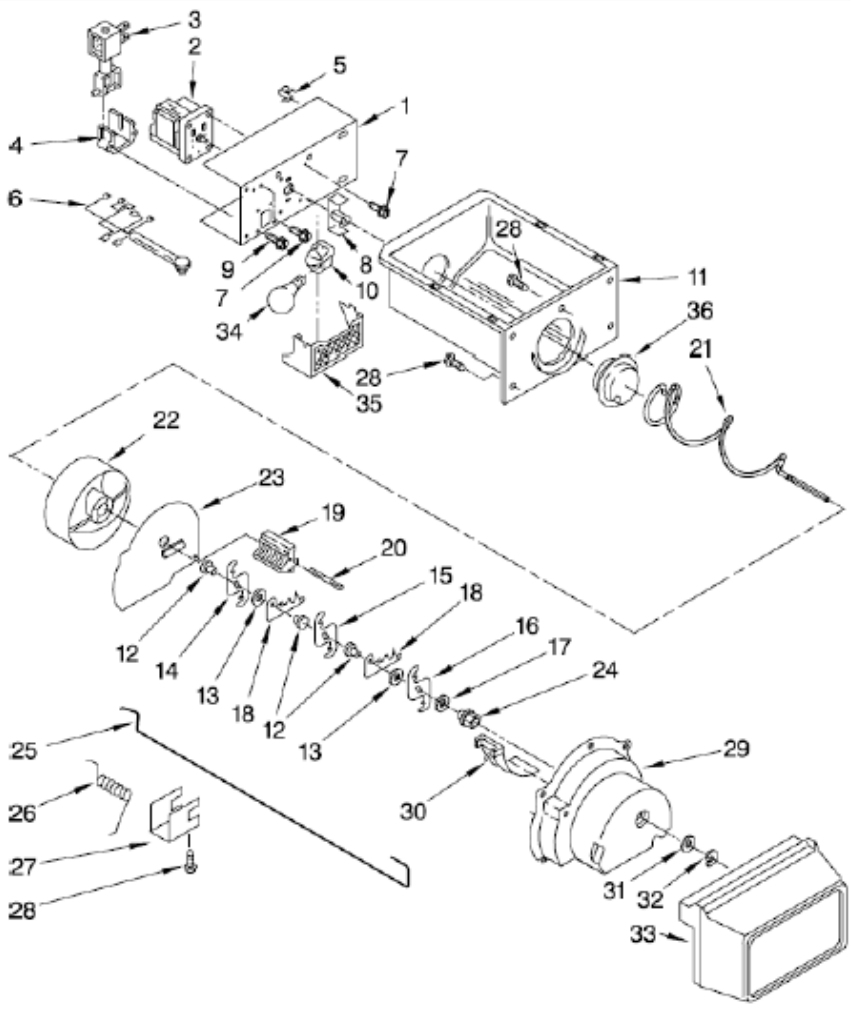




## WD5003D00 LINER CONGELADOR

|    |           |                             |
|----|-----------|-----------------------------|
| 1  | ****      | LINER                       |
| 2  | ****      | SLIDE, ICE DOOR R.S.        |
| 3  | 2171713   | DOOR, ICE COMPARTMENT       |
| 4  | ****      | SCREW                       |
| 5  | 2315163   | CLIP, AIR DUCT              |
| 6  | 2196206   | SUPPORT, STUD               |
| 7  | ****      | SCREW                       |
| 8  | W10318946 | SHELF, WIRE                 |
| 9  | 2309757   | FREEZER BIN                 |
| 10 | W10318947 | SHELF, WIRE                 |
| 11 | W10318948 | SHELF, WIRE                 |
| 12 | 1115373   | SWITCH, ROCKER ARM          |
| 13 | W10130299 | CUP, SHELF MOUNT            |
| 14 | 1119237   | SLIDE, CONTAINER LEFT SIDE  |
| 14 | 1119293   | SLIDE, CONTAINER RIGHT SIDE |
| 15 | ****      | SCREW                       |

**WD5003D00 COMPARTIMENTO DE HIELOS**



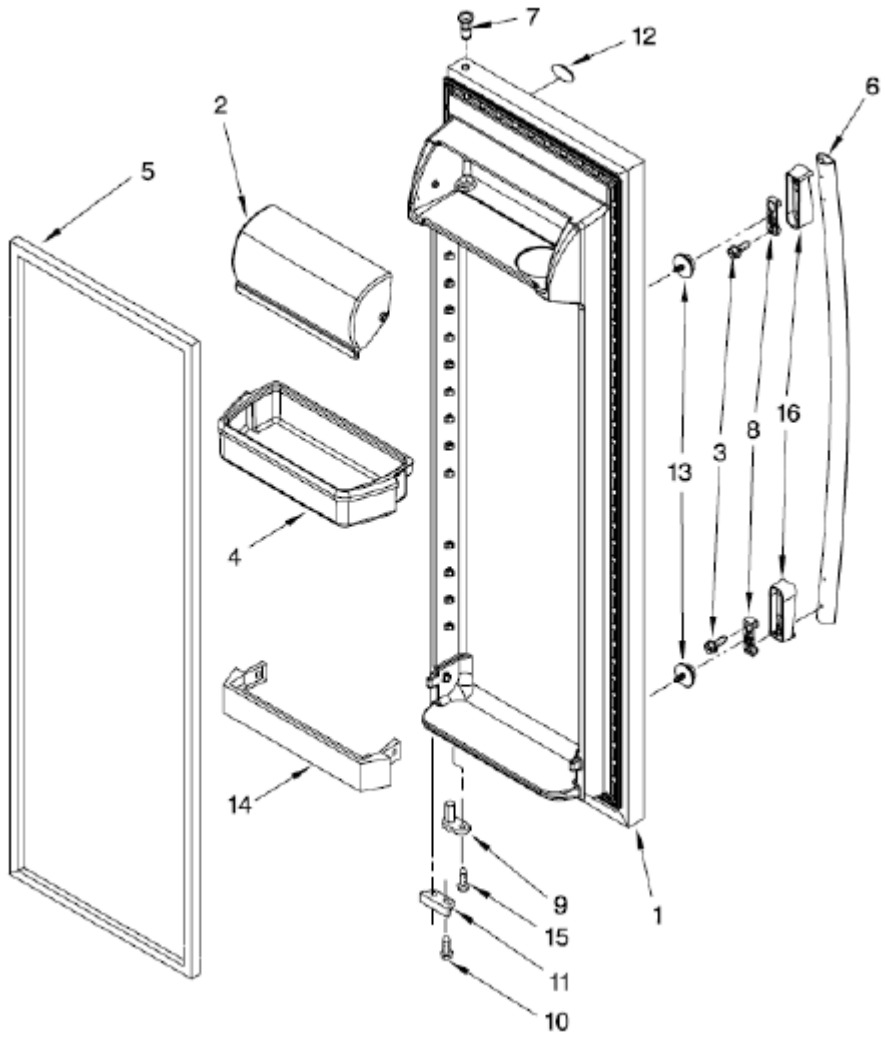


## WD5003D00 COMPARTIMIENTO DE HIELOS

|    |           |                                |
|----|-----------|--------------------------------|
| 1  | W10304376 | BRACKET, MOTOR                 |
| 2  | W10317991 | MOTOR, DISPENSER               |
| 3  | 2152713   | SOLENOID ASSEMBLY              |
| 4  | 2149101   | GUIDE, SOLENOID                |
| 5  | 1115374   | CLIP, WIRING                   |
| 6  | W10281336 | WIRING ASSEMBLY, ICE DISPENSER |
| 7  | ****      | SCREW                          |
| 8  | W10169511 | COUPLING, MOTOR                |
| 9  | ****      | SCREW                          |
| 10 | 2162085   | SOCKET LIGHT                   |
| 11 | 2196091   | ICE CONTAINER                  |
| 12 | 1119005   | SPACER, STEP                   |
| 13 | 1119007   | SPACER, FLAT                   |
| 14 | W10278731 | BLADE, ROTARY A                |
| 15 | W10278732 | BLADE, ROTARY B                |
| 16 | W10278733 | BLADE, ROTARY C                |
| 17 | 489235    | WASHER PLAIN                   |
| 18 | W10278727 | BLADE, FIXED                   |
| 19 | 2157405   | BLOCK, BLADE                   |
| 20 | 489229    | ROLL PIN                       |
| 21 | W10295082 | AUGER                          |
| 22 | 2305377   | DRUM                           |
| 23 | 2171682   | FLOATING BAFFLE                |
| 24 | 1119018   | NUT, BEARING                   |
| 25 | 2155231   | CONTROL ARM                    |
| 26 | 1119020   | SPRING, RETURN                 |
| 27 | 1119021   | RETAINER CLIP, ROD             |
| 28 | ****      | SCREW                          |
| 29 | 2180348   | HOUSING, CRUSHER               |
| 30 | 1119017   | DEFLECTOR ICE                  |
| 31 | 489234    | WASHER, PLAIN                  |
| 32 | 489236    | RETAINER RING                  |
| 33 | W10457397 | FRONT COVER, ICE CONTAINER     |

|     |           |                        |
|-----|-----------|------------------------|
| 34  | 527949    | LIGHT BULB             |
| 35  | 2171706   | LIGHT LENS, DISPENSER  |
| 36  | 983668    | COUPLING, AUGER        |
| 100 | W10312300 | ICE CONTAINER COMPLETE |

**WD5003D00 PUERTA REFRIGERADOR**

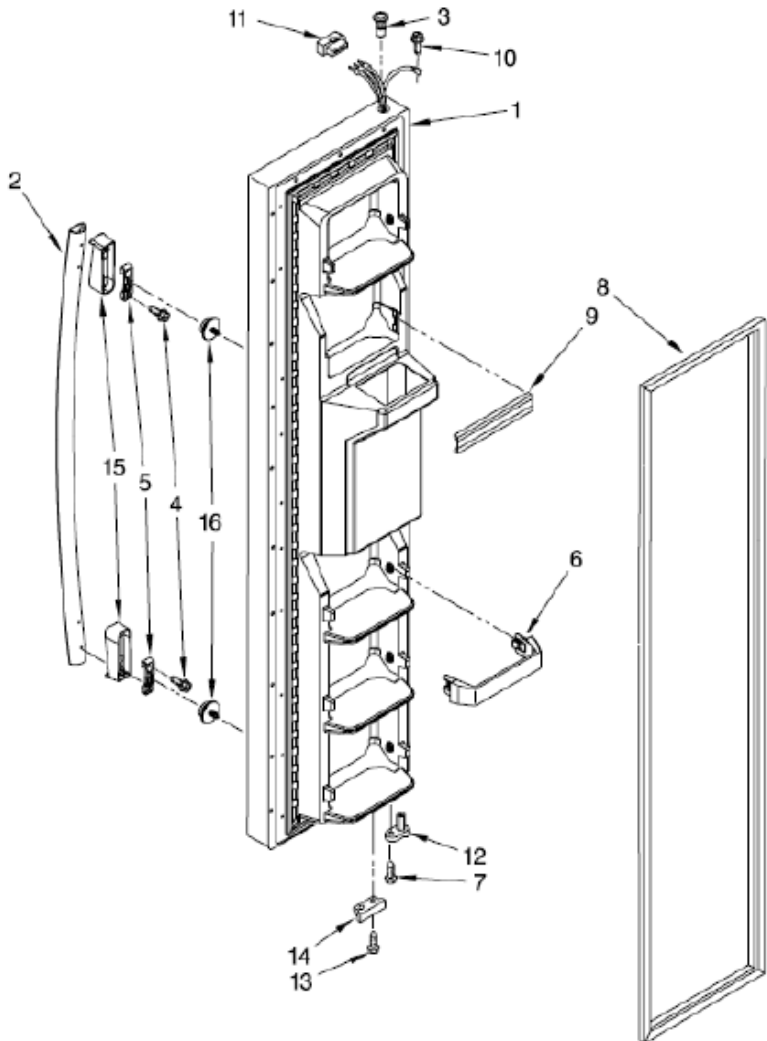




## WD5003D00 PUERTA REFRIGERADOR

|    |           |                    |
|----|-----------|--------------------|
| 1  | W10415822 | REFRIGERATOR DOOR  |
| 2  | 2256101   | DOOR COMPARTMENT   |
| 3  | ****      | SCREW              |
| 4  | 2203828   | DOOR BIN           |
| 5  | 2309529   | DOOR GASKET        |
| 6  | W10127766 | HANDLE             |
| 7  | 2182178   | THIMBLE-TOP        |
| 8  | 2255411   | CLIP               |
| 9  | W10329686 | DOOR CLOSER        |
| 10 | ****      | SCREW              |
| 11 | W10219812 | BRACKET, DOOR STOP |
| 12 | W10393264 | NAMEPLATE          |
| 13 | ****      | SCREW              |
| 14 | 2309941   | TRIVET             |
| 15 | ****      | SCREW              |
| 16 | W10127770 | ENDCAP             |

**WD5003D00 PUERTA CONGELADOR**



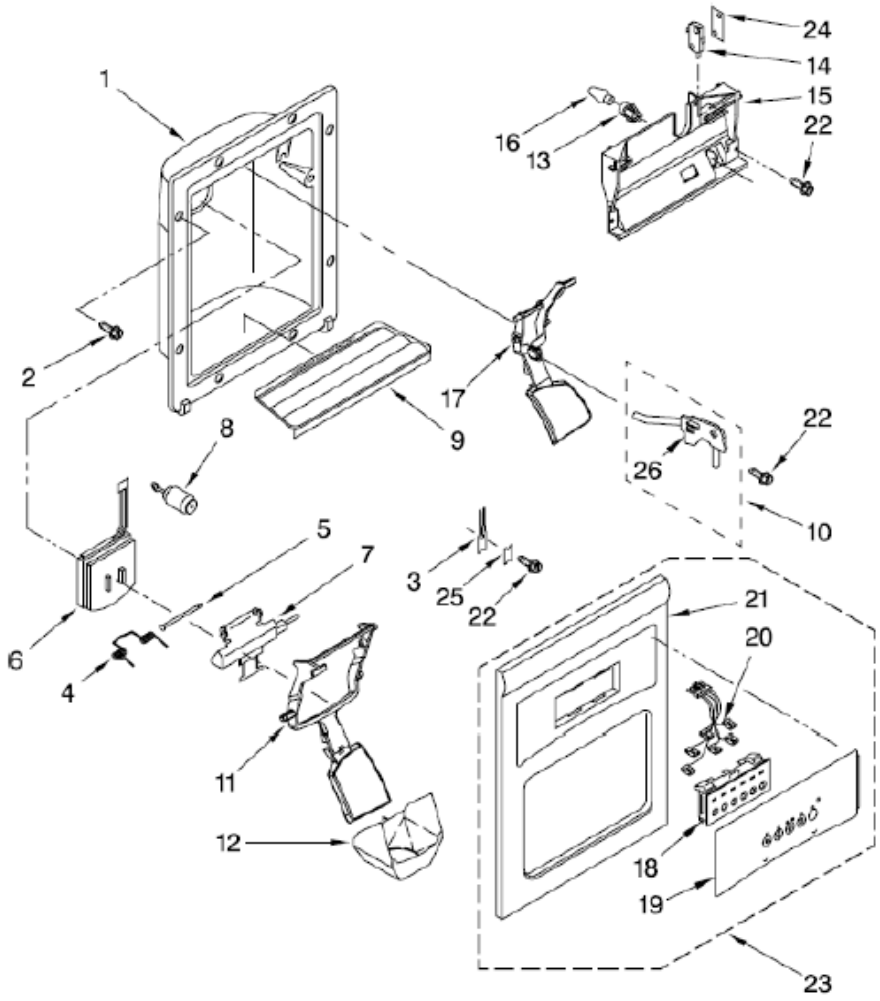


## WD5003D00 PUERTA CONGELADOR

|    |           |   |
|----|-----------|---|
| 1  | W10415824 | FREEZER DOOR (INCLUYE #8 & DISPENSADOR) |
| 2  | W10127766 | HANDLE, CENTER BLACK                    |
| 3  | 2182181   | THIMBLE-TOP                             |
| 4  | ****      | SCREW                                   |
| 5  | 2255411   | CLIP                                    |
| 6  | 2309718   | TRIM, DOOR                              |
| 7  | ****      | SCREW                                   |
| 8  | 2309533   | DOOR GASKET, MAGNETIC                   |
| 9  | W10307490 | TRIM, DOOR SHELF                        |
| 10 | ****      | SCREW                                   |
| 11 | 2154473   | CONNECTOR                               |
| 12 | 2182179   | DOOR CLOSER, UPPER CAM                  |
| 13 | ****      | SCREW                                   |
| 14 | W10185567 | BRACKET, DOOR STOP                      |
| 15 | W10127770 | ENDCAP                                  |
| 16 | ****      | SCREW                                   |



**WD5003D00 DISPENSADOR**





## WD5003D00 DISPENSADOR

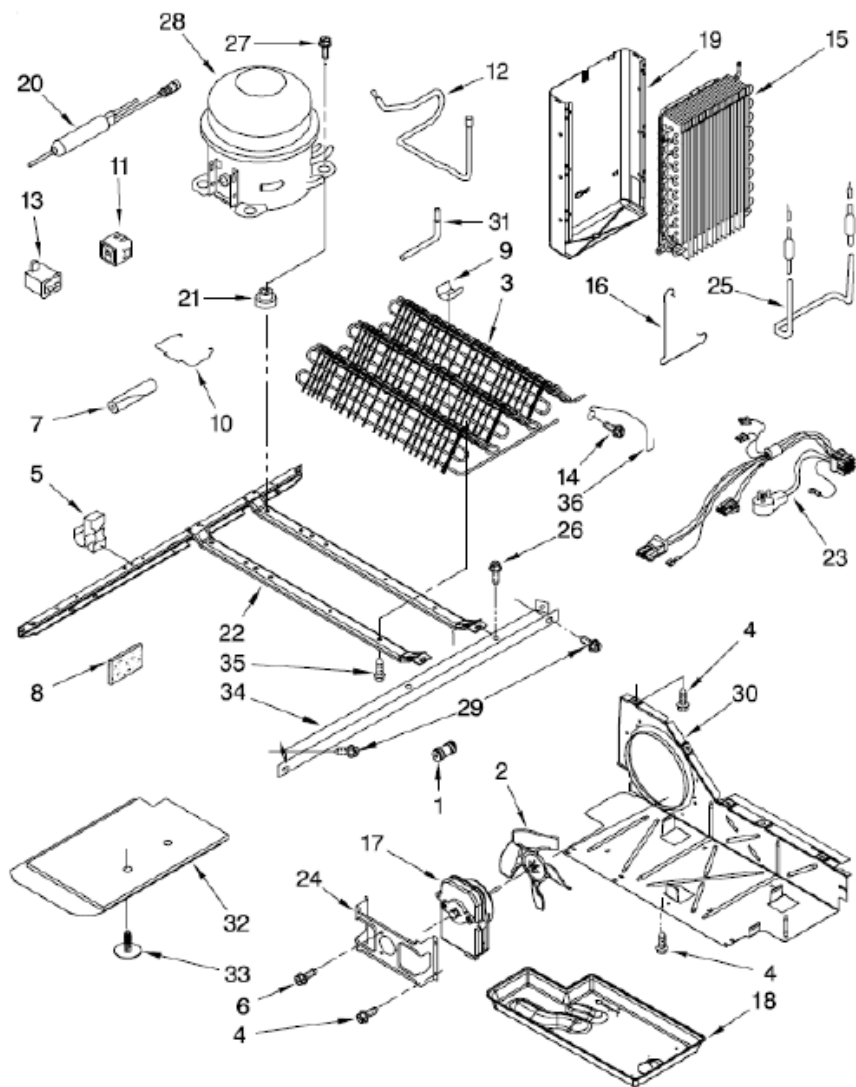
|    |           |  |
|----|-----------|--|
| 1  | ****      | HOUSING, DISPENSER (NO SERVICIABLE)            |
| 2  | ****      | SCREW  |
| 3  | 2194719   | RETAINER, LEVERS                               |
| 4  | 2304772   | SPRING, TORSION                                |
| 5  | 2196195   | PIN  |
| 6  | 2180353   | DOOR, ICE                                      |
| 7  | 2304355   | DOOR MECHANISM ASSEMBLY                        |
| 8  | W10467899 | MECHANISM DELAY                                |
| 9  | 2206670B  | GRILLE, OVER                                   |
| 10 | 2304317   | WATER FITTING                                  |
| 11 | W10152854 | LEVER , ICE DISPENSER                          |
| 12 | 2180224   | GUIDE ICE                                      |
| 13 | 2180200   | LAMP HOLDER                                    |
| 14 | W10296750 | SWITCH   |
| 15 | W10282667 | BRACKET, CONTROL                               |
| 16 | 3406124   | BULB LIGHT                                     |
| 17 | W10152859 | LEVER, WATER DISPENSER                         |
| 18 | ****      | SWITCH ASSEMBLY (NO DISPONIBLE, ORDENAR #23)   |
| 19 | ****      | OVERLAY, FRONT COVER (NO DISPONIBLE, OR #23)   |
| 20 | ****      | WIRE ASSEMBLY (NO DISPONIBLE, ORDENAR #23)     |
| 21 | ****      | FRONT COVER HOUSING (NO DISPONIBLE, OR #23)    |
| 22 | ****      | SCREW  |
| 23 | 2311694B  | FRONT COVER ASSEMBLY (INCLUYE 18, 19, 20 & 21) |
| 24 | 625834    | SPACER SWITCH                                  |
| 25 | 2195051   | STRAIN RELIEF                                  |
| 26 | 2304673   | BRACKET, DISPENSER                             |

Distribuidor Autorizado

SurteRápido.com

Venta de Refacciones  
Electrodomesticas

## WD5003D00 SISTEMA SELLADO



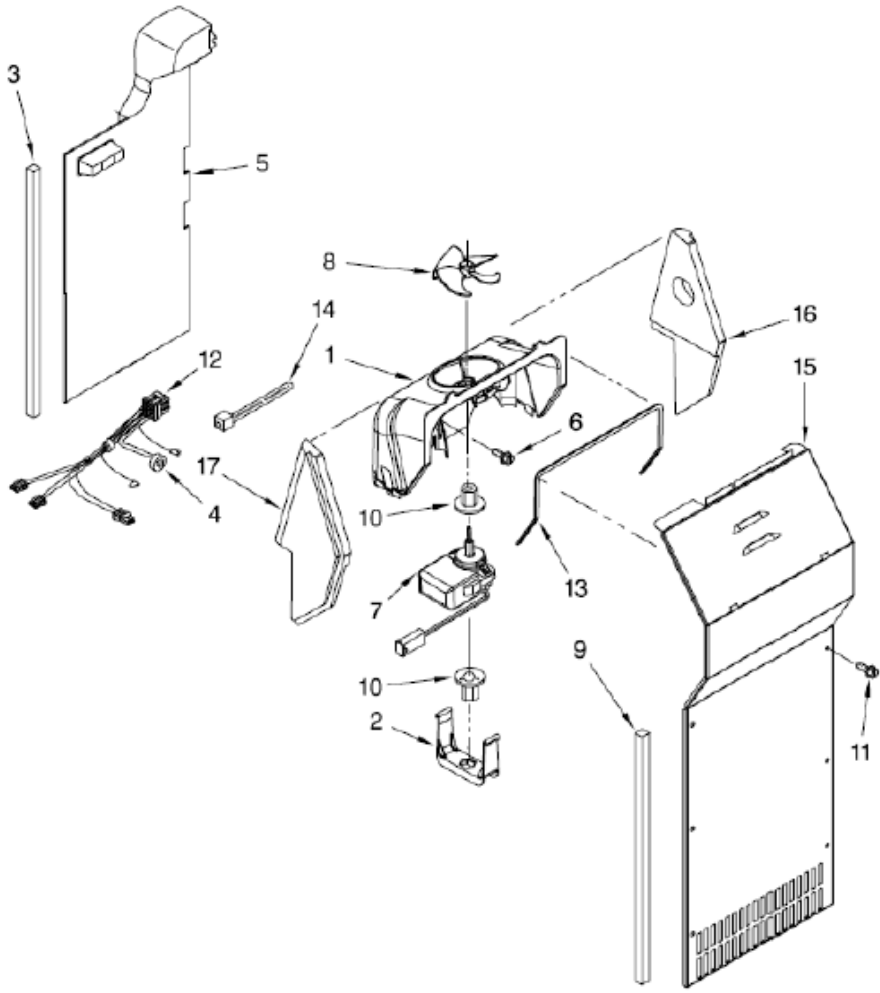


## WD5003D00 SISTEMA SELLADO

|    |           |                           |
|----|-----------|---------------------------|
| 1  | W10334458 | CONNNECTOR, WATER         |
| 2  | 12825802  | FAN, BLADE                |
| 3  | W10196260 | CONDENSER ASSEMBLY        |
| 4  | ****      | SCREW                     |
| 5  | 2208280   | CLIP, WIRE                |
| 6  | ****      | SCREW                     |
| 7  | 2161302   | SLEEVE                    |
| 8  | 2215468   | INSULATION, SOUND         |
| 9  | 2311725   | CLIP, CONDENSER           |
| 10 | W10174384 | CLIP, RETAINING           |
| 11 | W10189190 | START-DEVICE, COMBINATION |
| 12 | ****      | TUBE SUCTION              |
| 13 | 2264017   | CAPACITOR                 |
| 14 | ****      | SCREW                     |
| 15 | 2188823   | EVAPORATOR                |
| 16 | 2161324   | CLAMP                     |
| 17 | 2188874   | FAN, MOTOR                |
| 18 | 1105523   | TRAY, EVAPORATOR          |
| 19 | W10194475 | HEAT SHIELD               |
| 20 | W10177049 | DRIER                     |
| 21 | 2183042   | GROMMET                   |
| 22 | W10196321 | UNIT MOUNTING FRAME       |
| 23 | 2187605   | UNIT, HARNESS             |
| 24 | 2181929   | FAN, MOTOR BRACKET        |
| 25 | 2188175   | HEATER, DEFROST           |
| 26 | ****      | SCREW                     |
| 27 | ****      | SCREW                     |
| 28 | W10306337 | COMPRESSOR                |
| 29 | ****      | SCREW                     |
| 30 | W10332806 | AIR BAFFLE                |
| 31 | ****      | PROCESS TUBE              |
| 32 | W10466698 | UNIT COVER, BOTTOM        |
| 33 | 489396    | CLIP                      |

|    |           |                    |
|----|-----------|--------------------|
| 34 | W10196313 | UNIT MOUNTING RAIL |
| 35 | ****      | SCREW              |
| 36 | 2260517   | GUARD, FAN         |

**WD5003D00 SISTEMA DE AIRE**

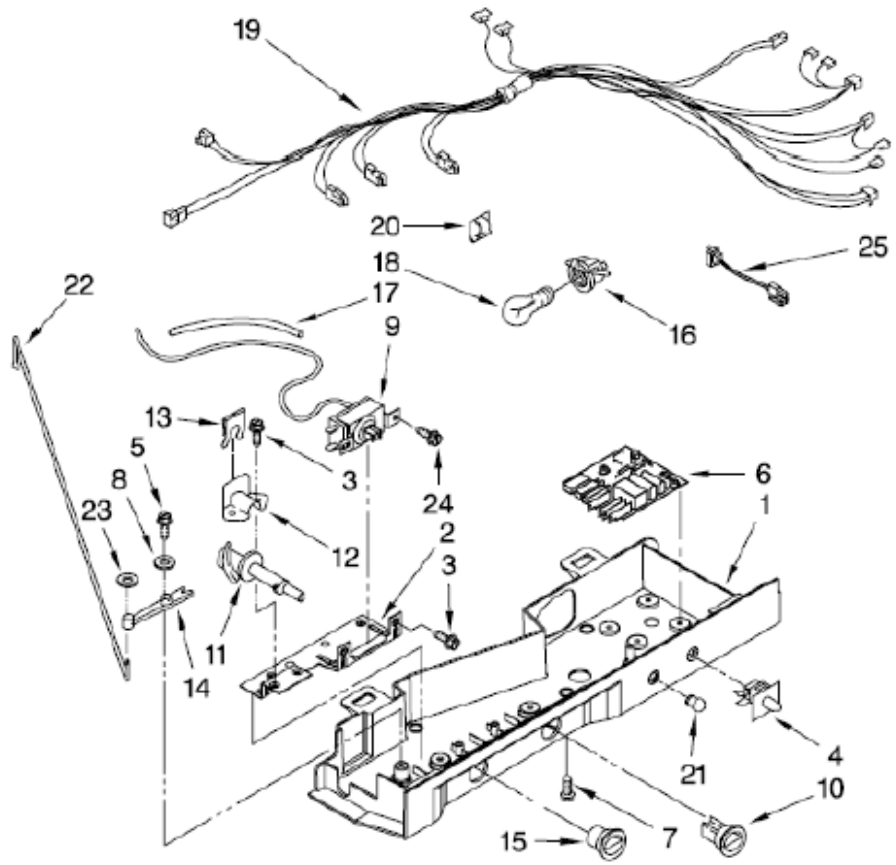




## WD5003D00 SISTEMA DE AIRE

|    |           |                                      |
|----|-----------|--------------------------------------|
| 1  | 2182120   | FAN SCROLL                           |
| 2  | 2155590   | RETAINER FAN MOTOR                   |
| 3  | W10252477 | GASKET                               |
| 4  | W10225581 | BI-METAL, DEFROST                    |
| 5  | W10166222 | AIR DUCT FREEZER                     |
| 6  | ****      | SCREW                                |
| 7  | W10312647 | FAN MOTOR                            |
| 8  | 2169142   | FAN BLADE                            |
| 9  | 2304241   | GASKET, EVAPORATOR COVER             |
| 10 | 2176759   | FAN GROMMET                          |
| 11 | ****      | SCREW                                |
| 12 | W10297482 | HARNESS, FAN EVAPORATOR (INCLUYE #4) |
| 13 | 2155789   | GASKET, FAN SCROLL                   |
| 14 | 2263990   | WIRE TIE                             |
| 15 | W10194476 | COVER, EVAPORATOR (INCLUYE #9)       |
| 16 | 2203595   | SUPPORT, R.S.                        |
| 17 | 2203596   | SUPPORT, L.S.                        |

**WD5003D00 CAJA CONTROL**





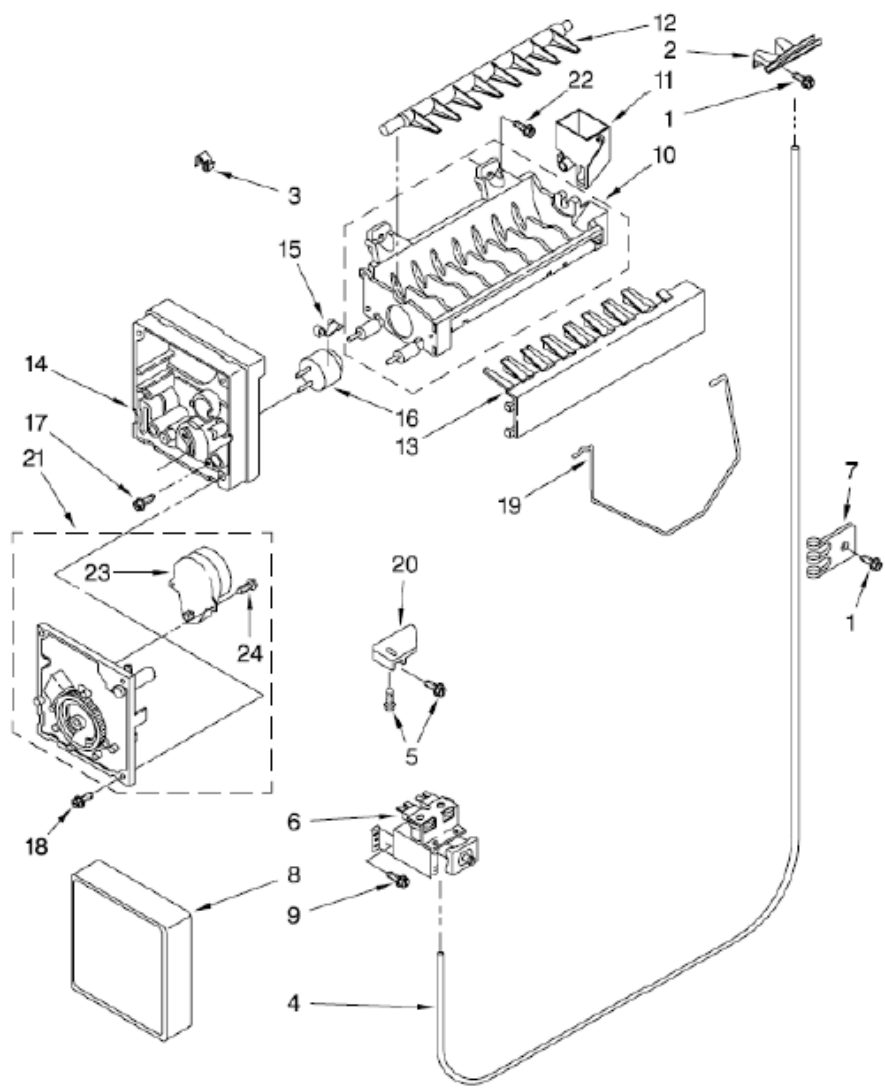


## WD5003D00 CAJA CONTROL

|    |           |                                 |
|----|-----------|---------------------------------|
| 1  | W10482525 | CONTROL BOX                     |
| 2  | 2311611   | MOUNTING BRACKET                |
| 3  | ****      | SCREW                           |
| 4  | 2219875   | LIGHT SWITCH                    |
| 5  | ****      | SCREW                           |
| 6  | W10366605 | CONTROL BOARD ASSEMBLY, DEFROST |
| 7  | ****      | SCREW                           |
| 8  | 489203    | SPRING WASHER                   |
| 9  | 2198202   | THERMOSTAT ASSEMBLY             |
| 10 | 2311614   | THERMOSTAT KNOB                 |
| 11 | 2182195   | CAM ASSEMBLY                    |
| 12 | 1110560   | BEARING BODY                    |
| 13 | 2196062   | CLIP, DAMPER CONTROL            |
| 14 | 1110559   | PIVOT ARM                       |
| 15 | 2311615   | KNOB, AIR CONTROL               |
| 16 | 2162085   | LIGHT SOCKET                    |
| 17 | 2196001   | THERMOSTAT, BARRIER             |
| 18 | 527949    | LIGHT BULB                      |
| 19 | W10354806 | CONTROL BOX, HARNESS            |
| 20 | 1115374   | CLIP, WIRING                    |
| 21 | 2200096   | COVER, LIGHT LENS               |
| 22 | 2311631   | CONNECTING ROD                  |
| 23 | 489285    | FASTENER, PUSH-ON               |
| 24 | ****      | SCREW                           |
| 25 | 2213462   | LED ASSEMBLY                    |



**WD5003D00 ICE MAKER**





## WD5003D00 ICE MAKER

|     |           |  |
|-----|-----------|--|
| 1   | ****      | SCREW  |
| 2   | 2209774   | CHUTE, WATER                                 |
| 3   | 628379    | CLIP, FUSE                                   |
| 4   | 2304316   | TUBE, WATER                                  |
| 5   | ****      | SCREW  |
| 6   | 2188708   | FILTER VALVE ASM                             |
| 7   | 2208280   | CLIP, TUBE                                   |
| 8   | W10289690 | COVER  |
| 9   | ****      | SCREW  |
| 10  | 628228    | MOLD & HEATER ASSEMBLY                       |
| 11  | W10435665 | CUP, WATER FILL                              |
| 12  | 627843    | EJECTOR                                      |
| 13  | W10122563 | ICE STRIPPER                                 |
| 14  | 2195914   | SUPPORT                                      |
| 15  | 2315522   | RETAINER THERMOSTAT                          |
| 16  | W10290336 | THERMOSTAT                                   |
| 17  | ****      | SCREW  |
| 18  | ****      | SCREW  |
| 19  | 2304354   | SHUT OFF ARM                                 |
| 20  | 628320    | BRACKET                                      |
| 21  | 626691    | MODULE ASSEMBLY (INCLUYE MATERIALES 23 & 24) |
| 22  | ****      | SCREW  |
| 23  | 626683    | MOTOR  |
| 24  | ****      | SCREW  |
| 100 | W10190969 | COMPLETE ICEMAKER ASSEMBLY                   |