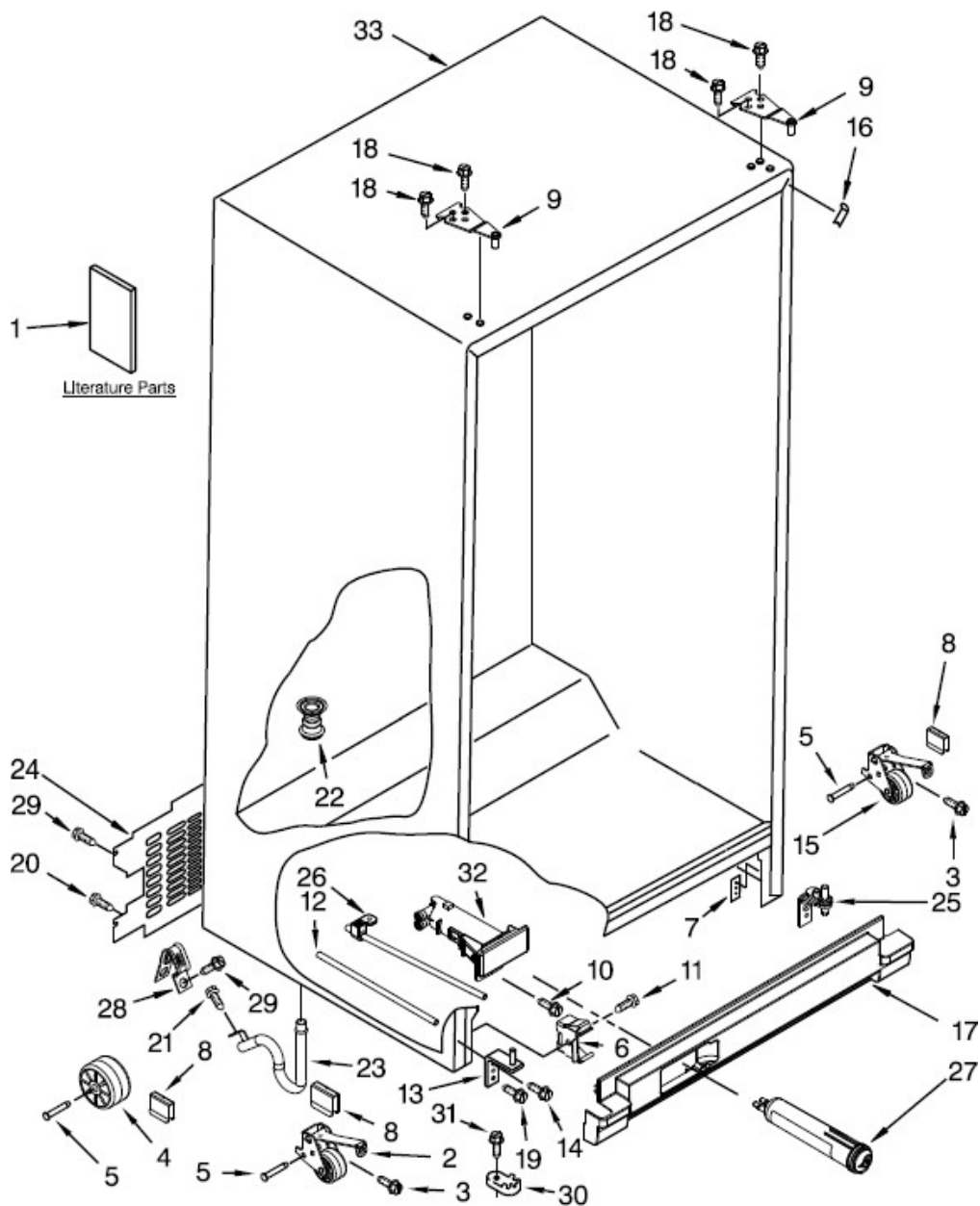


Distribuidor Autorizado

SurteRápido.com

Venta de Refacciones
Electrodomesticas

Refrigerador Whirlpool WD5104D00





Refrigerador Whirlpool WD5104D00

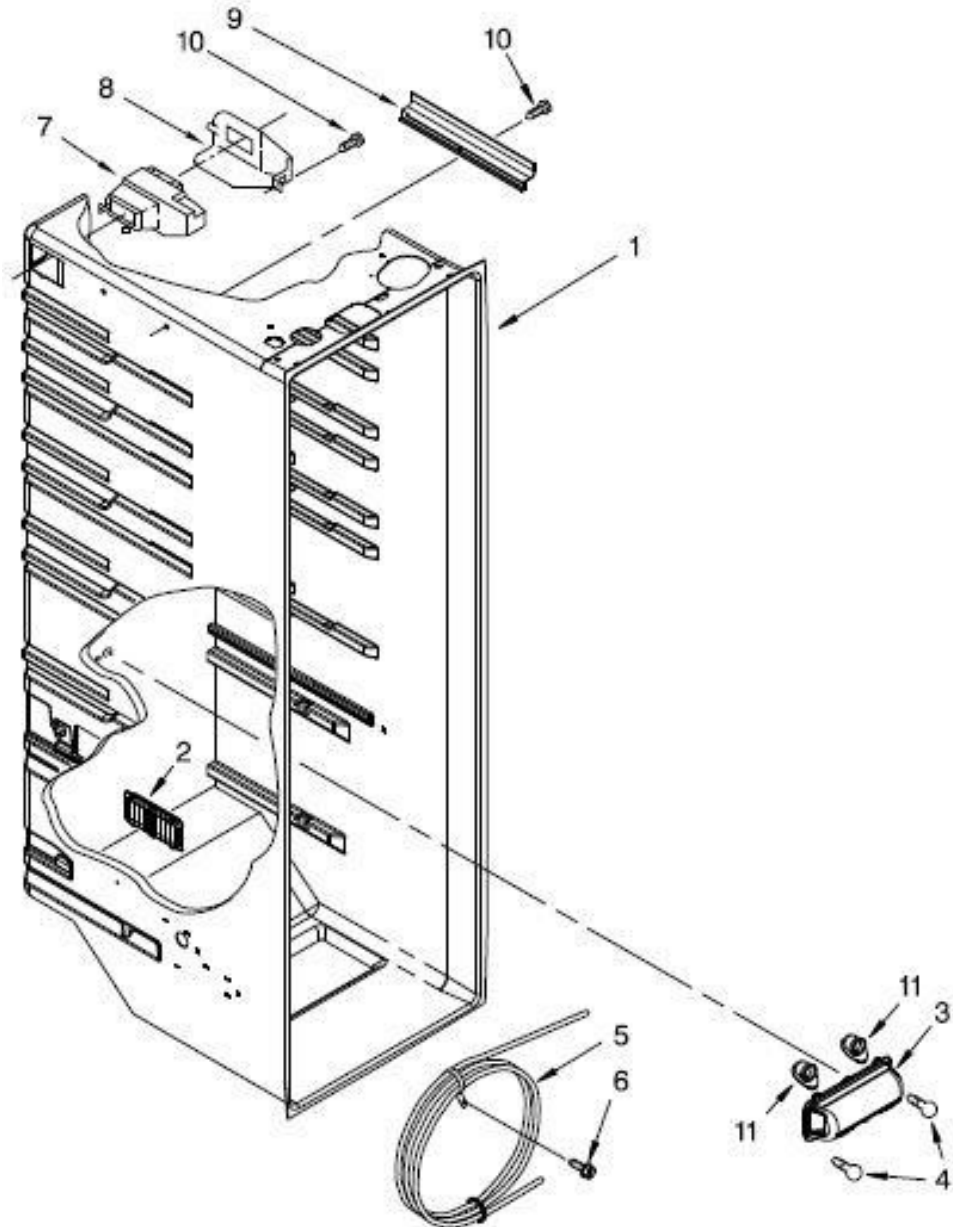
No. Ilus.	DESCRIPCIÓN	No. de Parte
1	Literature Parts	*****
2	Roller	W10304660
3	Screw	*****
4	Roller	W10475495
5	Axle, Roller	2262072
6	Clip, Grille	2155013
7	Plate, Screw	2304249
8	Clip, Roller	2174706
9	Top Hinge	W10398820
10	Screw	*****
11	Screw	*****
12	Tube, Filter Outlet	W10350006
13	Hinge, Bottom FC	W10414753
14	Screw	*****
15	Front Roller Right	W10304659
16	Filler, Wrapper	W10283960
17	Grille	W10348651
22	Drain Fitting	2304888
23	Extension, Drain Fitting	W10153550
24	Cover Unit	2220758
25	Hinge, Bottom RC	W10409481
26	Tube, Filter Inlet	W10350007
27	Water Filter, PUR	W10569758
28	Clamp, Power Cord	W10303628
29	Screw	*****
30	Door Closer, Freezer	2223751
31	Screw	*****
32	Housing, Water Filter	W10350063

Distribuidor Autorizado

SurteRápido.com

Venta de Refacciones
Electrodomesticas

Refrigerador Whirlpool WD5104D00





Refrigerador Whirlpool WD5104D00

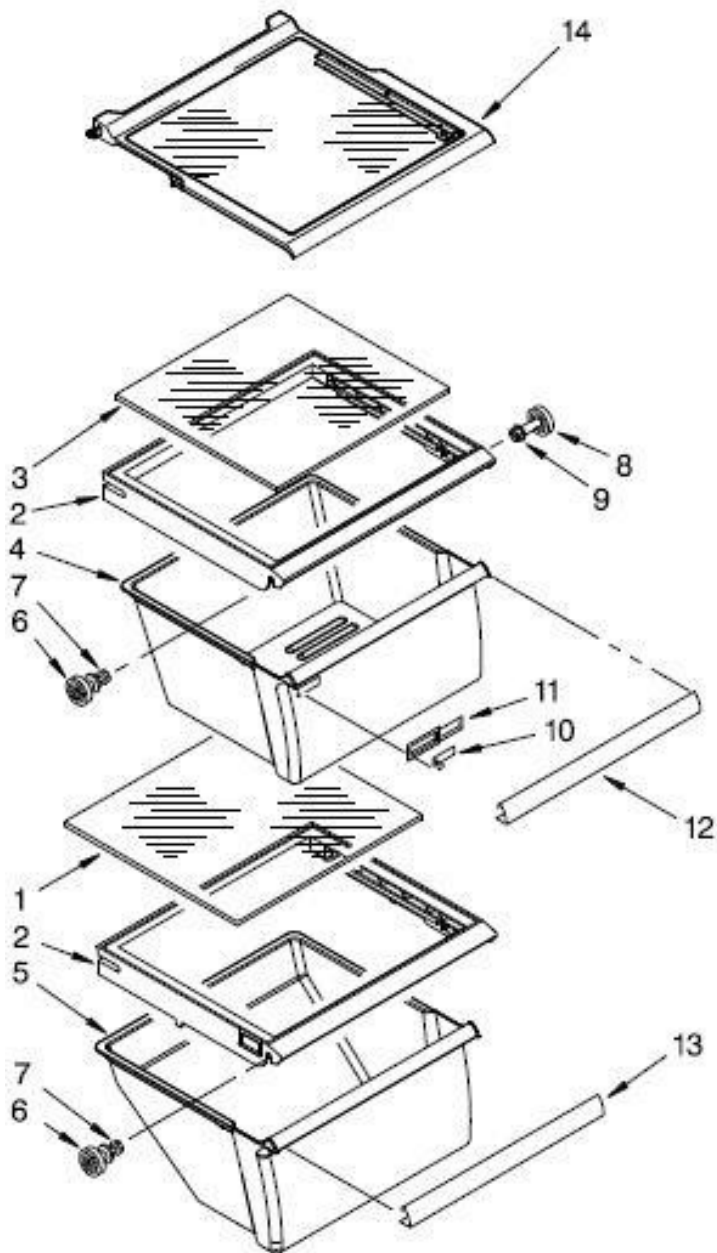
No. Ilus.	DESCRIPCIÓN	No. de Parte
1	Liner (No Servicable)	*****
2	Louver	W10550195
3	Light Lens	W10242623
4	Bulb, Light	W10311505
5	Reservoir	W10526445
6	Screw	*****
7	Air Diffuser Assembly	W10151372
8	Cover, Air Diffuser	2212240
9	Cover, Wiring	2150331
10	Screw	*****

Distribuidor Autorizado

SurteRápido.com

Venta de Refacciones
Electrodomesticas

Refrigerador Whirlpool WD5104D00

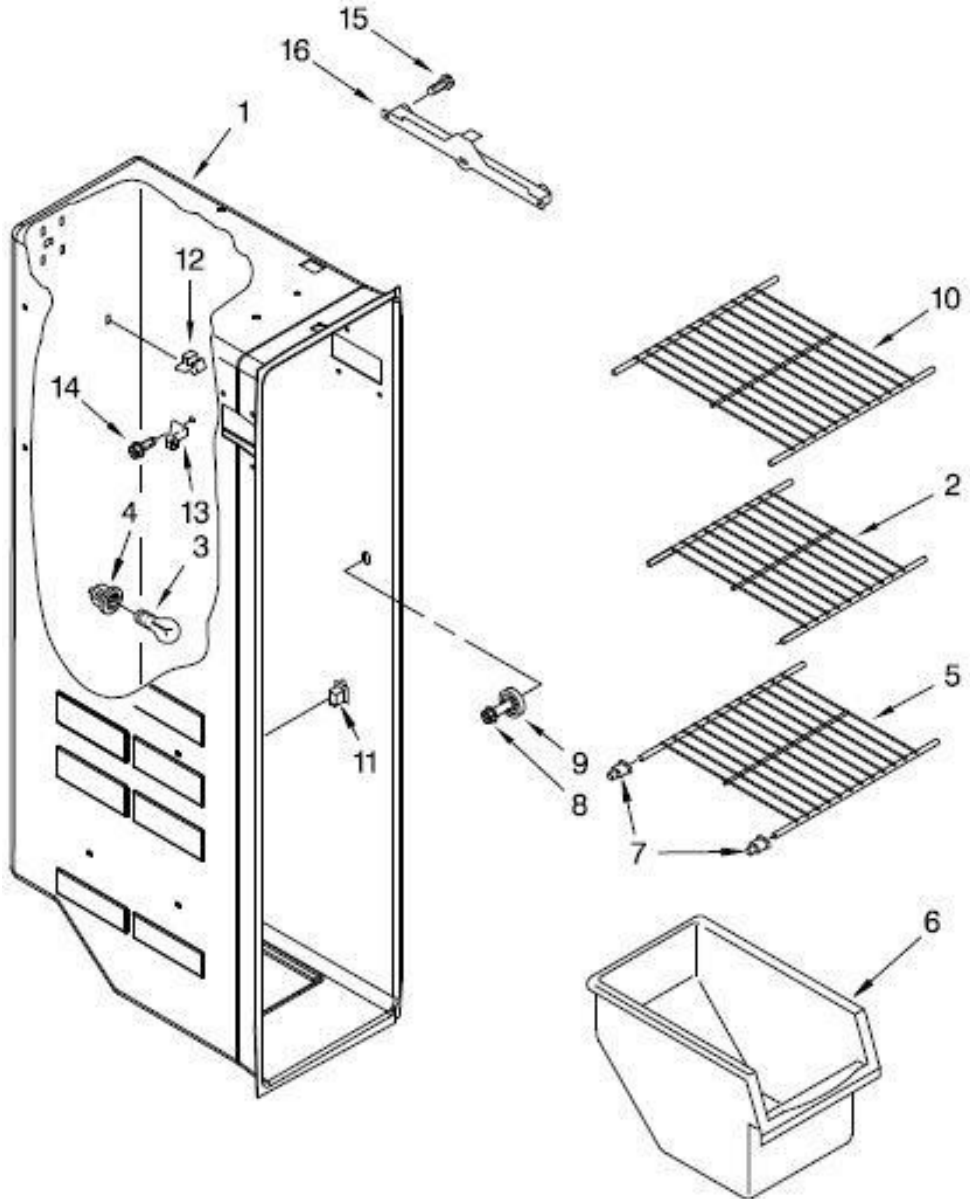




Refrigerador Whirlpool WD5104D00

No. Ilus.	DESCRIPCIÓN	No. de Parte
1	Glass, Cover	2179259
2	Cover, Crisper	2209698
3	Glass, Cover	2179259
4	Crisper, Pan	2188652
5	Pan, Meat	2188654
6	Stud, Assembly	W10173126
7	Screw	*****
8	Stud Assembly	W10173127
9	Screw	*****
10	Slide, Humidity Control	2179342
11	Body, Humidity Control	2179343
12	Trim, Crisper Pan	W10449632
13	Trim, Pan	W10630548
14	Shelf Assembly, Spillguard	W10276348

Refrigerador Whirlpool WD5104D00





Refrigerador Whirlpool WD5104D00

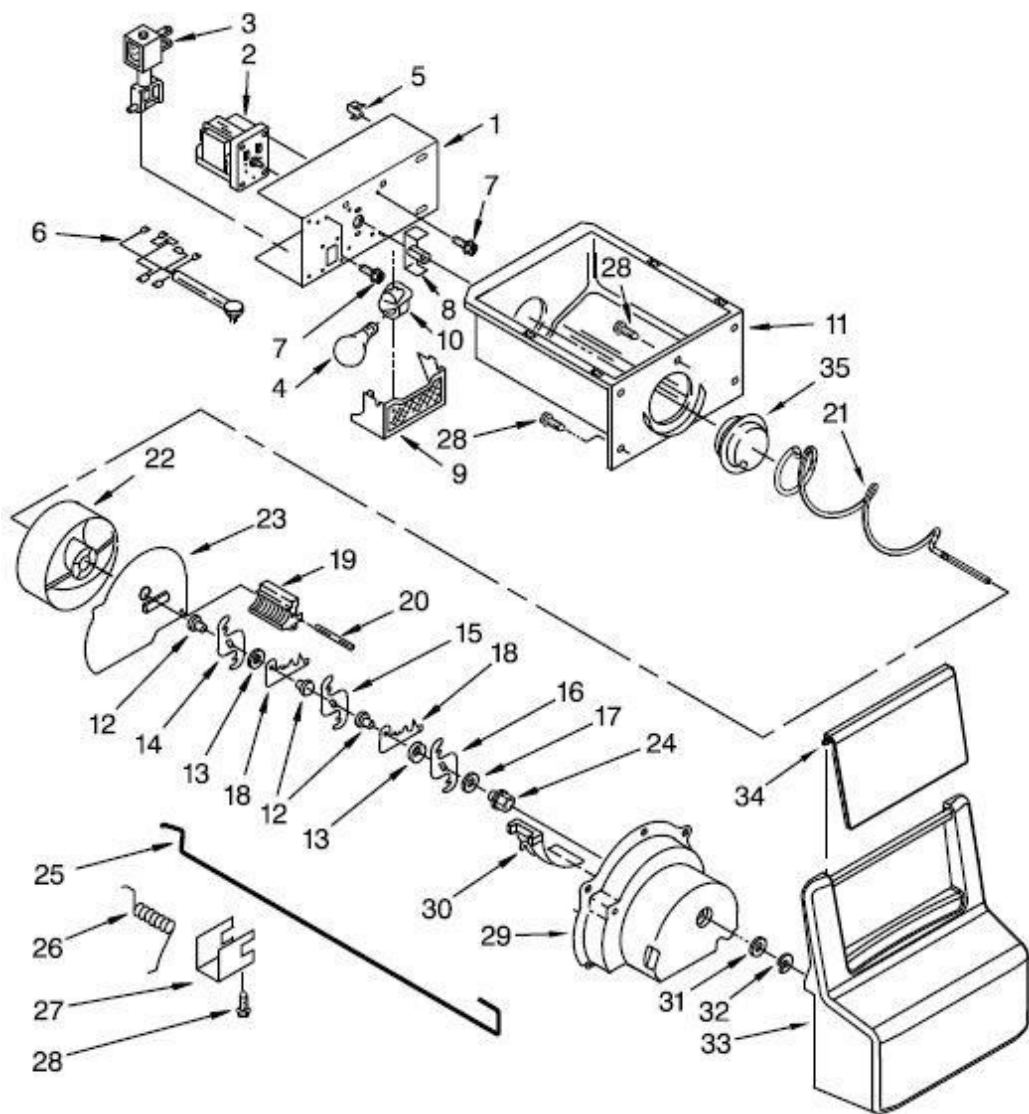
No. Ilus.	DESCRIPCIÓN	No. de Parte
1	Liner (No Serviciable)	*****
2	Shelf, Wire	W10318961
3	Bulb, Light	W10311505
4	Socket, Light	2162085
5	Shelf, Wire	W10318947
6	Freezer Bin	2309757
7	Cup, Shelf	W10130299
8	Screw	*****
9	Stud Assembly	W10173127
10	Shelf, Wire	W10318948
11	Switch, Rocker Arm	1115373
12	Clip, Air Duct	2315163
13	Support Stud	2196206
14	Screw	*****
15	Screw	*****
16	Slide, Ice Container (Izquierdo)	1119237
	Slide, Ice Container (Derecho)	1119293

Distribuidor Autorizado

SurteRápido.com

Venta de Refacciones
Electrodomesticas

Refrigerador Whirlpool WD5104D00





Refrigerador Whirlpool WD5104D00

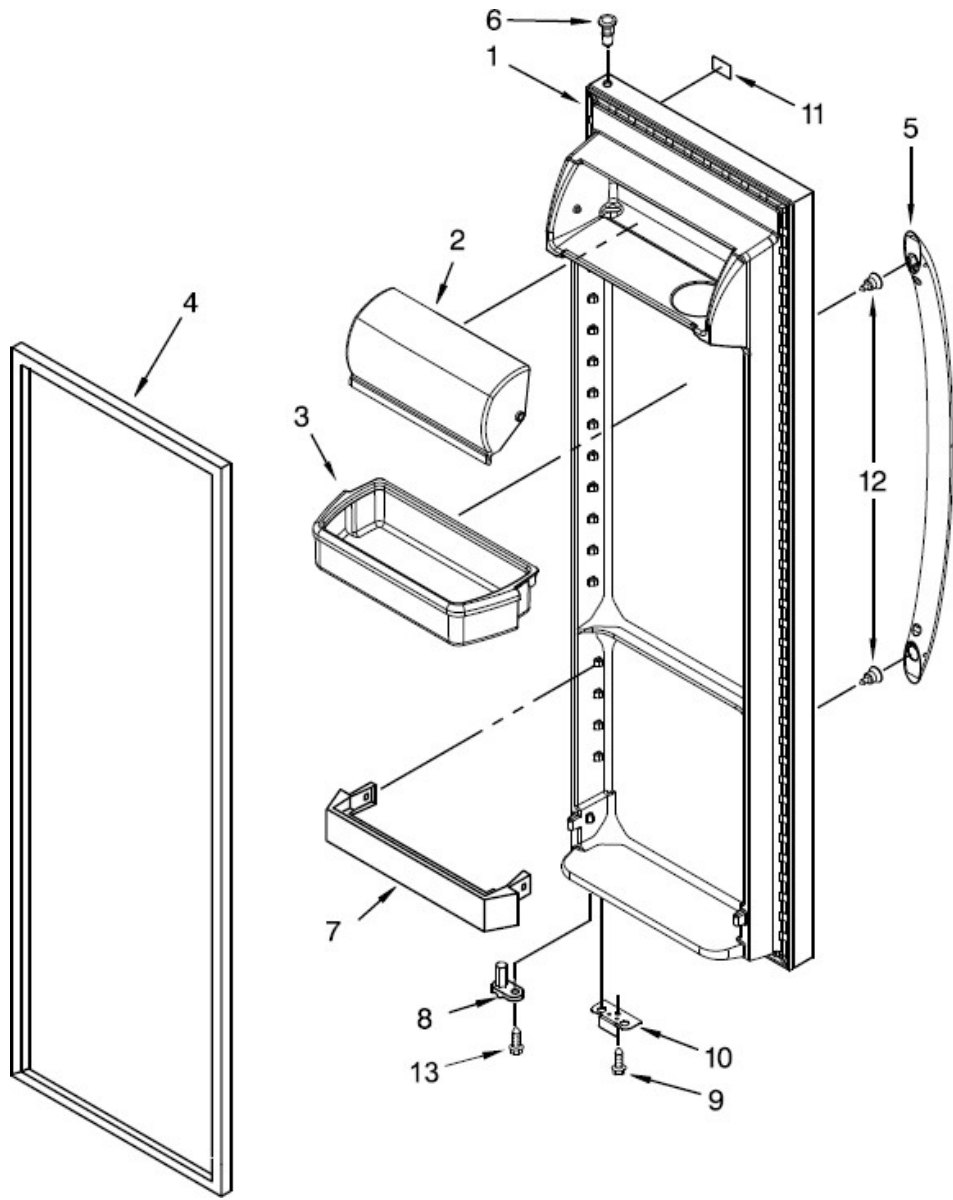
No. Ilus.	DESCRIPCIÓN	No. de Parte
1	Bracket, Motor	W10304376
2	Motor, Dispenser	W10317991
3	Solenoid Assembly	2152713
4	Bulb, Light	W10311505
5	Clip, Wire	2155547
6	Wiring Assembly, Ice Dispenser	W10298085
7	Screw	*****
8	Coupling, Motor	W10169511
9	Lens, Light	2171706
10	Socket, Light	2162085
11	Ice Container	W10670845
12	Spacer, Step	W10189661
13	Spacer, Flat	W10189658
14	Blade, Rotary A	W10278731
15	Blade, Rotary B	W10278732
16	Blade, Rotary C	W10278733
17	Washer, Plain Upper Cam	489234
18	Blade, Fixed	W10181990
19	Block, Blade	W10189708
20	Roll Pin	489229
21	Auger	W10295082
22	Drum	2305377
23	Baffle, Floating	2171682
24	Nut, Bearing	1119018
25	Control Arm	2155231
26	Spring, Return	1119020
27	Retainer Clip, Rod Dispenser	1119021
28	Screw	*****



Refrigerador Whirlpool WD5104D00

No. Ilus.	DESCRIPCIÓN	No. de Parte
29	Housing, Crusher	W10185018
30	Deflector, Ice	1119017
31	Washer, Plain Upper Cam	489234
32	Ring, Retainer	489236
33	Font Cover, Ice Container	W10189191
34	Ice Door	W10406980
35	Coupling, Ice Conveyor	W10698668
	Ice Container Complete	W10406981

Refrigerador Whirlpool WD5104D00

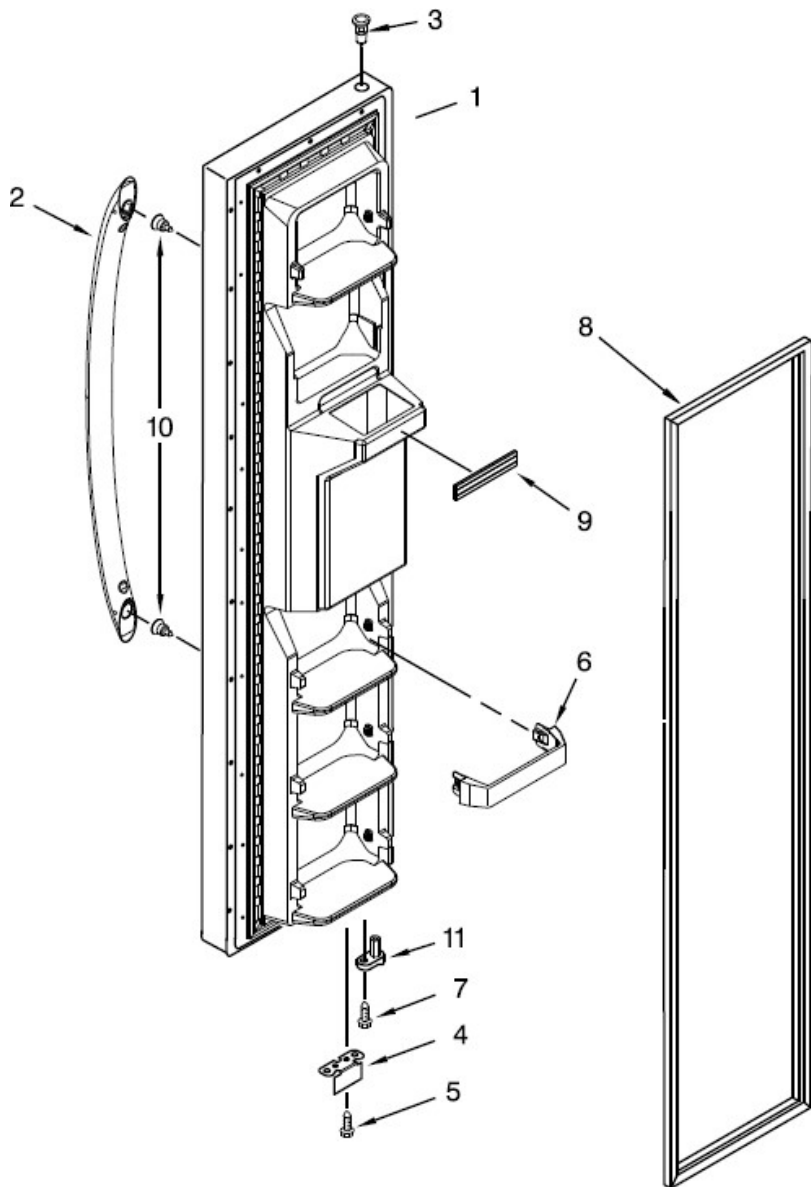




Refrigerador Whirlpool WD5104D00

No. Ilus.	DESCRIPCIÓN	No. de Parte
1	Refrigerator Door (Incluye ítem 4)	W10548325
2	Door Compartment	2256101
3	Bin, Door	2203828
4	Door Gasket Magnetic	2309529
5	Handle	W10268057
6	Thimble	2182181
7	Trivet	2309941
8	Door Closer, Upper Cam	2182178
9	Screw	*****
10	Bracket, Door Stop	W10219801
11	Nameplate	W10393264
12	Screw	*****
13	Screw	*****

Refrigerador Whirlpool WD5104D00

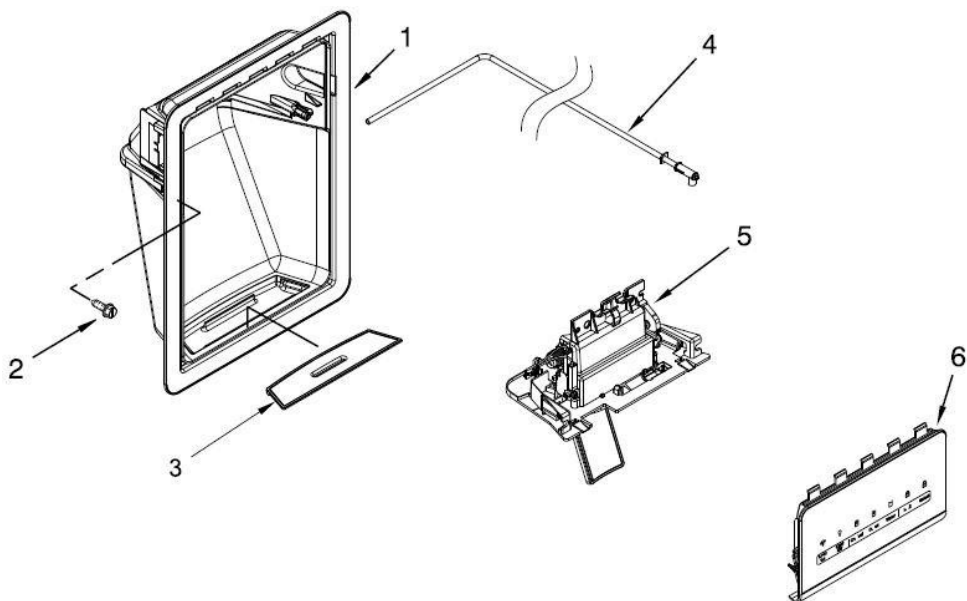




Refrigerador Whirlpool WD5104D00

No. Ilus.	DESCRIPCIÓN	No. de Parte
1	Freezer Door	W10548327
2	Handle	W10268057
3	Thimble	2182181
4	Bracket, Door Stop	2306940
5	Screw	*****
6	Trim, Door	2309718
7	Screw	*****
8	Door Gasket Magnetic	2309533
9	Trim, Door Shelf	W10307494
10	Screw	*****
11	Door Closer, Upper Cam	2223752

Refrigerador Whirlpool WD5104D00



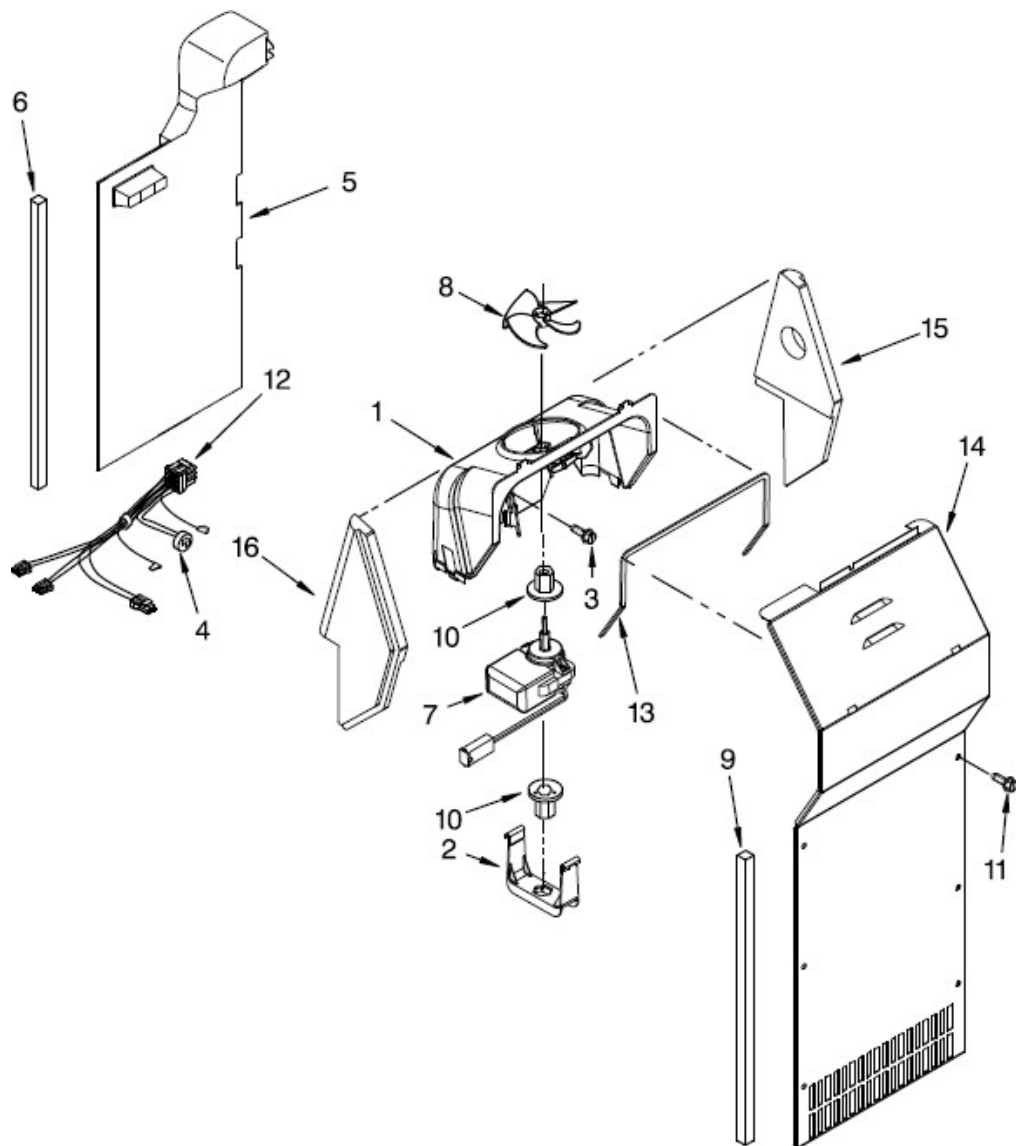
No.Ilus.	DESCRIPCIÓN	No. de Parte
1	Housing, Dispenser (No Servicable)	*****
2	Screw	*****
3	Grille, Overflow	W10397394
4	Water Fitting Assembly	W10397435
5	Separator Assembly	W10563937
6	UI Assembly Control	W10397957

Distribuidor Autorizado

SurteRápido.com

Venta de Refacciones
Electrodomesticas

Refrigerador Whirlpool WD5104D00





Refrigerador Whirlpool WD5104D00

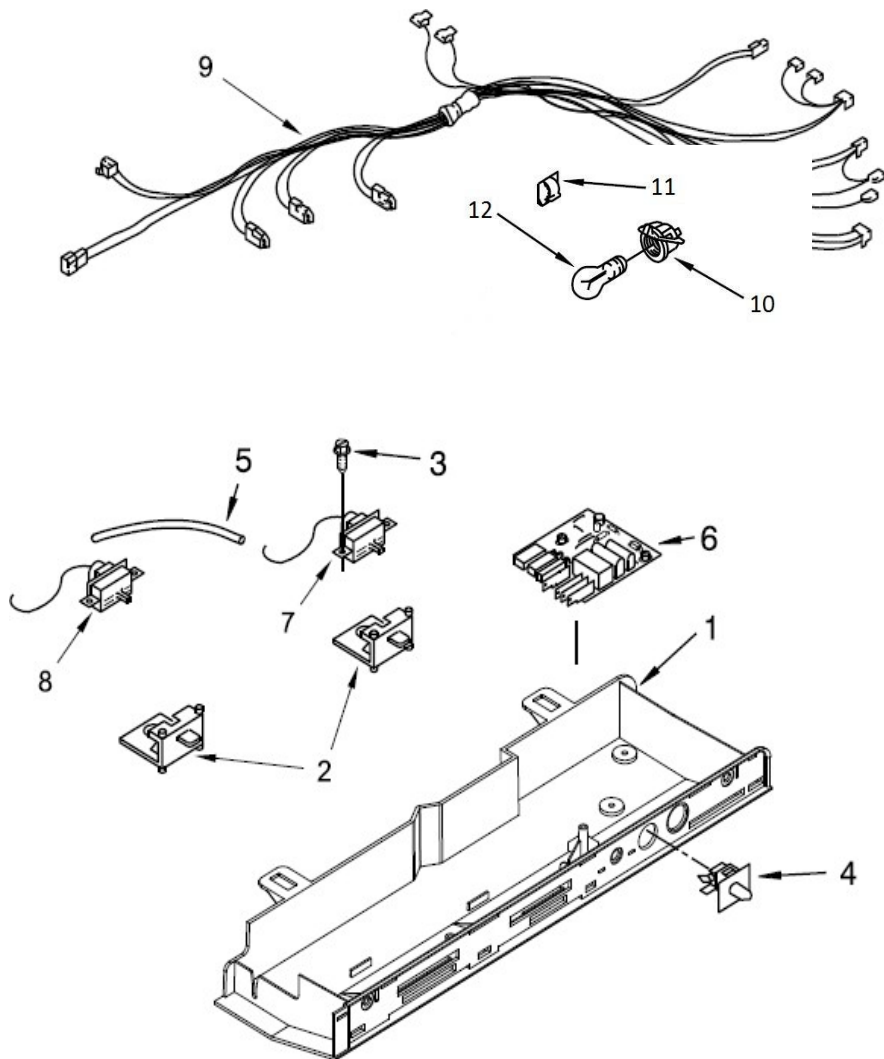
No. Ilus.	DESCRIPCIÓN	No. de Parte
1	Scroll, Fan	2182120
2	Retainer, Fan Motor	2155590
3	Screw	*****
4	Bl-Metal, Defrost	W10225581
5	Air Duct Freezer	W10177781
6	Gasket	2155789
7	Fan Motor	W10508362
8	Blade, Fan	2169142
9	Gasket, Evaporator Cover	2304241
10	Grommet, Motor	2176759
11	Screw	*****
12	Harness, Fan Tube Evaporator	W10297482
13	Gasket, Evaporator Cover	2304241
14	Cover, Evaporator	W10463011
15	Support, Right Hand	2203595
16	Support, Left Hand	2203596

Distribuidor Autorizado

SurteRápido.com

Venta de Refacciones
Electrodomesticas

Refrigerador Whirlpool WD5104D00





Refrigerador Whirlpool WD5104D00

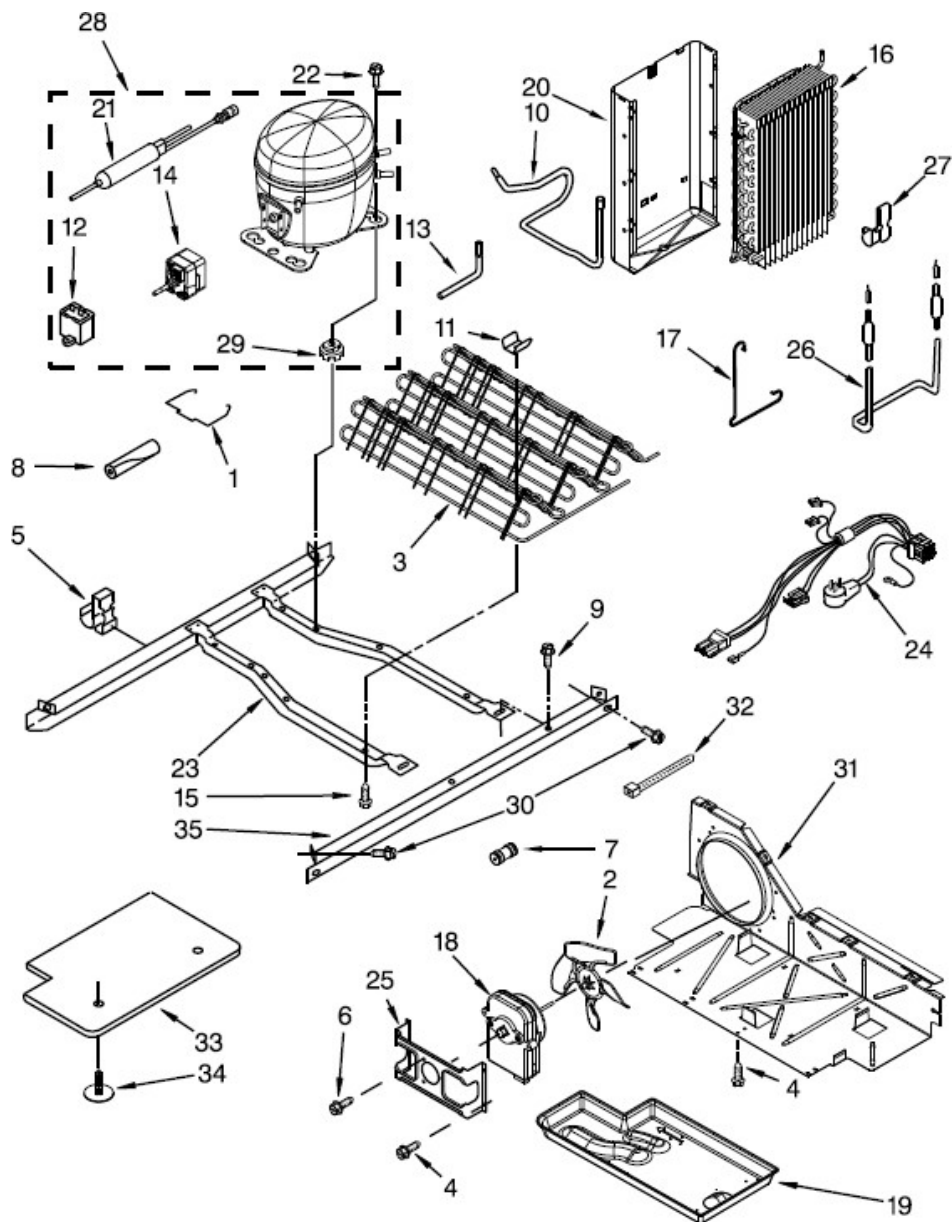
No. Ilus.	DESCRIPCIÓN	No. de Parte
1	Control Box	2200134
2	Slide, Thermostat	2161466
3	Screw	*****
4	Switch, Pluger	2149705
5	Tube, Barrier Thermostat	2182150
6	Adaptative, Defrost Control	2303824
7	Thermostat	W10320574
8	Thermostat (FC)	2321289
9	Harness, Control Box	2310117
10	Socket, Light	2162085
11	Clip, Wire	*****
12	Bulb, Light	W10311505

Distribuidor Autorizado

SurteRápido.com

Venta de Refacciones
Electrodomesticas

Refrigerador Whirlpool WD5104D00





Refrigerador Whirlpool WD5104D00

No. Ilus.	DESCRIPCIÓN	No. de Parte
1	Strap, Bale	W10204187
2	Blade, Fan	12825802
3	Condenser Assembly	W10222348
4	Screw	*****
5	Clip, Wire	2326941
6	Screw	*****
7	Connector, Water Tube	W10271541
8	Sleeve, Pressure Switch Hose	2161302
9	Screw	*****
10	Tube, Suction	2205765
11	Clip, Condenser	2311725
12	Capacitor	W10350564
13	Tube, Process	*****
14	Start Device Combination	W10197427
15	Screw	*****
16	Evaporator, FC	2188823
17	Clip, Defrost Heater	2161324
18	Motor, Condenser	W10508362
19	Tray, Evaporator	W10614158
20	Heat Shield and Drain Pan	W10194475
21	Drier	W10177049
22	Screw	*****
23	Frame, Unit Mounting	W10123397
24	Unit, Harness	W10417916
25	Bracket, Fan Motor	2181929
26	Heater, Defrost	2188175
27	Clip, Defrost Heater	2161324
28	Compressor	W10321630



Refrigerador Whirlpool WD5104D00

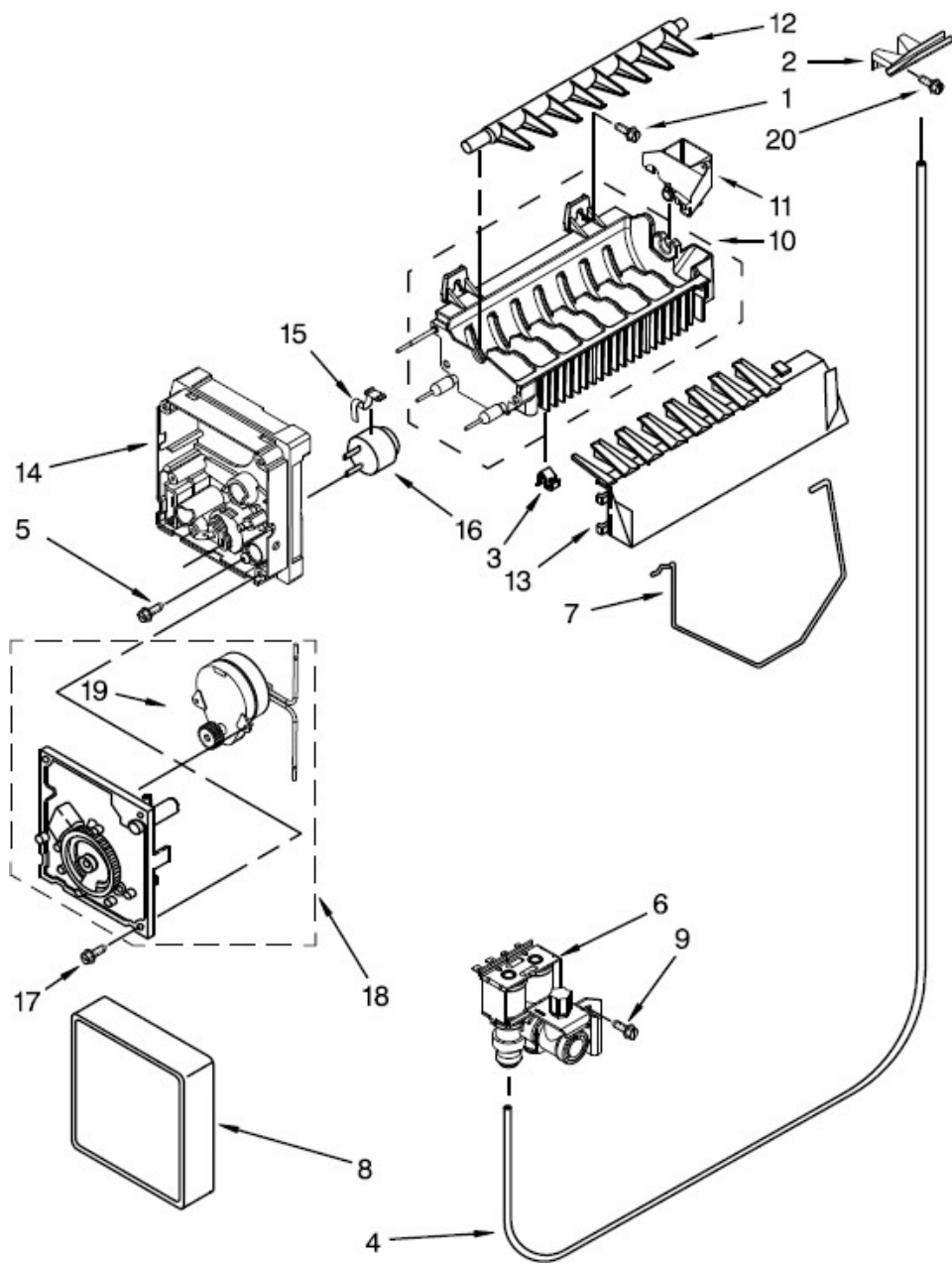
No. Ilus.	DESCRIPCIÓN	No. de Parte
29	Grommet	10835903
30	Bolt	489340
31	Air Baffle	W10332806
32	Tie, Wire	2263990
33	Unit Cover, Bottom	W10466694
34	Clip	489396
35	Rail, Unit Mounting	W10196313

Distribuidor Autorizado

SurteRápido.com

Venta de Refacciones
Electrodomesticas

Refrigerador Whirlpool WD5104D00





Refrigerador Whirlpool WD5104D00

No. Ilus.	DESCRIPCIÓN	No. de Parte
1	Screw	*****
2	Chute, Water	2209774
3	Clip, Thermal Fuse	628379
4	Tube, Water	W10357076
5	Screw	*****
6	Filter Valve Assembly	W10179146
7	Arm, Shutt Off	2304354
8	Cover, Icemaker	W10289690
9	Screw	*****
10	Assembly, Mold & Heater	W10300025
11	Cup-Water Fill	W10435665
12	Ejector, Arm	W10318914
13	Stripper, Ice	W10122563
14	Support	2195914
15	Retainer, Thermostat	2315522
16	Thermostat	2321258
17	Screw	*****
18	Assembly, Module	626691
19	Motor (No Serviciable)	*****
20	Screw	*****
	Complete Icemaker Assembly	W10300022