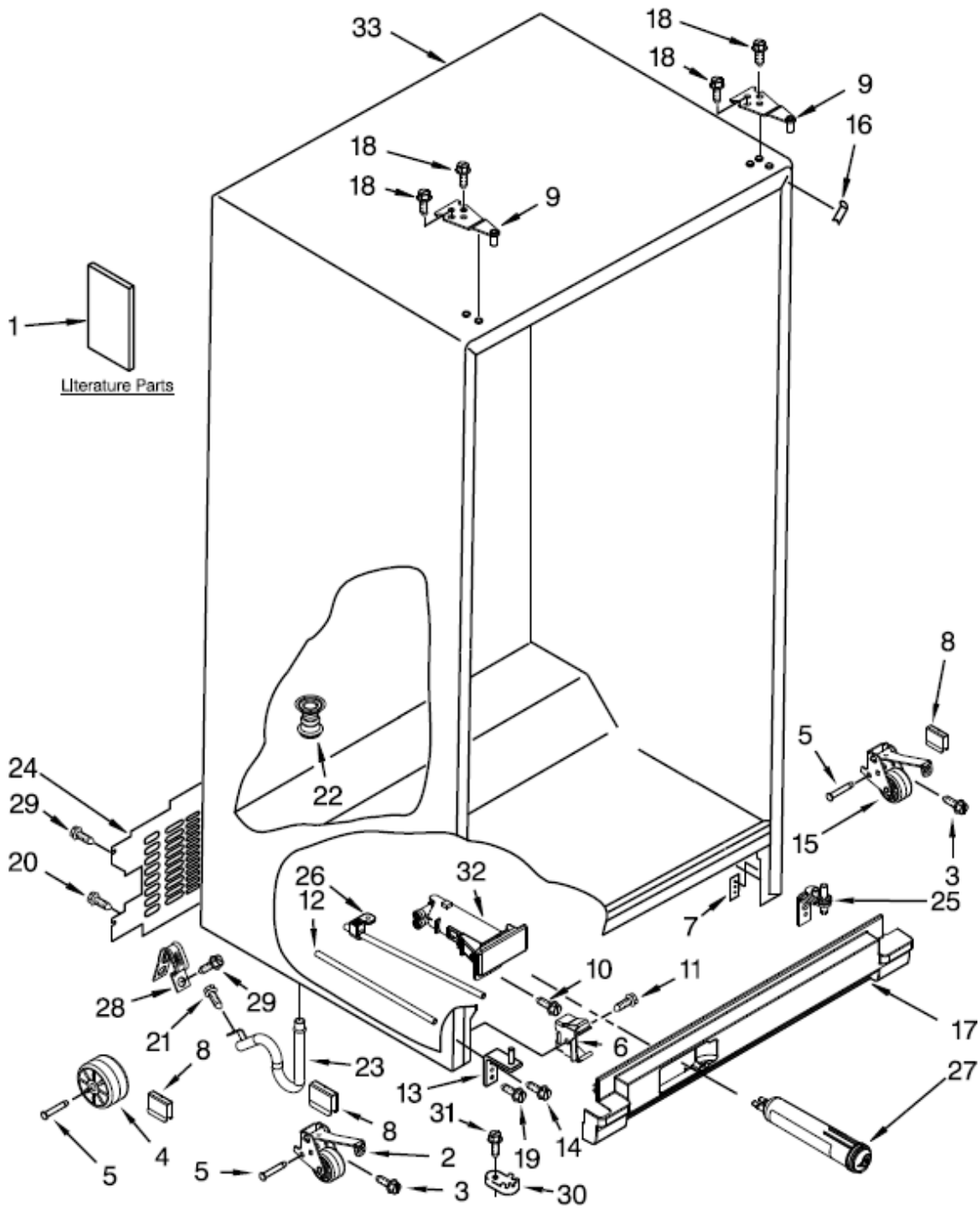


EXPLOSIONADO DE PARTES

— REFRIGERADOR DÚPLEX —

MODELO | WD5105D00

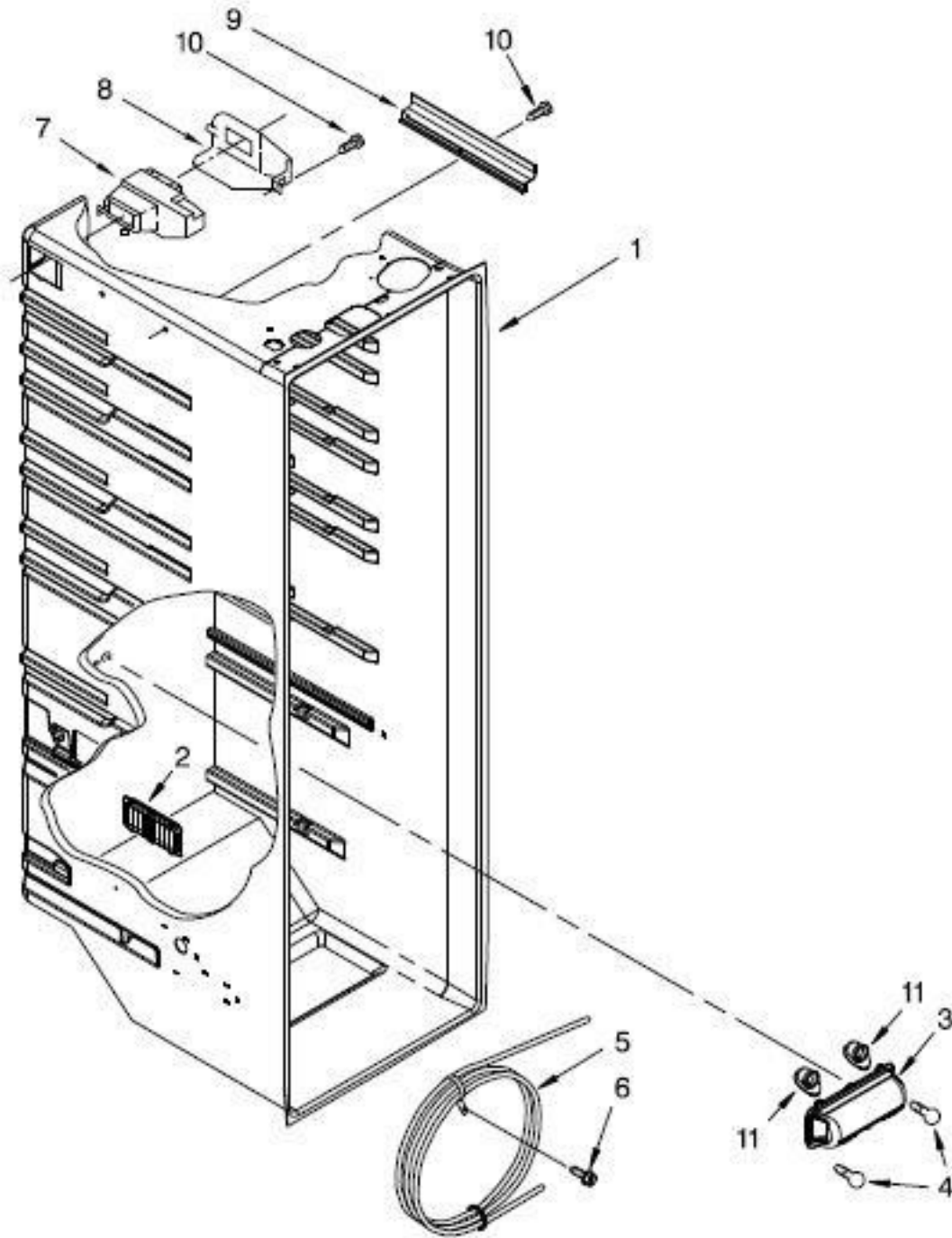
REFRIGERADOR WD5105D00



REFRIGERADOR WD5105D00

No.	DESCRIPCIÓN	Cant.	No. de Parte
1	Literature Parts	**	*****
2	Roller	1	W10304660
3	Screw	**	*****
4	Roller	1	W10475495
5	Axle, Roller	1	2262072
6	Clip, Grille	2	2155013
7	Plate, Screw	1	2304249
8	Clip, Roller	1	2174706
9	Top Hinge	2	W10398820
10	Screw	**	*****
11	Screw	**	*****
12	Tube, Filter Outlet	1	W10350006
13	Hinge, Bottom FC	1	W10414753
14	Screw	**	*****
15	Front Roller Right	1	W10304659
16	Filler, Wrapper	2	W10283960
17	Grille	1	W10350049
18	Screw, Hinge	**	*****
19	Screw	**	*****
20	Screw	**	*****
21	Screw	**	*****
22	Drain Fitting	1	2304888
23	Extension, Drain Fitting	1	W10153550
24	Cover Unit	1	2220758
25	Hinge, Bottom RC	1	W10409481
26	Tube, Filter Inlet	1	W10350007
27	Water Filter, PUR	1	W10569758
28	Clamp, Power Cord	1	W10303628
29	Screw	**	*****
30	Door Closer, Freezer	1	2223751
31	Screw	**	*****
32	Housing, Water Filter	1	W10350063
33	Cabinet (No Servicable)	**	*****

REFRIGERADOR WD5105D00

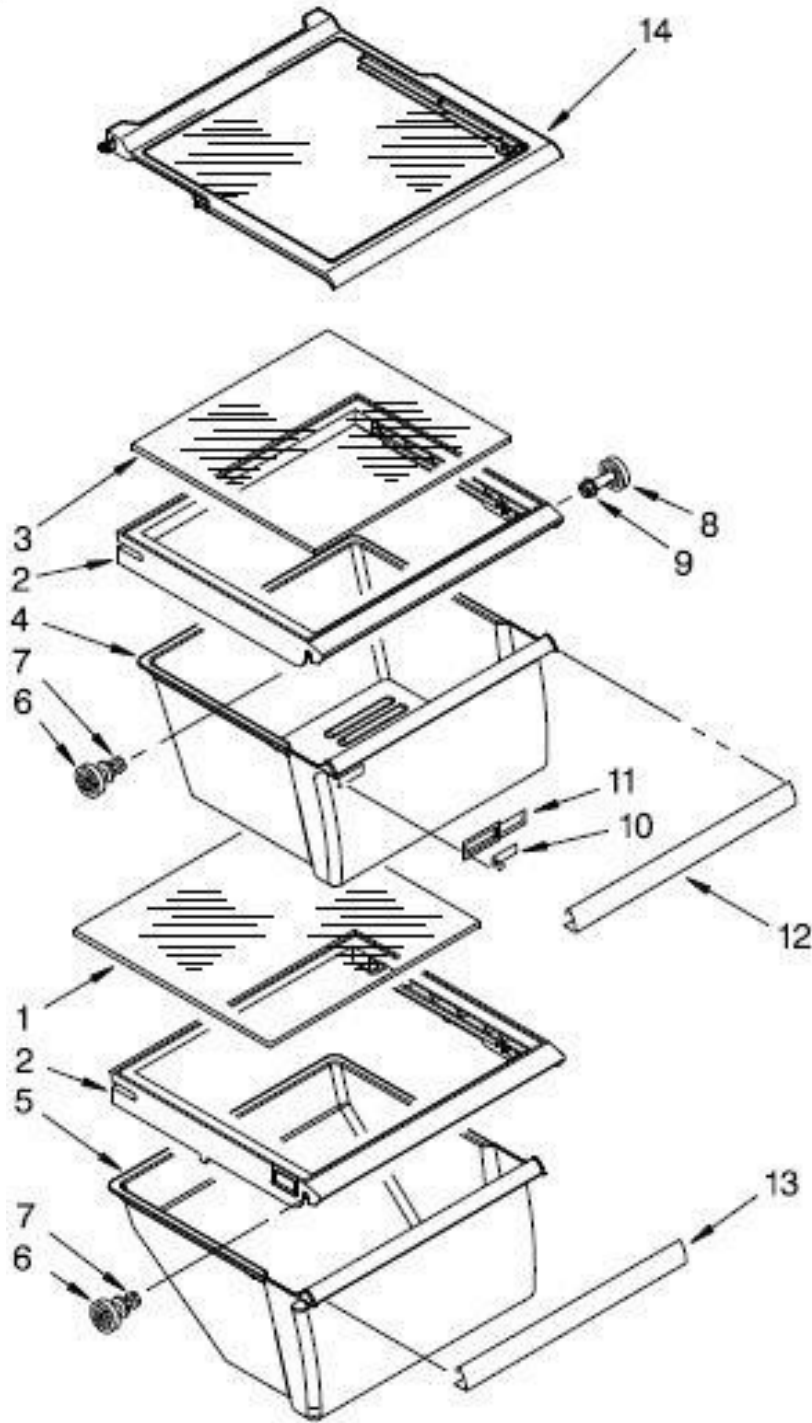




REFRIGERADOR WD5105D00

No. Ilus.	DESCRIPCIÓN	Cant.	No. de Parte
1	Liner (No Serviciable)	**	*****
2	Louver	1	W10550195
3	Light Lens	1	W10242623
4	Bulb, Light	1	W10311505
5	Reservoir	1	W10526445
6	Screw	**	*****
7	Air Diffuser Assembly	1	W10151374
8	Cover, Air Diffuser	1	2152019
9	Cover, Wiring	1	W10252495
10	Screw	**	*****

REFRIGERADOR WD5105D00

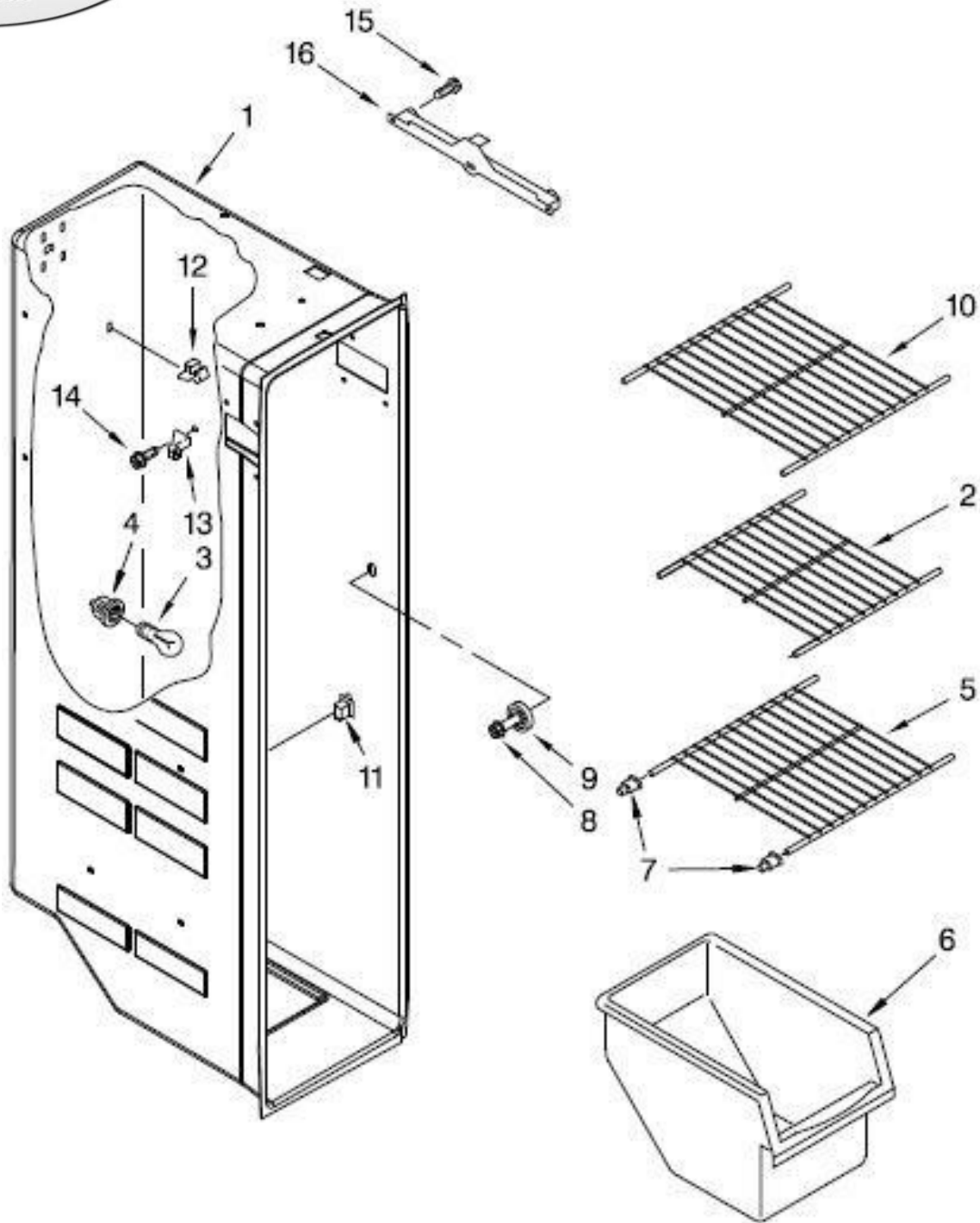




REFRIGERADOR WD5105D00

No. Ilus.	DESCRIPCIÓN	Cant.	No. de Parte
1	Glass, Cover	1	2179259
2	Cover, Crisper	2	2209698
3	Glass, Cover	1	2179259
4	Crisper, Pan	1	2188652
5	Pan, Meat	1	2188654
6	Stud, Assembly	2	W10173126
7	Screw	**	*****
8	Stud Assembly	1	W10173127
9	Screw	**	*****
10	Slide, Humidity Control	1	2179342
11	Body, Humidity Control	1	2179343
12	Trim, Crisper Pan	1	W10449632
13	Trim, Pan	1	W10630548
14	Shelf Assembly, Spillguard	1	W10276348

REFRIGERADOR WD5105D00

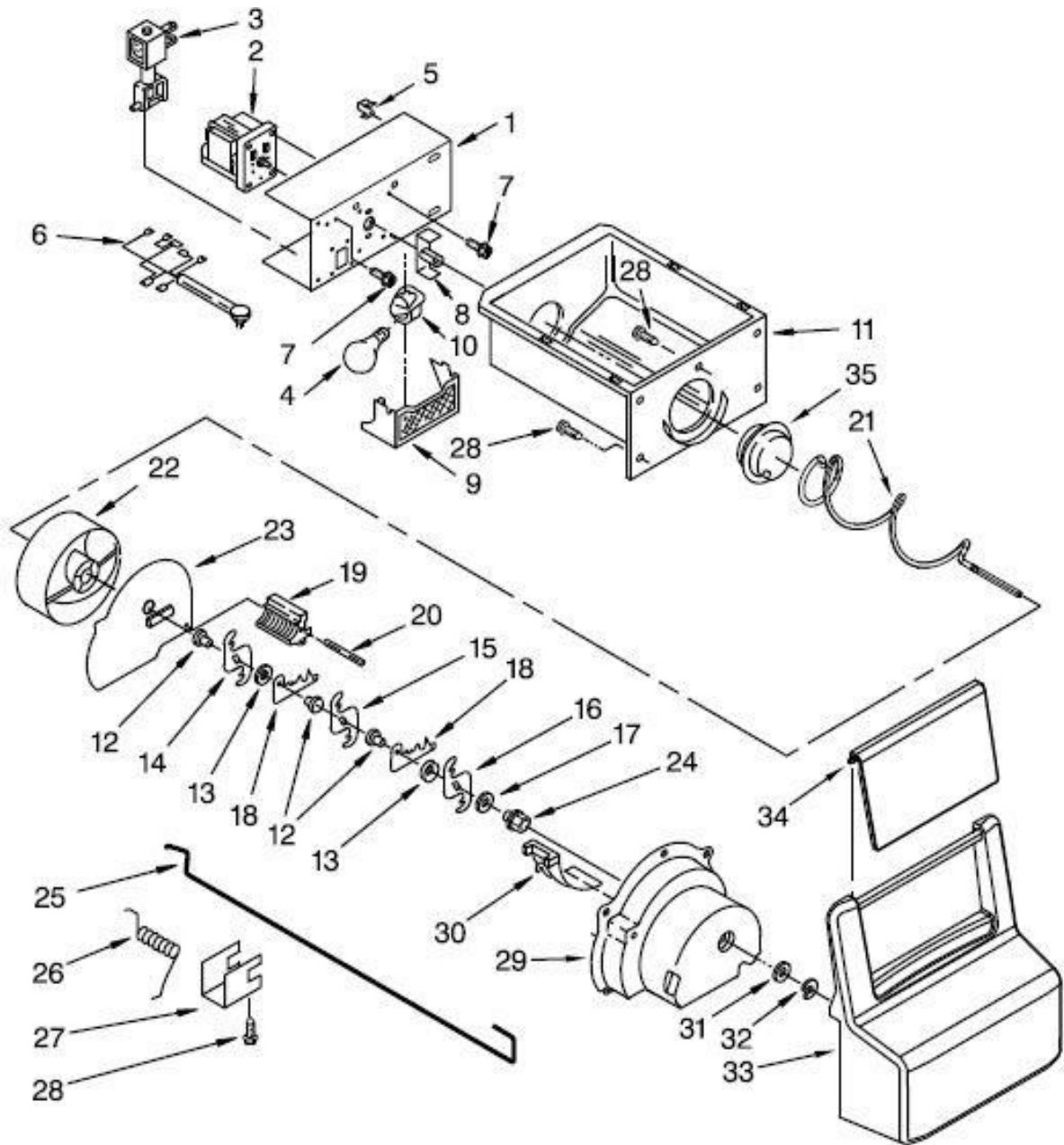




REFRIGERADOR WD5105D00

No. Ilus.	DESCRIPCIÓN	Cant.	No. de Parte
1	Liner (No Serviciable)	**	*****
2	Shelf, Wire	1	W10318961
3	Bulb, Light	1	W10311505
4	Socket, Light	1	2162085
5	Shelf, Wire	1	W10318947
6	Freezer Bin	1	2309757
7	Cup, Shelf	12	W10130299
8	Screw	**	*****
9	Stud Assembly	1	W10173127
10	Shelf, Wire	1	W10318948
11	Switch, Rocker Arm	1	1115373
12	Clip, Air Duct	2	2315163
13	Support Stud	4	2196206
14	Screw	**	*****
15	Screw	**	*****
16	Slide, Ice Container (Izquierdo)	1	1119237
	Slide, Ice Container (Derecho)	1	1119293

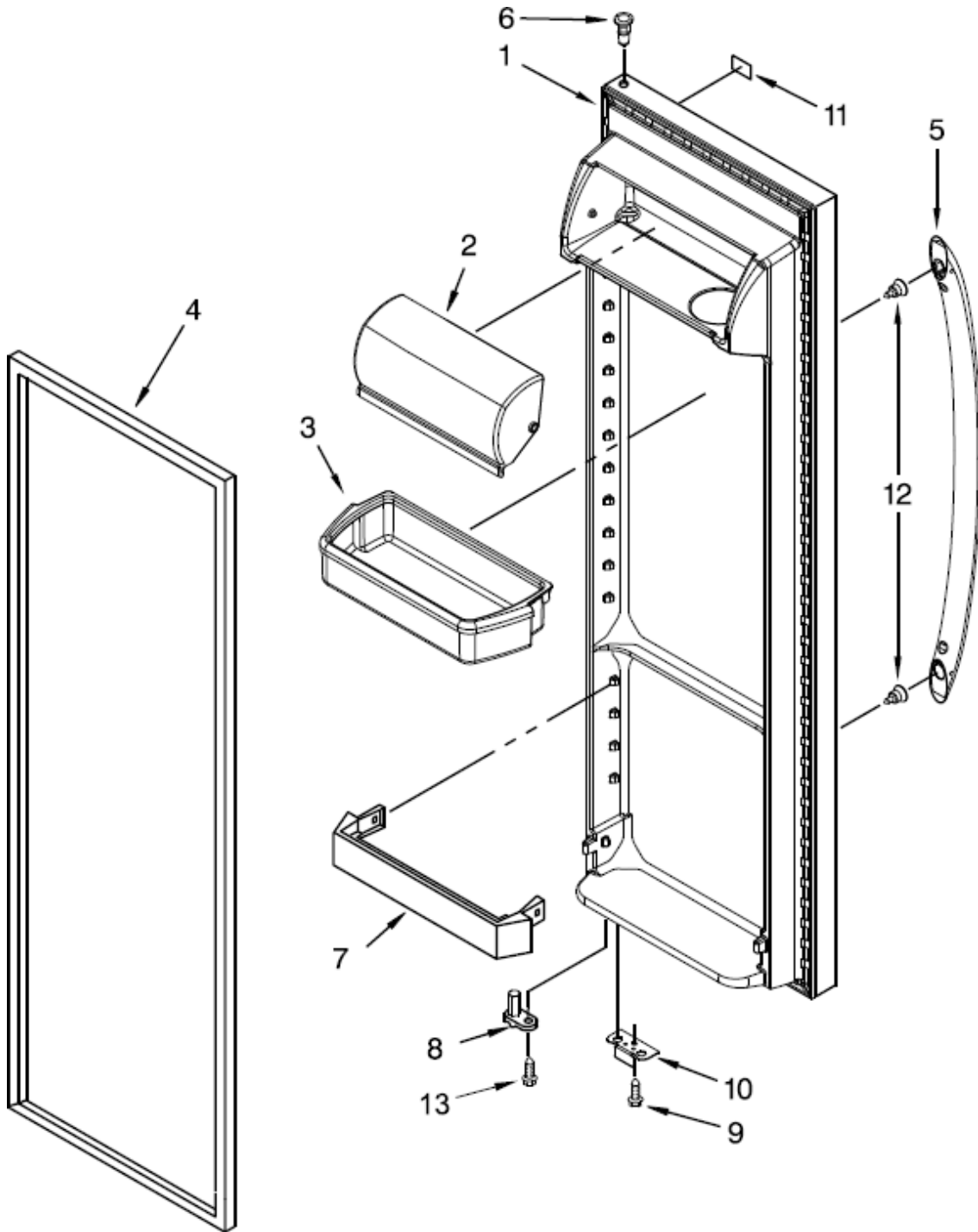
REFRIGERADOR WD5105D00



REFRIGERADOR WD5105D00

No. Ilus.	DESCRIPCIÓN	Cant.	No. de Parte
1	Bracket, Motor	1	W10304376
2	Motor, Dispenser	1	W10317991
3	Solenoid Assembly	1	2152713
4	Bulb, Light	1	W10311505
5	Clip, Wire	1	2155547
6	Wiring Assembly, Ice Dispenser	1	W10298085
7	Screw	**	*****
8	Coupling, Motor	1	W10169511
9	Lens, Light	1	2171706
10	Socket, Light	1	2162085
11	Ice Container	1	W10670845
12	Spacer, Step	3	W10189661
13	Spacer, Flat	2	W10189658
14	Blade, Rotary A	1	W10278731
15	Blade, Rotary B	1	W10278732
16	Blade, Rotary C	1	W10278733
17	Washer, Plain Upper Cam	1	489234
18	Blade, Fixed	2	W10181990
19	Block, Blade	1	W10189708
20	Roll Pin	1	489229
21	Auger	1	W10295082
22	Drum	1	2305377
23	Baffle, Floating	1	2171682
24	Nut, Bearing	1	1119018
25	Control Arm	1	2155231
26	Spring, Return	1	1119020
27	Retainer Clip, Rod Dispenser	1	1119021
28	Screw	**	*****
29	Housing, Crusher	1	W10185018
30	Deflector, Ice	1	1119017
31	Washer, Plain Upper Cam	1	489234
32	Ring, Retainer	1	489236
33	Font Cover, Ice Container	1	W10189191
34	Ice Door	1	W10406980
35	Coupling, Ice Conveyor	1	W10698668
Ice Container Complete			W10406981

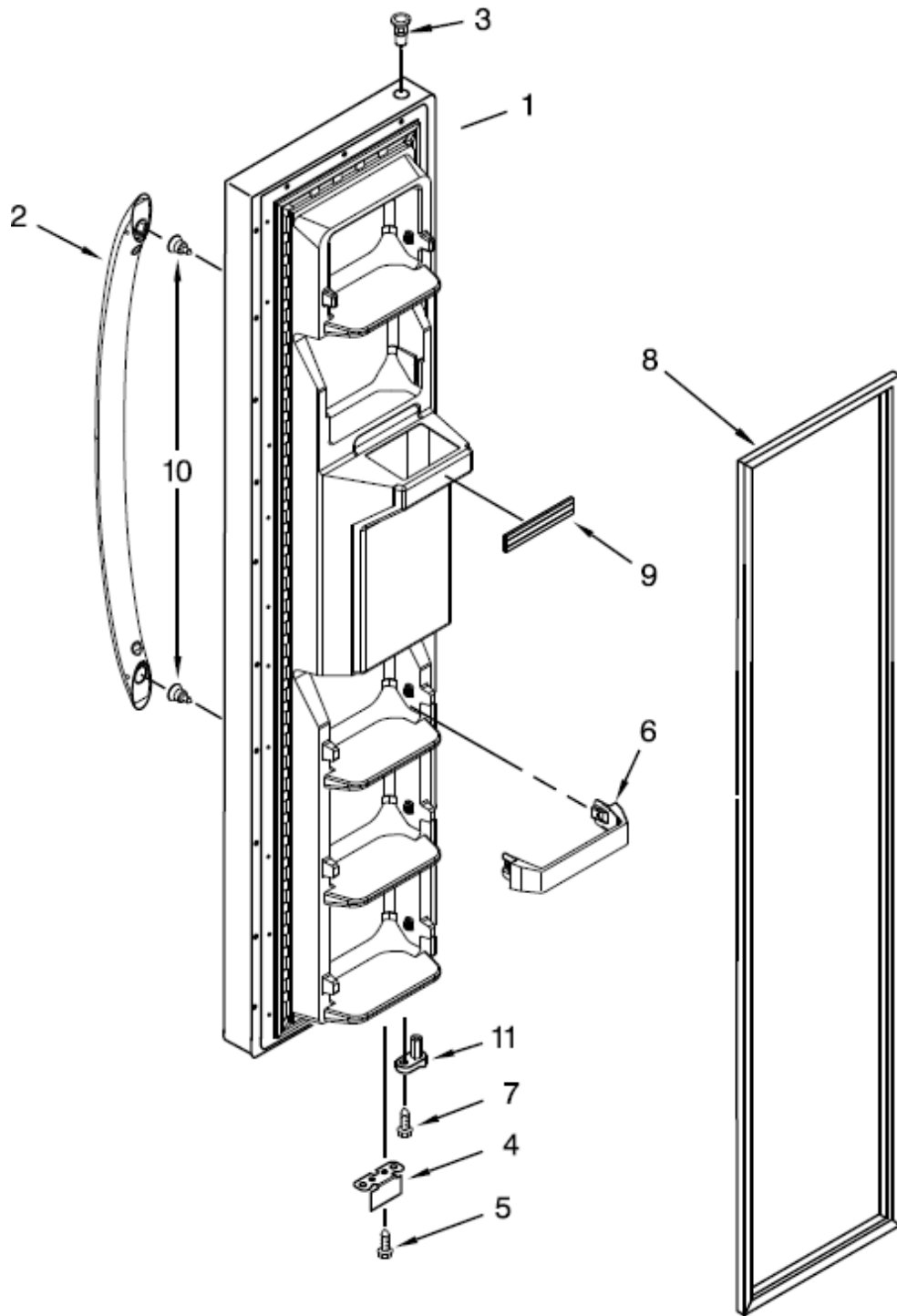
REFRIGERADOR WD5105D00



REFRIGERADOR WD5105D00

No. Ilus.	DESCRIPCIÓN	Cant.	No. de Parte
1	Refrigerator Door (Incluye ítem 4)	1	W10548325
2	Door Compartment	1	2256101
3	Bin, Door	3	2203828
4	Door Gasket Magnetic	1	2309529
5	Handle	1	W10274730
6	Thimble	1	2182181
7	Trivet	1	2309941
8	Door Closer, Upper Cam	1	2182178
9	Screw	**	*****
10	Bracket, Door Stop	1	W10219801
11	Nameplate	1	W10393264
12	Screw	**	*****
13	Screw	**	*****

REFRIGERADOR WD5105D00

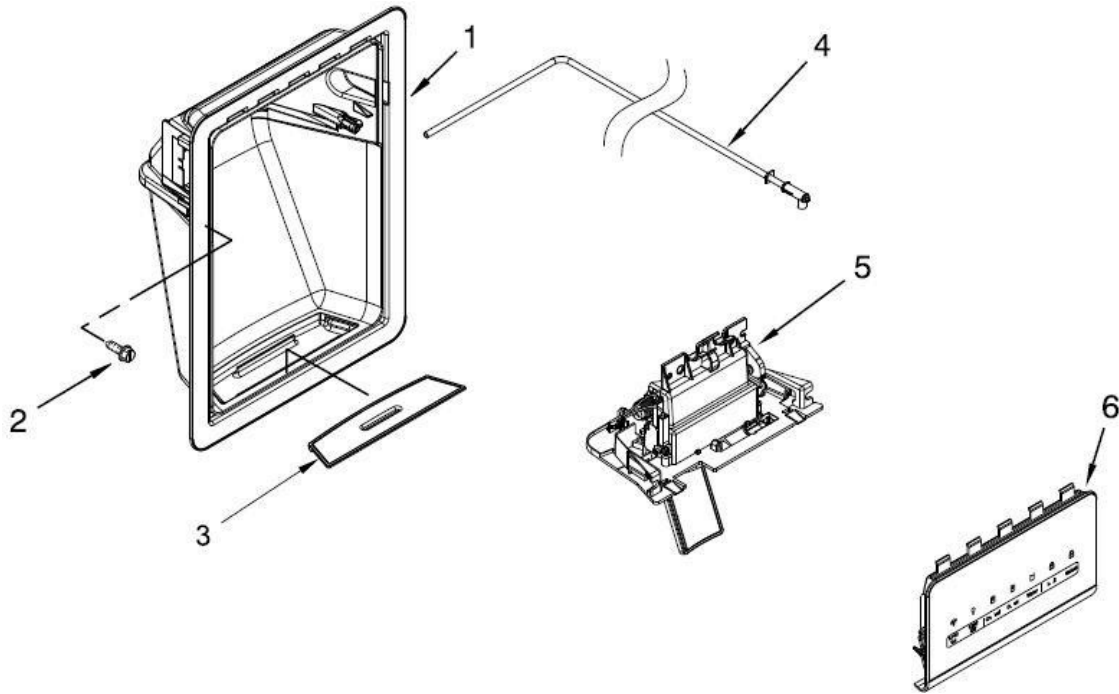




REFRIGERADOR WD5105D00

No. Ilus.	DESCRIPCIÓN	Cant.	No. de Parte
1	Freezer Door (Incluye Item 8 & Dispenser Front Parts)	1	W10651544
2	Handle	1	W10274730
3	Thimble	1	2182181
4	Bracket, Door Stop	1	2306940
5	Screw	**	*****
6	Trim, Door	3	2309718
7	Screw	**	*****
8	Door Gasket Magnetic	1	2309533
9	Trim, Door Shelf	1	W10307494
10	Screw	**	*****
11	Door Closer, Upper Cam	1	2223752

REFRIGERADOR WD5105D00



Distribuidor Autorizado

SurteRápido.com

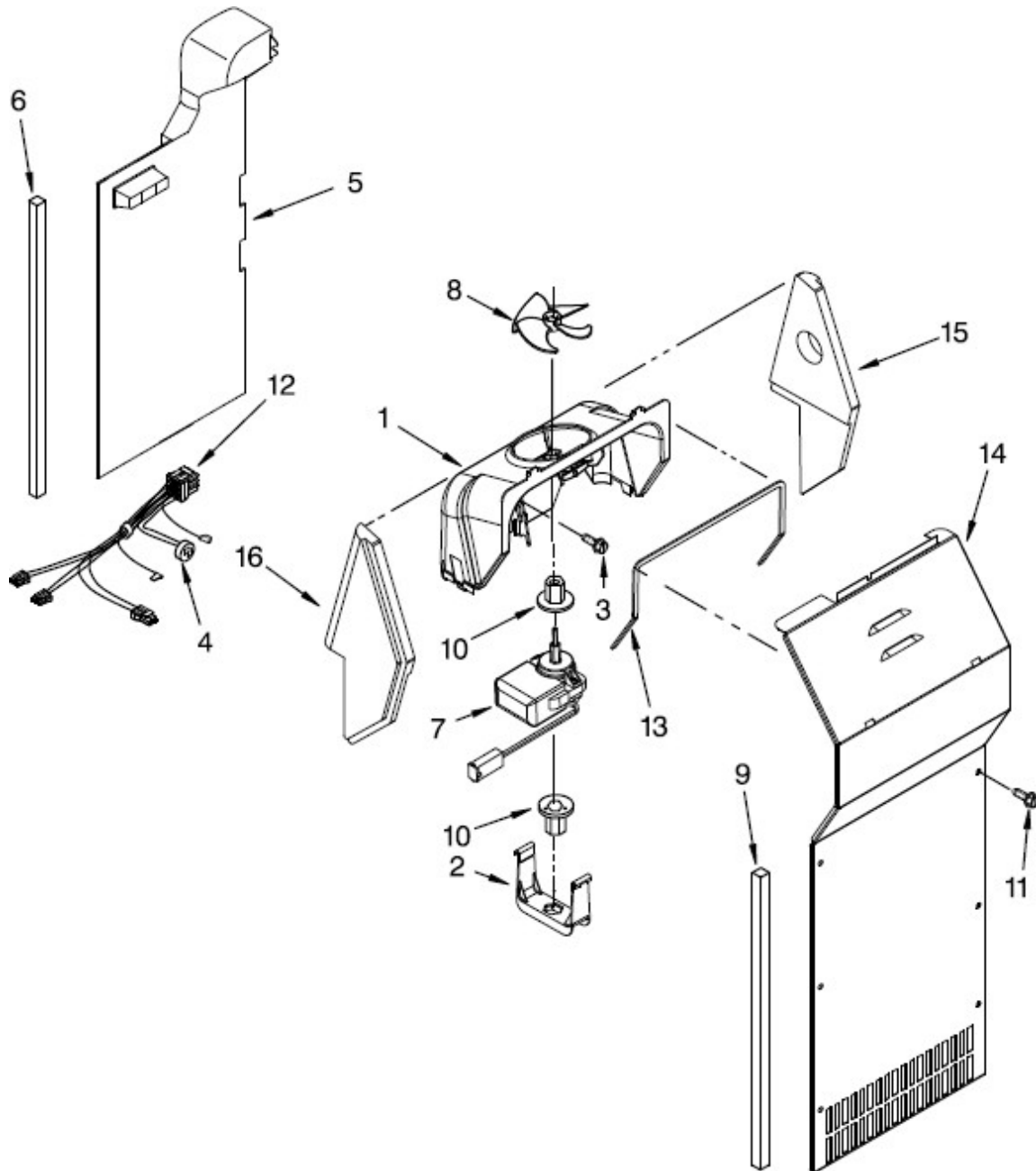
Venta de Refacciones
Electrodomesticas



REFRIGERADOR WD5105D00

No. Ilus.	DESCRIPCIÓN	Cant.	No. de Parte
1	Housing, Dispenser (No Serviciable)	**	*****
2	Screw	**	*****
3	Grille, Overflow	1	W10397395
4	Water Fitting Assembly	1	W10397435
5	Separator Assembly	1	W10616142
6	UI Assembly Control	1	W10397957

REFRIGERADOR WD5105D00

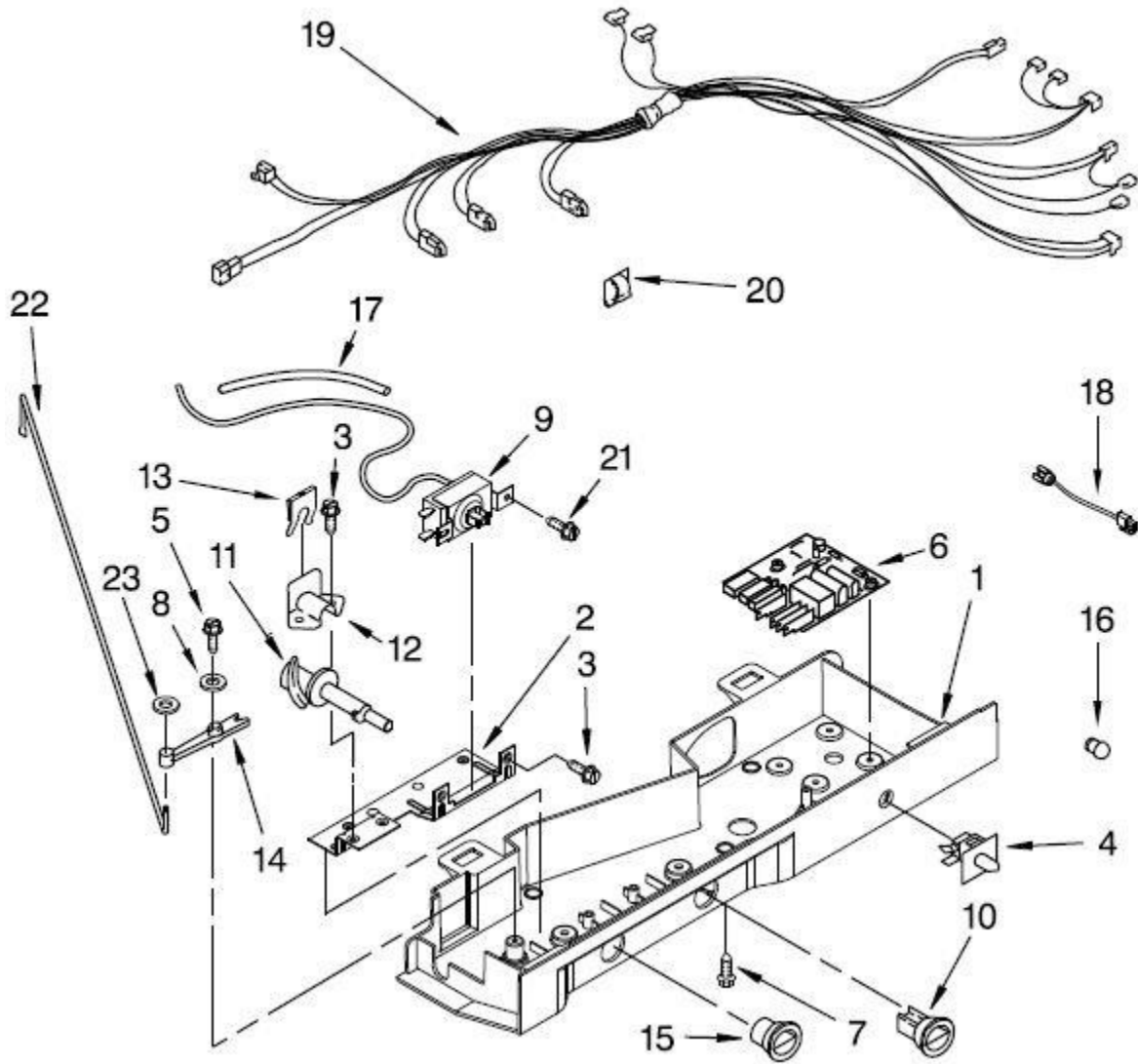




REFRIGERADOR WD5105D00

No. Ilus.	DESCRIPCIÓN	Cant.	No. de Parte
1	Scroll, Fan	1	2182120
2	Retainer, Fan Motor	1	2155590
3	Screw	**	*****
4	BI-Metal, Defrost	1	W10225581
5	Air Duct Freezer	1	W10177781
6	Gasket	1	2155789
7	Fan Motor	1	W10508362
8	Blade, Fan	1	2169142
9	Gasket, Evaporator Cover	2	2304241
10	Grommet, Motor	2	2176759
11	Screw	**	*****
12	Harness, Fan Tube Evaporator	1	W10297482
13	Gasket, Evaporator Cover	2	2304241
14	Cover, Evaporator	1	W10463011
15	Support, Right Hand	1	2203595
16	Support, Left Hand	1	2203596

REFRIGERADOR WD5105D00



REFRIGERADOR WD5105D00

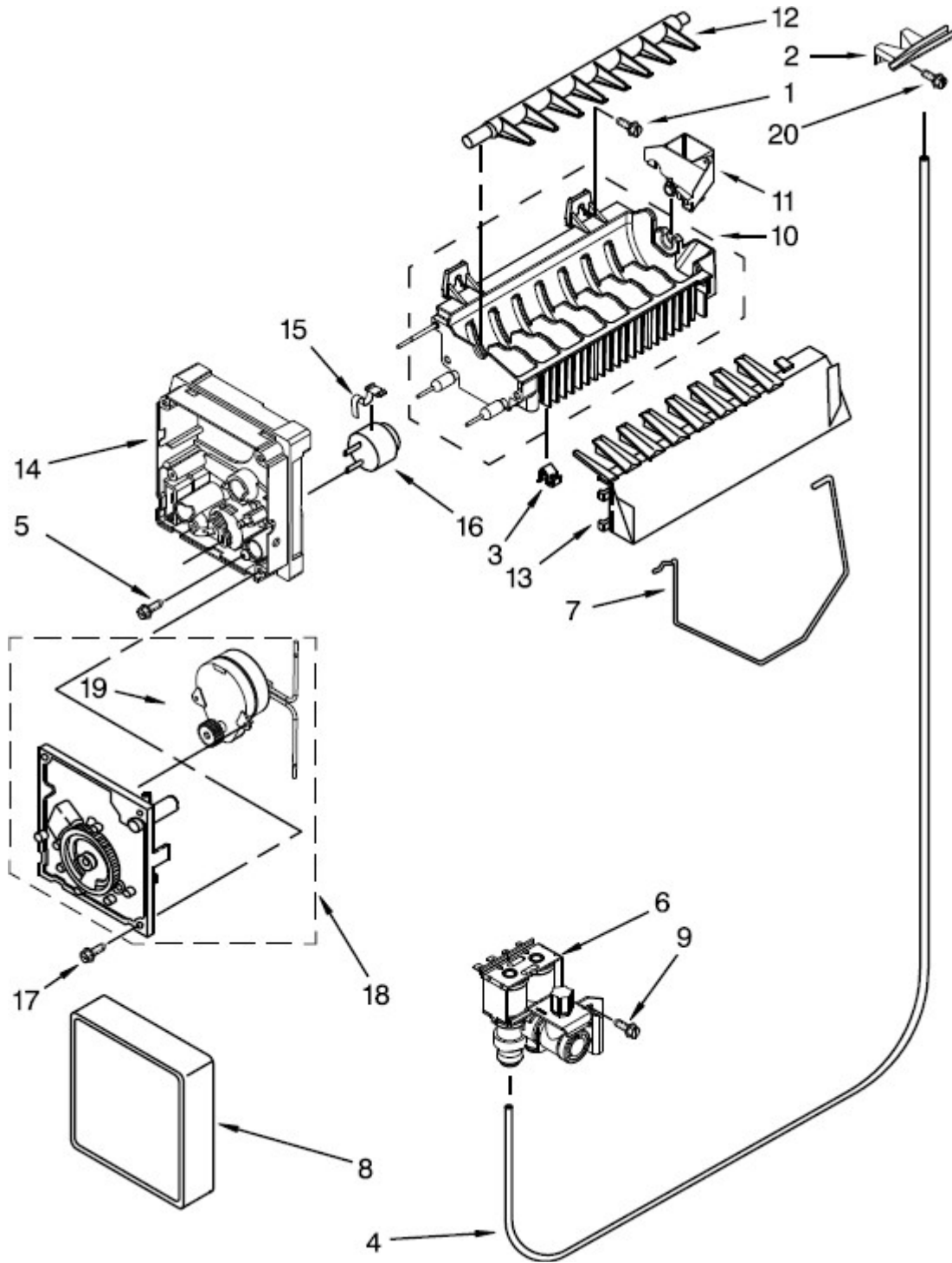
<u>No.</u>	<u>DESCRIPCIÓN</u>	<u>Cant.</u>	<u>No. de Parte</u>
1	Control Box	1	W10482525
2	Mounting Bracket	1	2311611
3	Screw	**	*****
4	Switch, Pluger	1	2219875
5	Screw	**	*****
6	Adaptative, Defrost Control	1	W10366605
7	Screw	**	*****
8	Washer, Spring	**	*****
9	Thermostat Assembly	1	W10583800
10	Knob, Thermostat	1	2311614
11	Cam Assembly	1	2182195
12	Bearing Body	1	1110560
13	Damper, Control	1	2196062
14	Pivot Arm	1	1110559
15	Knob, Control	1	2311615
16	Lens, Light	1	2200096
17	Tube, Barrier	1	2196001
18	LED Light Assembly,	1	2213462
19	Control Box Harness	1	W10354806
20	Clip, Wire	1	1115374
21	Screw	**	*****
22	Connecting Rod	1	2311631
23	Fastener, Push-On	**	*****



REFRIGERADOR WD5105D00

No. Ilus.	DESCRIPCIÓN	Cant.	No. de Parte
1	Strap, Bale	1	W10204187
2	Blade, Fan	1	12825802
3	Condenser Assembly	1	W10222348
4	Screw	**	*****
5	Clip, Wire	3	2326941
6	Screw	**	*****
7	Connector, Water Tube	1	W10271541
8	Sleeve, Pressure Switch Hose	1	2161302
9	Screw	**	*****
10	Tube, Suction	1	2205765
11	Clip, Condenser	2	2311725
12	Capacitor	1	W10350564
13	Tube, Process	**	*****
14	Start Device Combination (Start and Overload)	1	W10197427
15	Screw	**	*****
16	Evaporator, FC	1	2188823
17	Clip, Defrost Heater	2	2161324
18	Motor, Condenser	1	W10508362
19	Tray, Evaporator	1	W10614158
20	Heat Shield and Drain Pan	1	W10194475
21	Drier	1	W10177049
22	Screw	**	*****
23	Frame, Unit Mounting	1	W10123397
24	Unit, Harness	1	W10417916
25	Bracket, Fan Motor	1	2181929
26	Heater, Defrost	1	2188175
27	Clip, Defrost Heater	2	2161324
28	Compressor	1	W10321630
29	Grommet	4	10835903
30	Bolt	2	489340
31	Air Baffle	1	W10332806
32	Tie, Wire	1	2263990
33	Unit Cover, Bottom	1	W10466694
34	Clip	2	489396
35	Rail, Unit Mounting	1	W10196313

REFRIGERADOR WD5105D00



REFRIGERADOR WD5105D00

<u>No. Ilus.</u>	<u>DESCRIPCIÓN</u>	<u>Cant.</u>	<u>No. de Parte</u>
1	Screw	**	*****
2	Chute, Water	1	2209774
3	Clip, Thermal Fuse	1	628379
4	Tube, Water	1	W10357076
5	Screw	**	*****
6	Filter Valve Assembly	1	W10179146
7	Arm, Shutt Off	1	2304354
8	Cover, Icemaker	1	W10289690
9	Screw	**	*****
10	Assembly, Mold & Heater	1	W10300025
11	Cup-Water Fill	1	W10435665
12	Ejector, Arm	1	W10318914
13	Stripper, Ice	1	W10122563
14	Support	1	2195914
15	Retainer, Thermostat	2	2315522
16	Thermostat	1	2321258
17	Screw	**	*****
18	Assembly, Module	1	626691
19	Motor (No Servicable)	**	*****
20	Screw	**	*****
<u>Complete Icemaker Assembly</u>			<u>W10300022</u>