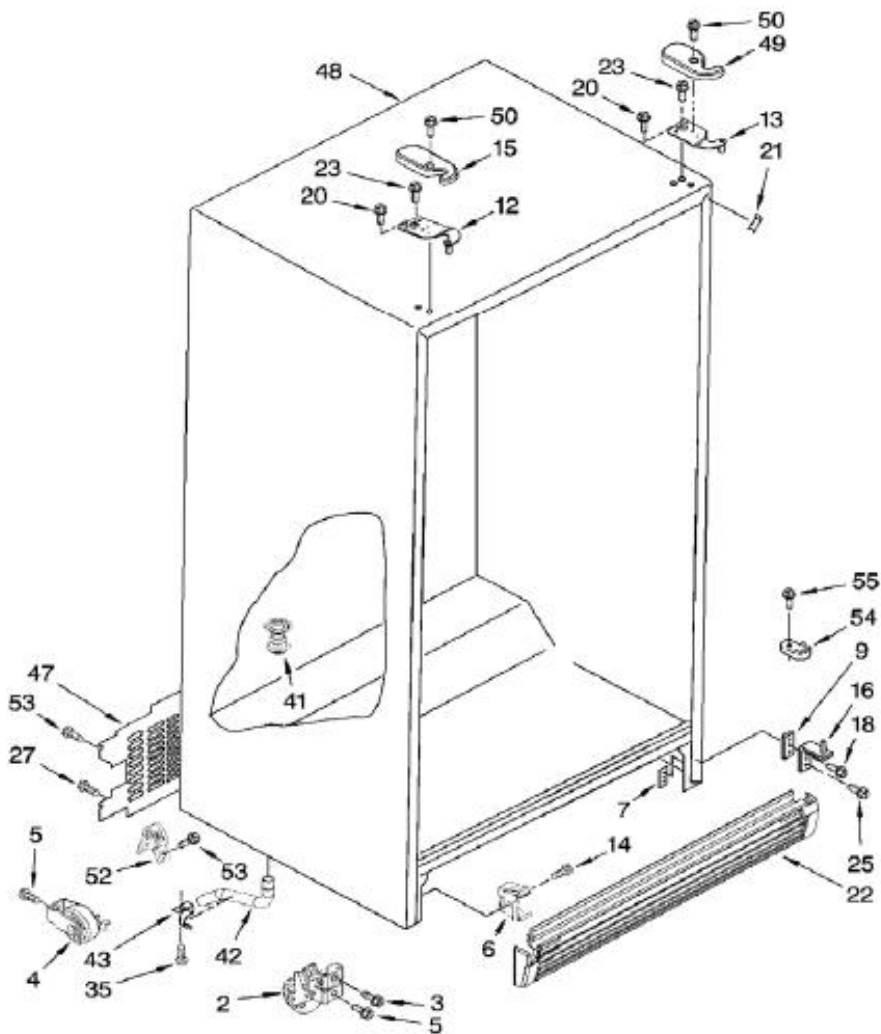


WD5350D00 CABINET

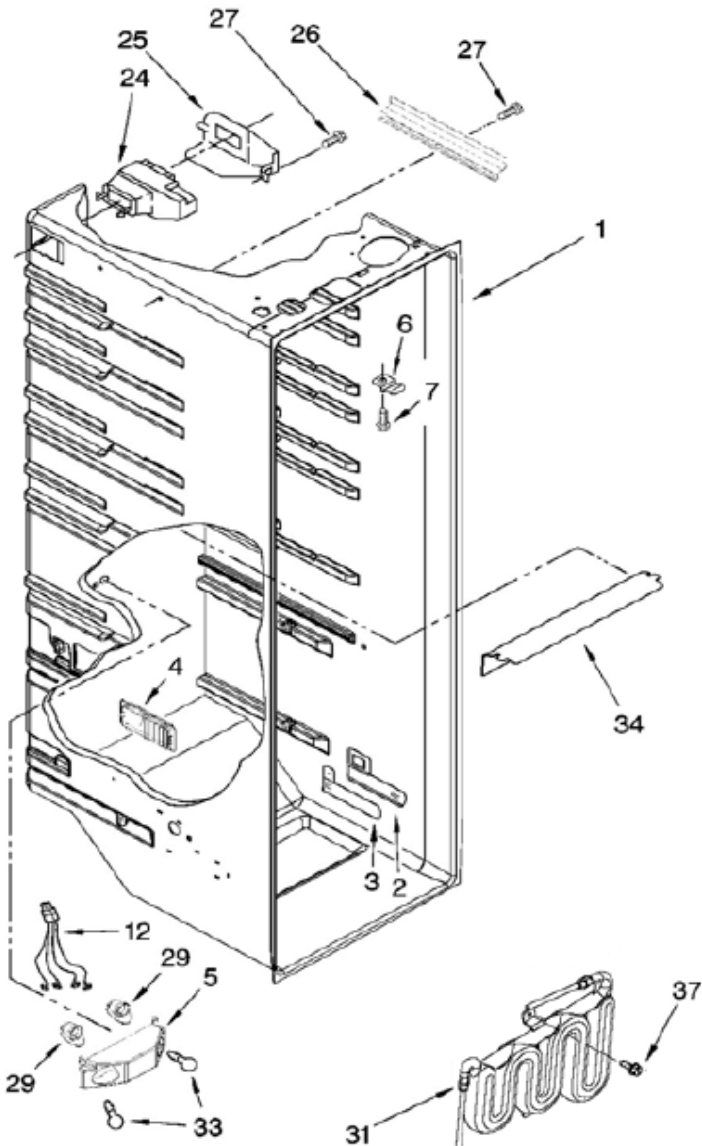




WD5350D00 CABINET

2	2174748	FRONT ROLLER
3	****	SCREW
4	W10250570	ROLLER (REAR)
5	****	SCREW
6	2155013	CLIP, GRILLE
7	2304249	PLATE, SCREW
9	****	SHIM
12	2203770	HINGE TOP (FC)
13	2203771	HINGE, TOP (RC)
14	****	SCREW
15	2203407B	HINGE COVER
16	W10251408	HINGE BOTTOM
18	****	SCREW
20	****	SCREW
21	W10283960	FILLER, WRAPPER
22	2198470B	GRILLE
23	****	SCREW
25	****	SCREW
27	****	SCREW
35	****	SCREW
41	2304888	DRAIN FITTING
42	W10153550	EXTENSION TUBE
43	****	CLIP, DRAIN TUBE
47	2220758	COVER, UNIT
48	****	CABINET (NOT A SERVICEABLE PART)
49	2203408B	HINGE COVER (WHITE)
50	****	SCREW
52	W10303628	CLAMP, SERVICE CORD
53	****	SCREW
54	2155311	DOOR CLOSER, LOWER CAM
55	****	SCREW

WD5350D00 REFRIGERATOR LINER

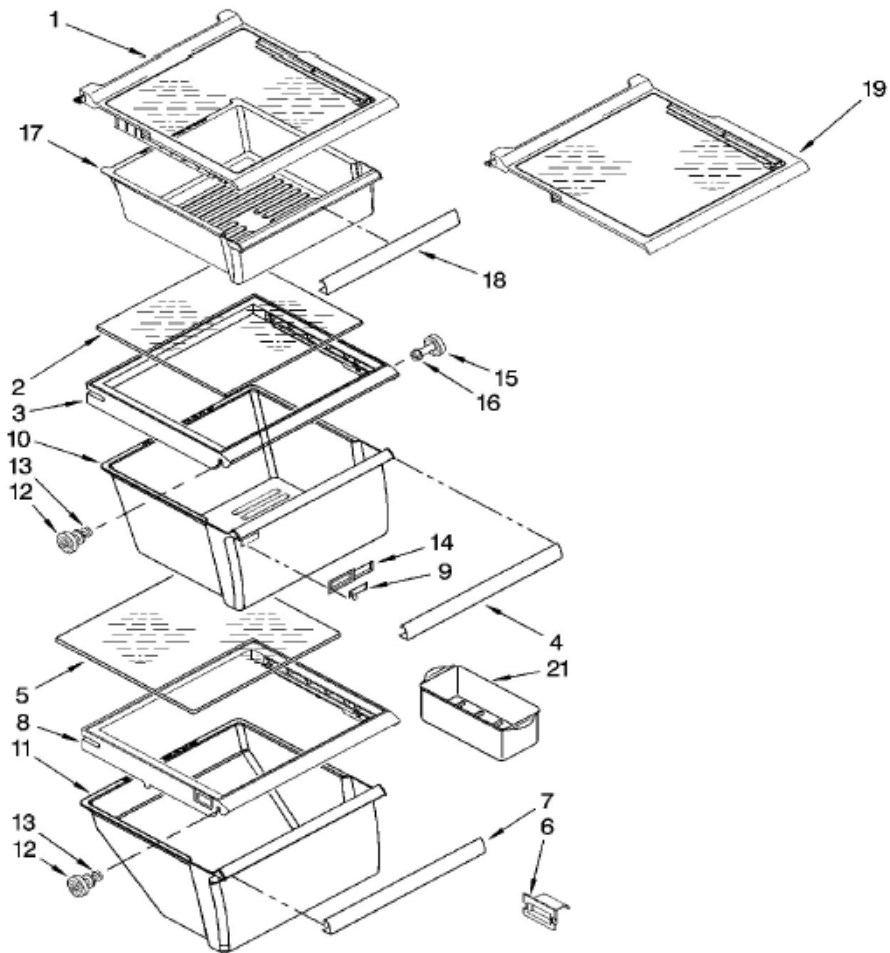




WD5350D00 REFRIGERATOR LINER

2	****	ESCUTCHEON, MEAT PAN CONTROL
3	****	SLIDE, MEAT PAN CONTROL
4	2257741	LOUVER
5	****	BRACKET, DUAL CRISPER LIGHT
6	2311612	CLIP
7	****	SCREW
12	****	WIRE HARNESS, CRISPER LIGHT
24	W10151374	AIR DIFFUSER ASSEMBLY
25	2152019	AIR DIFFUSER COVER
26	W10252495	COVER, CONDUIT
27	****	SCREW
29	2162085	SOCKET
31	W10204356	RESERVOIR
33	527949	LIGHT BULB
34	****	LIGHT LENS
37	****	SCREW

WD5350D00 REFRIGERATOR SHELF

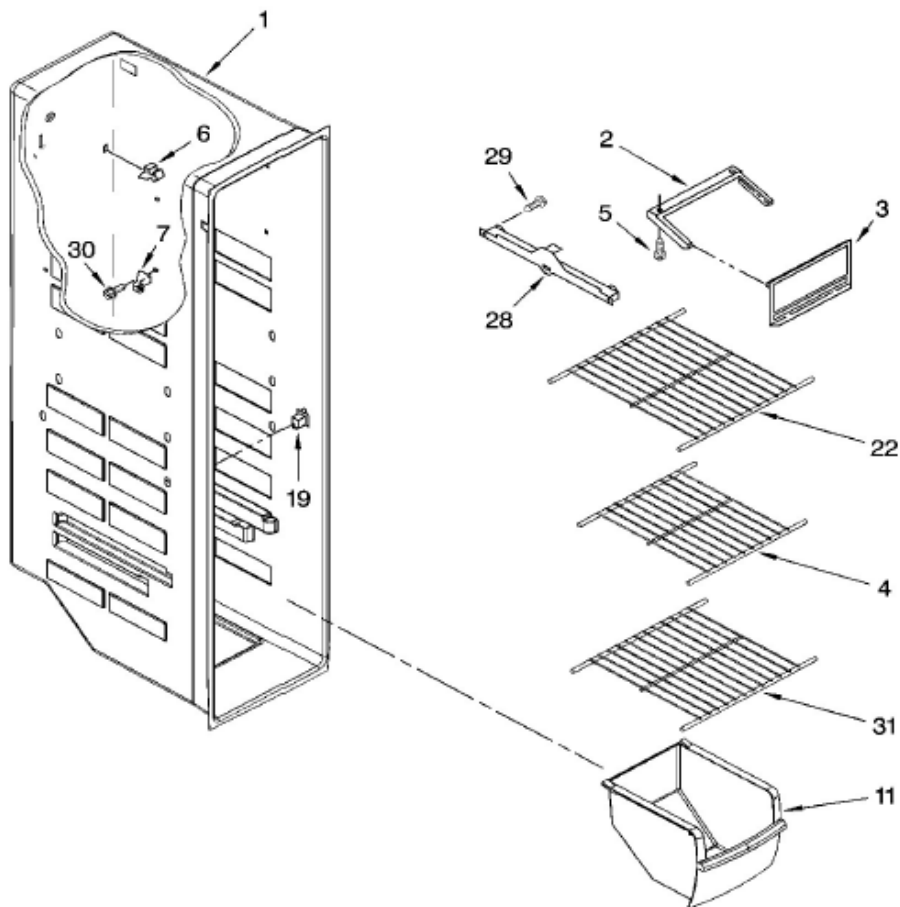




WD5350D00 REFRIGERATOR SHELF

1	****	SHELF, SNACK PAN
2	2179259	GLASS, COVER
3	2209698	COVER, CRISPER
4	****	TRIM, MEAT PAN
5	2179259	GLASS, COVER
6	****	DEFLECTOR
7	****	TRIM, CRISPER PAN
8	2209698	COVER, MEAT PAN
9	****	SLIDE, HUMIDITY CONTROL
10	2188654	MEAT PAN
11	2188653	CRISPER PAN
12	W10173127	STUD ASSEMBLY
13	****	SCREW
14	****	HOUSING, HUMIDITY CONTROL
15	W10173126	STUD ASSEMBLY
16	****	SCREW
17	****	SNACK PAN
18	****	TRIM, HANDLE
19	W10276348	SHELF ASSEMBLY, SPILLGUARD
21	****	EGG BIN

WD5350D00 FREEZER LINER

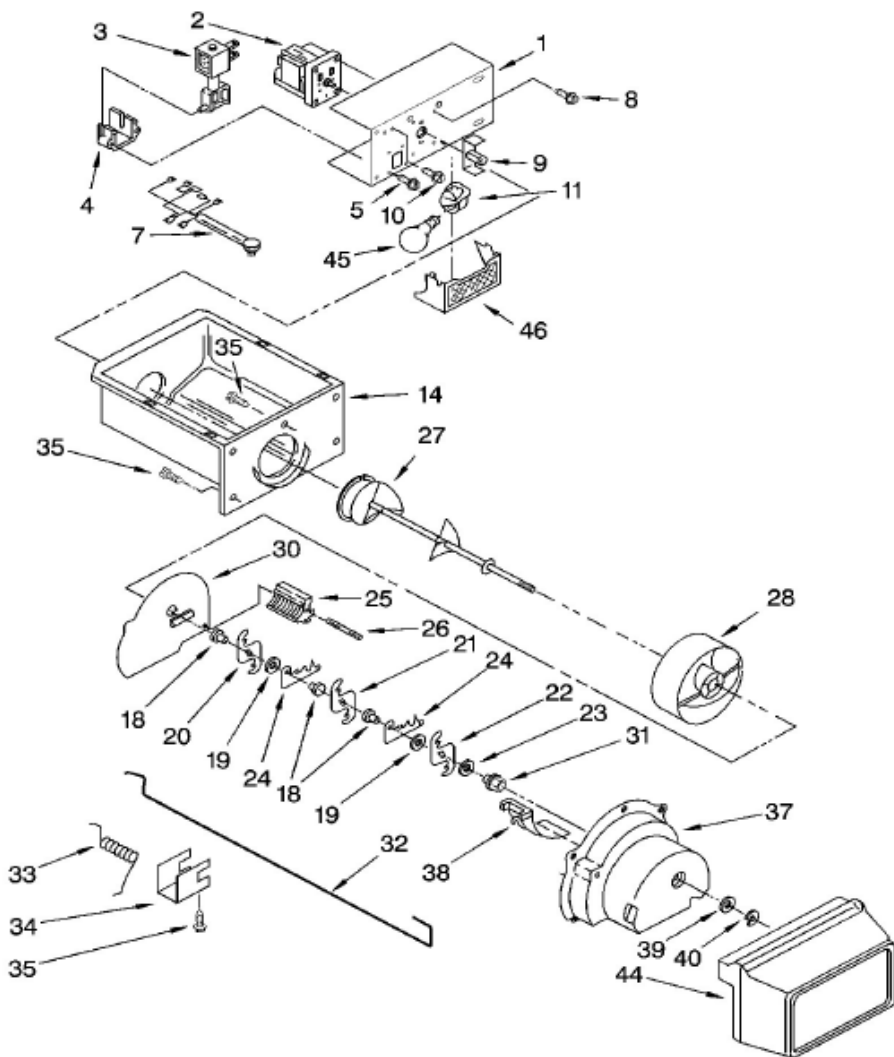




WD5350D00 FREEZER LINER

2	****	SLIDE, ICE DOOR
3	2171713	DOOR, ICE COMPARTMENT
4	****	SHELF, WIRE
5	****	SCREW
6	842534	CLIP, AIR DUCT (2)
7	2196206	SUPPORT, STUD (4)
11	2309757	FREEZER BIN
19	1115373	SWITCH, ROCKER ARM
22	W10276759	SHELF, WIRE
28	1119237	SLIDE, CONTAINER (LEFT SIDE)
	1119293	SLIDE, CONTAINER (RIGHT SIDE)
29	****	SCREW
30	****	SCREW
31	W10276762	SHELF, WIRE

**WD5350D00 MOTOR AND ICE
CONTAINER**



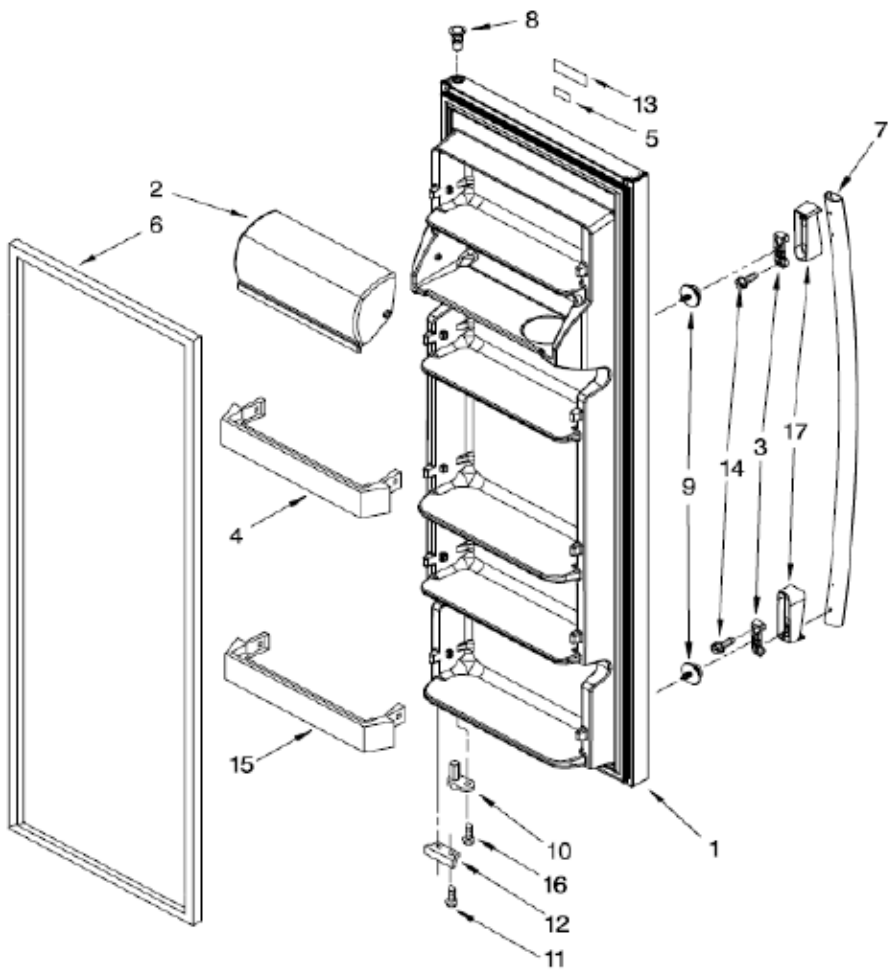


WD5350D00 MOTOR AND ICE CONTAINER

1	W10284485	BRACKET, MOTOR
2	W10181208	MOTOR, DISPENSER
3	2152713	SOLENIOD ASSEMBLY
4	2149100	GUIDE, SOLENOID
5	****	SCREW (2)
7	2325303	WIRING ASSEMBLY, ICE DISPENSER
8	****	SCREW (6)
9	W10169511	COUPLING, MOTOR
10	****	SCREW
11	2162085	SOCKET, LIGHT
14	2196091	ICE CONTAINER
18	1119005	SPACER, STEP (3)
19	1119007	SPACER, FLAT (2)
20	W10278731	BLADE, ROTARY
21	W10278732	BLADE, ROTARY
22	W10278733	BLADE, ROTARY
23	489235	WASHER, PLAIN
24	W10278727	BLADE, FIXED (2)
25	2157405	BLOCK, BLADE
26	489229	ROLL PIN
27	2196295	AUGER
28	2305377	DRUM
30	2171682	FLOATING BAFFLE
31	1119018	NUT, BEARING
32	2155231	CONTROL ARM
33	1119020	SPRING, RETURN
34	1119021	RETAINER CLIP, ROD
35	****	SCREW
37	2180348	HOUSING, CRUSHER
38	1119017	DEFLECTOR, ICE
39	489234	WASHER, PLAIN
40	489236	RETAINER RING
44	2204321	FRONT COVER, ICE CONTAINER

45	527949	LIGHT BULB
46	2171706	LIGHT LENS, DISPENSER
100	W10192856	ICE CONTAINER (COMPLETE)

WD5350D00 REFRIGERATOR DOOR

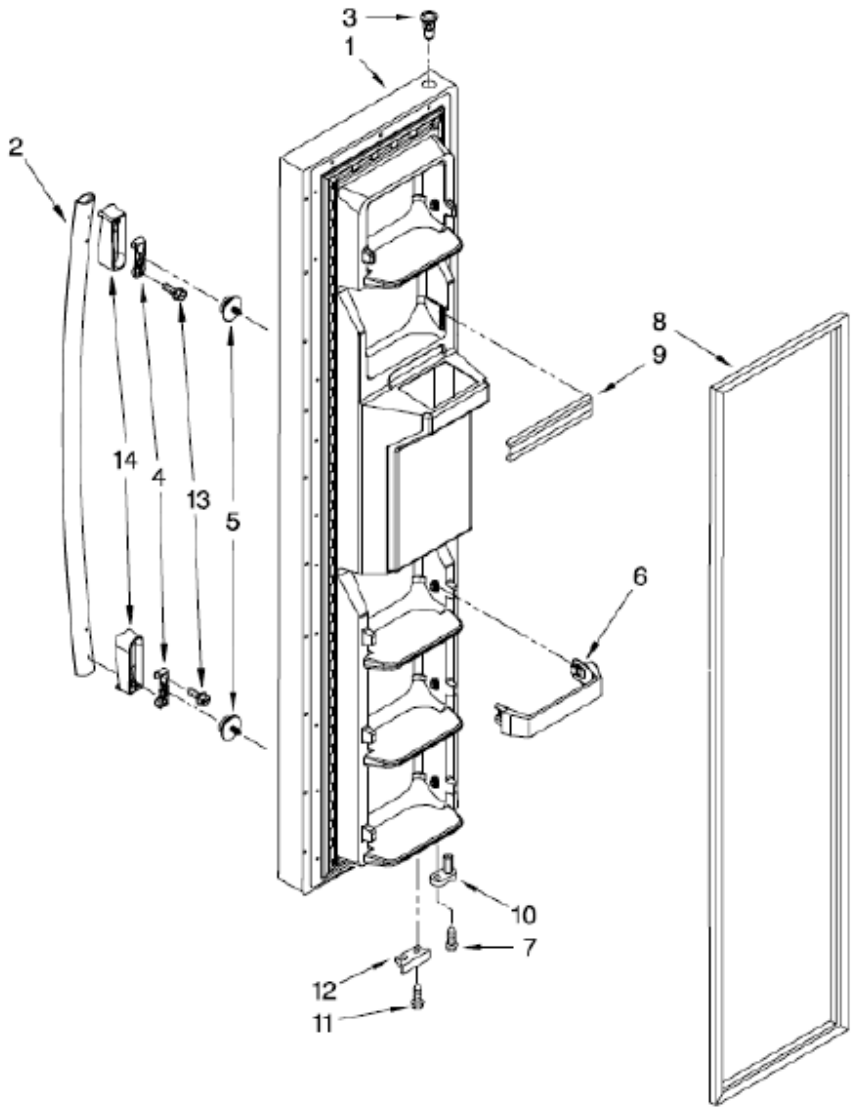




WD5350D00 REFRIGERATOR DOOR

1	W10314868	PUERTA ENSAMBLE REFRIGERADOR
2	2256101	COMPARTIMIENTO DE UTILIDAD
3	2255411	CLIP
4	2309719	BARANDILLA INTEGRA RC
5	****	NAMEPLATE
6	2309529	GASKET DEL REFRIGERADOR
7	W10257118	JALADERA
8	2308091	THIMBLE TOP
9	****	SCREW
10	W10251408	BISAGRA INFERIOR
11	****	SCREW
12	W10185570	BRACKET DOOR STOP
13	2262218	NAMEPLATE
14	****	SCREW
15	2309941	BARANDILLA INTEGRA RC
16	****	SCREW
16	W10127772	ENDCAP JALADERAS

WD5350D00 FREEZER DOOR

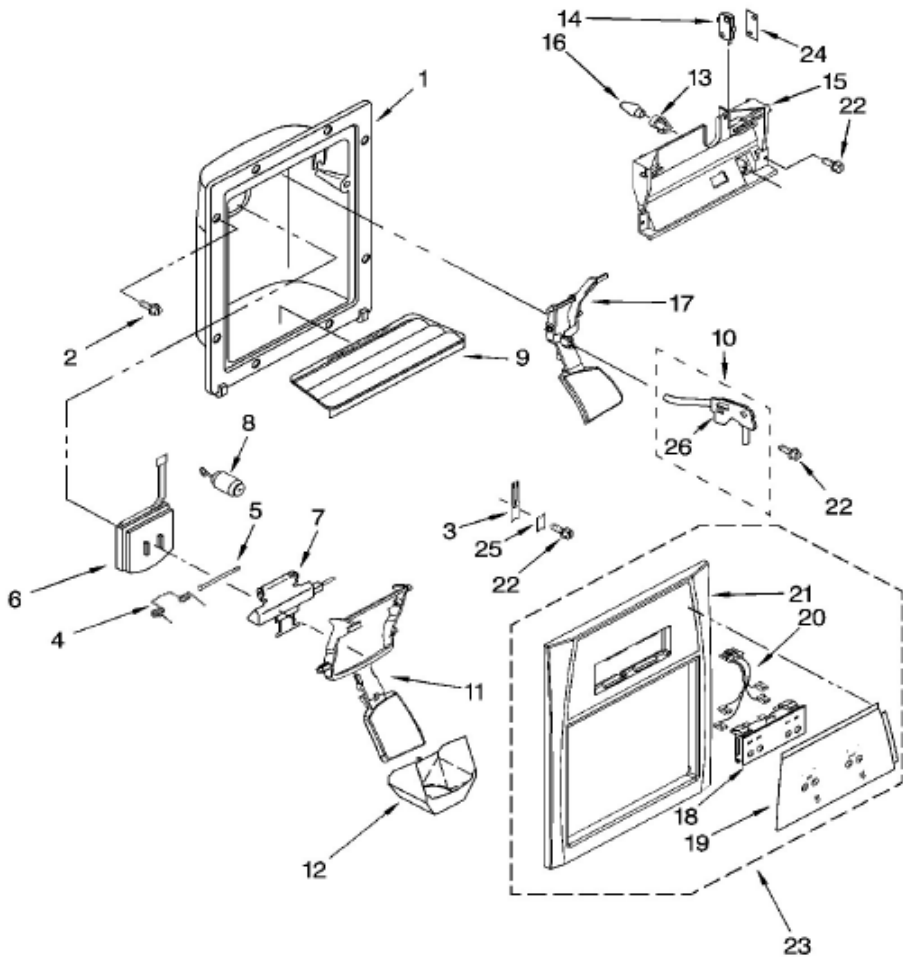




WD5350D00 FREEZER DOOR

1	W10314971	FREEZER DOOR (INCLUDES ITEM 8 AND DISPENSER)
2	W10257118	JALADERA
3	2182181	THIMBLE-TOP
4	2255411	CLIP
5	****	SCREW
6	2309718	BARANDILLA INTEGRA FC
7	****	SCREW
8	2309533	DOOR GASKET, MAGNETIC (BLACK)
9	2309718	BARANDILLA FC
10	2182179	DOOR CLOSER, UPPER CAM
11	****	SCREW
12	W10185566	BRACKET, DOOR STOP (BLACK)
13	****	SCREW
14	W10127772	ENDCAP JALADERAS

WD5350D00 DISPENSER FRONT





WD5350D00 DISPENSER FRONT

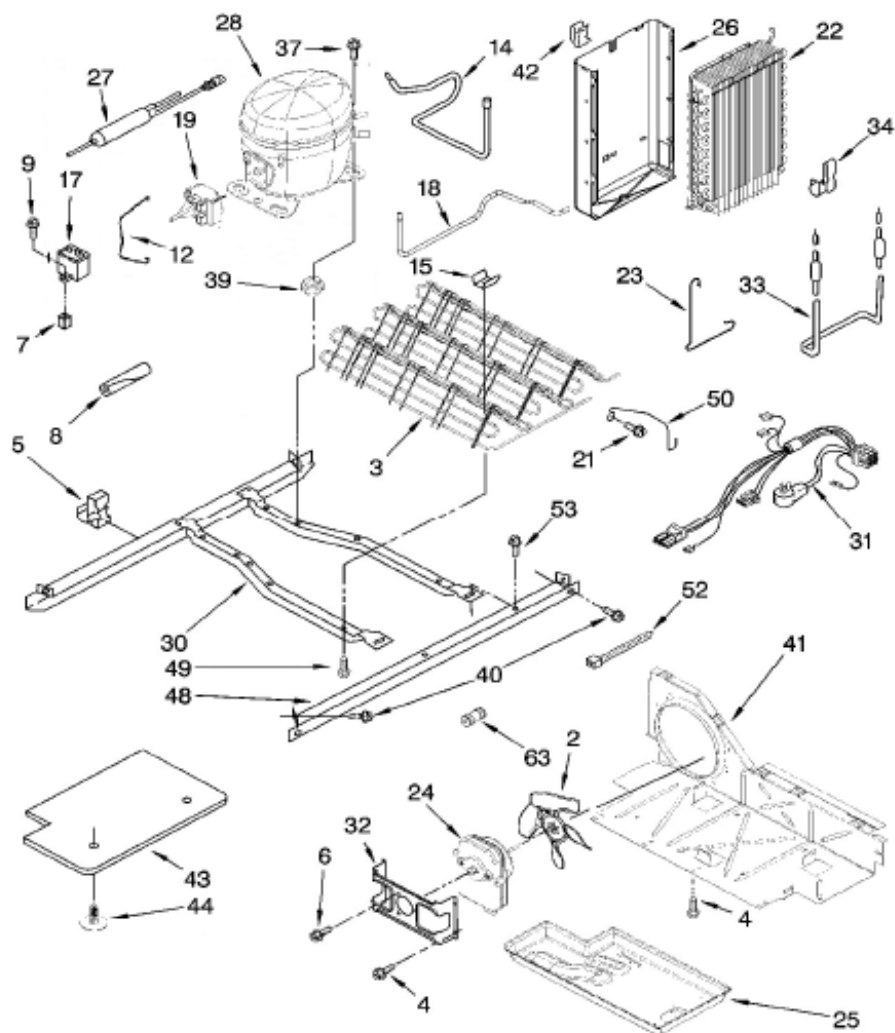
1	****	HOUSING, DISPENSER (NOT SERVICED)
2	****	SCREW
3	2194719	RETAINER, LEVERS
4	2304772	SPRING, TORSION
5	2196195	PIN
6	2180353	DOOR, ICE
7	2304355	DOOR MECHANISM ASSEMBLY
8	2205686	MECHANISM DELAY
9	2206670B	GRILLE, OVERFLOW
10	W10133007	WATER FITTING ASSEMBLY (INCLUDES WATER TUBE)
11	2255431B	LEVER, ICE DISPENSER (BLACK)
12	2180224	GUIDE, ICE
13	2180200	LAMP HOLDER
14	2162361	SWITCH
15	2180226	BRACKET, CONTROL
16	3406124	BULB, LIGHT
17	2255432B	LEVER, WATER DISPENSER
18	2180279	SWITCH ASSEMBLY (NOT AVAILABLE ORDER 23)
19	W10150024	OVERLAY, FRONT COVER (ORDER 23)
20	W10281336	WIRE ASSEMBLY
21	2207250B	FRONT COVER, HOUSING (ORDER 23)
22	****	SCREW
23	2311690B	FRONT COVER ASSEMBLY (INCL. 18, 19, 20 & 21)
24	625834	SPACER, SWITCH
25	2195051	STRAIN RELIEF
26	2304673	BRACKET, DISPENSER

Distribuidor Autorizado

SurteRápido.com

Venta de Refacciones
Electrodomesticas

WD5350D00 UNIT



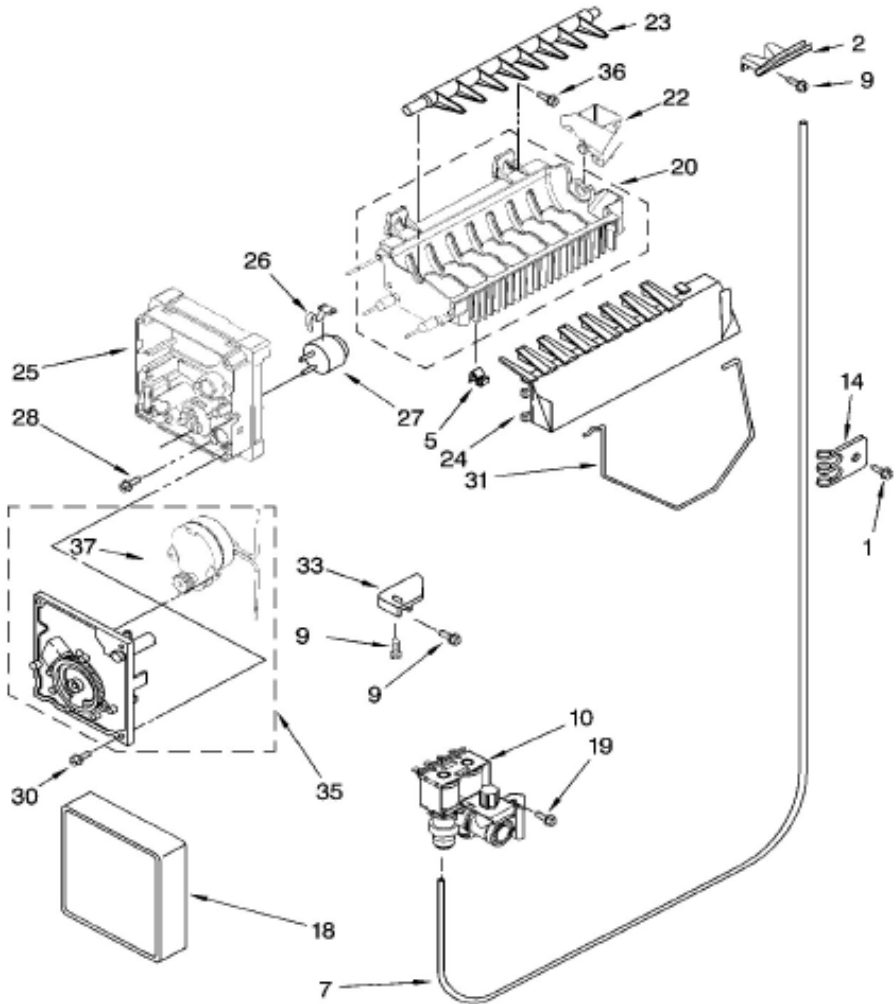


WD5350D00 UNIT

2	12825802	FAN, BLADE
3	W10197430	CONDENSER ASSEMBLY
4	****	SCREW
5	2208280	CLIP, WIRE
6	****	SCREW (2)
7	****	GROMMET
8	2161302	SLEEVE
9	****	SCREW
12	W10174383	STRAP BALE
14	W10210786	TUBE SUCTION
15	2311725	CLIP, CONDENSER(2)
17	2264017	CAPACITOR (PRODUCTION)
18	W10171238	TUBE, PROCESS COMPRESOR
19	2304884	START COMBO DEVICE
21	****	SCREW
22	2188823	EVAPORATOR
23	2161324	CLAMP
24	2188874	FAN, MOTOR
25	1105523	TRAY, EVAPORATOR
26	W10194475	HEAT SHIELD
27	W10177049	DRIER (PRODUCTION)
28	W10306337	COMPRESSOR
30	W10196321	UNIT MOUNTING FRAME
31	2187783	UNIT, HARNESS (INCLUDES POWER CORD)
32	2181929	FAN, MOTOR BRACKET
33	2188175	HEATER, DEFROST
34	2161324	CLIP (2)
37	****	SCREW (4)
39	2183042	GROMMET (4) (PRODUCTION)
40	****	SCREW
41	W10196306	AIR BAFFLE
42	2155547	CLIP, HEAT SHIELD
43	2304899	UNIT COVER, BOTTOM

44	489396	CLIP
48	W10196313	UNIT MOUNTING RAIL
49	****	SCREW
50	1110663	GUARD, FAN
52	2263990	STRAP
53	****	SCREW
63	****	UNION

WD5350D00 ICE MAKER

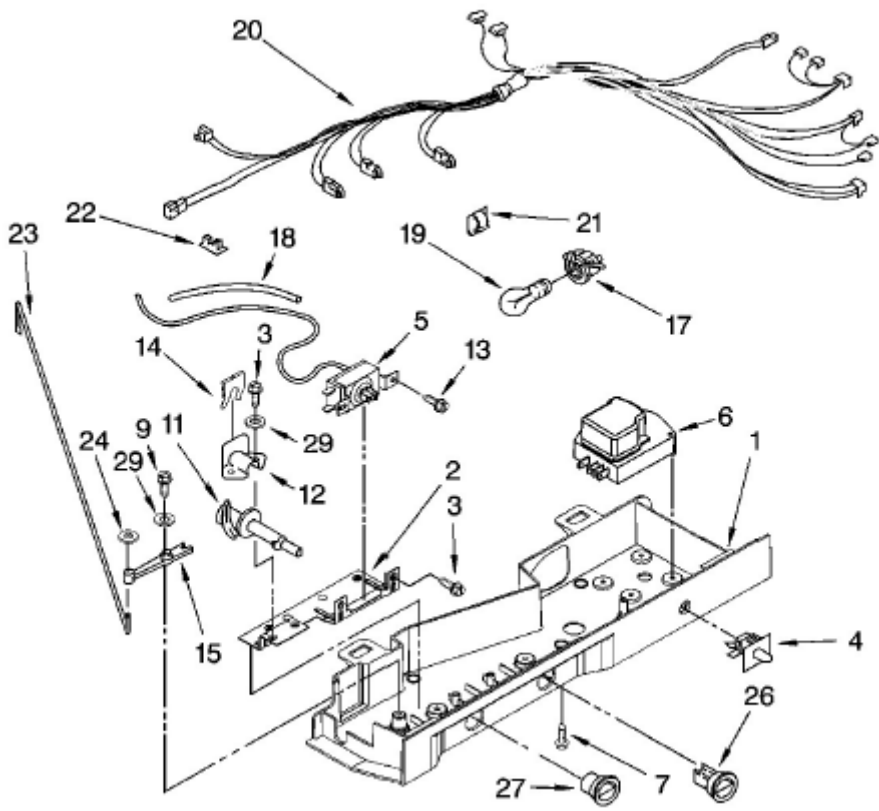




WD5350D00 ICE MAKER

1	****	SCREW
2	2209774	CHUTE, WATER
5	628379	CLIP, FUSE
7	2223137	TUBE, WATER
9	****	SCREW
10	2188778	FILTER VALVE ASM
14	489385	TUBE CLIP
18	W10289690	COVER
19	****	SCREW (2)
20	628407	MOLD & HEATER ASSEMBLY
22	W10122561	CUP, WATER FILL
23	627843	EJECTOR
24	W10122563	ICE STRIPER
25	2195914	SUPPORT
26	2315522	RETAINER, THERMOSTAT
27	628397	THERMOSTAT (542369 CEMENT ALUMILASTIC)
28	****	SCREW
30	****	SCREW
31	2304354	SHUT OFF ARM
33	****	BRACKET
35	626691	MODULE ASSEMBLY
36	****	SCREW
37	626683	MOTOR
100	W10190969	COMPLETE ICEMAKER ASSEMBLY

WD5350D00 CONTROL

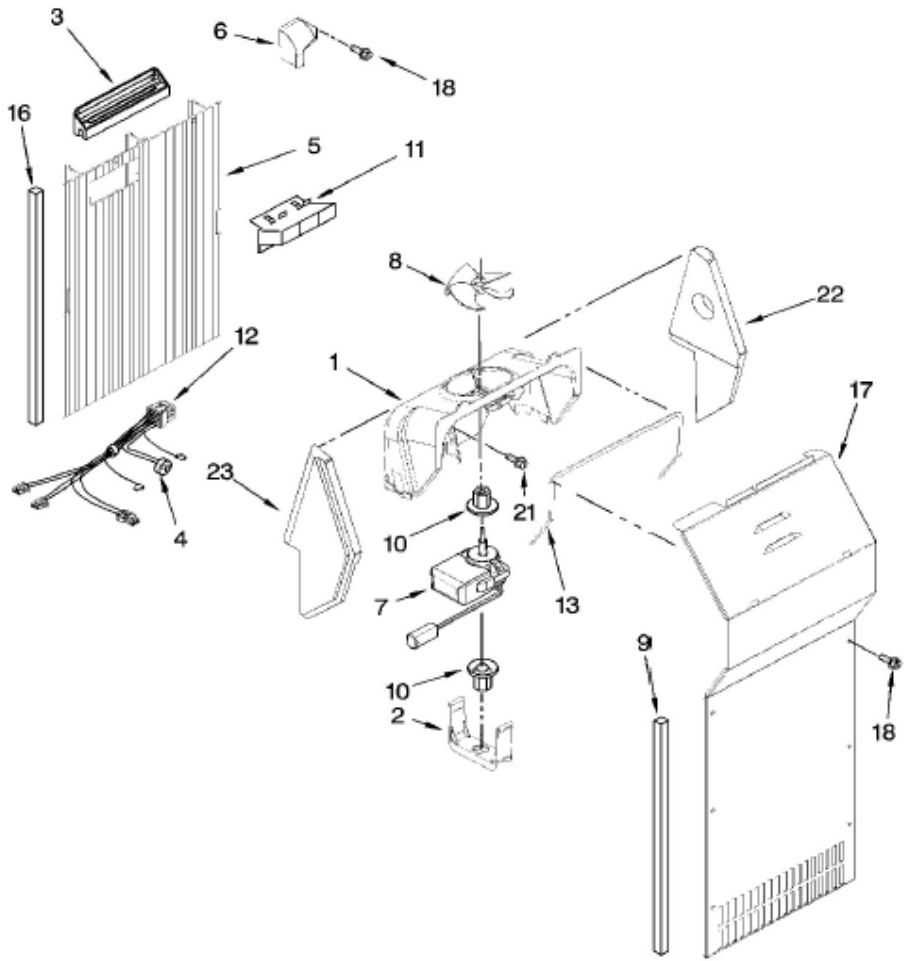




WD5350D00 CONTROL

1	2311619	CONTROL BOX
2	2311611	MOUNTING BRACKET
3	****	SCREW
4	2219875	LIGHT SWITCH
5	2198202	THERMOSTAT
6	482493	TIMER DEFROST CONTROL
7	****	SCREW (2)
9	****	SCREW
11	2182195	CAM ASSEMBLY
12	1110560	BEARING BODY
13	****	SCREW (2)
14	2196062	DAMPER CONTROL
15	1110559	PIVOT ARM
17	2162085	LIGHT SOCKET
18	2196001	BARRIER TUBE, THERMOSTAT
19	527949	LIGHT BULB
20	2311636	CONTROL BOX HARNESS
21	1115374	CLIP, WIRING
22	1115374	CLIP, WIRING
23	2311631	CONNECTING ROD
24	489285	FASTENER, PUSH-ON
26	2311614	THERMOSTAT KNOB
27	2311615	CONTROL KNOB
29	489203	SPRING WASHER

WD5350D00 AIR FLOW





WD5350D00 AIR FLOW

1	2182120	FAN SCROLL
2	2155590	RETAINER, FAN MOTOR
3	****	DIFFUSER, AIR DUCT
4	2321799	BI-METAL, DEFROST
5	W10166222	AIR DUCT FREEZER
6	W10166222	AIR SCOOP
7	W10131845	FAN MOTOR
8	2169142	FAN BLADE
9	2304241	GASKET, EVAPORATOR COVER (2)
10	2176759	FAN GROMMET (2)
11	W10166222	DUCT, ICEMAKER
12	W10281330	HARNESS, FAN EVAPORATOR (INCLUDES 4)
13	2155789	GASKET, FAN SCROLL
16	W10252477	GASKET
17	W10194476	COVER, EVAPORATOR (INCLUDES 9)
18	****	SCREW (6)
21	****	SCREW
22	2203595	SUPPORT, R.S
23	2203596	SUPPORT, L.S