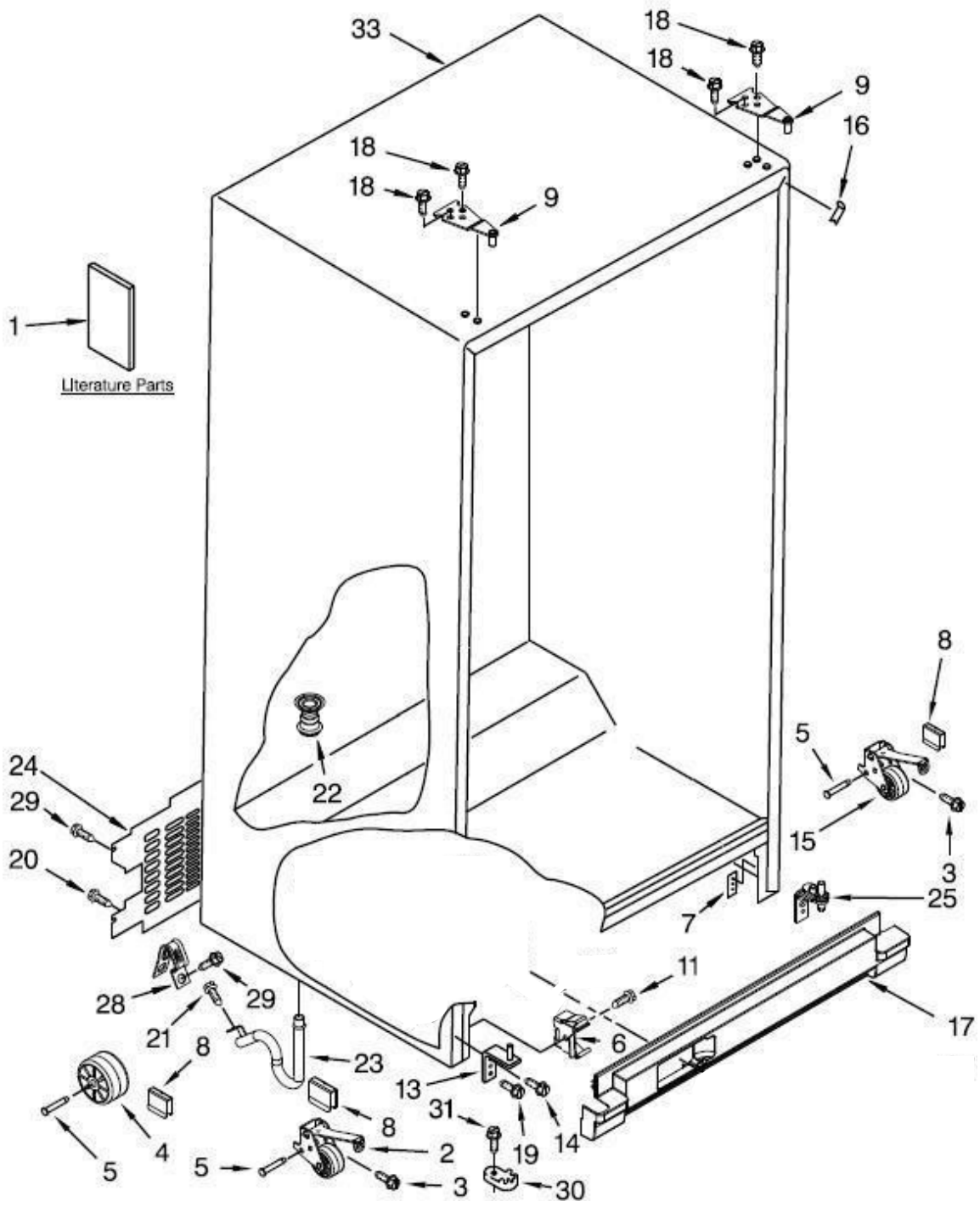


EXPLOSIONADO DE PARTES
— REFRIGERADOR DÚPLEX —

MODELO | WD5505S00



REFRIGERADOR WD5505S00



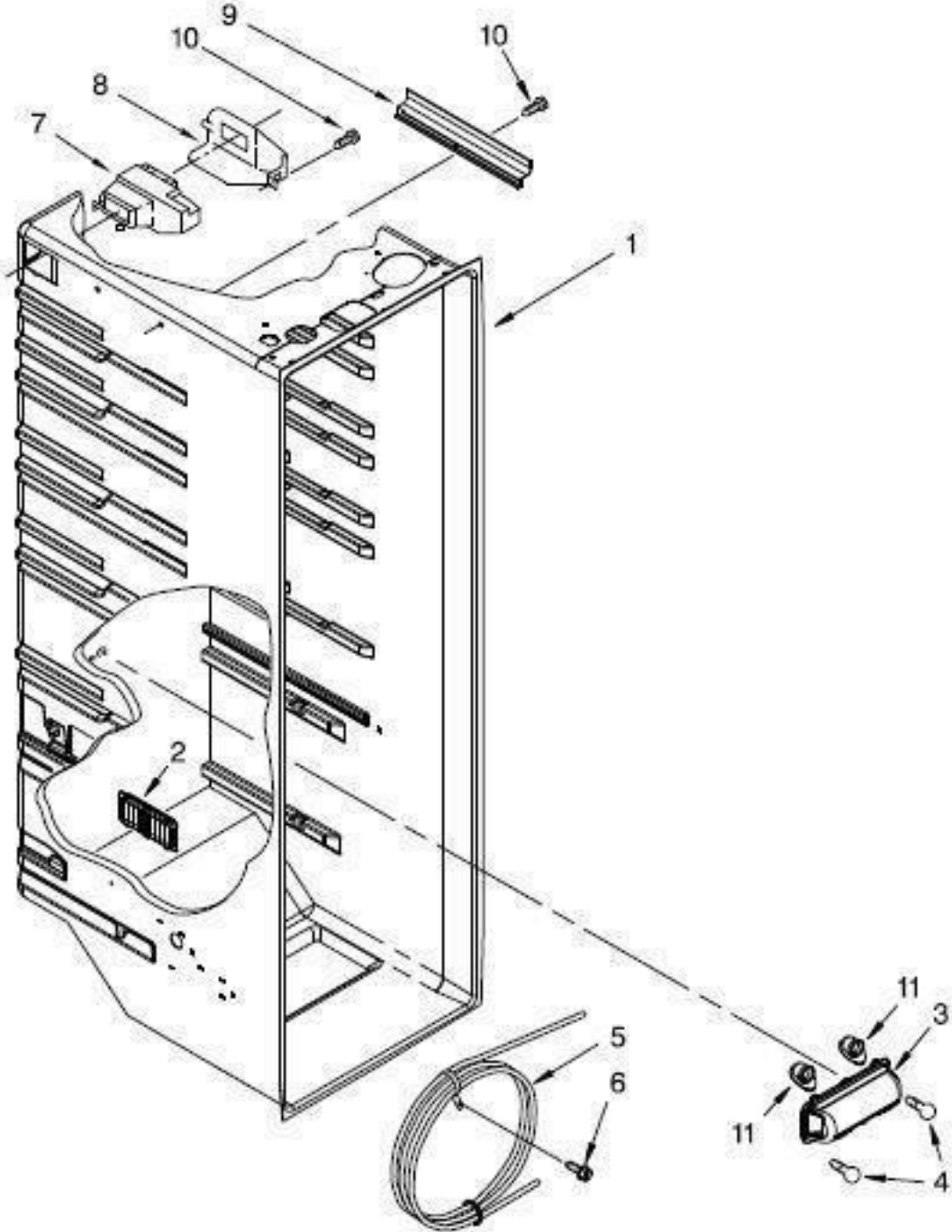
Color: Acero Inoxidable **Capacidad:** 25 pies

No.	DESCRIPCIÓN	Cant.	No. de Parte
1	Literature Parts	**	*****
2	Roller	1	W10304660
3	Screw	**	*****
4	Roller	1	W10475495
5	Axle, Roller	1	2179826
6	Clip, Grille	2	2155013
7	Plate, Screw	1	2304249
8	Clip, Roller	1	2174706
9	Top Hinge	2	W10704884
10	Screw	**	*****
11	Screw	**	*****
13	Hinge, Bottom FC	1	W10414753
14	Screw	**	*****
15	Front Roller Right	1	W10304659
16	Filler, Wrapper	2	W10283960
17	Grille	1	W10723725
18	Screw, Hinge	**	*****
19	Screw	**	*****
20	Screw	**	*****
21	Screw	**	*****
22	Drain Fitting	1	2304888
23	Extension, Drain Fitting	1	W10153550
24	Cover Unit	1	2220758
25	Hinge, Bottom RC	1	W10714071
28	Clamp, Power Cord	1	W10303628
29	Screw	**	*****
30	Door Closer, Freezer	1	2223751
31	Screw	**	*****
33	Cabinet (No Serviciable)	**	*****



REFRIGERADOR WD5505S00

Color: Acero Inoxidable Capacidad: 25 pies



BENITO JUÁREZ #1500 GPE ZITON, CD. GUADALUPE NUEVO LEÓN TEL: 8183377999 Y 49HORARIOS:
LUNES A VIERNES 8:30 A 6:00 PM Y SÁBADOS DE 8:30 A 2:00 PM

www.denek.com

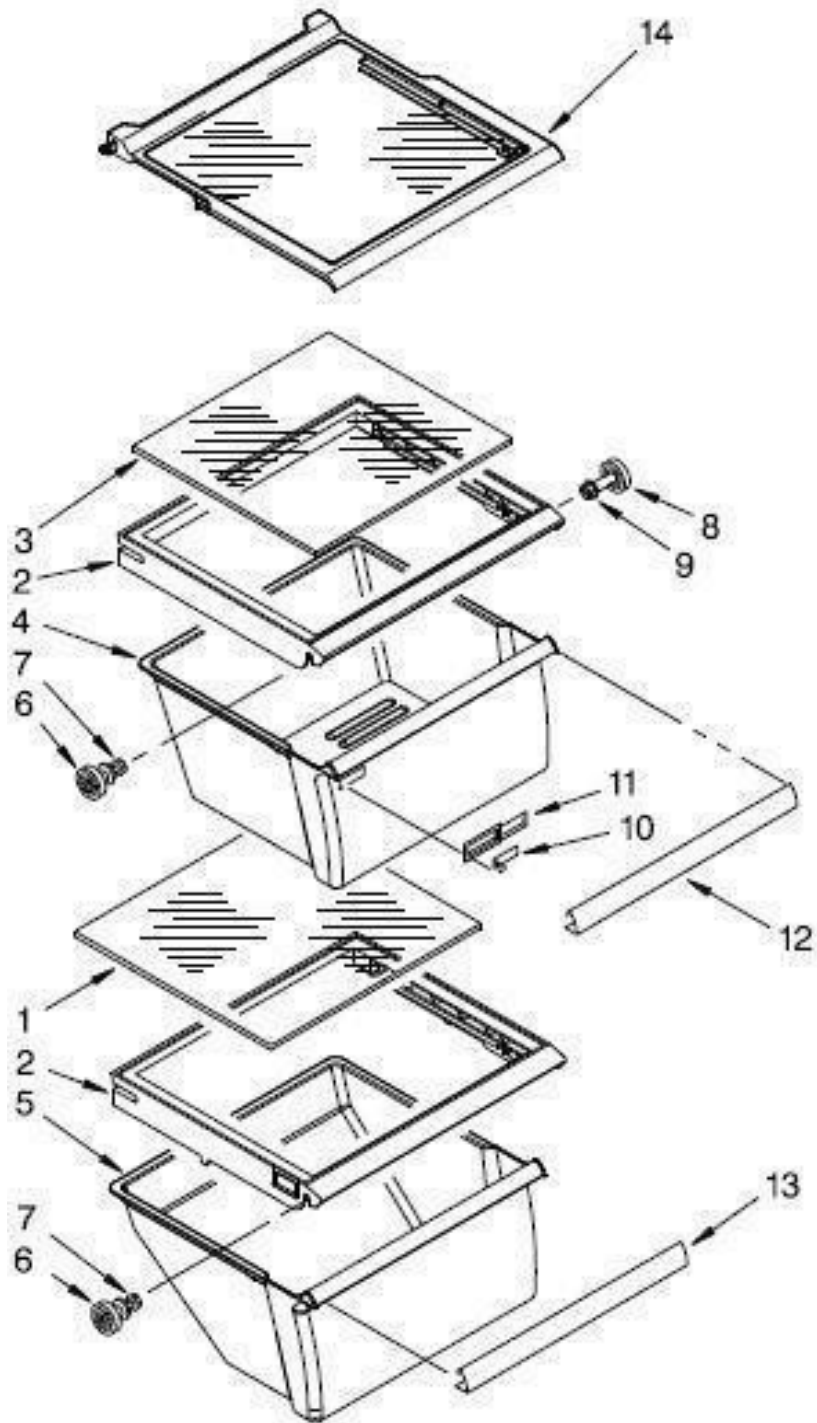


REFRIGERADOR WD5505S00

Color: Acero Inoxidable **Capacidad:** 25 pies

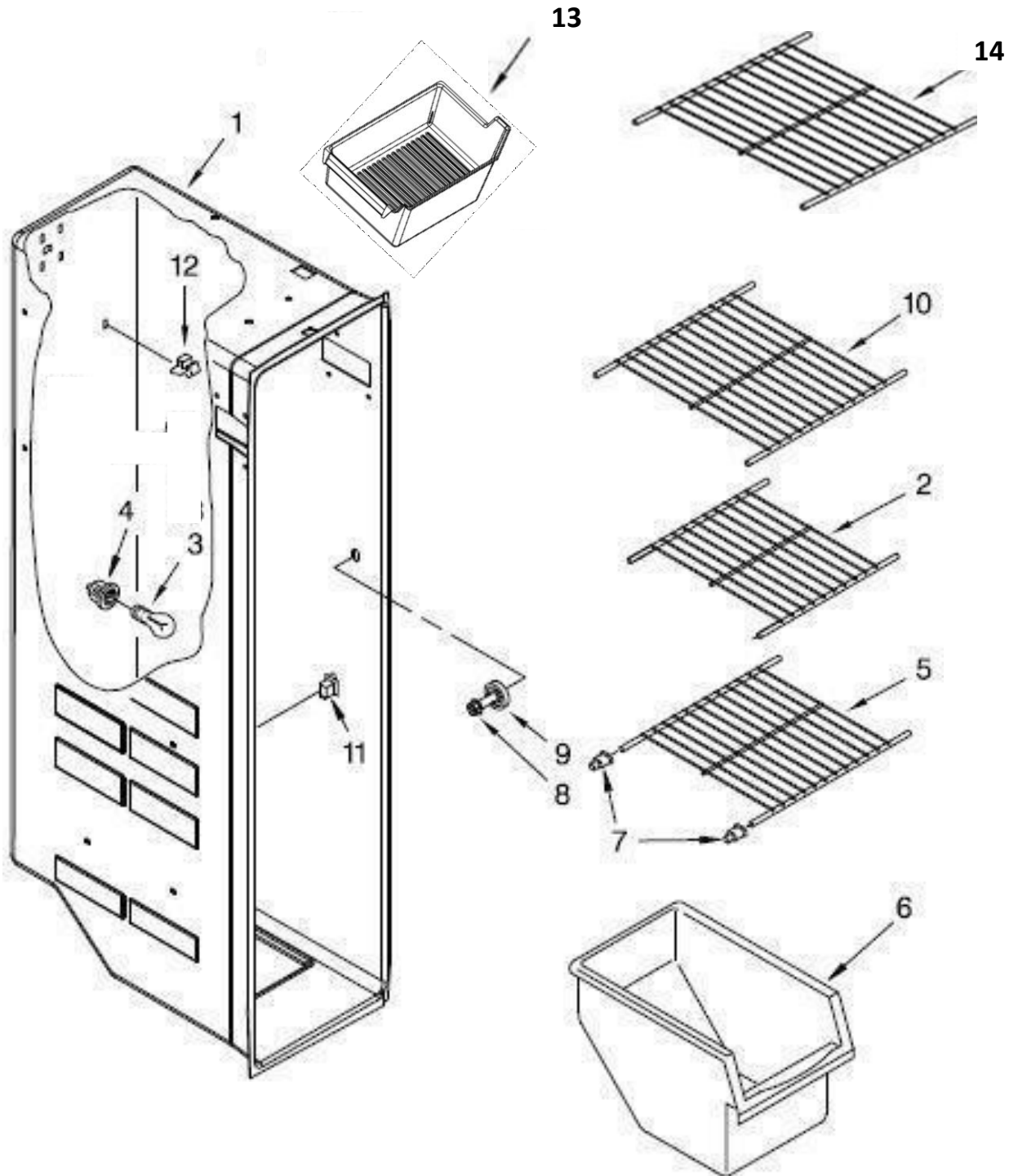
No.

<u>Ilus.</u>	<u>DESCRIPCIÓN</u>	<u>Cant.</u>	<u>No. de Parte</u>
1	Liner (No Serviciable)	**	*****
2	Louver	1	8201651
3	Light Lens	1	W10166130
4	Bulb, Light	1	W10311505
5	Reservoir	1	W10276792
6	Screw	**	*****
7	Air Diffuser Assembly	1	W10151374
8	Cover, Air Diffuser	1	2152019
9	Cover, Wiring	1	W10252495
10	Screw	**	*****



Color: Acero Inoxidable **Capacidad:** 25 pies**No.**

<u>Ilus.</u>	<u>DESCRIPCIÓN</u>	<u>Cant.</u>	<u>No. de Parte</u>
1	Glass, Cover	1	2179259
2	Cover, Crisper	2	W10508993
3	Glass, Cover	1	2179259
4	Crisper, Pan	1	2188656
5	Pan, Meat	1	2188664
6	Stud, Assembly	2	2196485
7	Screw	**	*****
8	Stud Assembly	1	W10173127
9	Screw	**	*****
10	Slide, Humidity Control	1	2179342
11	Body, Humidity Control	1	2179343
14	Shelf Assembly, Spillguard	1	W10276348





LINER (CONGELADOR)

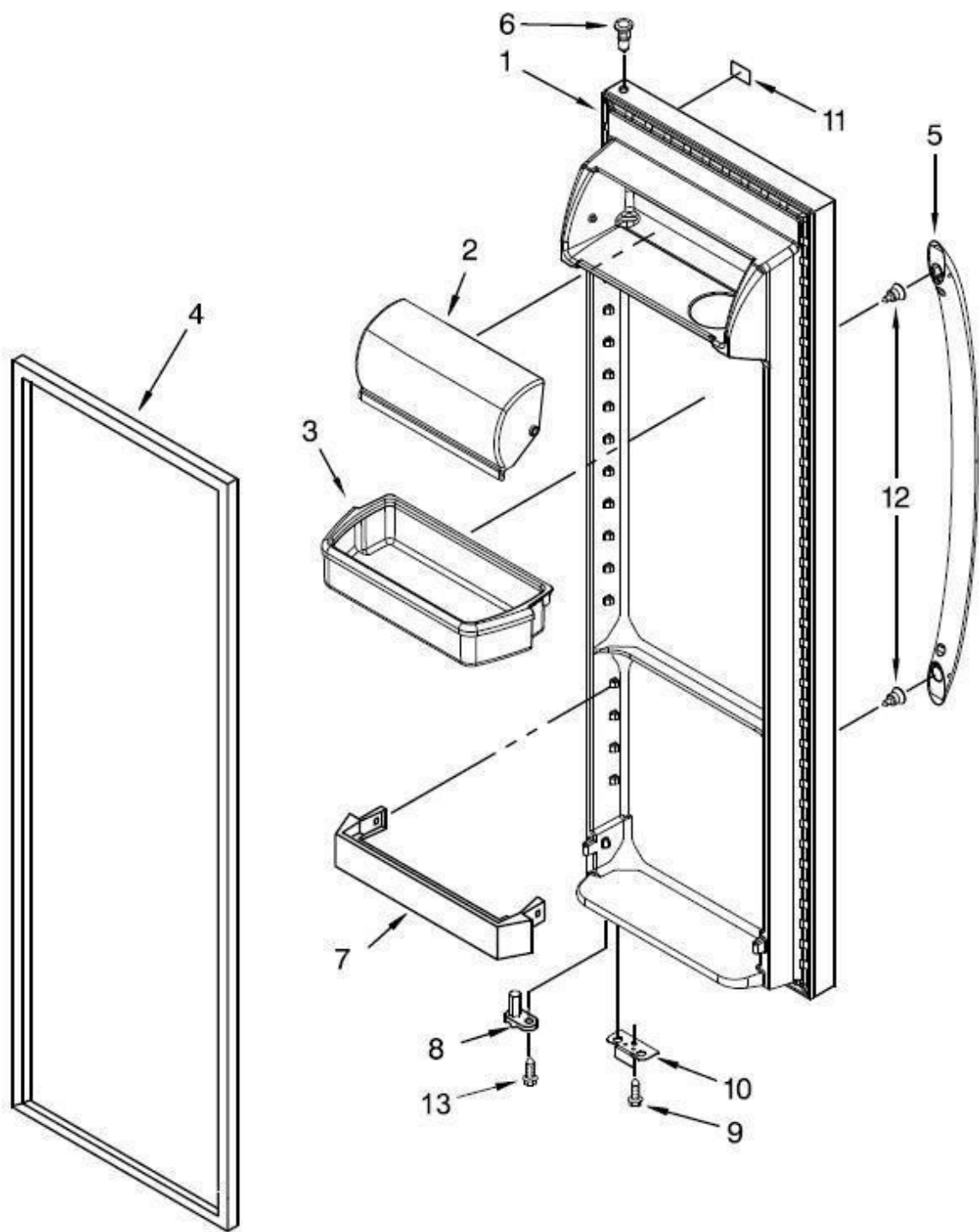
Modelo: WD5505S00

Color: Acero Inoxidable Capacidad: 25 pies

No.			
Ilus.	DESCRIPCIÓN	Cant.	No. de Parte
1	Liner (No Serviciable)	**	*****
2	Shelf, Wire	1	W10318961
3	Bulb, Light	1	W10311505
4	Socket, Light	1	4387478
5	Shelf, Wire	1	W10318945
6	Freezer Bin	1	W10144409
7	Cup, Shelf	12	W10130299
8	Screw	**	*****
9	Stud Assembly	1	W10173127
10	Shelf, Wire	1	W10318948
11	Switch, Rocker Arm	1	12466114
12	Clip, Air Duct	2	2315163
13	Ice Cube Pan	1	2166261
14	Shelf, Wire FC	1	W10318947



REFRIGERADOR WD5505S00

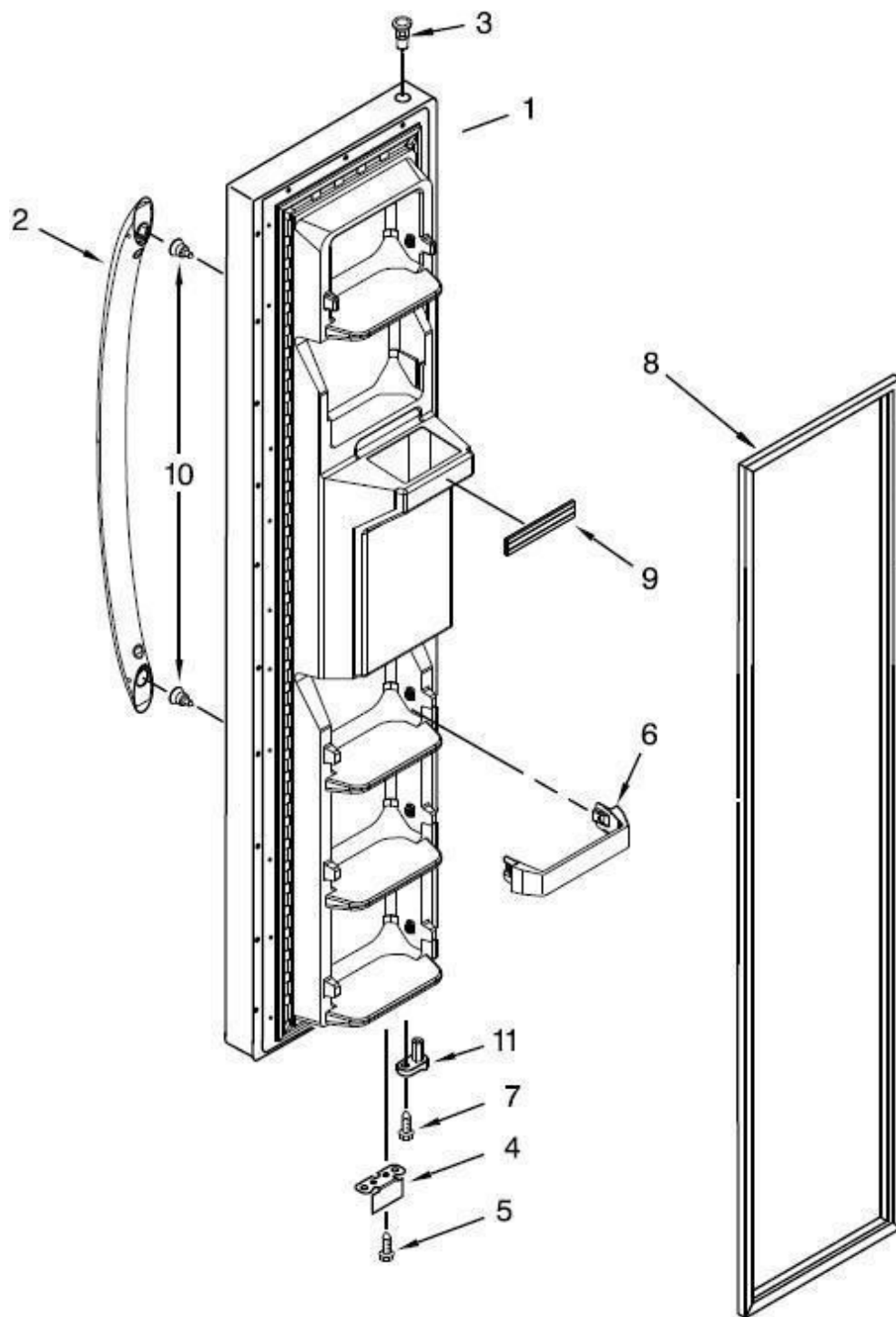




REFRIGERADOR WD5505S00

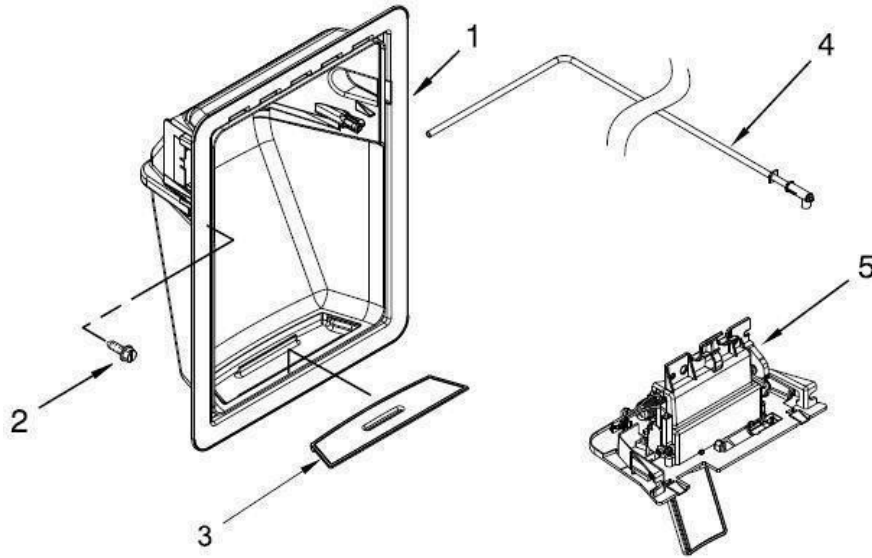
Color: Acero Inoxidable **Capacidad:** 25 pies

No.			
Ilus.	DESCRIPCIÓN	Cant.	No. de Parte
1	Refrigerator Door (Incluye ítem 4)	1	W10782886
2	Door Compartment	1	2256101
3	Bin, Door	3	2203828
4	Door Gasket Magnetic	1	W10136734
5	Handle	1	W10713676
6	Thimble	1	2182181
7	Trivet	1	2309941
8	Door Closer, Upper Cam	1	2182179
9	Screw	**	*****
10	Bracket, Door Stop	1	W10219801
11	Nameplate	1	W10511972
12	Screw	**	*****
13	Screw	**	*****



Color: Acero Inoxidable **Capacidad:** 25 pies

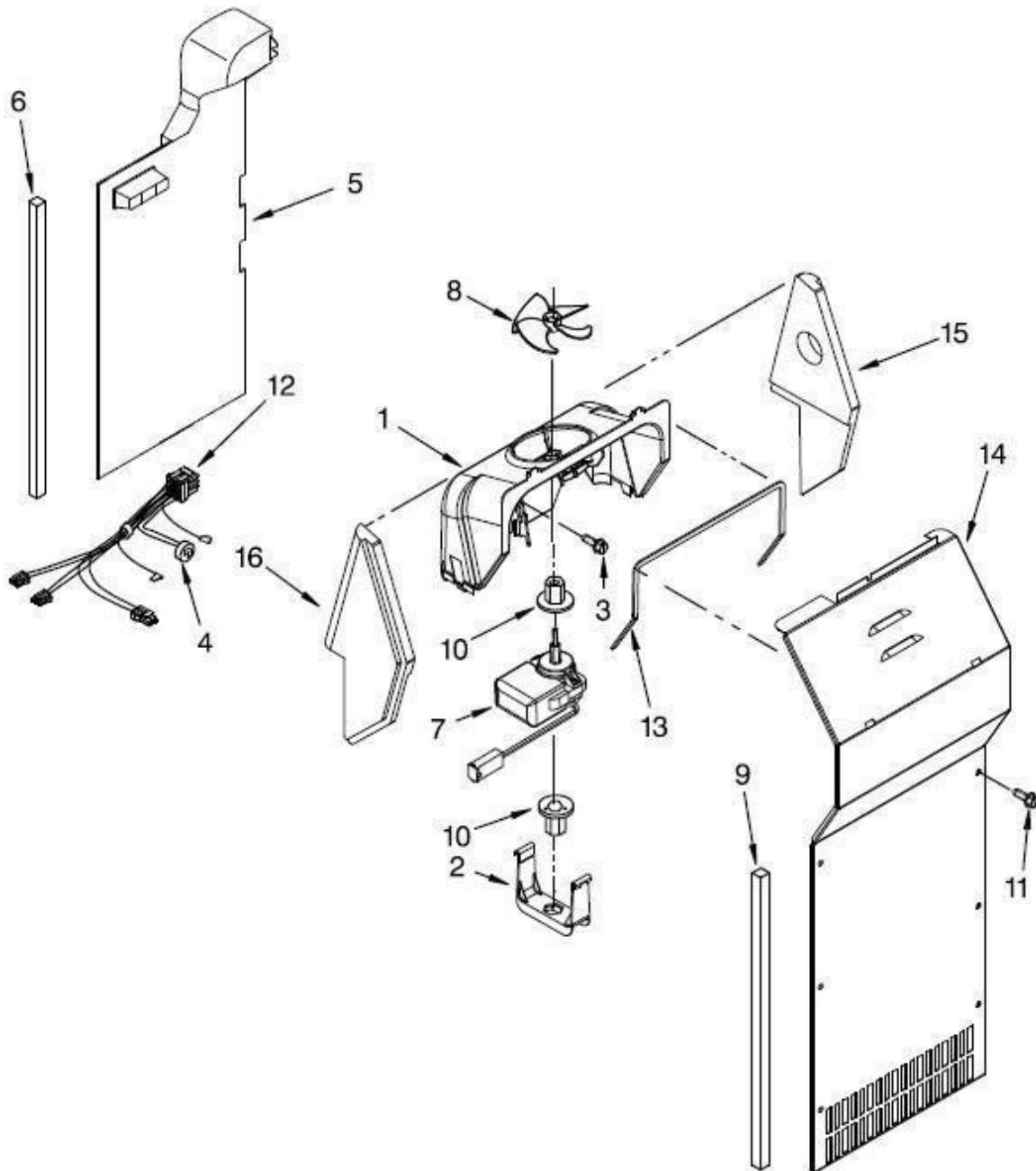
No. Ilus.	DESCRIPCIÓN	Cant.	No. de Parte
1	Freezer Door (Incluye Item 8 & Dispenser Front Parts)	1	W10729226
2	Handle	1	W10713676
3	Thimble	1	2182181
4	Bracket, Door Stop	1	2306940
5	Screw	**	*****
6	Trim, Door	3	2309718
7	Screw	**	*****
8	Door Gasket Magnetic	1	2159082
9	Trim, Door Shelf	1	W10307490
10	Screw	**	*****
11	Door Closer, Upper Cam	1	2223752



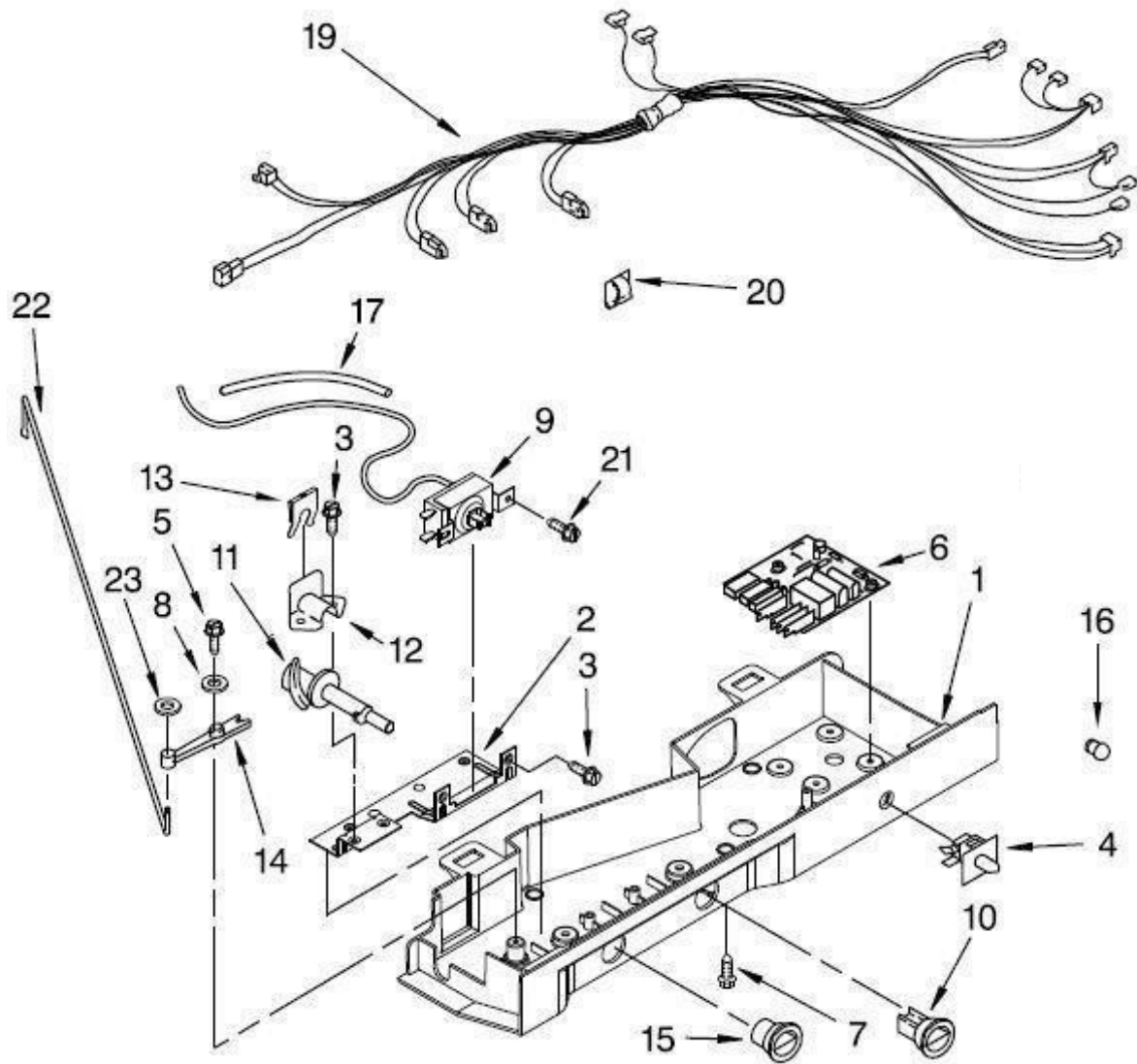


REFRIGERADOR WD5505S00

No. Ilus.	DESCRIPCIÓN	Cant.	No. de Parte
1	Housing, Dispenser (No Servicable)	**	*****
2	Screw	**	*****
3	Grille, Overflow	1	W10397394
4	Water Fitting Assembly	1	W10397435
5	Separator Assembly	1	W10723721



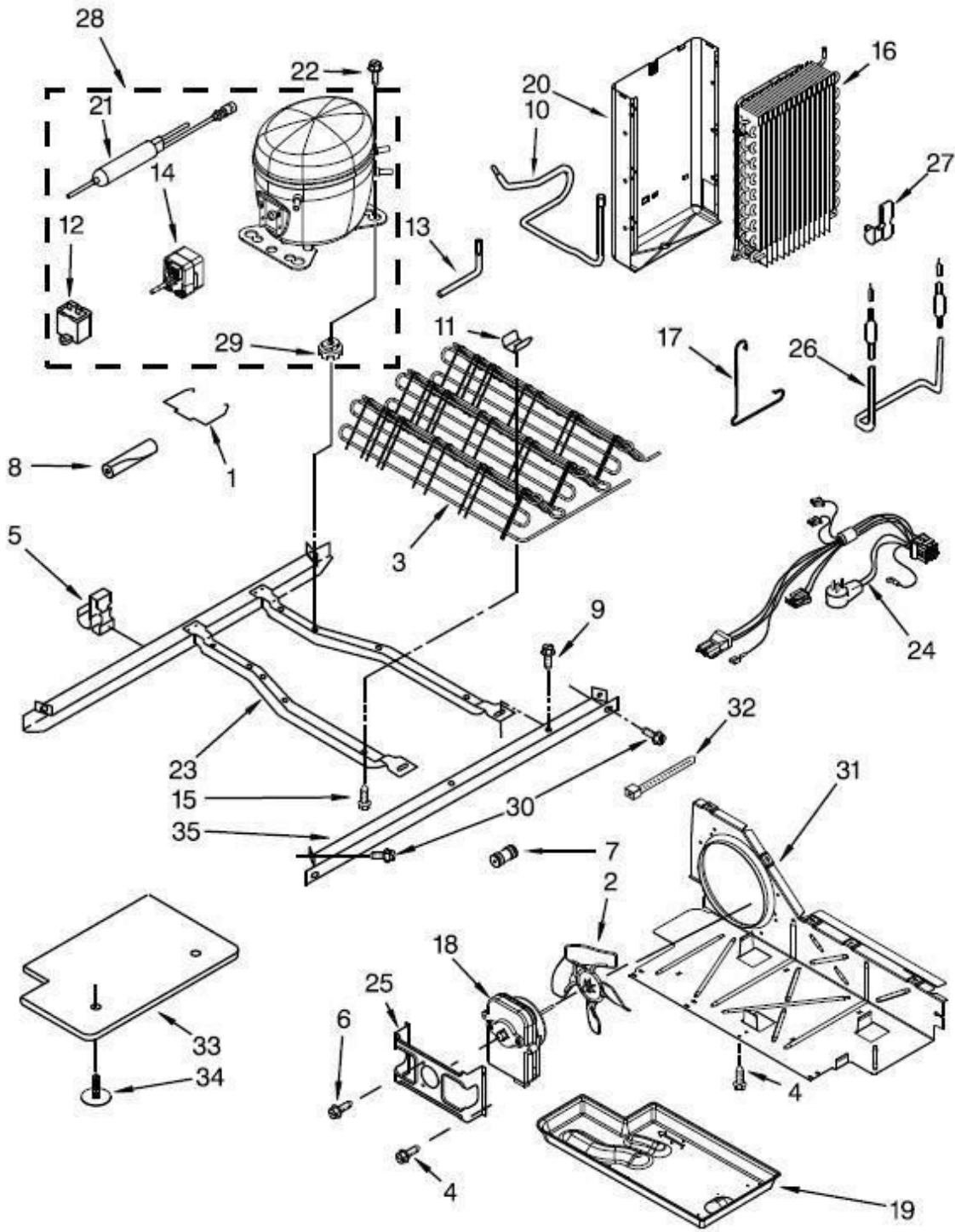
No.				
Ilus.	DESCRIPCIÓN	Cant.	No. de Parte	
1	Scroll, Fan	1	2182120	
2	Retainer, Fan Motor	1	2155590	
3	Screw	**	*****	
4	BI-Metal, Defrost	1	W10225581	
5	Air Duct Freezer	1	W10756902	
6	Gasket	1	2155789	
7	Fan Motor	1	W10312647	
8	Blade, Fan	1	2169142	
9	Gasket, Evaporator Cover	2	2304241	
10	Grommet, Motor	2	2176759	
11	Screw	**	*****	
12	Harness, Fan Tube Evaporator	1	W10297482	
13	Gasket, Evaporator Cover	2	2304241	
14	Cover, Evaporator	1	W10463011	
15	Support, Right Hand	1	2203595	
16	Support, Left Hand	1	2203596	



No.	Ilus.	DESCRIPCIÓN	Cant.	No. de Parte
1		Control Box	1	W10723712
2		Mounting Bracket	1	2311611
3		Screw	**	*****
4		Switch, Pluger	1	2219875
5		Screw	**	*****
6		Adaptative, Defrost Control	1	W10366605
7		Screw	**	*****
8		Washer, Spring	**	*****
9		Thermostat Assembly	1	W10583800
10		Knob, Thermostat	1	2311614
11		Cam Assembly	1	2182195
12		Bearing Body	1	1110560
13		Damper, Control	1	2196062
14		Pivot Arm	1	1110559
15		Knob, Control	1	2311615
16		Lens, Light	1	4389127
17		Tube, Barrier	1	2196001
19		Control Box Harness	1	W10354806
20		Clip, Wire	1	1115374
21		Screw	**	*****
22		Connecting Rod	1	2311631
23		Fastener, Push-On	**	*****



REFRIGERADOR WD5505S00

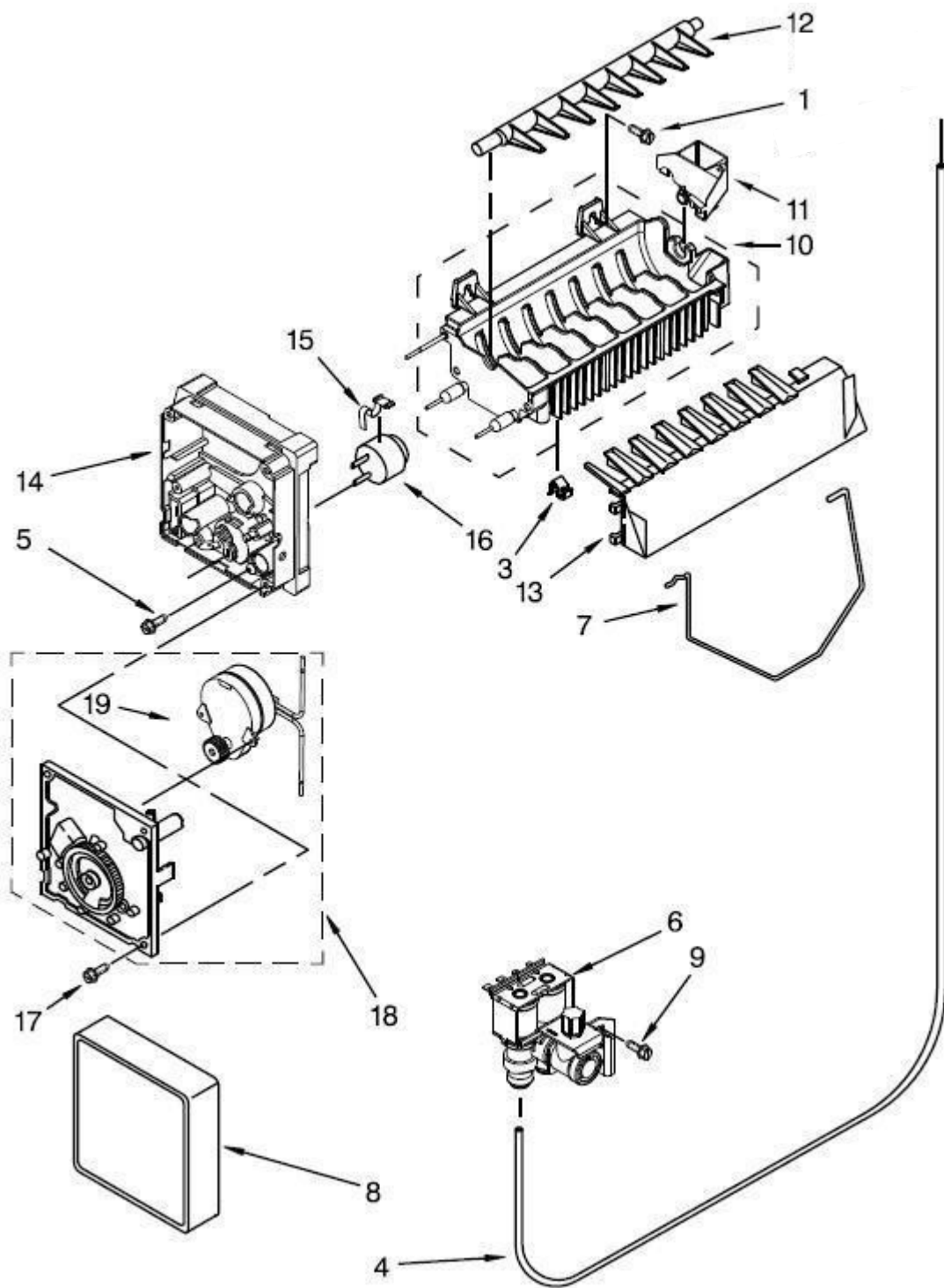


Color: Acero Inoxidable **Capacidad:** 25 pies

No. Ilus.	DESCRIPCIÓN	Cant.	No. de Parte
1	Strap, Bale	1	W10204187
2	Blade, Fan	1	12825802
3	Condenser Assembly	1	W10121484
4	Screw	**	*****
5	Clip, Wire	3	2326941
6	Screw	**	*****
7	Connector, Water Tube	1	2300868
8	Sleeve, Pressure Switch Hose	1	2162499
9	Screw	**	*****
10	Tube, Suction	1	W10576260
11	Clip, Condenser	2	2311725
12	Capacitor	1	W10350564
13	Tube, Process	**	*****
14	Start Device Combination (Start and Overload)	1	W10189190
15	Screw	**	*****
16	Evaporator, FC	1	2188823
17	Clip, Defrost Heater	2	2161324
18	Motor, Condenser	1	W10508362
19	Tray, Evaporator	1	W10614158
20	Heat Shield and Drain Pan	1	W10194475
21	Drier	1	W10771114
22	Screw	**	*****
23	Frame, Unit Mounting	1	W10123397
24	Unit, Harness	1	W10670169
25	Bracket, Fan Motor	1	2181929
26	Heater, Defrost	1	2323198
27	Clip, Defrost Heater	2	2161324
28	Compressor	1	W10321630
29	Grommet	4	W10169124
30	Bolt	2	489340
31	Air Baffle	1	W10332806
32	Tie, Wire	1	2263990
33	Unit Cover, Bottom	1	W10466694
34	Clip	2	489396
35	Rail, Unit Mounting	1	W10196313



REFRIGERADOR WD5505S00



Color: Acero Inoxidable **Capacidad:** 25 pies

No.

<u>Ilus.</u>	<u>DESCRIPCIÓN</u>	<u>Cant.</u>	<u>No. de Parte</u>
1	Screw	**	*****
3	Clip, Thermal Fuse	1	628379
4	Tube, Water	1	W10357068
5	Screw	**	*****
6	Filter Valve Assembly	1	2188778
7	Arm, Shutt Off	1	2304354
8	Cover, Icemaker	1	W10289690
9	Screw	**	*****
10	Assembly, Mold & Heater	1	W10190929
11	Cup-Water Fill	1	W10435665
12	Ejector, Arm	1	627843
13	Stripper, Ice	1	W10699925
14	Support	1	2195914
15	Retainer, Thermostat	2	2315522
16	Thermostat	1	627985
17	Screw	**	*****
18	Assembly, Module	1	8201515
19	Motor (No Servicable)	**	*****
20	Screw	**	*****
<u>Complete Icemaker Assembly</u>			<u>W10754511</u>