

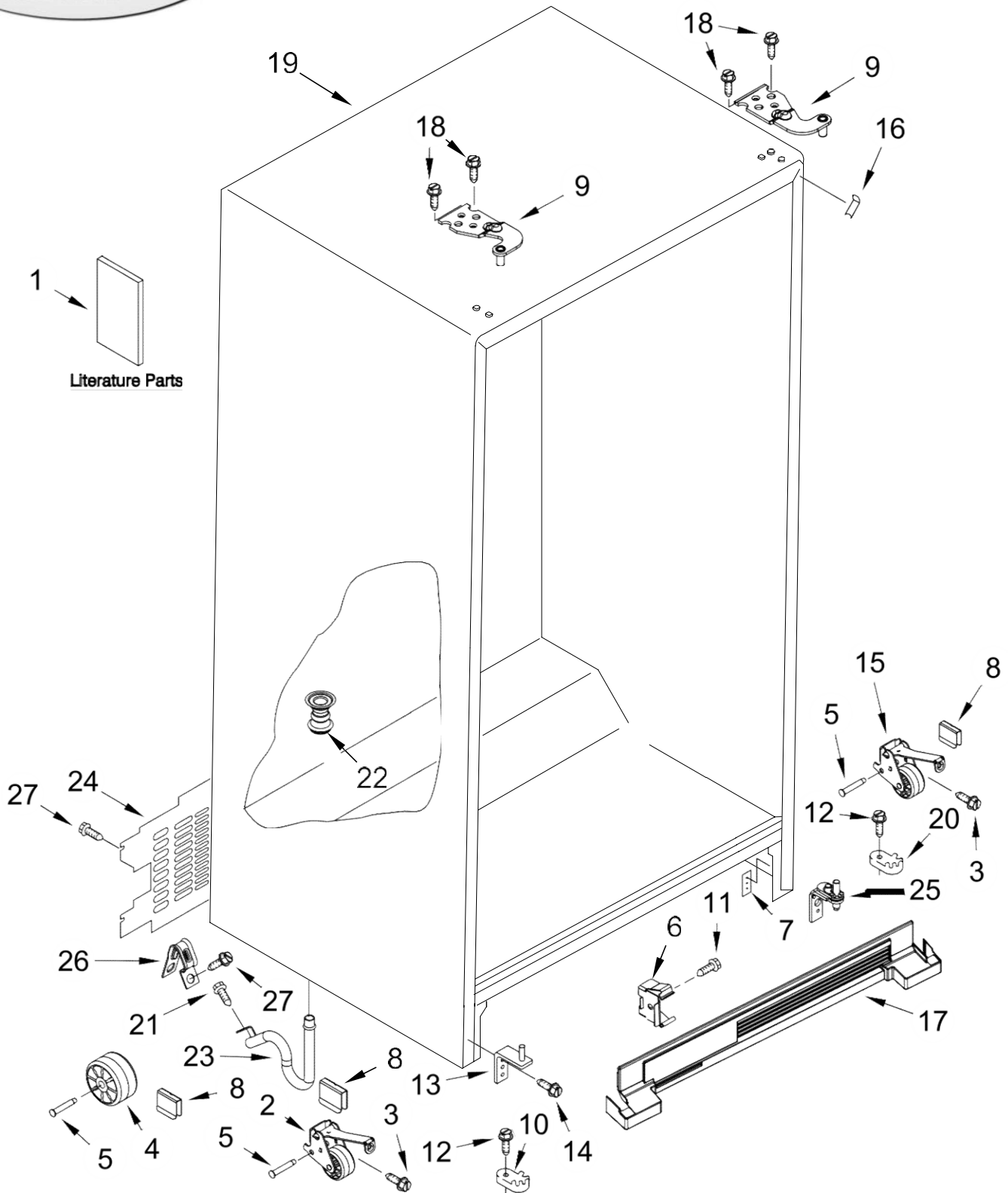


**SIDE BY SIDE REFRIGERATOR**

**MODELS:**

WD5600S (Stainless)

# REFRIGERADOR WD5600S



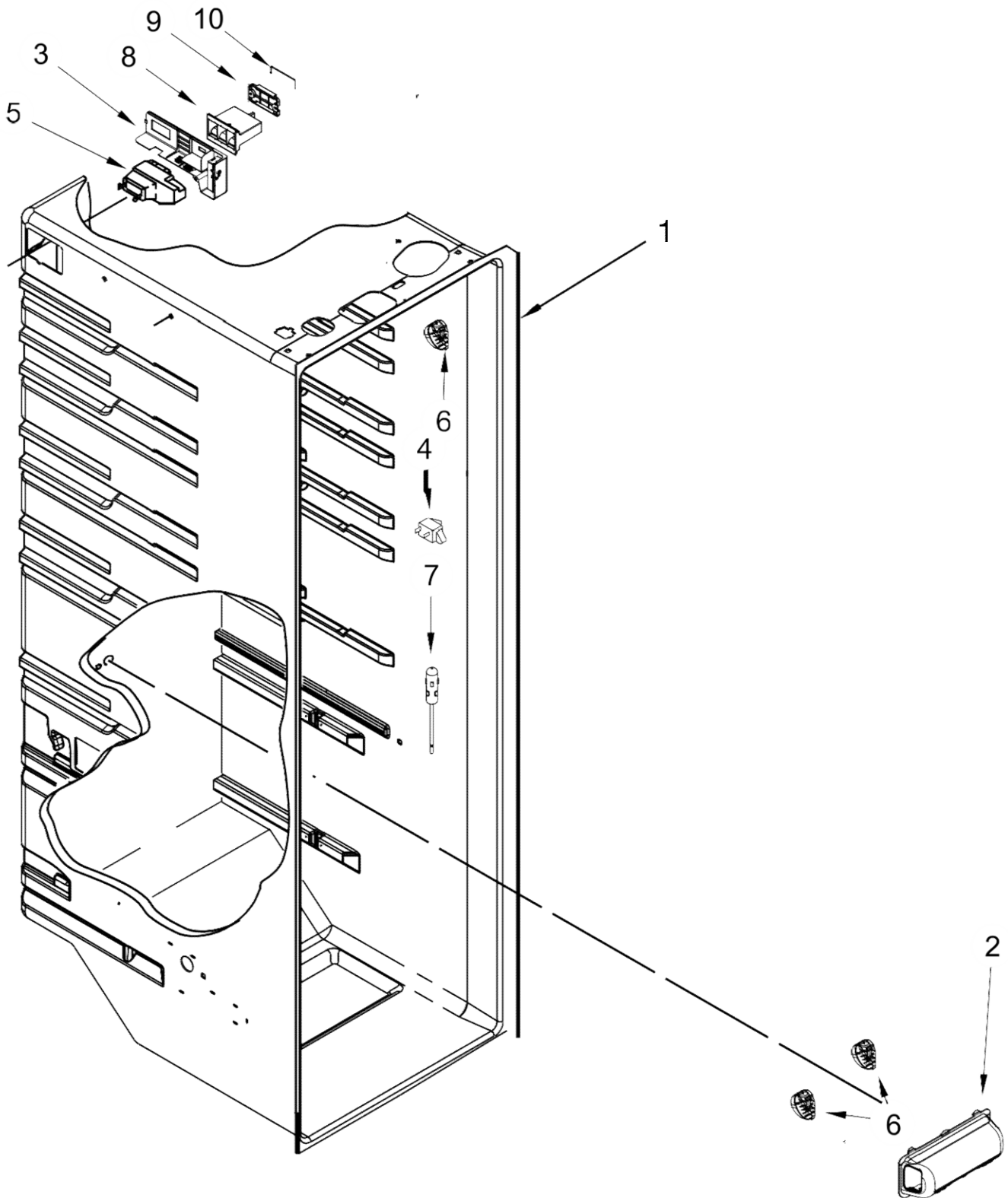
# REFRIGERADOR WD5600S

| <u>Illus. No.</u> | <u>Part No.</u> | <u>Description</u>          |
|-------------------|-----------------|-----------------------------|
| 1                 |                 | Literature Parts            |
|                   | W11366704       | Use and Care Guide          |
|                   | W11267096       | Tech Sheet                  |
|                   | W11159305       | Energy Guide                |
| 2                 |                 | Assembly, Roller            |
|                   | W10304660       | Left Hand                   |
| 3                 | 2152958         | Screw                       |
| 4                 | 2150304         | Roller                      |
| 5                 | 2262072         | Axle, Roller                |
| 6                 | 2155013         | Clip, Grille                |
| 7                 | W11036715       | Plate, Screw (Refrigerator) |
|                   | W10904380       | Plate, Screw (Freezer)      |
| 8                 | W11087168       | Clip, Roller                |
| 9                 |                 | Hinge, Top                  |
|                   | W11167022       | Left Hand                   |
|                   | W11167023       | Right Hand                  |
| 10                | W11095731       | Closer, Door(Freezer)       |

| <u>Illus. No.</u> | <u>Part No.</u> | <u>Description</u>               |
|-------------------|-----------------|----------------------------------|
| 11                | W10141604       | Screw                            |
| 12                | W10142234       | Screw                            |
| 13                | W11093938       | Assembly, Bottom Hinge (Freezer) |
| 14                | 3400113         | Screw                            |
| 15                |                 | Assembly, Roller                 |
|                   | W10304659       | Right Hand                       |
| 16                |                 | Filler, Wrapper                  |
|                   | W11219642       | Grey                             |
| 17                |                 | Grille                           |
|                   | W11226348       | Grey                             |
| 18                | W10290781       | Screw, Hinge                     |
| 19                |                 | Cabinet (Not A Servicable Part)  |

| <u>Illus. No.</u> | <u>Part No.</u> | <u>Description</u>                    |
|-------------------|-----------------|---------------------------------------|
| 20                | W10905504       | Closer, Lower Cam Door (Refrigerator) |
| 21                | 489464          | Screw                                 |
| 22                | 2304888         | Fitting, Drain                        |
| 23                | W10153550       | Extension, Drain Fitting              |
| 24                | W10904634       | Cover, Unit                           |
| 25                | W11097327       | Assembly, Bottom Hinge (Refrigerator) |
| 26                | W11242280       | Clamp, Power Cord                     |
| 27                | W10141645       | Screw                                 |

# REFRIGERADOR WD5600S



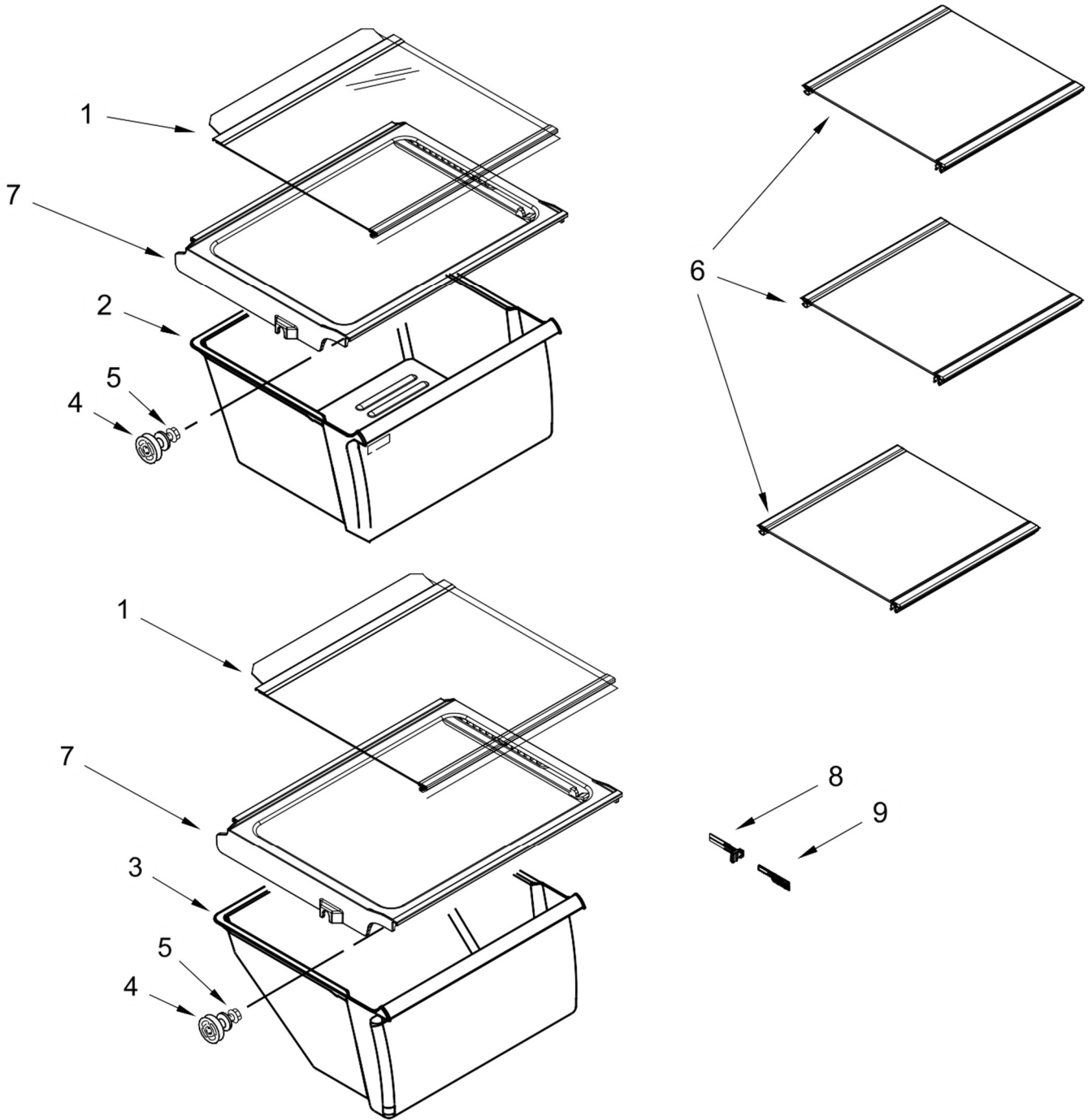
# REFRIGERADOR WD5600S

| <u>Illus. No.</u> | <u>Part No.</u> | <u>Description</u>             |
|-------------------|-----------------|--------------------------------|
| 1                 |                 | Liner (Not A Serviceable Part) |
| 2                 | W10166130       | Lens, Light (Includes Gasket)  |

| <u>Illus. No.</u> | <u>Part No.</u> | <u>Description</u>                                  |
|-------------------|-----------------|---|
| 3                 | W11026013       | Assembly, Control Box (Includes Electronic Control) |
| 4                 | W11384469       | ROCKER ARM SWITCH-N.C                               |
| 5                 | W11264792       | Diffuser, Air                                       |

| <u>Illus. No.</u> | <u>Part No.</u> | <u>Description</u> |
|-------------------|-----------------|--------------------|
| 6                 | W11251749       | Light Module, LED  |
| 7                 | W10384183       | Thermistor         |
| 8                 | W10901825       | Slider, Housing    |
| 9                 | W10901827       | Slider             |
| 10                | W10901826       | Connecting Rod     |

# REFRIGERADOR WD5600S





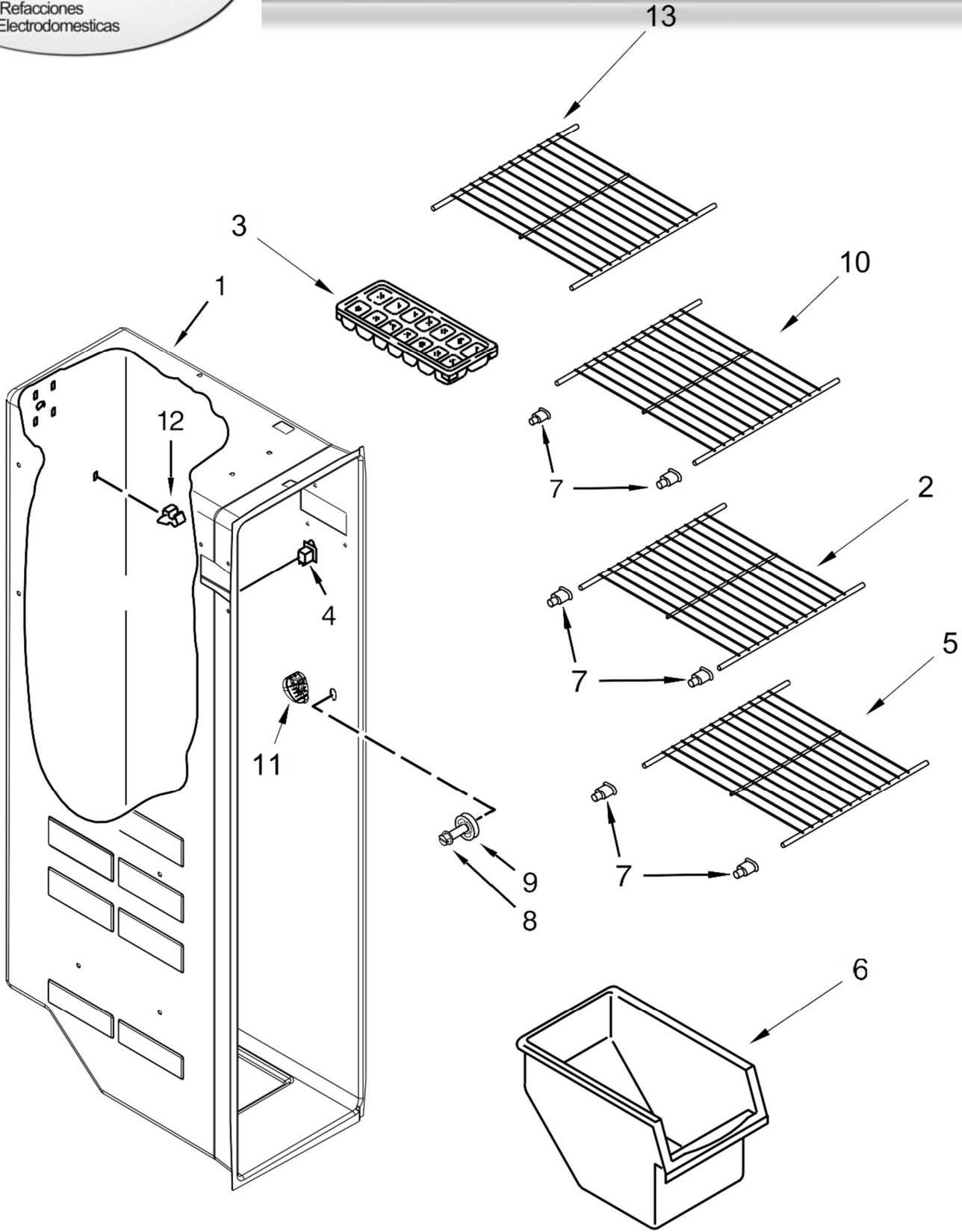
# REFRIGERADOR WD5600S

| <u>Illus. No.</u> | <u>Part No.</u> | <u>Description</u> |
|-------------------|-----------------|--------------------|
| 1                 | W11351248       | Assembly, Cover    |
| 2                 | W11046494       | Pan, Crisper       |
| 3                 | W11046495       | Pan, Meat          |

| <u>Illus. No.</u> | <u>Part No.</u> | <u>Description</u>   |
|-------------------|-----------------|----------------------|
| 4                 | W10173126       | Assembly, Shelf Stud |
| 5                 | W10191954       | Screw                |
| 6                 | W11135529       | Assembly, Shelf      |

| <u>Illus. No.</u> | <u>Part No.</u> | <u>Description</u> |
|-------------------|-----------------|--------------------|
| 7                 | W10904001       | Holder, Pan        |
| 8                 | W10282883       | Slide, Humidity    |
| 9                 | W10282880       | Housing, Humidity  |

# REFRIGERADOR WD5600S







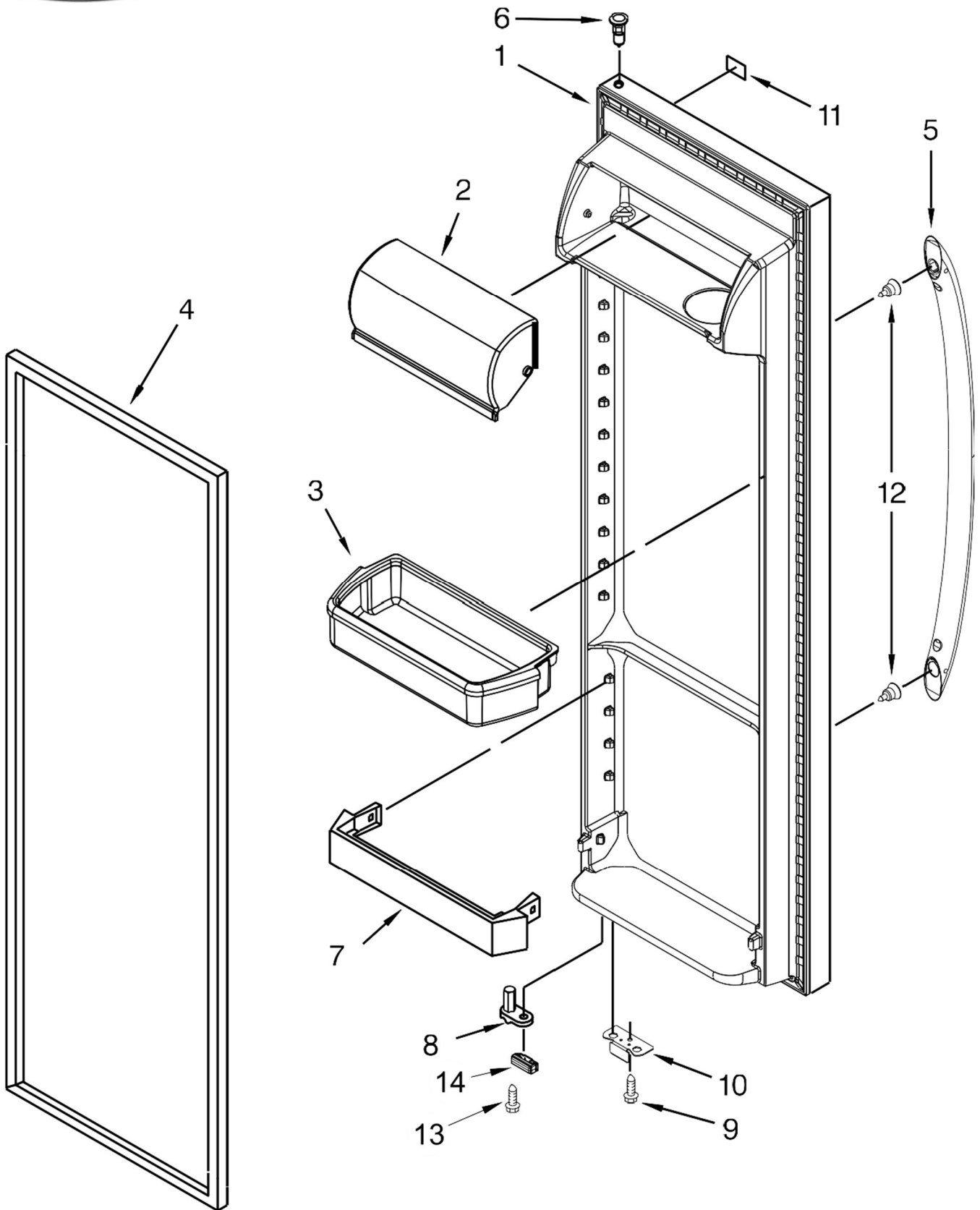
# REFRIGERADOR WD5600S

| <u>Illus. No.</u> | <u>Part No.</u> | <u>Description</u>             |
|-------------------|-----------------|--------------------------------|
| 1                 |                 | Liner (Not A Serviceable Part) |
| 2                 | W10318948       | Shelf, Wire                    |
| 3                 | 2151664         | Tray, Ice                      |
| 4                 | W10460893       | Screw                          |

| <u>Illus. No.</u> | <u>Part No.</u> | <u>Description</u> |
|-------------------|-----------------|--------------------|
| 5                 | W10318947       | Shelf, Wire        |
| 6                 | 2309757         | Bin, Freezer       |
| 7                 | W10130299       | Cup, Shelf         |
| 8                 | W10191954       | Screw              |
| 9                 | 2196208         | Assembly, Stud     |

| <u>Illus. No.</u> | <u>Part No.</u> | <u>Description</u> |
|-------------------|-----------------|--------------------|
| 10                | W10318961       | Shelf, Wire        |
| 11                | W11251749       | Light Module, LED  |
| 12                | 2315163         | Clip, Air Duct     |
| 13                | W10318945       | Shelf, Wire        |

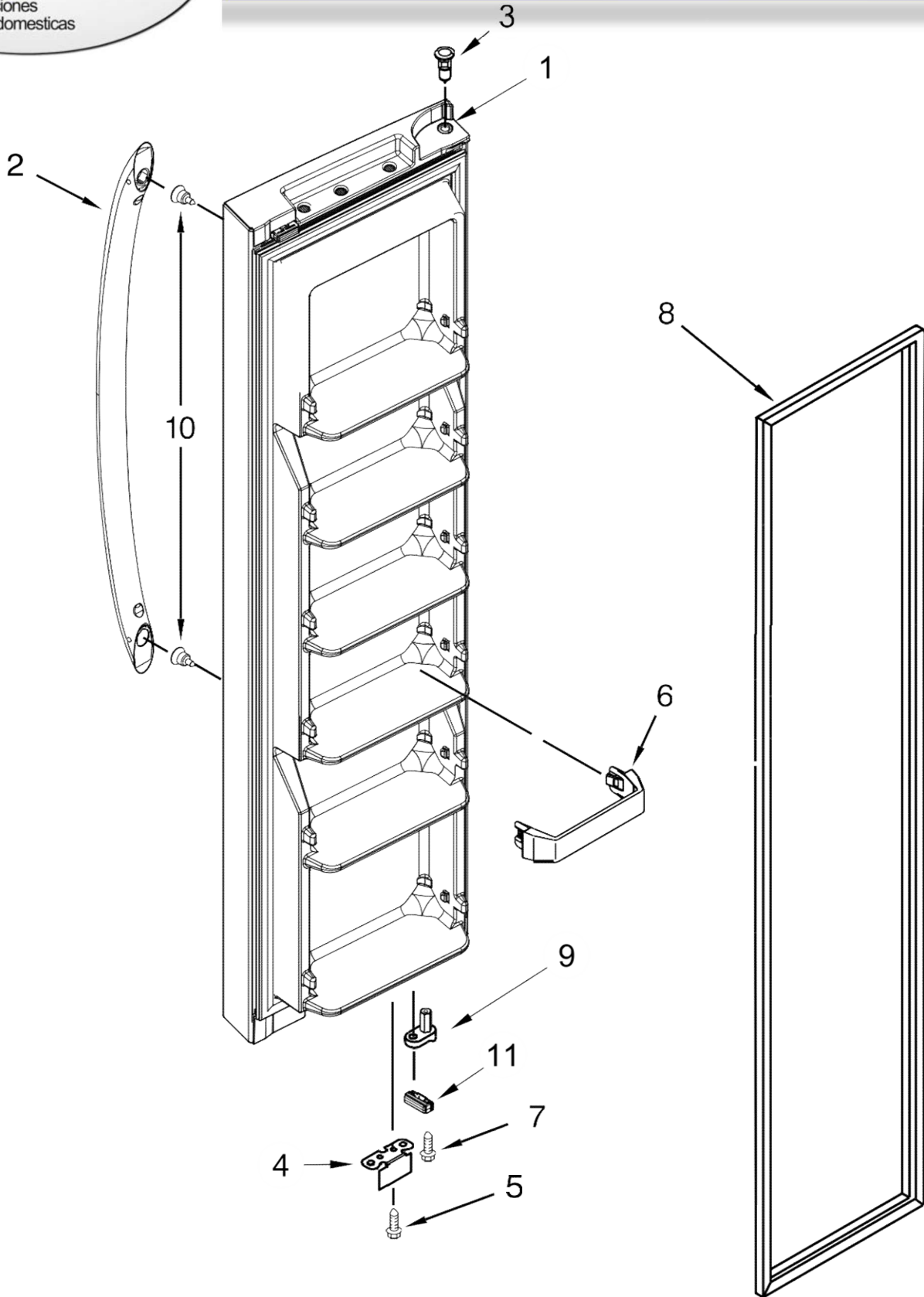
# REFRIGERADOR WD5600S



# REFRIGERADOR WD5600S

| <u>Illus. No.</u> | <u>Part No.</u>        | <u>Description</u>       | <u>Illus. No.</u> | <u>Part No.</u> | <u>Description</u> | <u>Illus. No.</u> | <u>Part No.</u> | <u>Description</u> |
|-------------------|------------------------|--------------------------|-------------------|-----------------|--------------------|-------------------|-----------------|--------------------|
| 1                 | W11110269<br>DOLOS C17 | DOOR ASSY RC FOAM 25 IDI |                   |                 | Handle             |                   |                 |                    |
|                   |                        |                          |                   | W11045530       | Stainless          |                   | W10308489       | Screw (Grey)       |
|                   |                        |                          |                   |                 |                    | 14                |                 | Bumper, Door       |
|                   |                        |                          | 6                 | 2200087         | Thimble            |                   |                 |                    |
|                   |                        |                          | 7                 | 2309941         | Trivet             |                   |                 |                    |
| 2                 | 2256101                | Door, Compartment        | 8                 | W10900464       | Thimble, Cam       |                   | W10407188       | Grey               |
| 3                 | W10900538              | Bin, Door                | 9                 | W10296816       | Screw              |                   |                 |                    |
| 4                 |                        | Gasket, Door             | 10                |                 | Bracket, Door Stop |                   |                 |                    |
|                   | W10912123              | Beige                    |                   |                 |                    |                   |                 |                    |
|                   | W10912081              | Grey                     | 11                | W10884773       | Badge              |                   |                 |                    |
|                   |                        |                          | 12                | W10460893       | Screw              |                   |                 |                    |

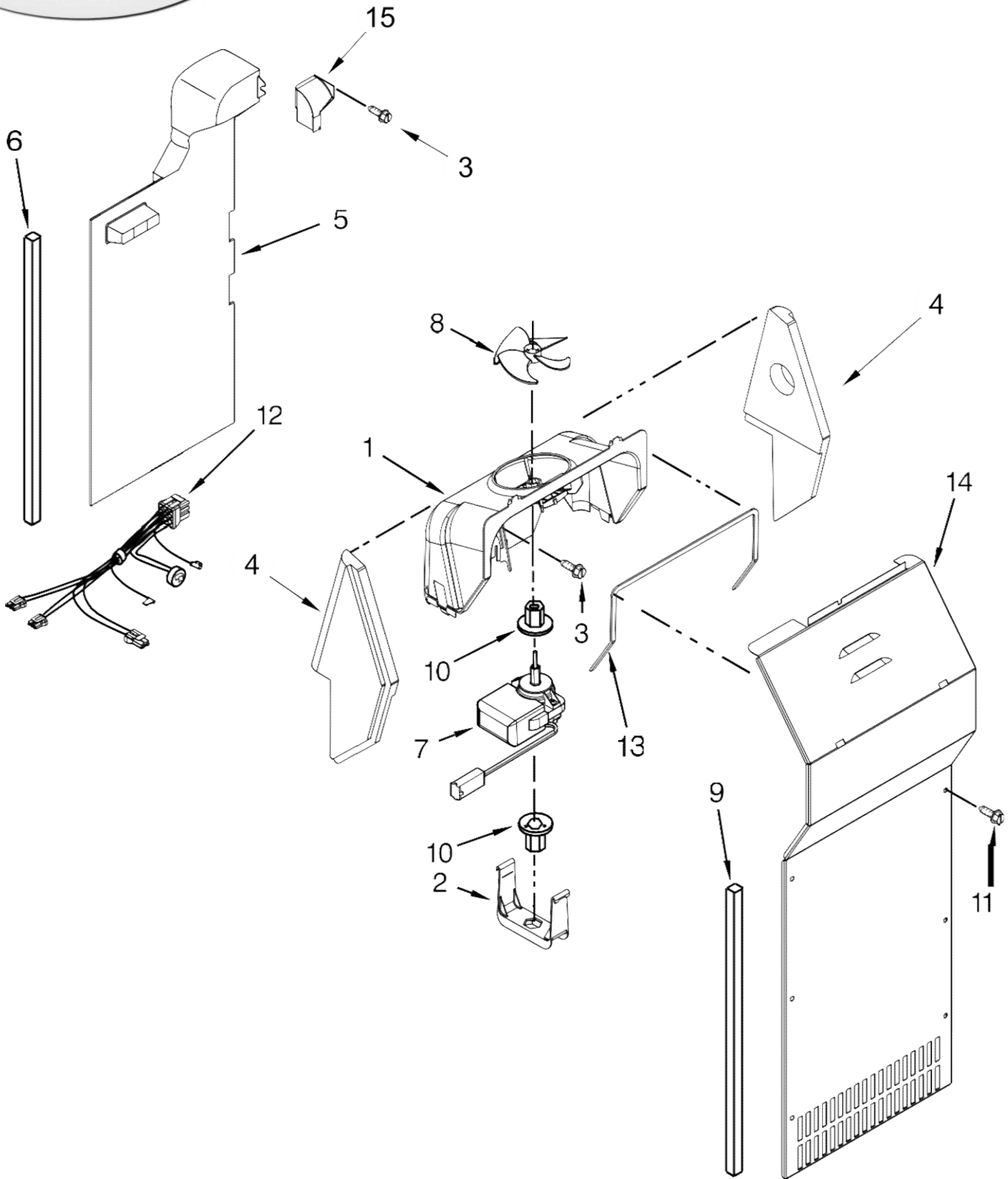
# REFRIGERADOR WD5600S



# REFRIGERADOR WD5600S

| <u>Illus. No.</u> | <u>Part No.</u> | <u>Description</u>                      | <u>Illus. No.</u> | <u>Part No.</u> | <u>Description</u> | <u>Illus. No.</u> | <u>Part No.</u> | <u>Description</u> |
|-------------------|-----------------|---|-------------------|-----------------|--------------------|-------------------|-----------------|--------------------|
| 1                 | W11463509       | DOOR ASSY FC<br>FOAM 25 DOLOS<br>C17 ND | 5                 | W10296816       | Screw              | 11                |                 | Bumper, Door       |
|                   |                 |   | 6                 | 2309718         | Trivet             |                   |                 |                    |
|                   |                 |   | 7                 | W10296804       | Screw              |                   |                 |                    |
|                   |                 |   | 8                 |                 | Gasket, Door       |                   | W10407188       | Grey               |
|                   |                 |   |                   | W10911412       | Beige              |                   |                 |                    |
| 2                 |                 | Handle                                  |                   | W10911389       | Grey               |                   |                 |                    |
|                   |                 |   | 9                 | W10900532       | Thimble, Cam       |                   |                 |                    |
|                   |                 |   | 10                | W10460893       | Screw              |                   |                 |                    |
|                   | W11045530       | Stainless                               |                   |                 |                    |                   |                 |                    |
| 3                 | 2200087         | Thimble                                 |                   |                 |                    |                   |                 |                    |
| 4                 |                 | Bracket, Door Stop                      |                   |                 |                    |                   |                 |                    |

# REFRIGERADOR WD5600S



# REFRIGERADOR WD5600S

**Illus.**  
**No.**    **Part No.**    **Description**

|   |           |                     |
|---|-----------|---------------------|
| 1 | W11228713 | Scroll, Fan         |
| 2 | W10188846 | Retainer, Fan Motor |
| 3 | 489478    | Screw               |
| 4 |           | Support, Fan Scroll |
|   | 2203596   | Left Hand           |
|   | 2203595   | Right Hand          |
| 5 | 2203594   | Duct, Freezer Air   |

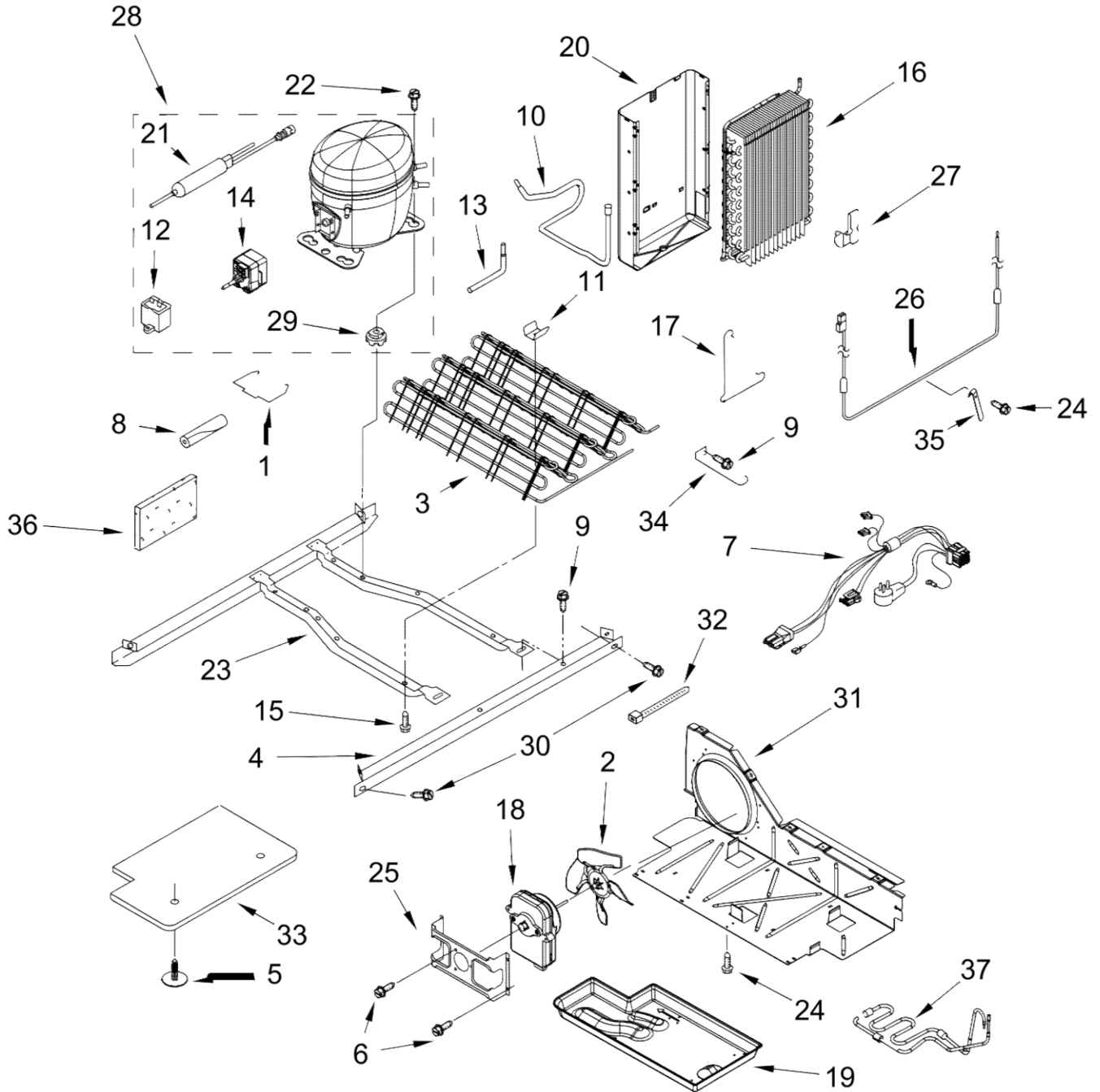
**Illus.**  
**No.**    **Part No.**    **Description**

|    |           |                |
|----|-----------|----------------|
| 6  | 2203876   | Gasket         |
| 7  | 2315549   | Motor, Fan     |
| 8  | 2169142   | Blade, Fan     |
| 9  | 2304241   | Gasket         |
| 10 | 2176759   | Grommet, Motor |
| 11 | W10142292 | Screw          |

**Illus.**  
**No.**    **Part No.**    **Description**

|    |           |   |
|----|-----------|---|
| 12 | W11342162 | Harness, Evaporator<br>Fan (Includes Thermal<br>Fuse) |
| 13 | 2155789   | Gasket  |
| 14 | W10463013 | Cover, Evaporator                                     |
| 15 | W10803597 | Scoop, Air Assembly                                   |

# REFRIGERADOR WD5600S





# REFRIGERADOR WD5600S

| <u>Illus. No.</u> | <u>Part No.</u> | <u>Description</u>   |
|-------------------|-----------------|--|
| 1                 | W10174384       | Strap, Bale  |
| 2                 | 2225834         | Blade, Fan   |
| 3                 | W10904626       | Assembly, Condenser  |
| 4                 | W10900442       | Rail, Unit Mounting  |
| 5                 | 489396          | Clip   |
| 6                 | 8533993         | Screw  |
| 7                 | W11229008       | Harness, Unit<br>(Includes Power Cord)                     |
| 8                 | 2264838         | Sleeve   |
| 9                 | 489427          | Screw  |
| 10                | W11183387       | Tube, Suction  |
| 11                | 2311725         | Clip, Condenser  |
| 12                | W10350564       | Capacitor  |
| 13                | W11239207       | Tube, Process  |
| 14                | W10197428       | Device, Combination<br>Start (Start Relay and<br>Overload) |
| 15                | 8281232         | Screw  |
| 16                | 2188823         | Evaporator   |
| 17                | 2161324         | Clip, Defrost Heater                                       |

| <u>Illus. No.</u> | <u>Part No.</u> | <u>Description</u>                     |
|-------------------|-----------------|--|
| 18                | W10522629       | Motor, Condenser Fan                   |
| 19                | W10897557       | Tray, Evaporator                       |
| 20                | W10194475       | Assembly, Heat Shield<br>and Drain Pan |
| 21                | W10771114       | Drier                                  |
| 22                | W10476309       | Screw                                  |
| 23                | W10900445       | Frame, Unit Mounting                   |
| 24                | 489464          | Screw                                  |
| 25                | 2181929         | Bracket, Fan Mounting                  |
| 26                | 2188175         | Heater, Defrost                        |
| 27                | 2161324         | Clip, Defrost Heater                   |
| 28                | W10609387       | COMPRESSOR<br>ASSY-EM3D60HLT           |
|                   | 10835903        | Grommet 30                             |
|                   | 489340          | Bolt                                   |
| 31                | W10897567       | Baffle, Air                            |
| 32                | 2263990         | Tie, Wire                              |
| 33                | W10897560       | Assembly, Unit Cover<br>(Bottom)       |
| 34                | 1110663         | Guard, Fan                             |

| <u>Illus. No.</u>                  | <u>Part No.</u> | <u>Description</u>             |
|------------------------------------|-----------------|--------------------------------|
| 35                                 | W10895163       | Probe, Heat                    |
| 36                                 | 2169104         | Insulation, Sound<br>Deadening |
| 37                                 | W11189542       | Assembly, Precooler<br>Formed  |
| FOLLOWING PARTS<br>NOT ILLUSTRATED |                 |                                |
|                                    | 978025          | Valve, Access (1/4")           |
|                                    | 978026          | Valve, Access (5/16")          |
|                                    | 978027          | Valve, Access (3/8")           |
|                                    | 978029          | Valve, Access (5/8")           |
|                                    | 978030          | Valve, Access (3/4")           |
|                                    | 876764          | Valve, Access (3/16")          |
| REFRIGERANT<br>CHARGE              |                 |                                |
|                                    |                 | 5.5 oz (R-134A)                |

# OPTIONAL PARTS

## PAINT, PRESSURIZED SPRAY (12 OZ.)

Illus.  
No.    Part No.    Description

4392901    Biscuit/Bisque

## PAINT, TOUCH-UP (1/2OZ.)

Illus.  
No.    Part No.    Description

4392899    Biscuit/Bisque  
W10134625    Apollo Grey

## PAINT, BULK (1 QT.)

Illus.  
No.    Part No.    Description

4392900    Biscuit/Bisque

## MISCELLANEOUS

Illus.  
No.    Part No.    Description

212643    Sealer, Gum (4 Feet)  
479502    Tape, Vinyl (3/4 x 108")  
505587    Sealer, Mastic (1 Qt)  
503695    Cork, Sealer  
542638    Grease, Silicone (1/2 Oz.)  
542639    Cement, Alumilastic (1 1/4 Oz.)  
833938    Kit, Terminal Connector  
8003RP    Kit, Water Inlet  
W10300794    Kit, Handle Installation  
W10715708    Ice Maker Assembly (ECKMF95)

## TORX SCREW WRENCH

Illus.  
No.    Part No.    Description

1117510    Torx Key