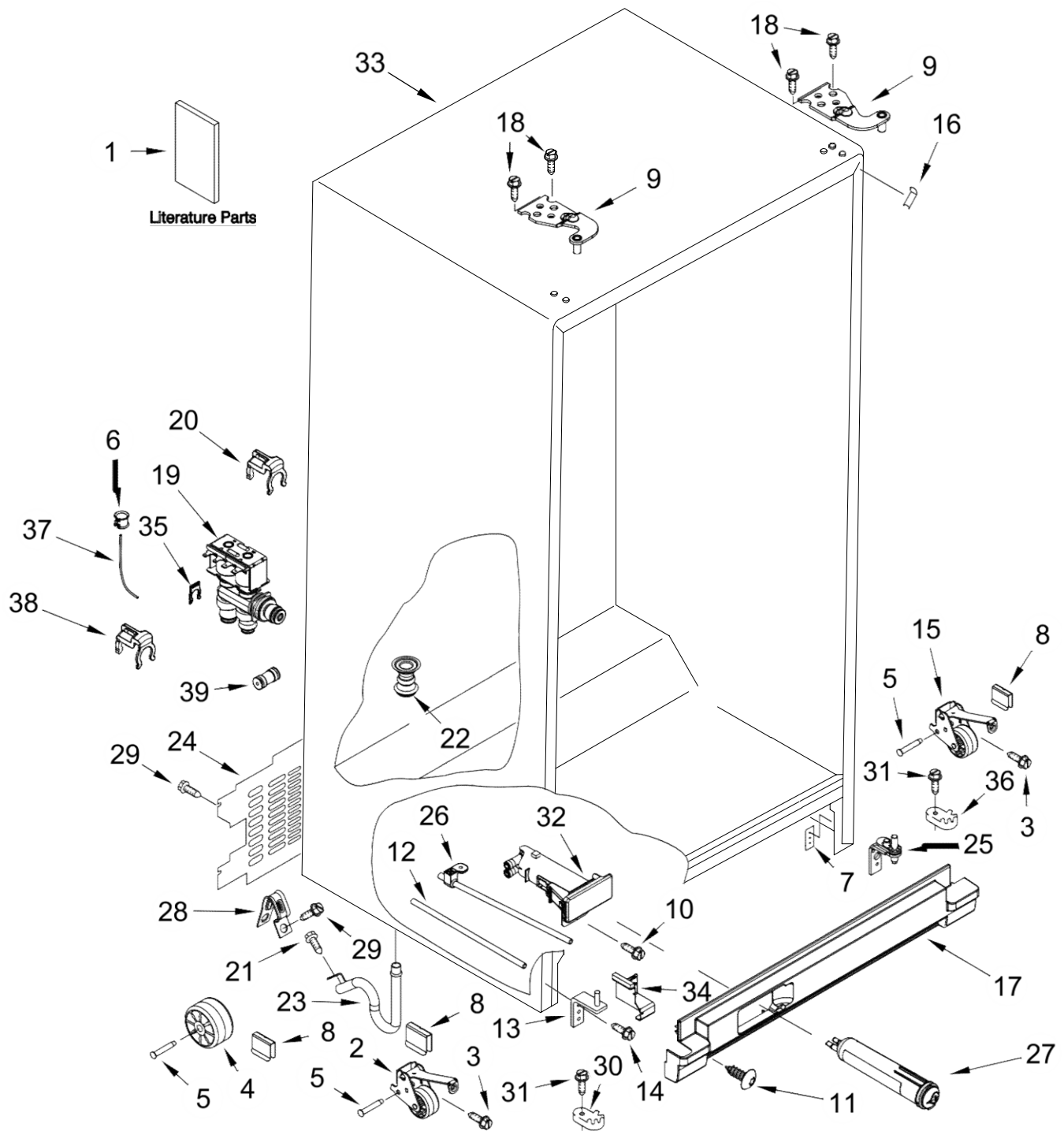




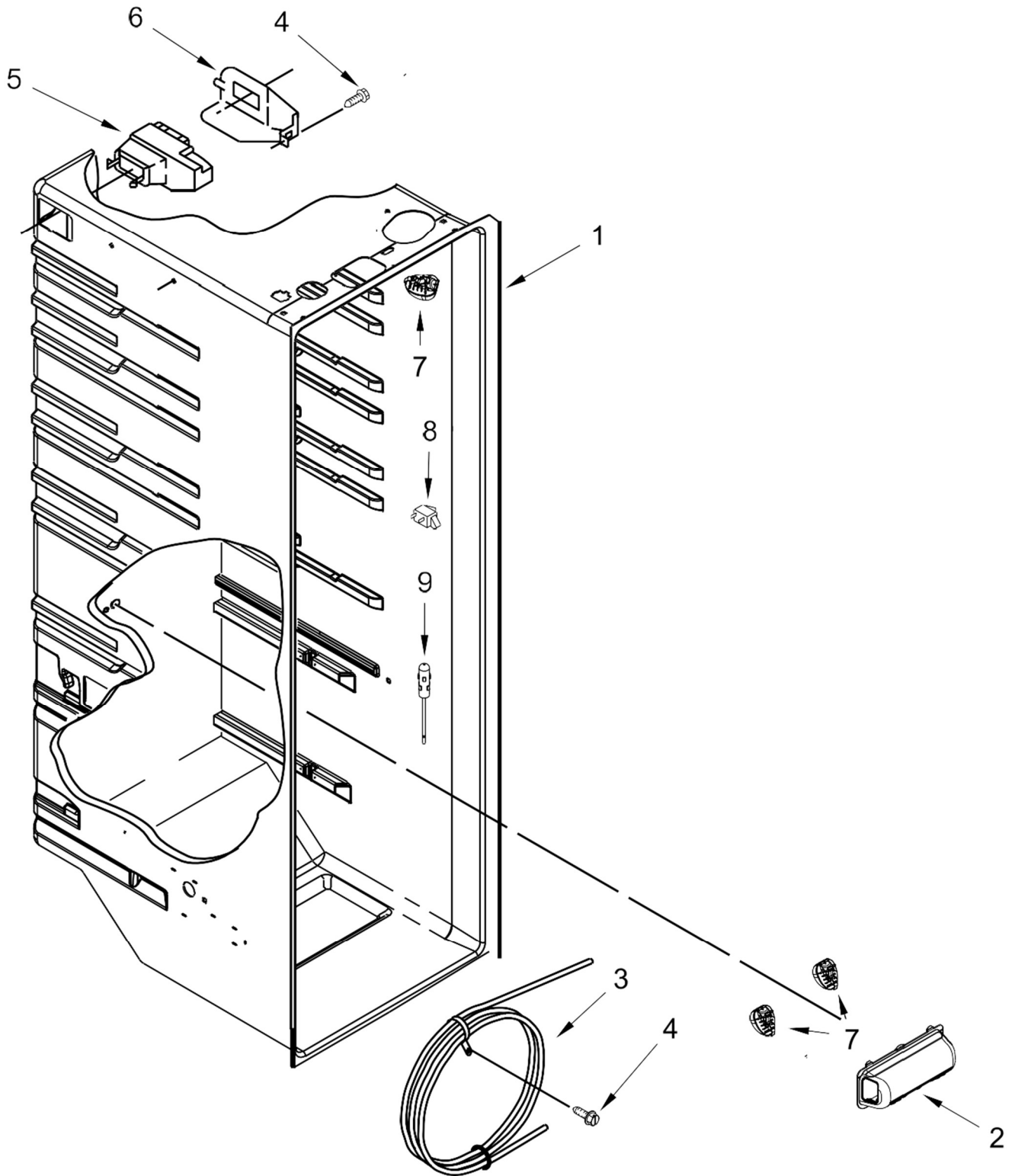
**REFRIGERATOR**

**MODELS:**

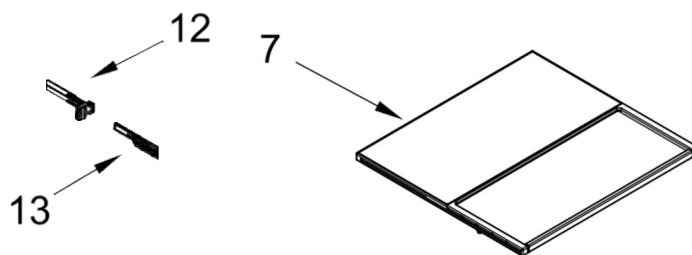
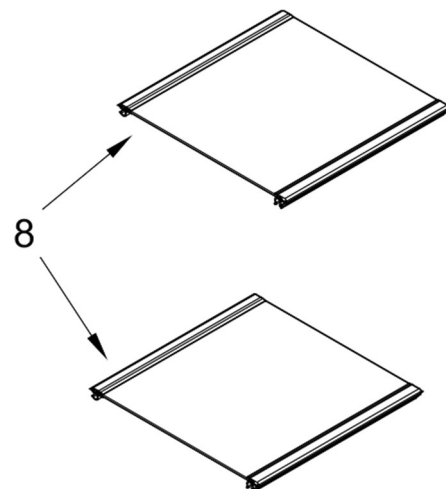
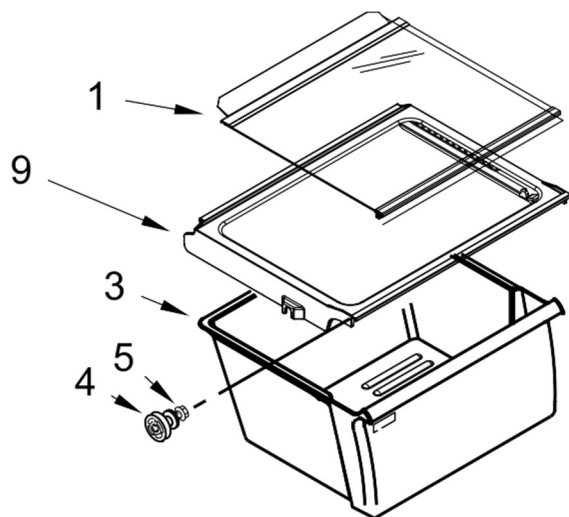
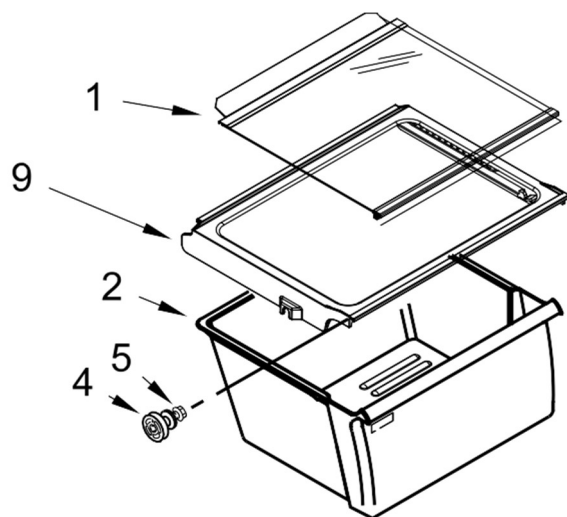
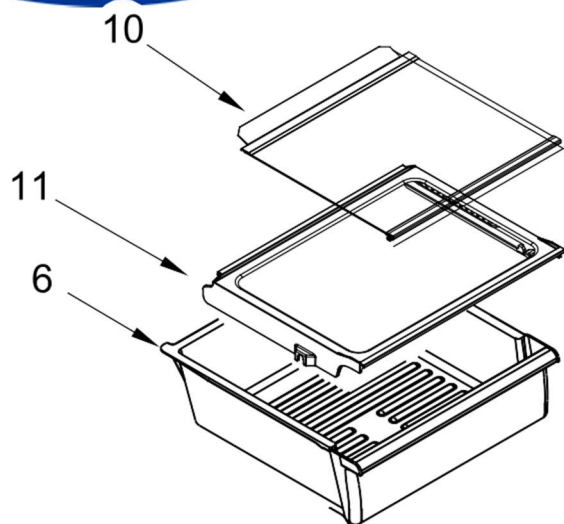
v



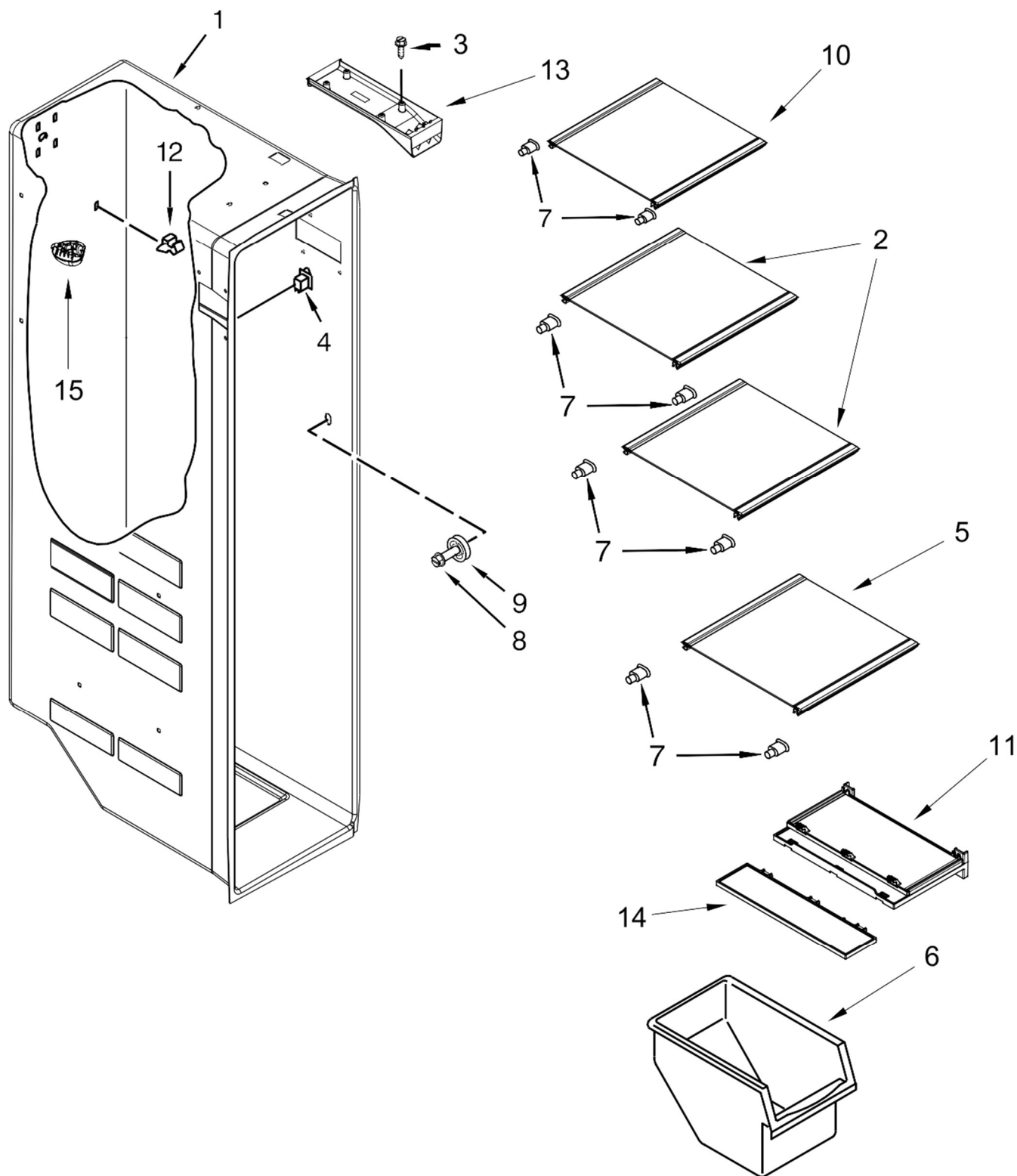
<u>Illus. No.</u>	<u>Part No.</u>	<u>Description</u>	<u>Illus. No.</u>	<u>Part No.</u>	<u>Description</u>	<u>Illus. No.</u>	<u>Part No.</u>	<u>Description</u>
1		Literature Parts	14	3400113	Screw	27	W10735398	Filter, Water
	W11484052	Use & Care Guide	15		Assembly, Roller	28	W11242280	Clamp, Power Cord
	W11125075	Tech Sheet		W10304659	Right Hand	29	W10141645	Screw
	W11387666	Energy Guide	16		Filler, Wrapper	30	W11095731	Closer, Door (Freezer)
2		Assembly, Roller		W11219639	White	31	W10142234	Screw
	W10304660	Left Hand		W11219641	Black	32		Housing, Water Filter
3	2152958	Screw		W11219642	Grey		W11036340	White
4	2150304	Roller	17		Grille		W11036341	Black
5	2262072	Axle, Roller		W11226340	White		W11036338	Grey
6	W10329003	Clamp, Tube		W11226342	Black	33		Cabinet (Not A Servicable Part)
7	W11036715	Plate, Screw (Refrigerator)		W11226338	Grey		W10897565	Assembly, Bracket
	W10904380	Plate, Screw (Freezer)	18	W10290781	Screw, Hinge	34	W11175632	Locking Ring (1/4)
8	W11087168	Clip, Roller	19	W10179146	Assembly, Filter Valve	35	W11175631	Locking Ring (5/16)
9		Hinge, Top	20	W11252188	Double Lock Ring (1/4)		W10905504	Closer, Lower Cam Door (Refrigerator)
	W11167022	Left Hand	21	489464	Screw	36	W10691732	Tube, Water
	W11167023	Right Hand	22	W11424515	Fitting, Drain	37	W11091654	Connector, Double Lock
10	489500	Screw	23	W11404685	Extension, Drain Fitting	38	W10271541	Connector, Union
11	W10142283	Screw (White)	24	W11305037	Assembly, Cover	39		
	W10308487	Screw (Black)	25	W11097327	Assembly, Bottom Hinge (Refrigerator - Also includes Door Cam)			
	W10308489	Screw (Grey)						
12	W10900447	Tube, Filter Outlet	26	W10900449	Tube, Filter Inlet			
13	W11093938	Assembly, Bottom Hinge (Freezer)						



<u>Illus.</u> <u>No.</u>	<u>Part No.</u>	<u>Description</u>	<u>Illus.</u> <u>No.</u>	<u>Part No.</u>	<u>Description</u>	<u>Illus.</u> <u>No.</u>	<u>Part No.</u>	<u>Description</u>
1		Liner (Not A Serviceable Part)	4	W10141518	Screw	7	W11549780	Light Module, LED
2	W10166130	Lens, Light (Includes Gasket)	5	W11204060	Assembly, Air Diffuser (Includes RC & FC Thermistors)	8	W10847853	Switch, Light
3	W11531179	Tubing, Water Reservoir	6	W11048608	Cover, Air Diffuser	9	W10384183	Thermistor



<u>Illus.</u> <u>No.</u>	<u>Part No.</u>	<u>Description</u>	<u>Illus.</u> <u>No.</u>	<u>Part No.</u>	<u>Description</u>	<u>Illus.</u> <u>No.</u>	<u>Part No.</u>	<u>Description</u>
1	W11351248	Assembly, Cover	11	W10912335	Holder, Snack Pan	12	W10282883	Slide, Humidity
2	W11046494	Pan, Crisper				13	W10282880	Housing, Humidity
3	W11046495	Pan, Meat						
4	W10173126	Assembly, Shelf Stud						
5	W10191954	Screw						
6	W11046493	Pan, Snack						
7	W11034119	Shelf, Tuck						
8	W11135529	Assembly, Shelf						
9	W10904001	Holder, Pan						
10	W11351247	Shelf, Snack						





Illus.  
No.   Part No.   Description

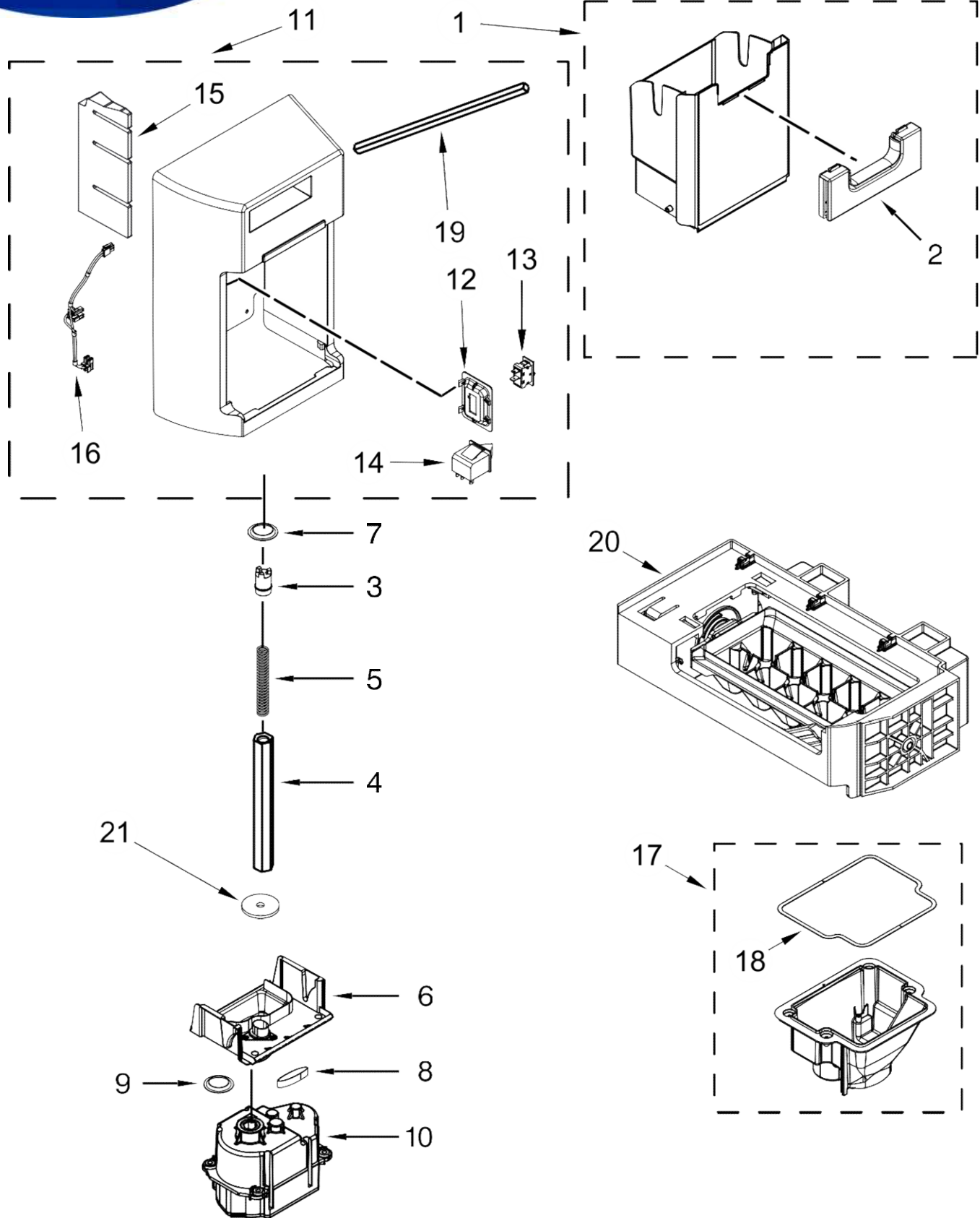
1		Liner (Not A Serviceable Part)
2	W11048567	Shelf, Glass
3	488208	Screw
4	W10847849	Switch, Light
5	W11454958	Shelf, Glass (Bottom)
6	W11427432	Bin, Freezer

Illus.  
No.   Part No.   Description

7	W10130299	Cup, Shelf
8	W10191952	Screw
9	W10173127	Assembly, Shelf Stud
10	W11048571	Shelf, Glass (Top)
11	W11183656	Assembly, Pizza Pocket
12	2315163	Clip, Air Duct

Illus.  
No.   Part No.   Description

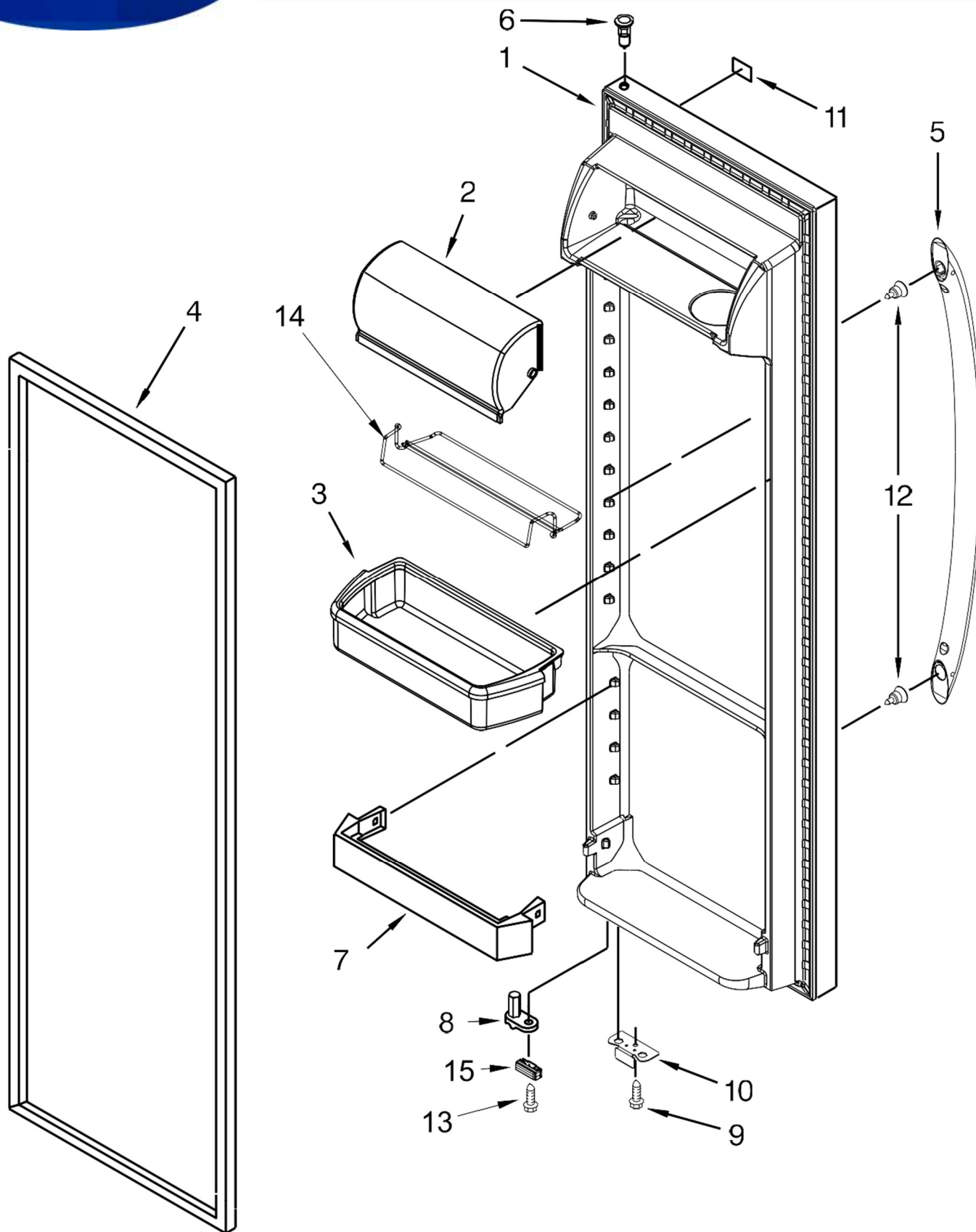
13	W11084314	Duct Air, Freezer
14	W11108242	Pivoting Shelf
15	W11549780	Light Module, LED



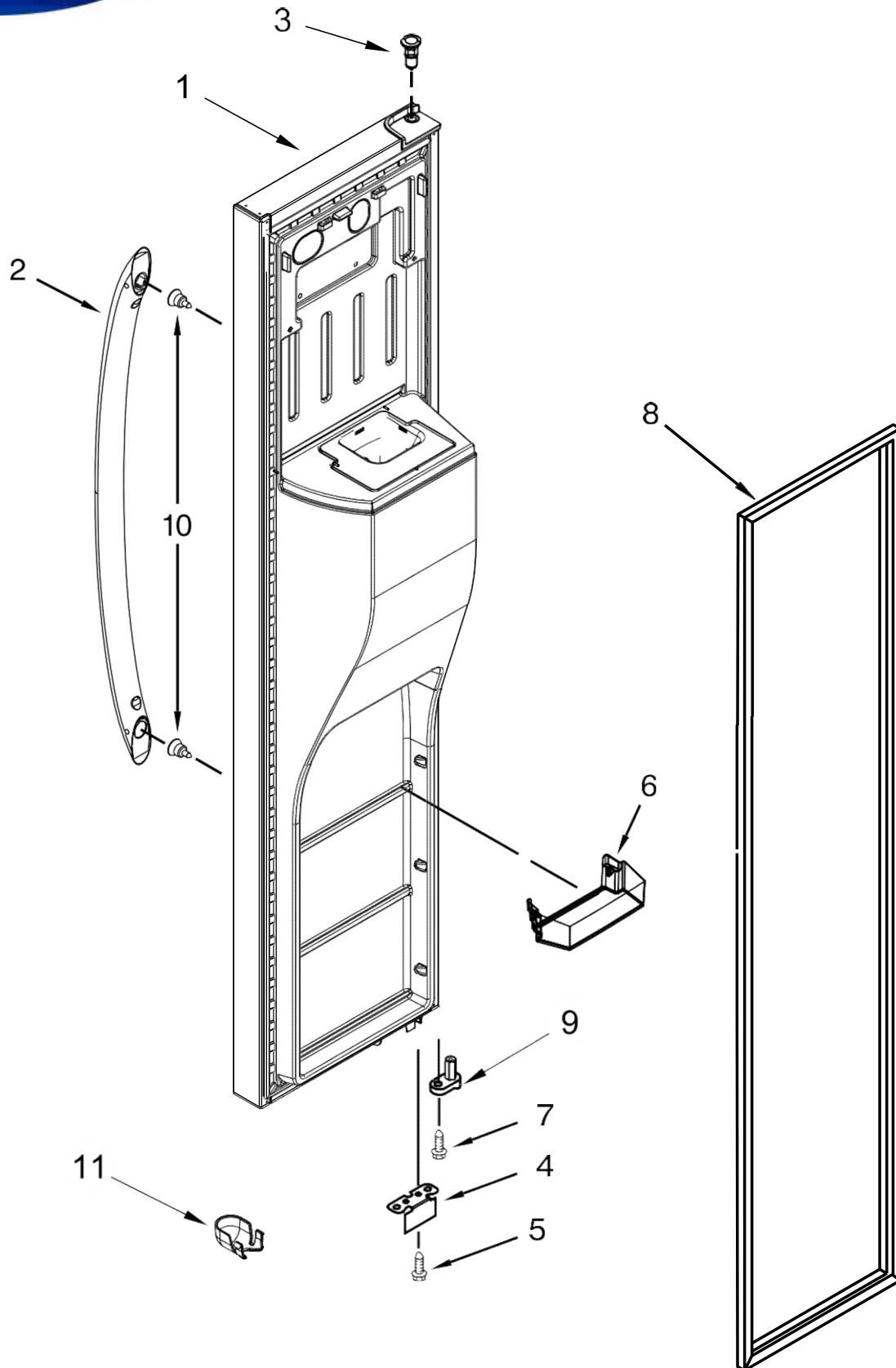
<u>Illus.</u> <u>No.</u>	<u>Part No.</u>	<u>Description</u>
1	W11196076	Ice Container (Complete)
2	W10693542	Assembly, Latch
3	2220458	Coupling, Bottom
4	W10258544	Shaft, Drive
5	W10754509	Spring, Coupling
6	W10293212	Assembly, Mounting Plate
7	2198628	Seal

<u>Illus.</u> <u>No.</u>	<u>Part No.</u>	<u>Description</u>
8	W10291905	Gasket
9	2212370	Washer
10	W11117906	Motor, Dispenser
11	W11466857	Cover, Container
12	W11341247	Plate, Switch
13	W11311953	Switch, Energy Saver
14	W11032814	Switch, Rocker Arm
15	W10905506	Filler, EPS Icemaker Cover

<u>Illus.</u> <u>No.</u>	<u>Part No.</u>	<u>Description</u>
16	W10646076	Assembly, Wire Jumper Switch
17	W10771442	Assembly, Motor Box
18	W10166854	Gasket
19	W10400435	Gasket, Foam
20	W11130444	Assembly, Ice Maker
21	2305382	Boot, Rubber



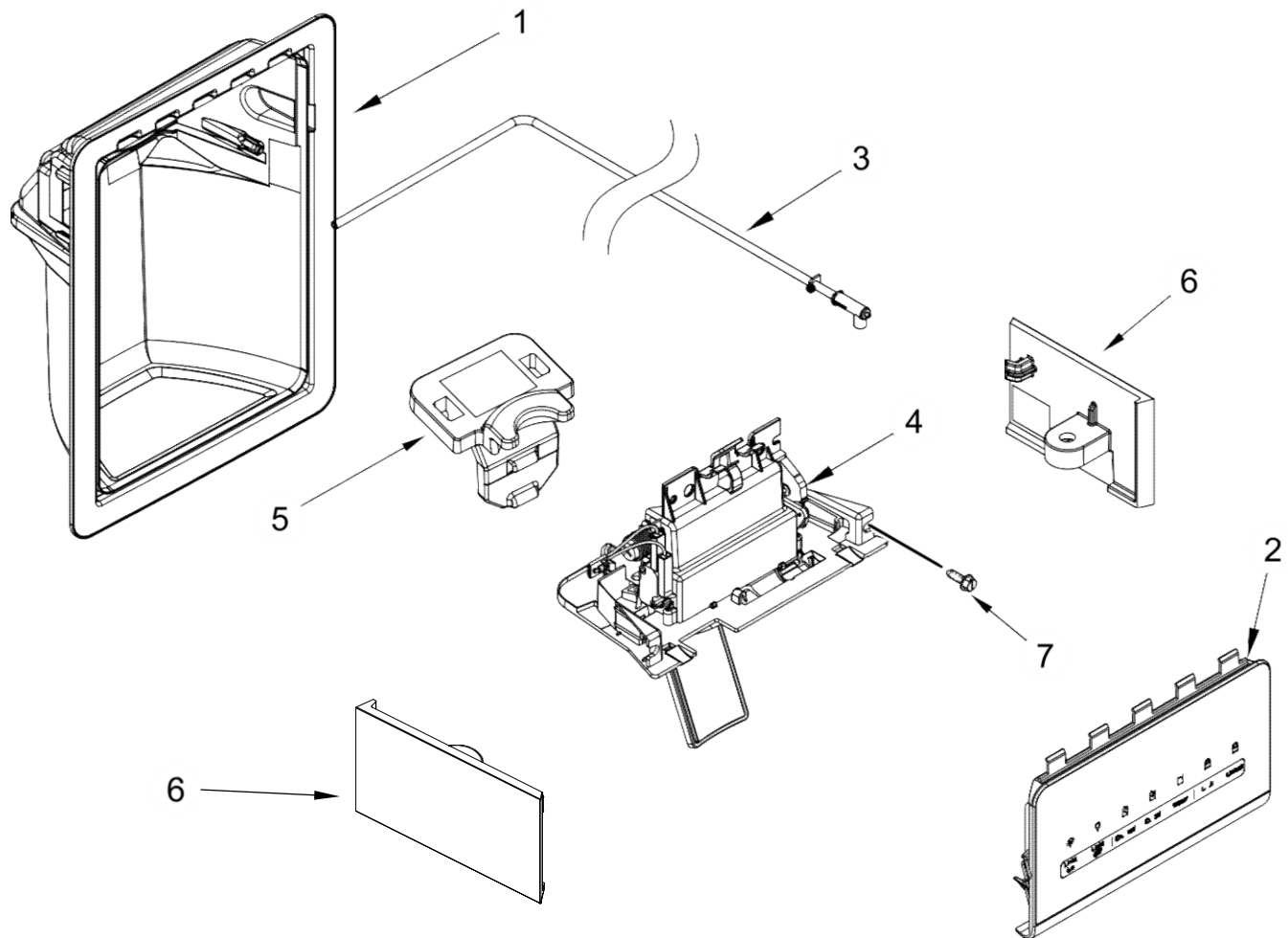
<u>Illus.</u> <u>No.</u>	<u>Part No.</u>	<u>Description</u>	<u>Illus.</u> <u>No.</u>	<u>Part No.</u>	<u>Description</u>	<u>Illus.</u> <u>No.</u>	<u>Part No.</u>	<u>Description</u>
1		Door, Refrigerator (Includes Door Gasket)	5		Handle	13	W10296804	Screw
				W11289637	White	14	W11034218	Rack, Can
				W11289638	Black	15		Bumper, Door
				W11289639	Black Stainless		W10407175	White
		Black Stainless		W11289640	Stainless		W10407187	Black
		Stainless	6	2200087	Thimble		W10407188	Grey
2	2256101	Door, Compartment	7	2309941	Trivet			
3	W10900538	Bin, Door	8	W10900464	Thimble, Cam			
4		Gasket, Door	9	W10296816	Screw			
	W10912123	Beige	10		Bracket, Door Stop			
	W10912133	Black		W11481760	Black			
	W10912081	Grey	11	W10884773	Badge			
			12	W10460893	Screw			



<u>Illus. No.</u>	<u>Part No.</u>	<u>Description</u>
1		Door, Freezer (Includes Door Gasket)
	2	Black Stainless
		Stainless

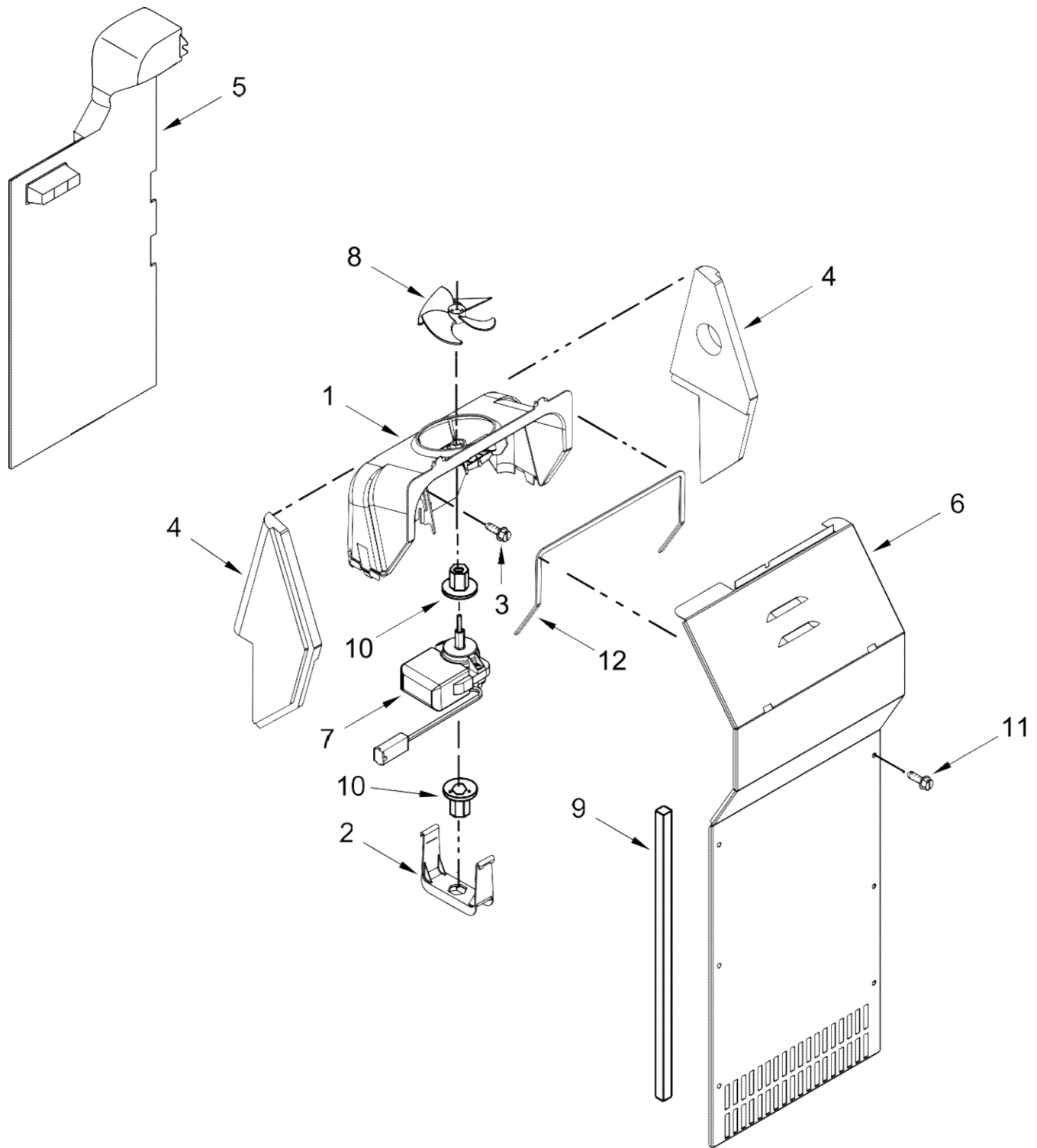
<u>Illus. No.</u>	<u>Part No.</u>	<u>Description</u>
2		Handle
	W11289637	White
	W11289638	Black
	W11289639	Black Stainless
	W11289640	Stainless
3	2200087	Thimble
4	W11481757	Bracket, Door Stop
5	W10296816	Screw
6	W11091189	Trivet

<u>Illus. No.</u>	<u>Part No.</u>	<u>Description</u>
7	W10296804	Screw
8		Gasket, Door
	W10911412	Beige
	W10911422	Black
	W10911389	Grey
9		Thimble, Cam
10	W10460893	Screw
11	W11427367	Cover, Wire

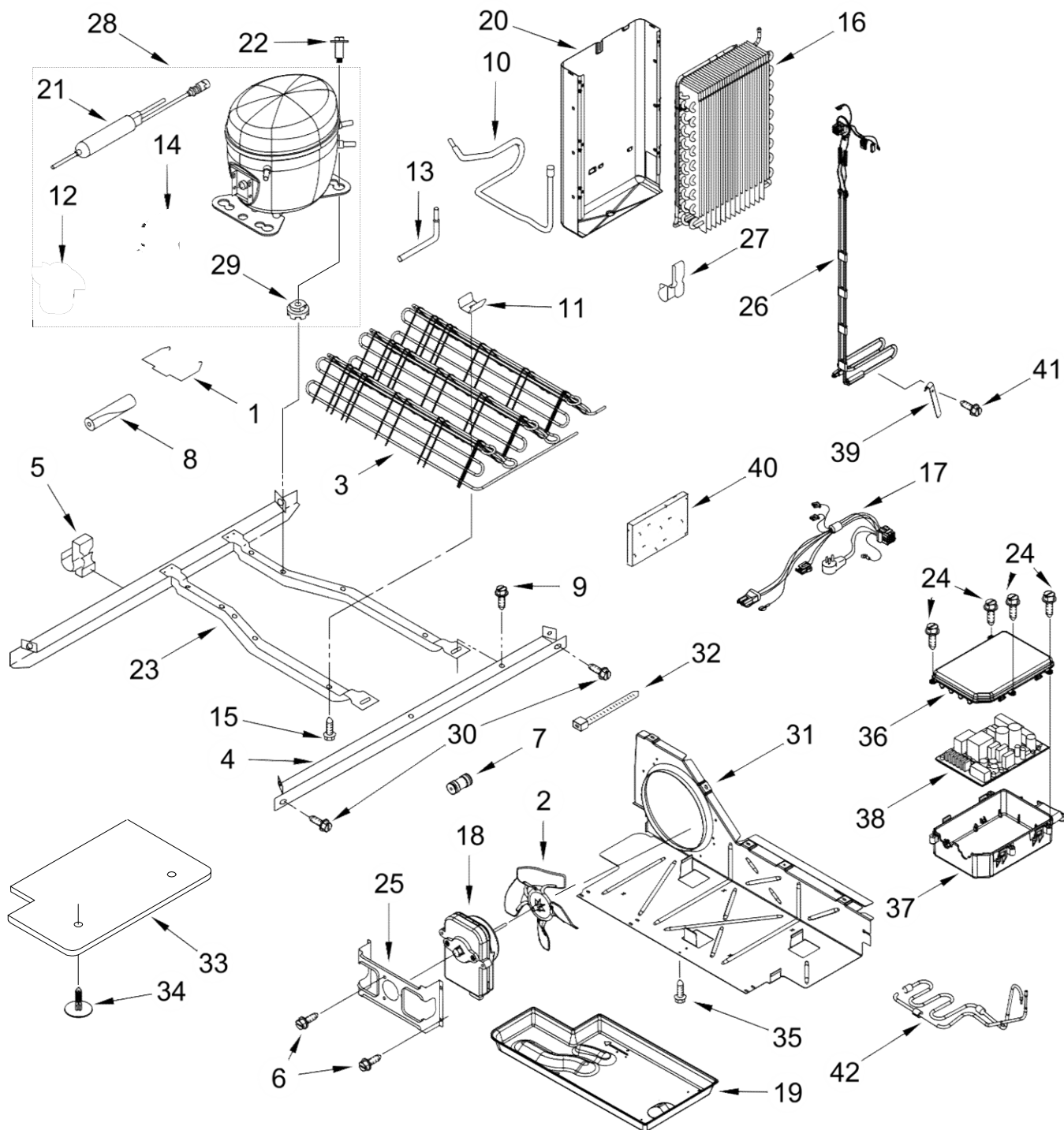




<u>Illus. No.</u>	<u>Part No.</u>	<u>Description</u>	<u>Illus. No.</u>	<u>Part No.</u>	<u>Description</u>	<u>Illus. No.</u>	<u>Part No.</u>	<u>Description</u>
1		Housing, Dispenser (Not Serviced)	4		Assembly, Separator	6		Front Cover, Dispenser
2		Assembly, User Interface (Includes Light Feature)			e			
	W11456119	Black		W11355295	Black		W11183318	White (Left Hand)
	W10898317	Assembly, Water Fitting		W11355294	Grey		W11183314	White (Right Hand)
			5	W11039857	Retainer, Separator Hose		W11183317	Black (Left Hand)
							W11183313	Black (Right Hand)
						7	8281163	Screw (Stainless)



<u>Illus.</u> <u>No.</u>	<u>Part No.</u>	<u>Description</u>	<u>Illus.</u> <u>No.</u>	<u>Part No.</u>	<u>Description</u>	<u>Illus.</u> <u>No.</u>	<u>Part No.</u>	<u>Description</u>
1	W11228713	Scroll, Fan	5	W11084384	Duct, Freezer Air	11	W10142292	Screw
2	W10188846	Retainer, Fan Motor	6	W10505307	Cover, Evaporator	12	2155789	Gasket
3	489478	Screw	7	2315549	Motor, Fan			
4		Support, Fan Scroll	8	2169142	Blade, Fan			
	W11414496	Left Hand	9	2304241	Gasket			
	W11414497	Right Hand	10	2176759	Grommet, Motor			



<u>Illus.</u> <u>No.</u>	<u>Part No.</u>	<u>Description</u>	<u>Illus.</u> <u>No.</u>	<u>Part No.</u>	<u>Description</u>	<u>Illus.</u> <u>No.</u>	<u>Part No.</u>	<u>Description</u>
1	W10900426	Strap, Bale	19	W10897557	Tray, Evaporator	31	W10897567	Baffle, Air
2	2225834	Blade, Fan	20	W11400740	Assembly, Heat Shield and Drain Pan	32	2263990	Tie, Wire
3	W10904626	Assembly, Condenser  (Also Order the Following Lokring Parts)	21	W10805035	Drier (Service Drier Without Dye)  (Also Order the Following Lokring Parts)	33	W10897560	Assembly, Unit Cover (Bottom)
	W11506623	5 NK MS 00 (High Side to Condenser)		W11504433	6/4 NR MS 00 (Heat Loop to Drier)	34	489396	Clip
	W11504445	5/4 NR MS 00 (Suction Line to Condenser)		W11504447	5/1.8 NR MS 00 (Capillary Tube to Drier)	35	489464	Screw
4	W10900442	Rail, Unit Mounting				36	W10313215	Cover, Electronic Control
5	2326941	Clip, Wire	22	W10476309	Screw	37	2323186	Box, Control
6	8533993	Screw	23	W10900446	Frame, Unit Mounting (Includes Unit Mounting Rail)	38		Control, Electronic
7	W10277958	Connector, Water				39	W11399989	Heat Probe
8	2161302	Sleeve	24	8533859	Screw	40	2169104	Insulation, Sound Deadening
9	489427	Screw	25	2181929	Bracket, Fan Mounting	41	489478	Screw
10	2311725	Tube, Suction	26		Assembly, Defrost Heater	42	W11502743	Assembly, Precooler Formed
11	2311725	Clip, Condenser						REFRIGERANT CHARGE
12		Tube, Process						68 grams (R600a)
13			27	2304287	Clip			
14			28	W10900446	Compressor  (Also Order the Following Lokring Parts)			
15	8281232	Screw		W11504415	8.5/8 NR MS 00 (Suction Tube to Compressor)			
16	W11357918	Evaporator  (Also Order the Following Lokring Parts)		W11504431	7/5 NR MS 00 (High Pressure Side to Compressor)			
	W11504448	5/1.8 NR AL 00 (Capillary Tube to Evaporator)		W11506619	8 NK MS 00 (Process Tube to Compressor)			
	W11506620	8 NK AL 00 (Suction Line to Evaporator)						
17	W11218408	Assembly, Unit Wire	29	10835903	Grommet			
18	W10522629	Motor, Condenser Fan	30	489340	Bolt			

# OPTIONAL PARTS

## PAINT, PRESSURIZED SPRAY (12 OZ.)

<u>Illus. No.</u>	<u>Part No.</u>	<u>Description</u>
	350942	White Primer
	350939	Enamel, Black
	350930	White
	4392901	Biscuit and Bisque

## PAINT, TOUCH-UP (1/2OZ.)

<u>Illus. No.</u>	<u>Part No.</u>	<u>Description</u>
	72017	White
	72032	Black
	4392899	Biscuit and Bisque
	W10134625	Apollo Grey

## PAINT, BULK (1 QT.)

<u>Illus. No.</u>	<u>Part No.</u>	<u>Description</u>
	799344	White (Uncut)
	4392900	Biscuit/Bisque

## MISCELLANEOUS

<u>Illus. No.</u>	<u>Part No.</u>	<u>Description</u>
	212643	Sealer, Gum (4 Feet)
	479502	Tape, Vinyl (3/4 x 108")
	505587	Sealer, Mastic (1 Qt)
	503695	Cork, Sealer
	542638	Grease, Silicone (1/2 Oz.)
	542639	Cement, Alumilastic (1 1/4 Oz.)
	833938	Kit, Terminal Connector
	8003RP	Kit, Water Inlet
	W10300794	Kit, Handle Installation

## TORX SCREW WRENCH

<u>Illus. No.</u>	<u>Part No.</u>	<u>Description</u>
	1117510	Torx Key