



**LAVAVAJILLAS WDF760SAD**

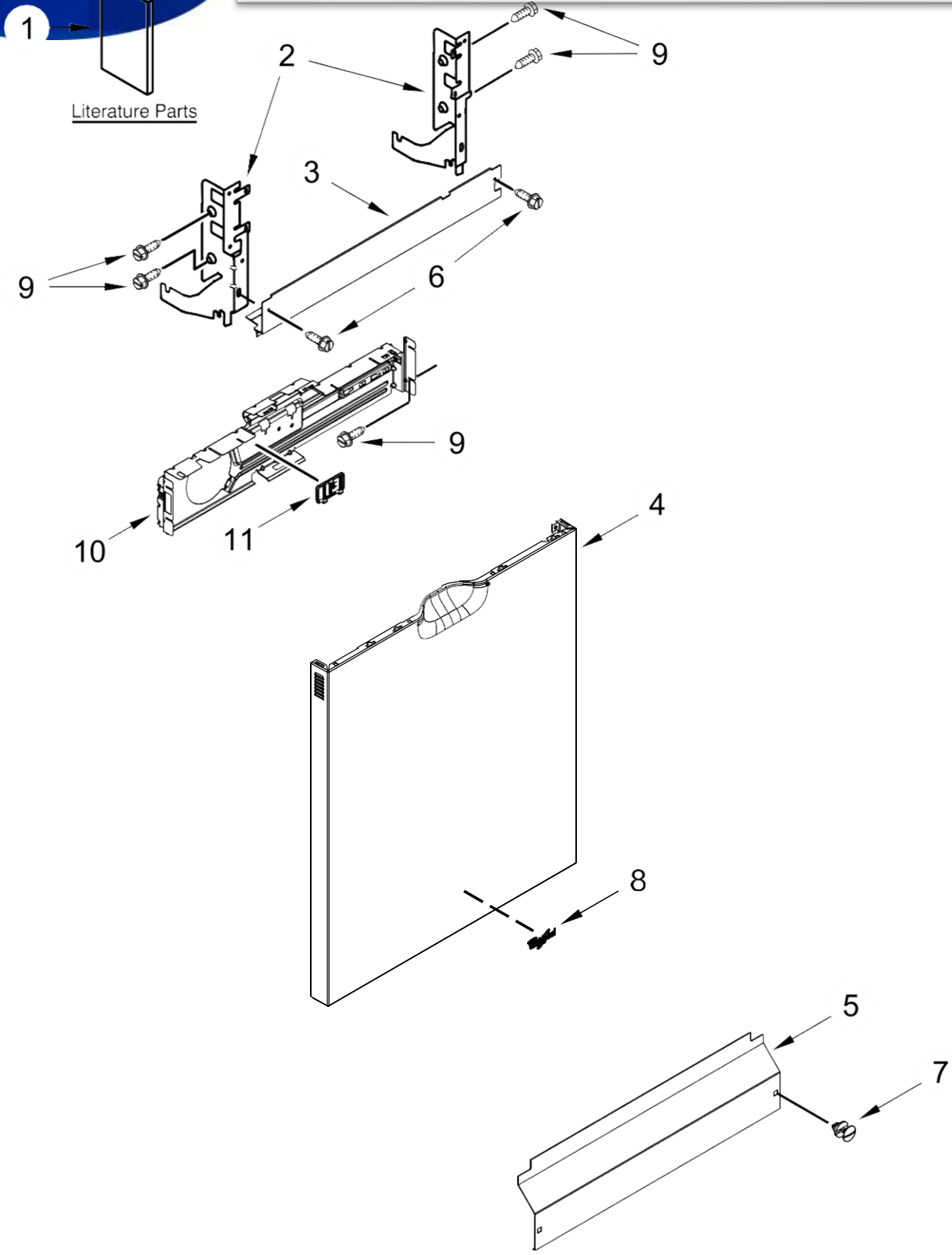
**UNDERCOUNTER DISHWASHER**

**MODELS:**

WDF760SADB2 (Black)  
WDF760SADW2 (White)  
WDF760SADT2 (Biscuit)  
WDF760SADM2 (Stainless)

BENITO JUÁREZ #1500 GPE ZITON, CD. GUADALUPE NUEVO LEÓN TEL: 8183377999 Y 49  
HORARIOS: LUNES A VIERNES 8:30 A 6:00 PM Y SÁBADOS DE 8:30 A 2:00 PM

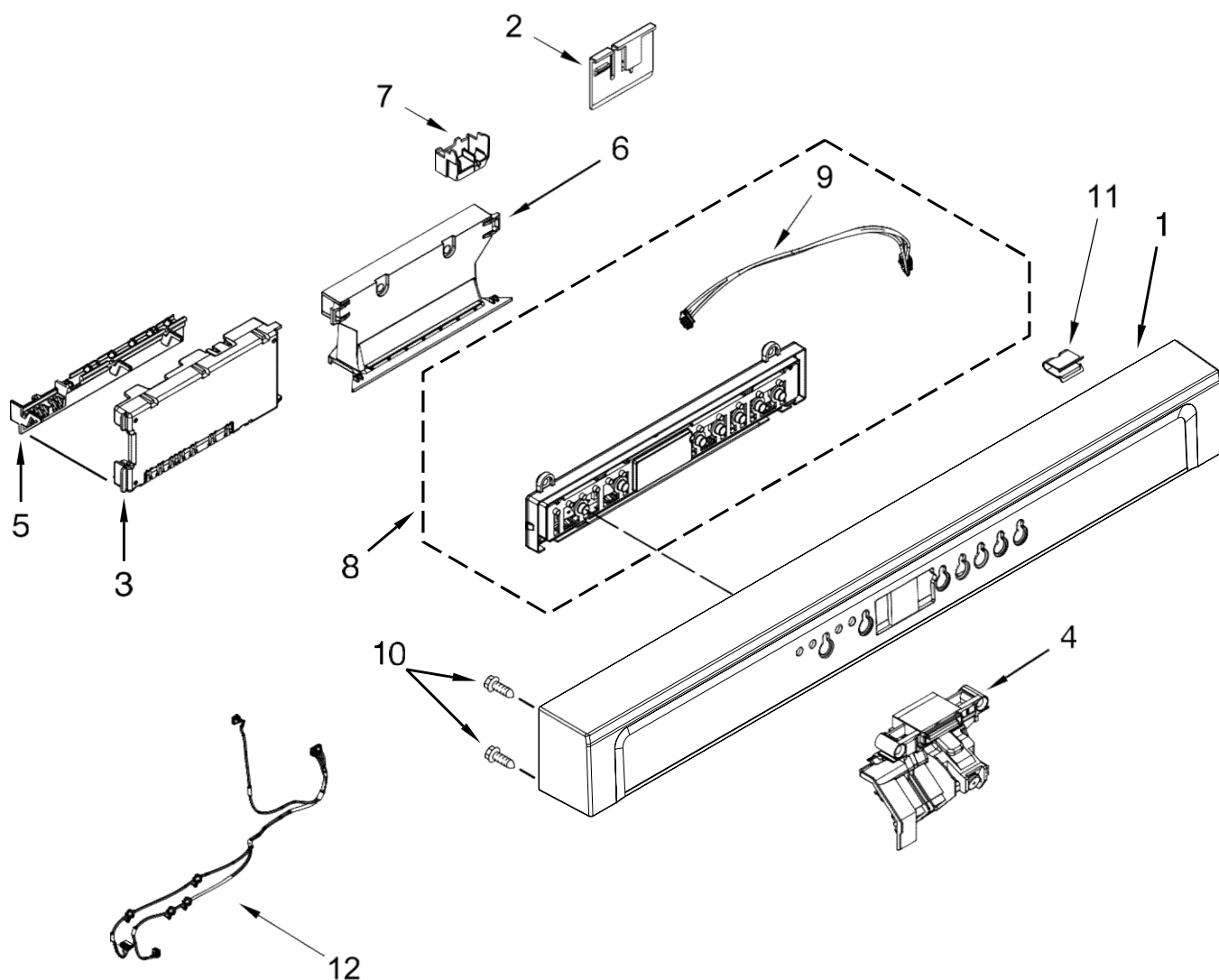
[www.denek.com](http://www.denek.com)



| <u>Illus. No.</u> | <u>Part No.</u> | <u>Description</u>        |
|-------------------|-----------------|---------------------------|
| 1                 |                 | Literature Parts          |
|                   | W10741197       | Installation Instructions |
|                   | W10787949       | Energy Guide              |
|                   | W10656407       | Use & Care Guide          |
|                   | W10751166       | Tech Sheet, English       |
| 2                 |                 | Arm, Hinge                |
|                   | 8534854         | Left Hand                 |
| 3                 |                 | Barrier, Vapor            |
|                   | W10726645       |                           |

| <u>Illus. No.</u> | <u>Part No.</u> | <u>Description</u>                |
|-------------------|-----------------|-----------------------------------|
| 4                 |                 | Panel, Front (Includes Nameplate) |
|                   | W10698612       | Black                             |
|                   | W10698613       | White                             |
|                   | W10698614       | Biscuit/Bisque                    |
|                   | W10698615       | Stainless                         |
| 5                 |                 | Access Panel                      |
|                   | W10441006       | Black                             |
|                   | W10441007       | White                             |
| 6                 |                 | Bracket, Control                  |
|                   | W10441008       | Biscuit/Bisque                    |
| 6                 |                 | Spacer, Control Bracket Panel     |
|                   | 304392          | Screw                             |

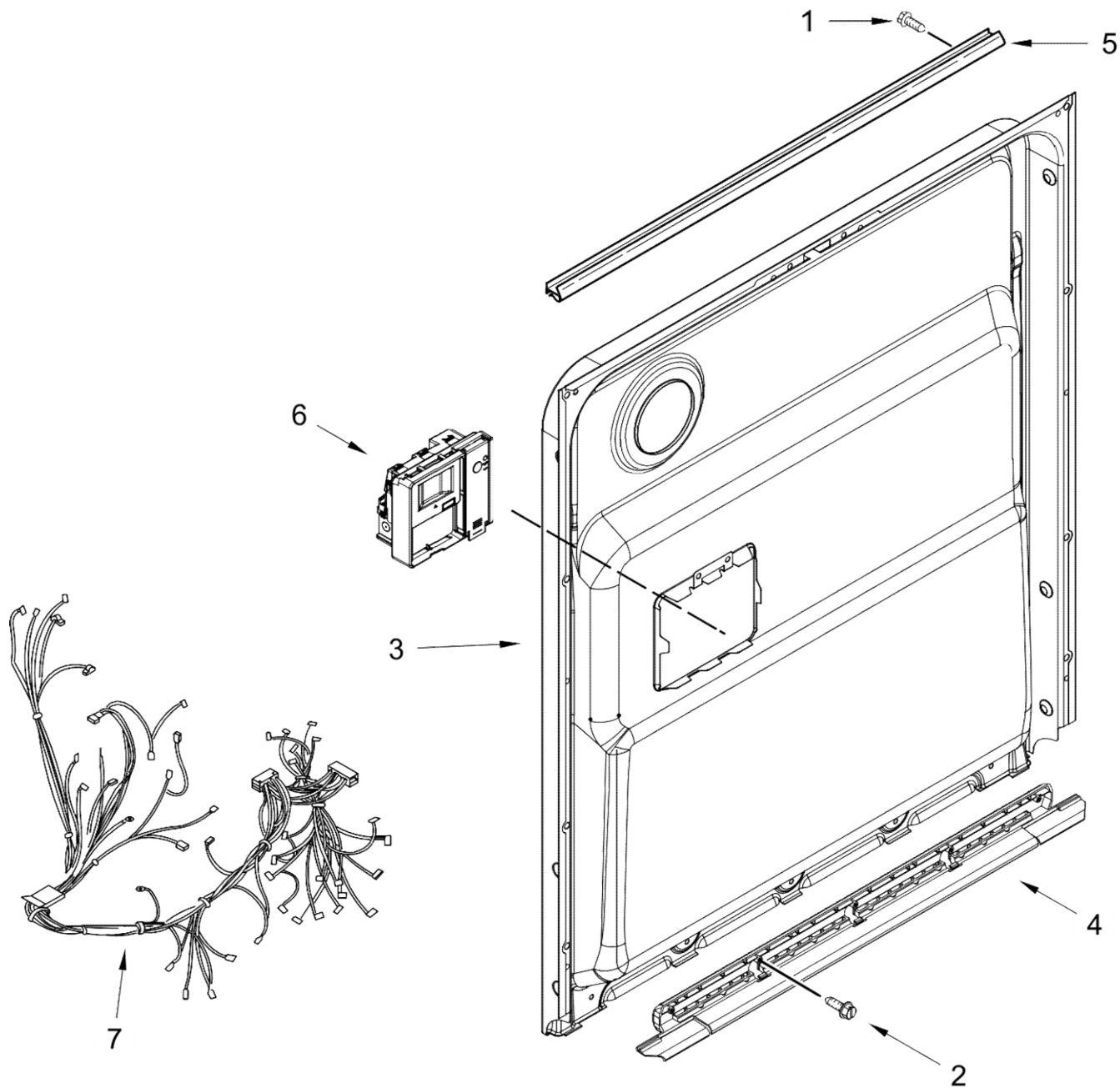
| <u>Illus. No.</u> | <u>Part No.</u> | <u>Description</u>            |
|-------------------|-----------------|-------------------------------|
| 7                 |                 | Fastener                      |
|                   | W10503548       | Black                         |
|                   | W10503549       | White                         |
| 8                 |                 | Bracket, Control              |
|                   | W10503550       | Biscuit/Bisque Nameplate      |
| 9                 |                 | Fastener                      |
|                   | W10393264       | Grey                          |
| 9                 |                 | Spacer, Control Bracket Panel |
|                   | W10387117       | White                         |
| 9                 |                 | Bracket, Control              |
|                   | 3400071         | Screw                         |
| 10                |                 | Spacer, Control Bracket Panel |
|                   | W10641745       | Bracket, Control              |
| 11                |                 | Spacer, Control Bracket Panel |
|                   | W10463662       | Spacer, Control Bracket Panel |



| <u>Illus.</u><br><u>No.</u> | <u>Part No.</u> | <u>Description</u>                    |
|-----------------------------|-----------------|---------------------------------------|
| 1                           |                 | Console Assembly<br>(Includes Insert) |
|                             | W10644293       | Black                                 |
|                             | W10644294       | White                                 |
|                             | W10644295       | Biscuit/Bisque                        |
|                             | W10644296       | Stainless                             |
| 2                           | W10195237       | Clip, Control                         |

| <u>Illus.</u><br><u>No.</u> | <u>Part No.</u> | <u>Description</u>                  |
|-----------------------------|-----------------|-------------------------------------|
| 3                           | W10746417       | Control, Electronic                 |
| 4                           | W10653840       | Latch Assembly<br>(Includes Switch) |
| 5                           | W10194937       | Brace, Connector                    |
| 6                           |                 | Handle Pocket                       |
|                             | W10629511       | Black                               |
| 7                           | W10756253       | Box, Connector                      |

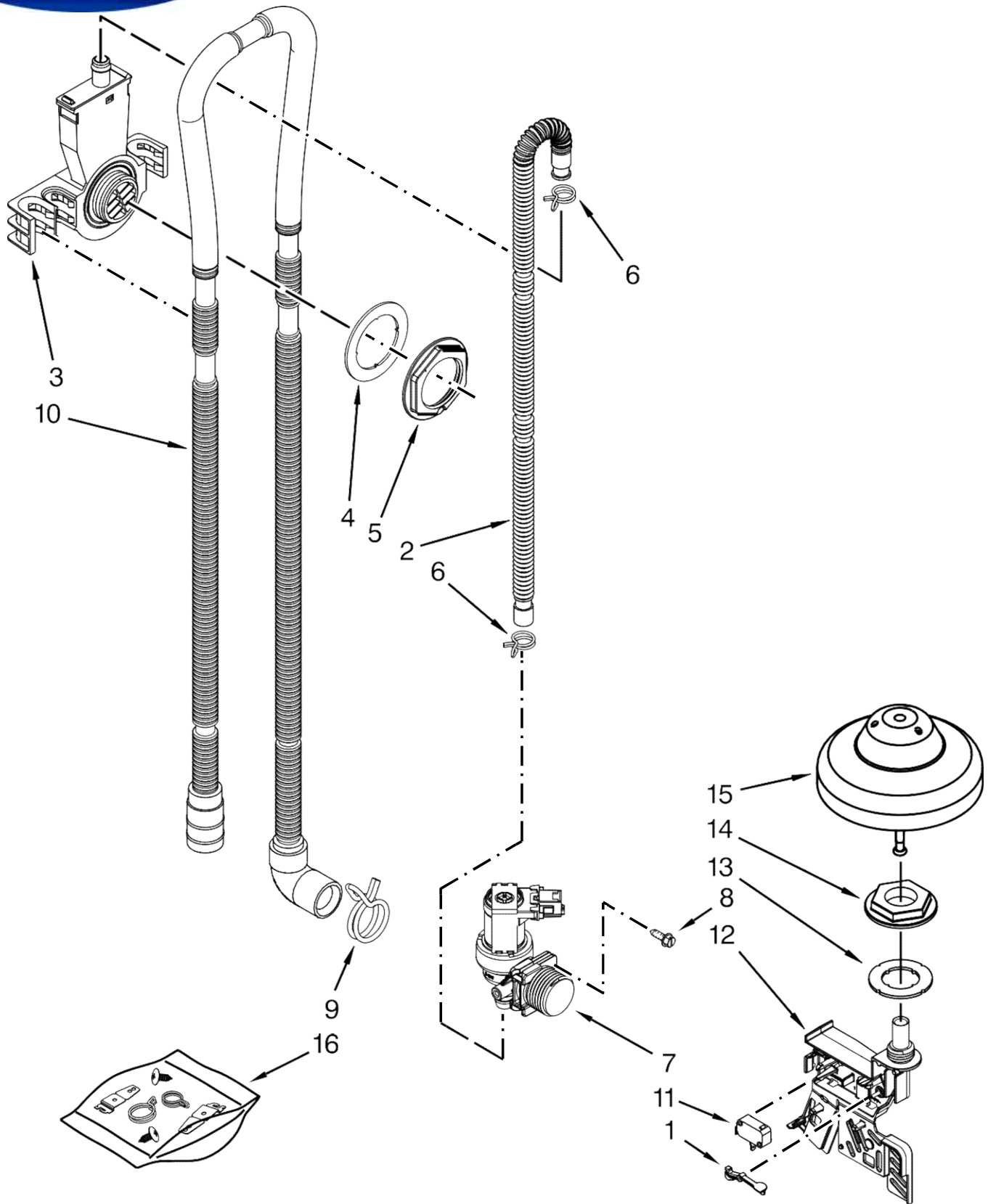
| <u>Illus.</u><br><u>No.</u> | <u>Part No.</u> | <u>Description</u>                  |
|-----------------------------|-----------------|-------------------------------------|
| 8                           | W10671940       | Housing Assembly, User<br>Interface |
| 9                           | W10566903       | Jumper, 4-Wire                      |
| 10                          | W10348408       | Screw                               |
| 11                          | W10485367       | Clip, Panel                         |
| 12                          | W10751782       | Jumper, Door Switch                 |



| <u>Illus.</u><br><u>No.</u> | <u>Part No.</u> | <u>Description</u>  |
|-----------------------------|-----------------|---------------------|
| 1                           | W10348409       | Screw               |
| 2                           | W10177098       | Screw               |
| 3                           | W10713614       | Inner Door Assembly |

| <u>Illus.</u><br><u>No.</u> | <u>Part No.</u> | <u>Description</u> |
|-----------------------------|-----------------|--------------------|
| 4                           | W10667473       | Seal, Door Bottom  |
| 5                           | W10195007       | Seal, Console/Door |

| <u>Illus.</u><br><u>No.</u> | <u>Part No.</u> | <u>Description</u>  |
|-----------------------------|-----------------|---------------------|
| 6                           | W10620296       | Dispenser, Assembly |
| 7                           | W10744908       | Wiring Harness      |

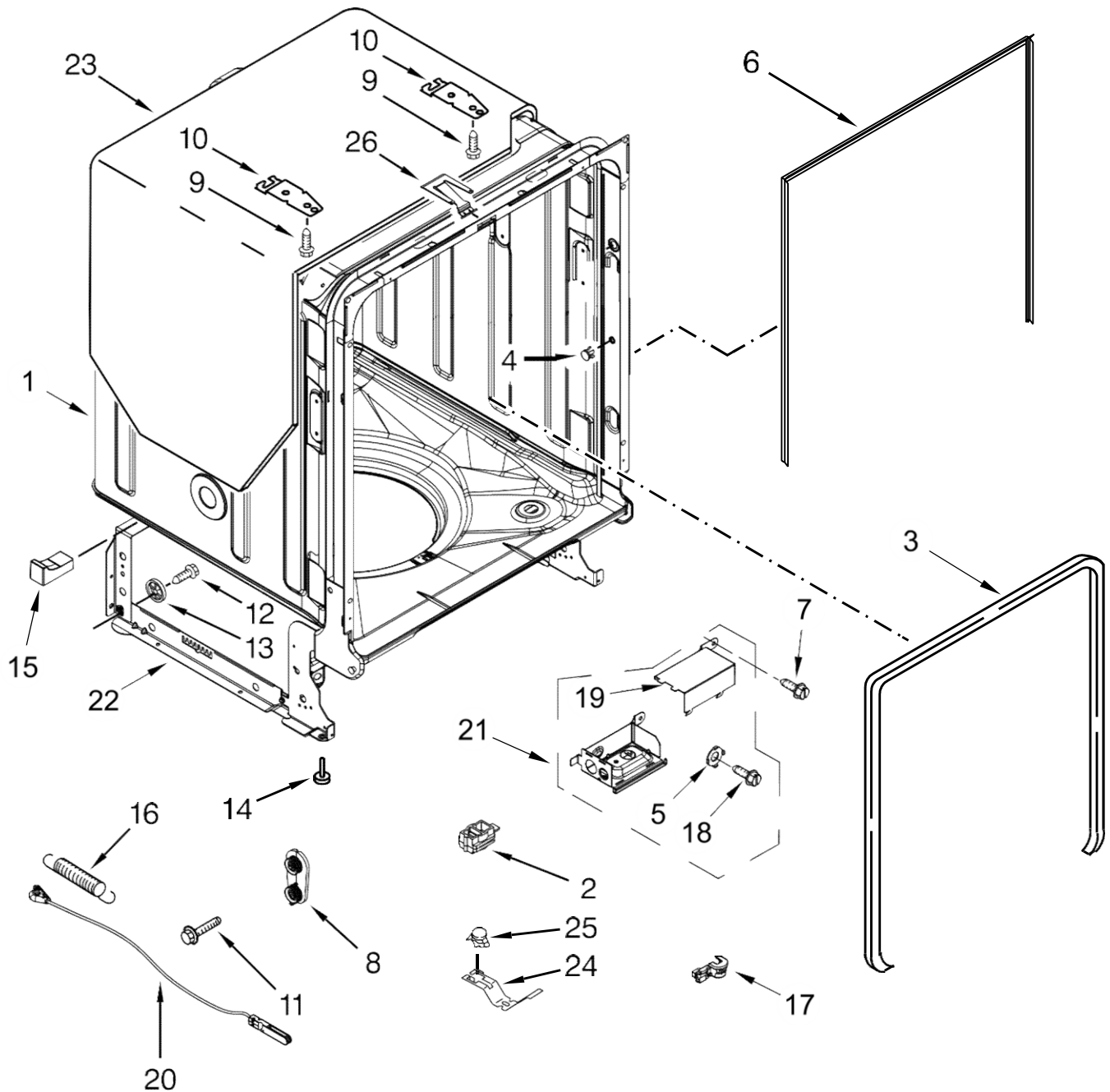




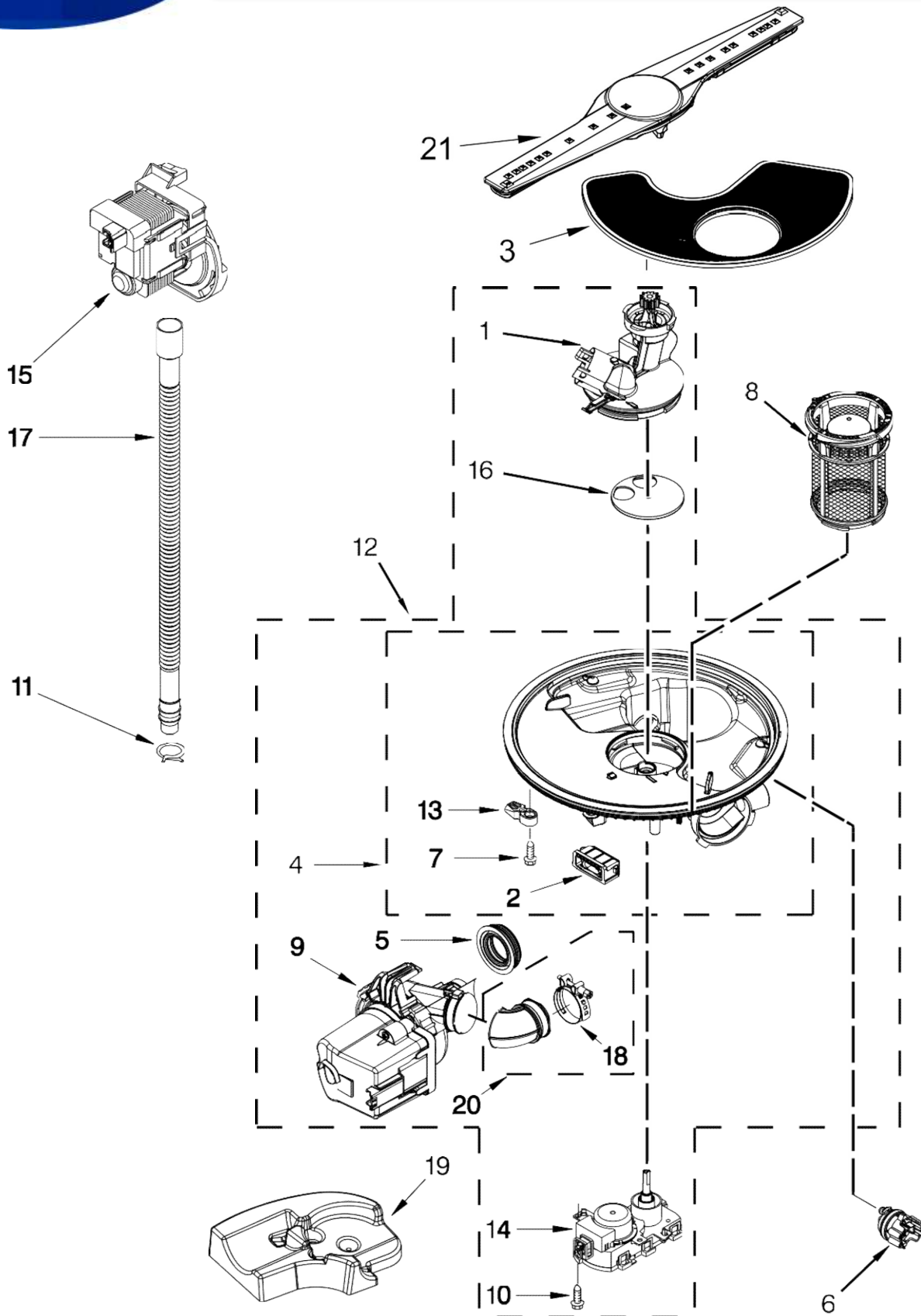
| <u>Illus.</u><br><u>No.</u> | <u>Part No.</u> | <u>Description</u>                      |
|-----------------------------|-----------------|---|
| 1                           | W10195037       | Lever, Overfill Switch                  |
| 2                           | 8531412         | Hose                                    |
| 3                           | W10195536       | Inlet, Water<br>(Also Order Item 4)     |
| 4                           | 8531323         | Gasket                                  |
| 5                           | W10213825       | Nut, Water Inlet<br>(Also Order Item 4) |
| 6                           | 371505          | Clamp, Hose                             |

| <u>Illus.</u><br><u>No.</u> | <u>Part No.</u> | <u>Description</u>                        |
|-----------------------------|-----------------|---|
| 7                           | W10327249       | Fill Valve Assembly                       |
| 8                           | 304392          | Screw                                     |
| 9                           | 371505          | Clamp, Hose                               |
| 10                          | W10545278       | Drain Loop with Check<br>Valve Assembly   |
| 11                          | W10195039       | Switch, Overfill Control                  |
| 12                          | W10647205       | Housing, Overfill<br>(Also Order Item 13) |

| <u>Illus.</u><br><u>No.</u> | <u>Part No.</u> | <u>Description</u>  |
|-----------------------------|-----------------|---|
| 13                          | 8531743         | Gasket, Flat  |
| 14                          | W10195038       | Nut, Standpipe  |
| 15                          | W10195036       | Float & Retainer<br>Assembly  |
| 16                          | W10292152       | Miscellaneous Parts<br>Bag (Contains 2 Screws,<br>2 Clamps, & 2 Brackets) |



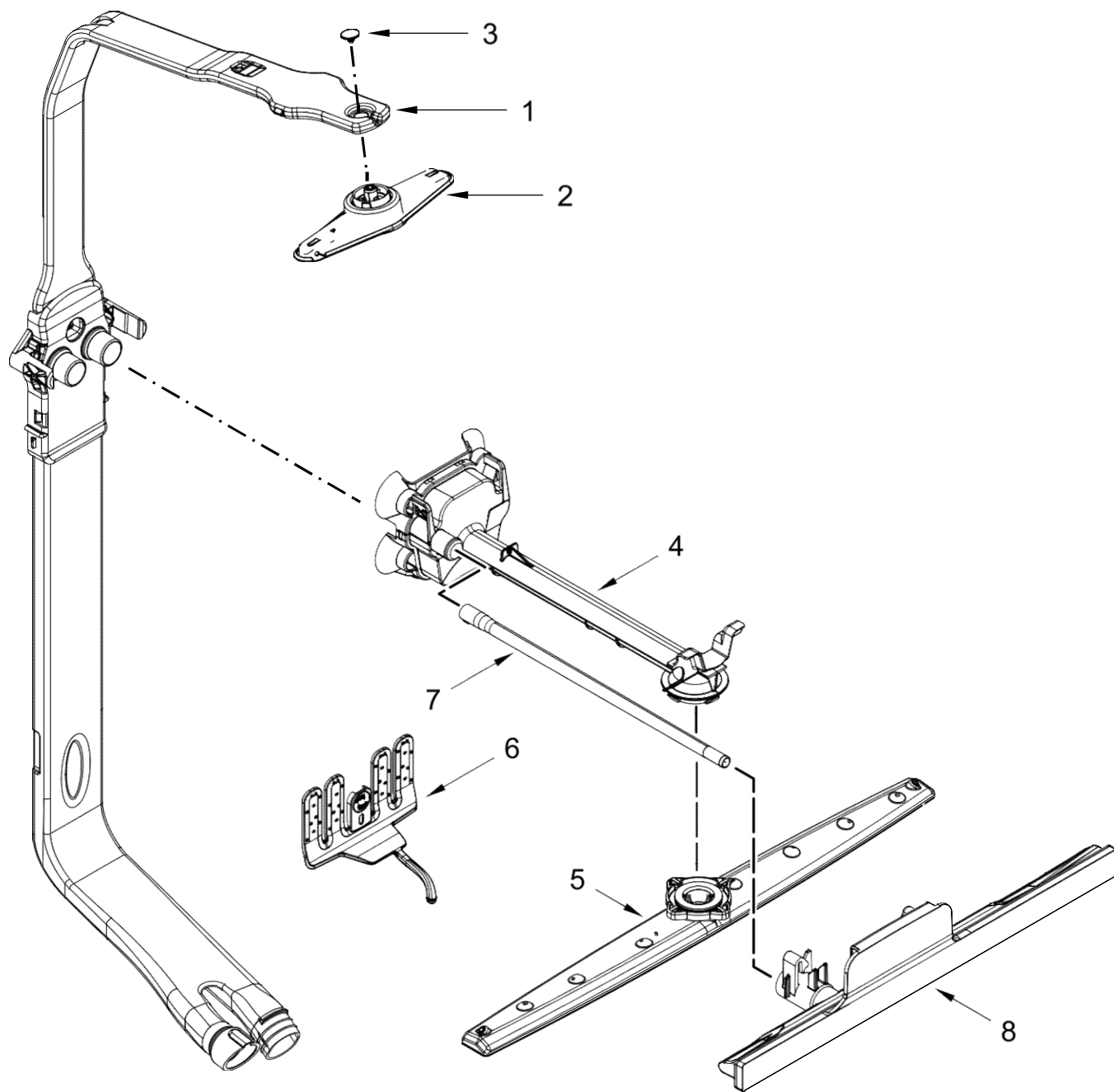
| <u>Illus.</u> | <u>No.</u> | <u>Part No.</u> | <u>Description</u>                         | <u>Illus.</u> | <u>No.</u> | <u>Part No.</u>       | <u>Description</u> | <u>Illus.</u> | <u>No.</u>             | <u>Part No.</u> | <u>Description</u> |
|---------------|------------|-----------------|--|---------------|------------|-----------------------|--------------------|---------------|------------------------|-----------------|--------------------|
|               | 1          | W10681492       | Tub Assembly (Includes<br>Heater Assembly) | 10            | 8269145    | Bracket, Undercounter | 18                 | 3400892       | Screw                  |                 |                    |
| 2             |            | W10292870       | Shield, Thermostat                         | 11            | 3400074    | Screw                 | 19                 | W10653292     | Cover, Terminal Box    |                 |                    |
|               | 3          | W10300924       | Gasket, Tub                                | 12            | W10348411  | Screw                 | 20                 | W10158291     | Cable, Door            |                 |                    |
|               | 4          | W10623354       | Plug, Tub                                  | 13            | W10190778  | Wheel Leg             | 21                 | W10713315     | Assembly, Terminal Box |                 |                    |
|               | 5          | 3378128         | Washer, Pronged Cup                        | 14            | W10619352  | Leveler, Leg          | 22                 | W10681564     | Support Assembly, Rear |                 |                    |
|               | 6          | W10179427       | Seal, Cabinet                              | 15            |            | Spacer, Tub Brace     | 23                 | 8573240       | Shield, Tub Sound      |                 |                    |
|               | 7          | 3400014         | Screw, Grounding                           |               | W10195630  | Left Hand             | 24                 | W10300703     | Bracket, Thermostat    |                 |                    |
|               | 8          | W10084086       | Door Balance Assembly                      |               | W10195631  | Right Hand            | 25                 | W10195091     | Thermostat             |                 |                    |
|               | 9          | 3367670         | Screw                                      | 16            | 8270020    | Spring, Door Balance  | 26                 | W10544004     | Strike, Latch          |                 |                    |
|               |            |                 |  | 17            | W10337661  | Strain Relief         |                    |               |                        |                 |                    |



| <u>Illus.</u><br><u>No.</u> | <u>Part No.</u> | <u>Description</u>                          |
|-----------------------------|-----------------|---|
| 1                           | W10629542       | Cover, Outlet                               |
| 2                           | W10195086       | Motor, Isolator                             |
| 3                           | W10463906       | Screen                                      |
| 4                           | W10455268       | Sump With Seal<br>(Also Order Items 5 & 20) |
| 5                           | W10538166       | Grommet                                     |
| 6                           | W10705575       | Indicator, Optical Wash                     |
| 7                           | W10348407       | Screw                                       |

| <u>Illus.</u><br><u>No.</u> | <u>Part No.</u> | <u>Description</u>                 |
|-----------------------------|-----------------|------------------------------------|
| 8                           | W10693534       | Filter Cup Assembly                |
| 9                           | W10529163       | Motor<br>(Also Order Items 5 & 20) |
| 10                          | 9741232         | Screw                              |
| 11                          | 8269146         | Clamp, Hose                        |
| 12                          | W10671942       | Sump & Motor Assembly              |
| 13                          | W10372113       | Tab, Sump                          |
| 14                          | W10476222       | Motor, Diverter                    |

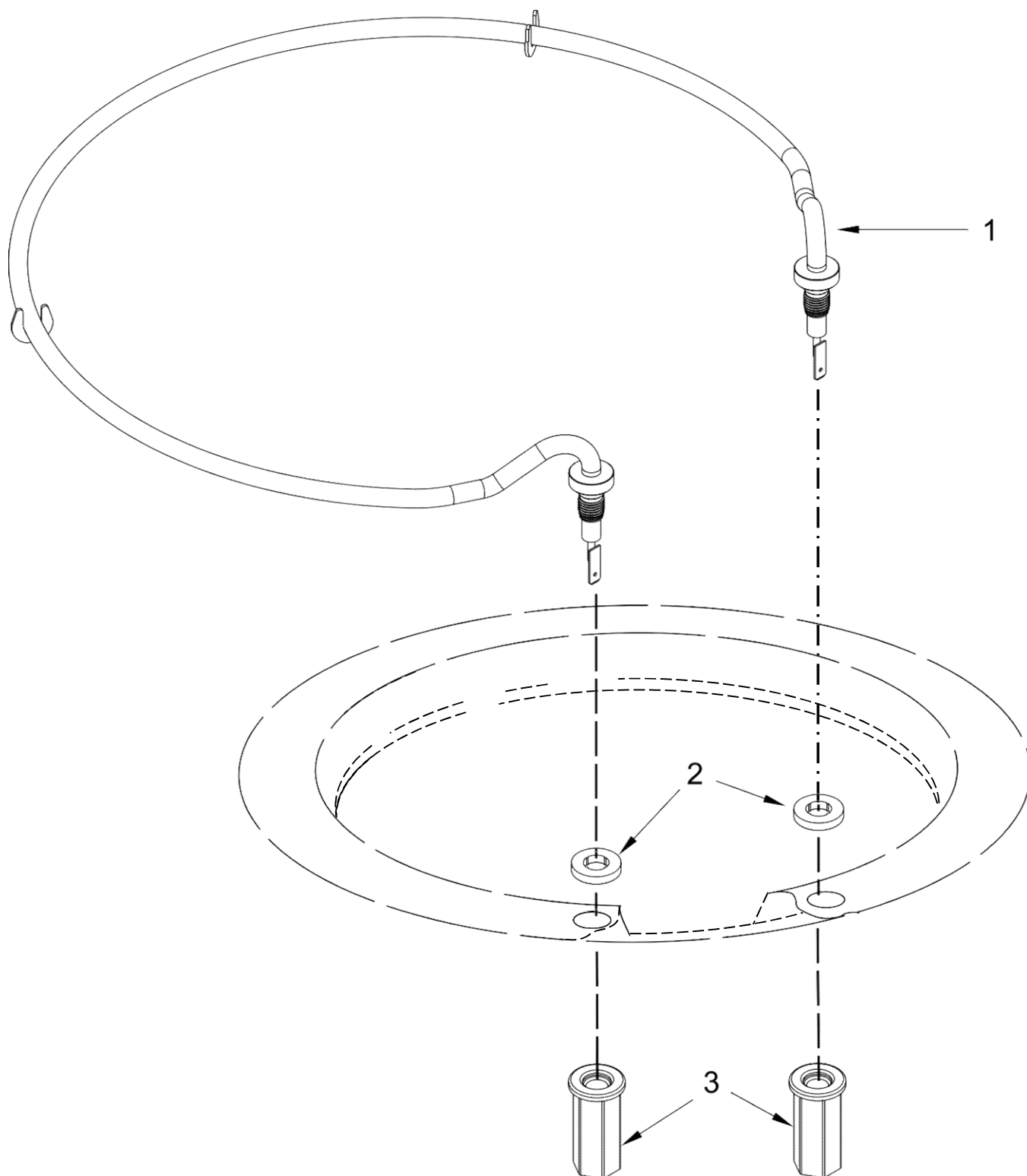
| <u>Illus.</u><br><u>No.</u> | <u>Part No.</u> | <u>Description</u>                   |
|-----------------------------|-----------------|--------------------------------------|
| 15                          | W10084573       | Pump, Drain                          |
| 16                          | W10476221       | Disc, Diverter                       |
| 17                          | 8269144         | Hose, Drain                          |
| 18                          | W10169167       | Clamp, Hose                          |
| 19                          | W10300776       | Damper, Sump<br>Assembly             |
| 20                          | W10445975       | Hose Assembly<br>(Includes 2 Clamps) |
| 21                          | W10629546       | Sprayarm, Lower                      |



| <u>Illus.</u><br><u>No.</u> | <u>Part No.</u> | <u>Description</u>                           |
|-----------------------------|-----------------|--|
| 1                           | W10753067       | Feed Tube Assembly<br>(Includes Items 2 & 3) |
| 2                           | W10327455       | Sprayarm, Third Level                        |
| 3                           | 3400918         | Retainer                                     |

| <u>Illus.</u><br><u>No.</u> | <u>Part No.</u> | <u>Description</u> |
|-----------------------------|-----------------|--------------------|
| 4                           | W10783354       | Manifold           |
| 5                           | W10498900       | Sprayarm, Upper    |
| 6                           | W10671899       | Manifold, Proscrub |

| <u>Illus.</u><br><u>No.</u> | <u>Part No.</u> | <u>Description</u>       |
|-----------------------------|-----------------|--------------------------|
| 7                           | W10355006       | Tube, Connecting         |
| 8                           | W10644280       | Manifold, Tall Item Zone |



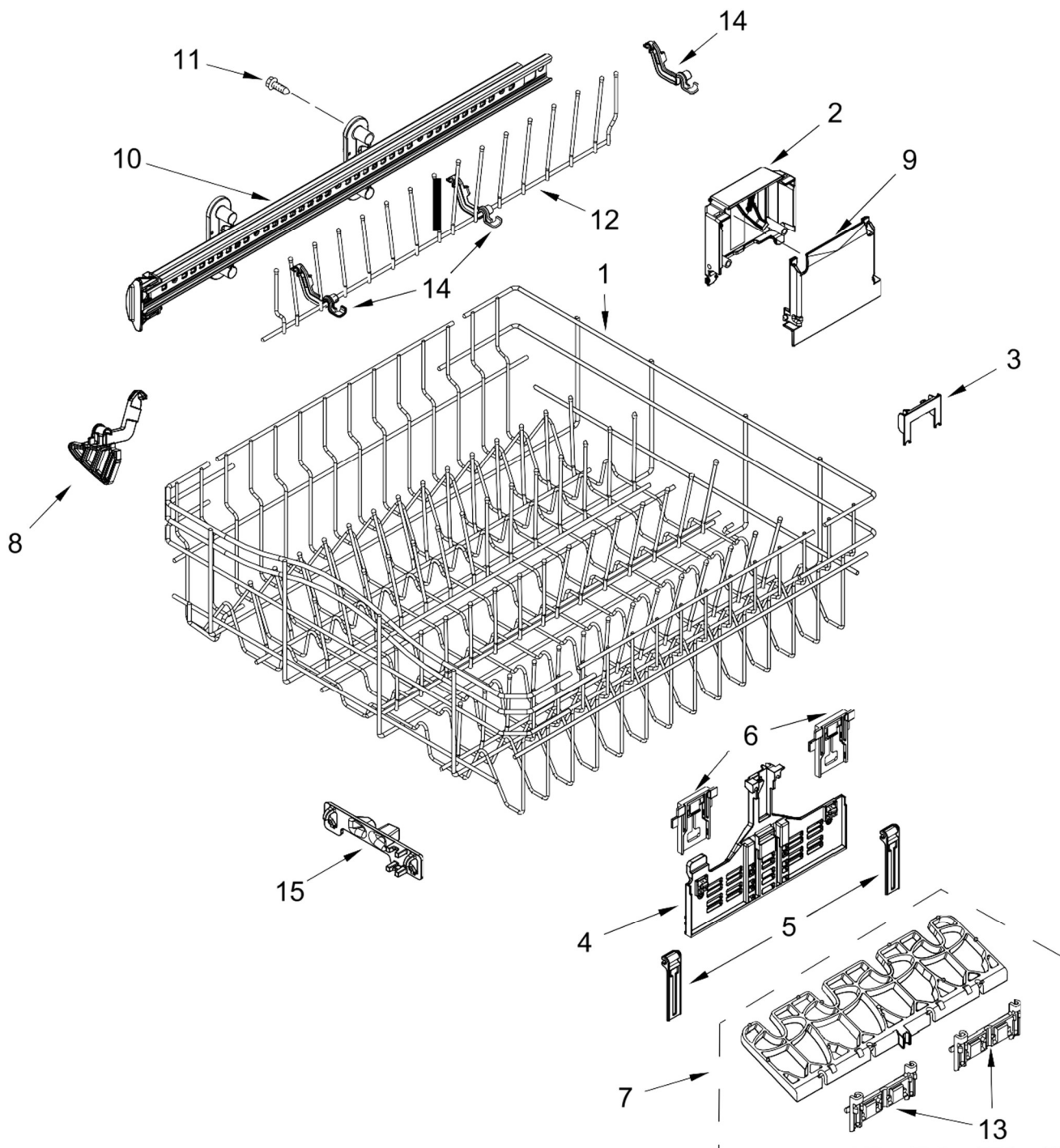


| <u>Illus.</u><br><u>No.</u> | <u>Part No.</u> | <u>Description</u>  |
|-----------------------------|-----------------|---|
| 1                           | W10696509       | Heater Element<br>Assembly<br>(Includes Heater<br>Washer & Nut) |

| <u>Illus.</u><br><u>No.</u> | <u>Part No.</u> | <u>Description</u> |
|-----------------------------|-----------------|--------------------|
| 2                           | W10446558       | Washer, Heater     |

| <u>Illus.</u><br><u>No.</u> | <u>Part No.</u> | <u>Description</u>  |
|-----------------------------|-----------------|---------------------|
| 3                           | W10687139       | Nut, Heater Element |

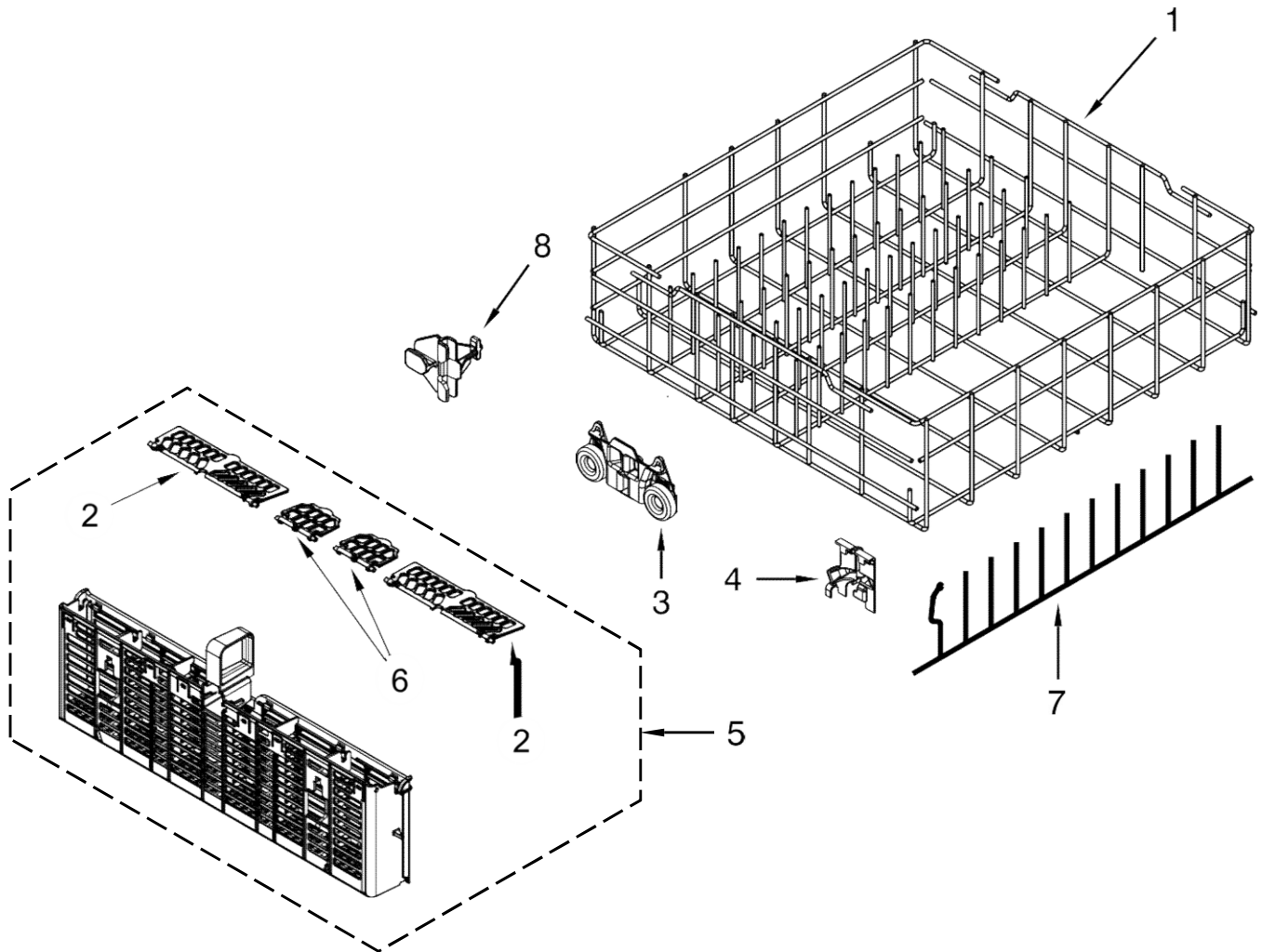
NOTE: If heater element  
is removed, it must be  
replaced.



| <u>Illus.</u><br><u>No.</u> | <u>Part No.</u> | <u>Description</u> |
|-----------------------------|-----------------|--------------------|
| 1                           | W10350380       | Dishrack, Upper    |
| 2                           |                 | Housing, Adjuster  |
|                             | W10656415       | Left Hand          |
|                             | W10656414       | Right Hand         |
| 3                           | W10250160       | Clip, Adjuster     |
| 4                           |                 | Adjuster Assembly  |
|                             | W10629521       | Left Hand          |
|                             | W10629520       | Right Hand         |

| <u>Illus.</u><br><u>No.</u> | <u>Part No.</u> | <u>Description</u>     |
|-----------------------------|-----------------|------------------------|
| 5                           | W10195839       | Strap, Tether Adjuster |
| 6                           | W10195840       | Positioner, Adjuster   |
| 7                           | W10082649       | Cupshelf Assembly      |
| 8                           | W10752617       | Clip, Dispenser Guard  |
| 9                           | W10462366       | Cover, Adjuster        |
| 10                          | W10460371       | Track, Dishrack        |
| 11                          | W10309090       | Screw                  |

| <u>Illus.</u><br><u>No.</u> | <u>Part No.</u> | <u>Description</u>  |
|-----------------------------|-----------------|---------------------|
| 12                          | 8562030         | Tine Row, Fold Down |
| 13                          | W10082848       | Clip, Cupshelf      |
| 14                          | W10082853       | Clip, Pivot         |
| 15                          | W10671900       | Positioner, Dual    |



| <u>Illus.</u><br><u>No.</u> | <u>Part No.</u> | <u>Description</u>               |
|-----------------------------|-----------------|----------------------------------|
| 1                           | W10720474       | Dishrack, Lower                  |
| 2                           | W10644277       | Lid, Silverware Basket<br>(Side) |
| 3                           | W10195416       | Wheel & Transport<br>Assembly    |
| 4                           | W10671902       | Retainer, Tine Row<br>(Combo)    |

| <u>Illus.</u><br><u>No.</u> | <u>Part No.</u> | <u>Description</u>                 |
|-----------------------------|-----------------|------------------------------------|
| 5                           | W10629540       | Silverware Basket<br>Assembly      |
| 6                           | W10644279       | Lid, Silverware Basket<br>(Center) |

| <u>Illus.</u><br><u>No.</u> | <u>Part No.</u> | <u>Description</u>      |
|-----------------------------|-----------------|-------------------------|
| 7                           | W10380209       | Tine, Fold Down         |
| 8                           | W10671904       | Clip, Silverware Basket |

# OPTIONAL PARTS (NOT INCLUDED)

## ACCESSORIES

| <u>Illus. No.</u> | <u>Part No.</u> | <u>Description</u>     |
|-------------------|-----------------|------------------------|
|                   |                 | SIDE PANEL KITS        |
|                   | 8171656         | White                  |
|                   | 8171657         | Black                  |
|                   | 8171658         | Biscuit/Bisque         |
|                   | 8171659         | Stainless Steel        |
|                   |                 | MOISTURE BARRIER KIT   |
|                   | 4396277         | Barrier Kit            |
|                   |                 | DRAIN HOSE             |
|                   | 3385556         | 12 Ft. Handle Assembly |
|                   | W10702080       | Black                  |
|                   | W10702081       | White                  |

## PAINT, TOUCH-UP (1/2OZ.)

| <u>Illus. No.</u> | <u>Part No.</u> | <u>Description</u> |
|-------------------|-----------------|--------------------|
|                   | 72017           | White              |
|                   | 72032           | Black              |
|                   | 4392899         | Biscuit/Bisque     |

## PAINT, PRESSURIZED SPRAY (12 OZ.)

| <u>Illus. No.</u> | <u>Part No.</u> | <u>Description</u> |
|-------------------|-----------------|--------------------|
|                   | 350930          | White              |
|                   | 285006          | Black              |
|                   | 4392901         | Biscuit/Bisque     |

## PAINT, BULK (1 QT.)

| <u>Illus. No.</u> | <u>Part No.</u> | <u>Description</u> |
|-------------------|-----------------|--------------------|
|                   | 799344          | White (Uncut)      |
|                   | 4392900         | Biscuit/Bisque     |

## POWER CORD KIT

| <u>Illus. No.</u> | <u>Part No.</u> | <u>Description</u>                              |
|-------------------|-----------------|---|
|                   | 4317824         | Power Cord Kit (Included Cord & Misc. Hardware) |

## ANTI-TIP KIT

| <u>Illus. No.</u> | <u>Part No.</u> | <u>Description</u> |
|-------------------|-----------------|--------------------|
|                   | 8171477         | Floor Mount Kit    |
|                   | 8212560         | Side Mount Kit     |

## DISHRACK REPAIR

| <u>Illus. No.</u> | <u>Part No.</u> | <u>Description</u>                                  |
|-------------------|-----------------|---|
|                   |                 | TINE TIP REPAIR KIT (Enough for Two Complete Racks) |
|                   | 4396838         | White   |
|                   | 4396840         | Grey  |
|                   | 4396854         | Silver Atlantis                                     |
|                   |                 | VINYL TOUCH-UP (4oz)                                |
|                   | 676453          | White   |
|                   | 676455          | Grey  |
|                   | 4396853         | Silver Atlantis                                     |