



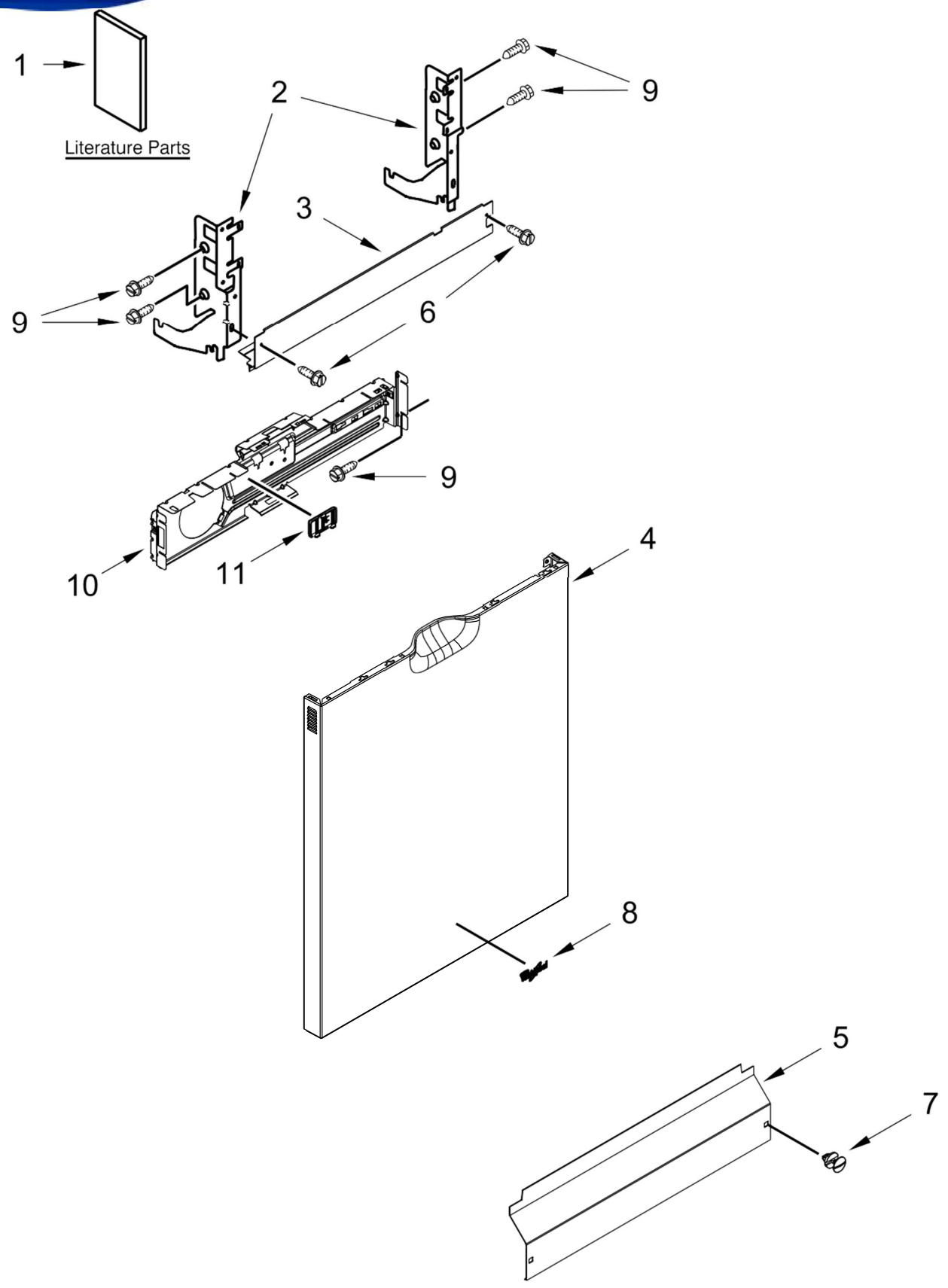
UNDERCOUNTER DISHWASHER

MODELS:

WDF760SADB0 (Black)
WDF760SADW0 (White)
WDF760SADT0 (Biscuit)
WDF760SADM0 (Stainless)



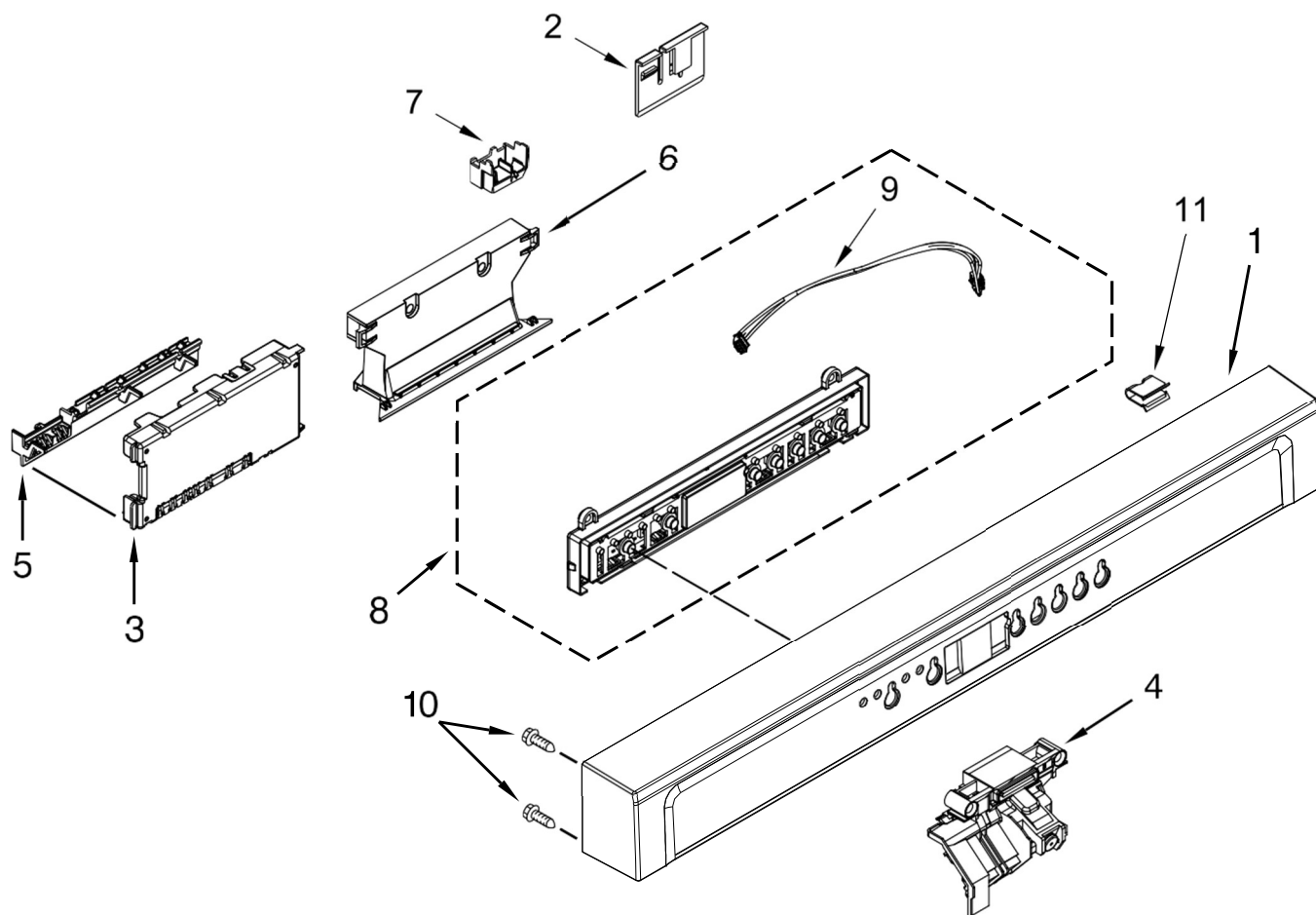
LAVAVAJILLAS WDF760SAD



<u>Illus.</u> <u>No.</u>	<u>Part No.</u>	<u>Description</u>
1		Literature Parts
	W10401504	Instructions, Installation
	W10656411	Energy Guide
	W10656407	Use & Care Guide
	W10610059	Tech Sheet, English
	W10610060	Tech Sheet, French
2		Arm, Hinge
	8534854	Left Hand
	8534853	Right Hand
3	W10321448	Barrier, Vapor

<u>Illus.</u> <u>No.</u>	<u>Part No.</u>	<u>Description</u>
4		Panel, Front (Includes Nameplate)
	W10698612	Black
	W10698613	White
	W10698614	Biscuit/Bisque
	W10698615	Stainless
5		Access Panel
	W10441006	Black
	W10441007	White
	W10441008	Biscuit/Bisque
6	304392	Screw

<u>Illus.</u> <u>No.</u>	<u>Part No.</u>	<u>Description</u>
7		Fastener
	W10503548	Black
	W10503549	White
	W10503550	Biscuit/Bisque
8		Nameplate
	W10393264	Grey
	W10387117	White
9	3400071	Screw
10	W10641745	Bracket, Control
11	W10463662	Spacer, Control Bracket Panel



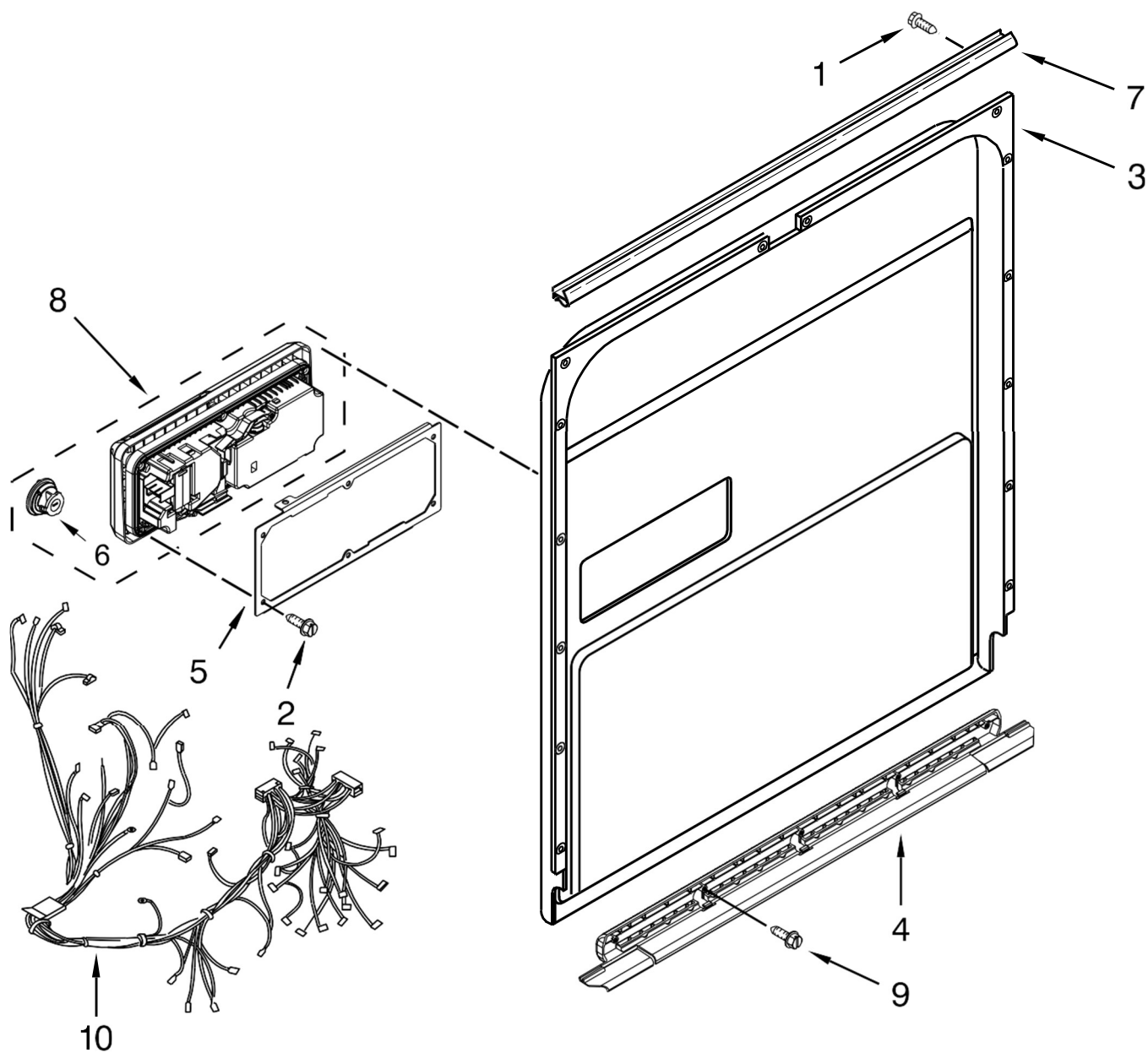


LAVAVAJILLAS WDF760SAD

<u>Illus. No.</u>	<u>Part No.</u>	<u>Description</u>
1		Console Assembly (Includes Insert)
	W10644293	Black
	W10644294	White
	W10644295	Biscuit/Bisque
	W10644296	Stainless
2	W10195237	Clip, Control

<u>Illus. No.</u>	<u>Part No.</u>	<u>Description</u>
3	W10732782	Control, Electronic
4	W10653840	Latch Assembly (Includes Switch)
5	W10194937	Brace, Connector
6		Handle Pocket
	W10629511	Black
7	W10401190	Box, Connector

<u>Illus. No.</u>	<u>Part No.</u>	<u>Description</u>
8	W10671940	Housing Assembly, User Interface
9	W10566903	Jumper, 4-Wire
10	W10348408	Screw
11	W10692204	Clip, Panel





LAVAVAJILLAS WDF760SAD

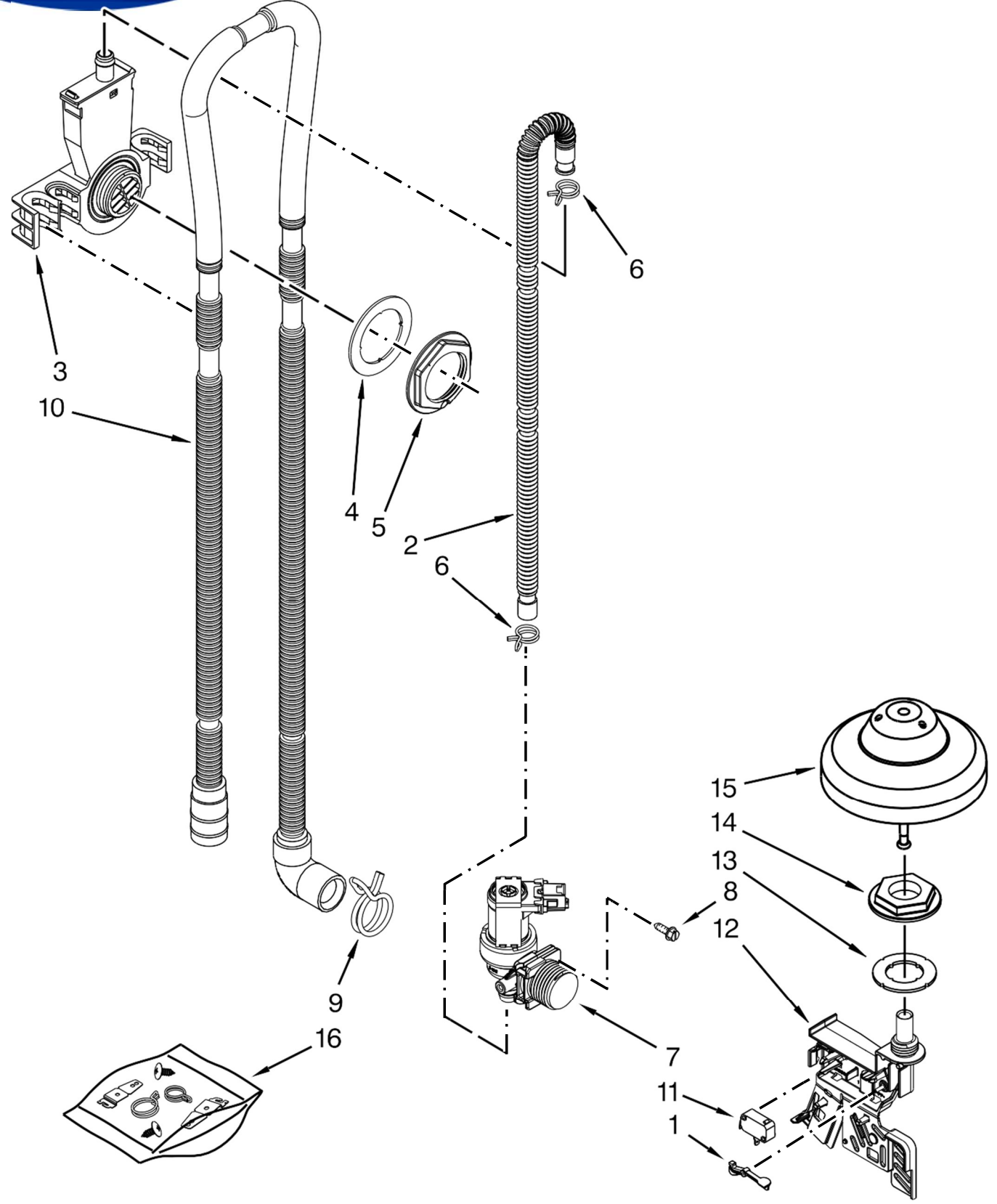
<u>Illus.</u> <u>No.</u>	<u>Part No.</u>	<u>Description</u>
1	W10348409	Screw
2	W10177098	Screw
3	W10380376	Inner Door Assembly
4	W10497235	Seal, Door Bottom

<u>Illus.</u> <u>No.</u>	<u>Part No.</u>	<u>Description</u>
5	W10462232	Bracket, Dispenser
6	W10524911	Cap, Rinse Aid
7	W10195007	Seal, Console/Door

<u>Illus.</u> <u>No.</u>	<u>Part No.</u>	<u>Description</u>
8	W10304408	Dispenser Assembly
9	8281217	Screw
10	W10612062	Wiring Harness



LAVAVAJILLAS WDF760SAD



BENITO JUÁREZ #1500 GPE ZITON, CD. GUADALUPE NUEVO LEÓN TEL: 8183377999 Y 49
HORARIOS: LUNES A VIERNES 8:30 A 6:00 PM Y SÁBADOS DE 8:30 A 2:00 PM

www.denek.com



LAVAVAJILLAS WDF760SAD

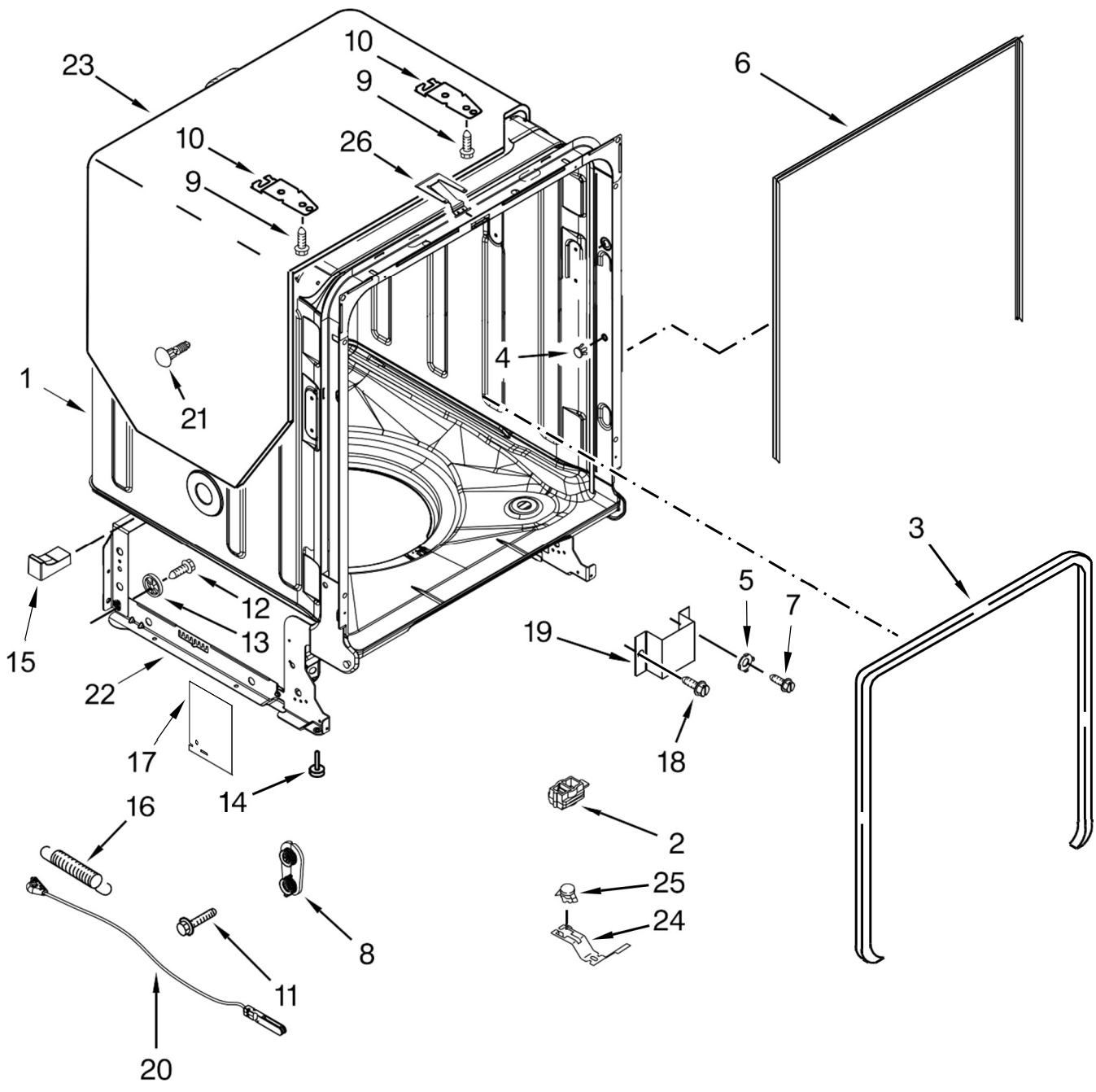
<u>Illus. No.</u>	<u>Part No.</u>	<u>Description</u>
1	W10195037	Lever, Overfill Switch
2	8531412	Hose
3	W10195536	Inlet, Water (Also Order Item 4)
4	8531323	Gasket
5	W10213825	Nut, Water Inlet (Also Order Item 4)
6	371505	Clamp, Hose

<u>Illus. No.</u>	<u>Part No.</u>	<u>Description</u>
7	W10327249	Fill Valve Assembly
8	304392	Screw
9	371505	Clamp, Hose
10	W10688890	Drain Loop with Check Valve Assembly
11	W10195039	Switch, Overfill Control
12	W10195035	Housing, Overfill (Also Order Item 13)

<u>Illus. No.</u>	<u>Part No.</u>	<u>Description</u>
13	8531743	Gasket, Flat
14	W10195038	Nut, Standpipe
15	W10195036	Float & Retainer Assembly
16	W10292152	Miscellaneous Parts Bag (Contains 2 Screws, 2 Clamps, & 2 Brackets)



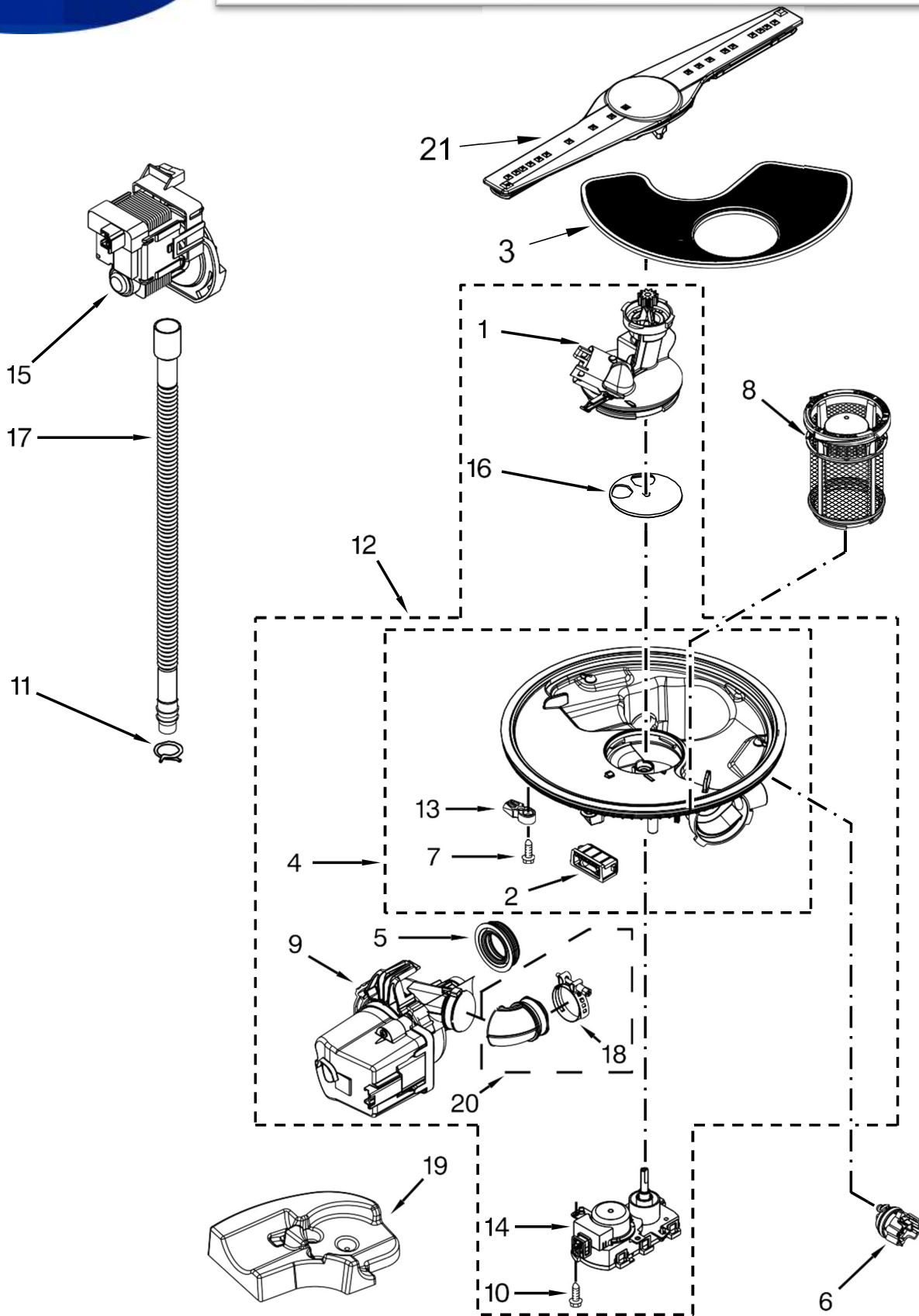
LAVAVAJILLAS WDF760SAD



BENITO JUÁREZ #1500 GPE ZITON, CD. GUADALUPE NUEVO LEÓN TEL: 8183377999 Y 49
HORARIOS: LUNES A VIERNES 8:30 A 6:00 PM Y SÁBADOS DE 8:30 A 2:00 PM

www.denek.com

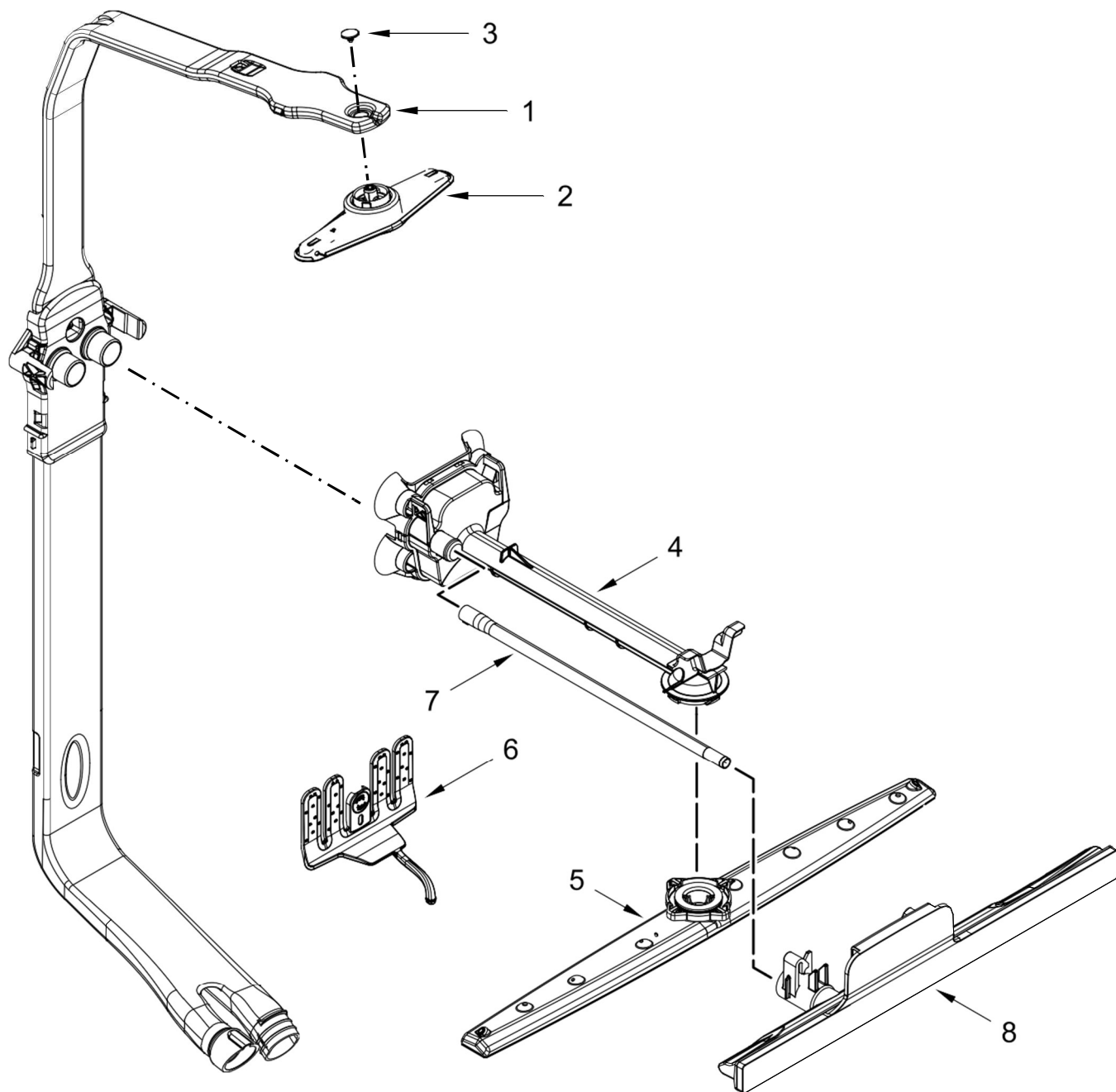
<u>Illus.</u> <u>No.</u>	<u>Part No.</u>	<u>Description</u>	<u>Illus.</u> <u>No.</u>	<u>Part No.</u>	<u>Description</u>	<u>Illus.</u> <u>No.</u>	<u>Part No.</u>	<u>Description</u>
1	W10511208	Tub Assembly (Includes Heater Assembly)	10	8269145	Bracket, Undercounter	18	3400892	Screw
2	W10292870	Shield, Thermostat	11	3400074	Screw	19	8268991	Cover, Terminal Box
3	W10300924	Gasket, Tub	12	W10348411	Screw	20	W10158291	Cable, Door
4	W10082838	Plug, Tub	13	W10190778	Wheel Leg	21	304666	Retainer
5	3378128	Washer, Pronged Cup	14	W10619352	Leveler, Leg	22	W10190776	Support Assembly, Rear
6	W10179427	Seal, Cabinet	15		Spacer, Tub Brace	23	8573240	Shield, Tub Sound
7	3400014	Screw, Grounding		W10195630	Left Hand	24	W10300703	Bracket, Thermostat
8	W10084086	Door Balance Assembly		W10195631	Right Hand	25	W10195091	Thermostat
9	3367670	Screw	16	8270020	Spring, Door Balance	26	W10544004	Strike, Latch
			17	W10609495	Cover, Fill Valve			



<u>Illus.</u> <u>No.</u>	<u>Part No.</u>	<u>Description</u>
1	W10629542	Cover, Outlet
2	W10195086	Motor, Isolator
3	W10463906	Screen
4	W10455268	Sump With Seal (Also Order Items 5 & 20)
5	W10538166	Grommet
6	W10705575	Indicator, Optical Wash
7	W10348407	Screw

<u>Illus.</u> <u>No.</u>	<u>Part No.</u>	<u>Description</u>
8	W10693534	Filter Cup Assembly
9	W10529163	Motor (Also Order Items 5 & 20)
10	9741232	Screw
11	8269146	Clamp, Hose
12	W10671942	Sump & Motor Assembly
13	W10372113	Tab, Sump
14	W10476222	Motor, Diverter

<u>Illus.</u> <u>No.</u>	<u>Part No.</u>	<u>Description</u>
15	W10084573	Pump, Drain
16	W10476221	Disc, Diverter
17	8269144	Hose, Drain
18	W10169167	Clamp, Hose
19	W10300776	Damper, Sump Assembly
20	W10445975	Hose Assembly (Includes 2 Clamps)
21	W10629546	Sprayarm, Lower





LAVAVAJILLAS WDF760SAD

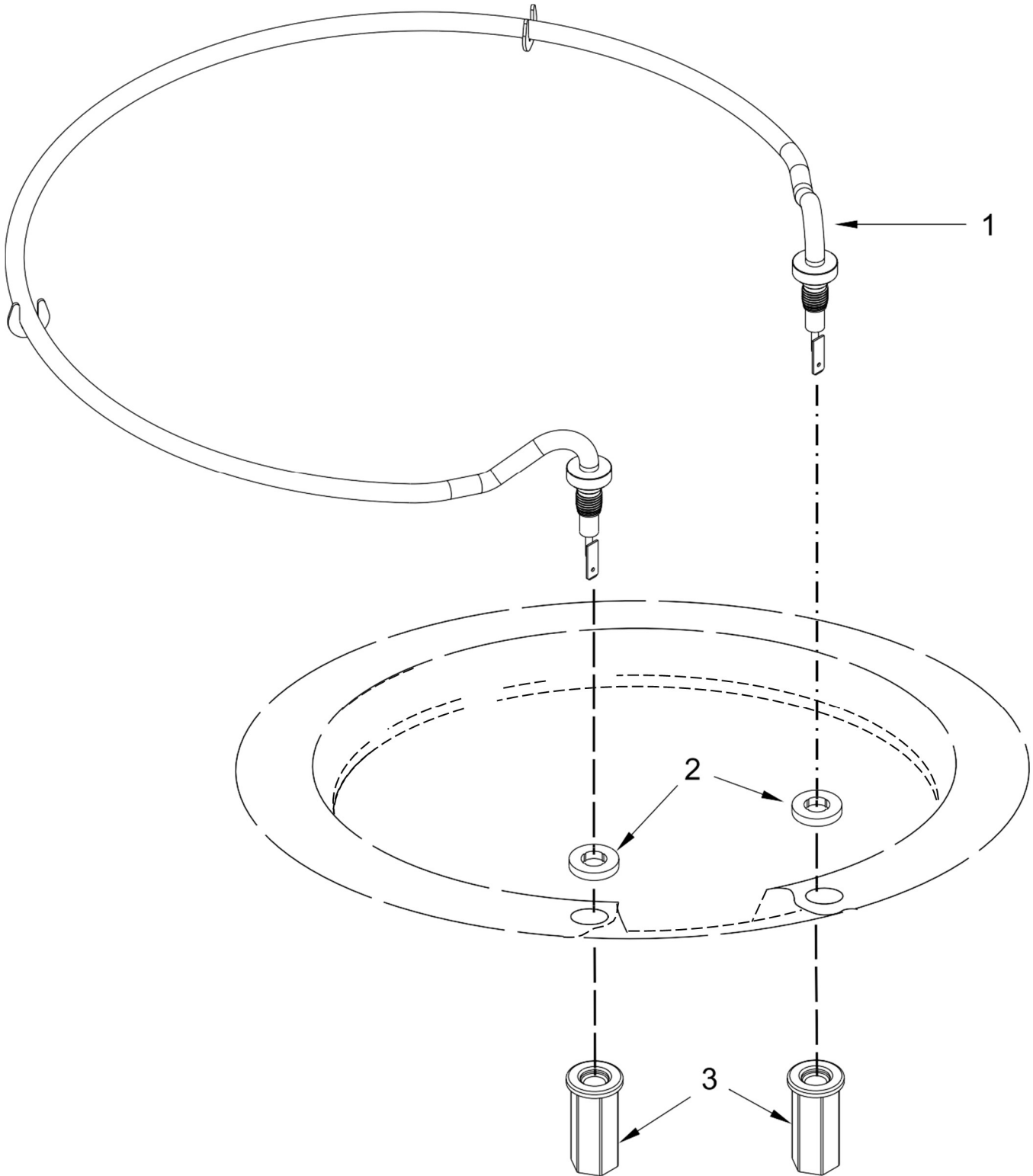
<u>Illus. No.</u>	<u>Part No.</u>	<u>Description</u>
1	W10579135	Feed Tube Assembly (Includes Items 2 & 3)
2	W10327455	Sprayarm, Third Level
3	3400918	Retainer

<u>Illus. No.</u>	<u>Part No.</u>	<u>Description</u>
4	W10359185	Manifold
5	W10498900	Sprayarm, Upper
6	W10671899	Manifold, Proscrub

<u>Illus. No.</u>	<u>Part No.</u>	<u>Description</u>
7	W10355006	Tube, Connecting
8	W10644280	Manifold, Tall Item Zone



LAVAVAJILLAS WDF760SAD





LAVAVAJILLAS WDF760SAD

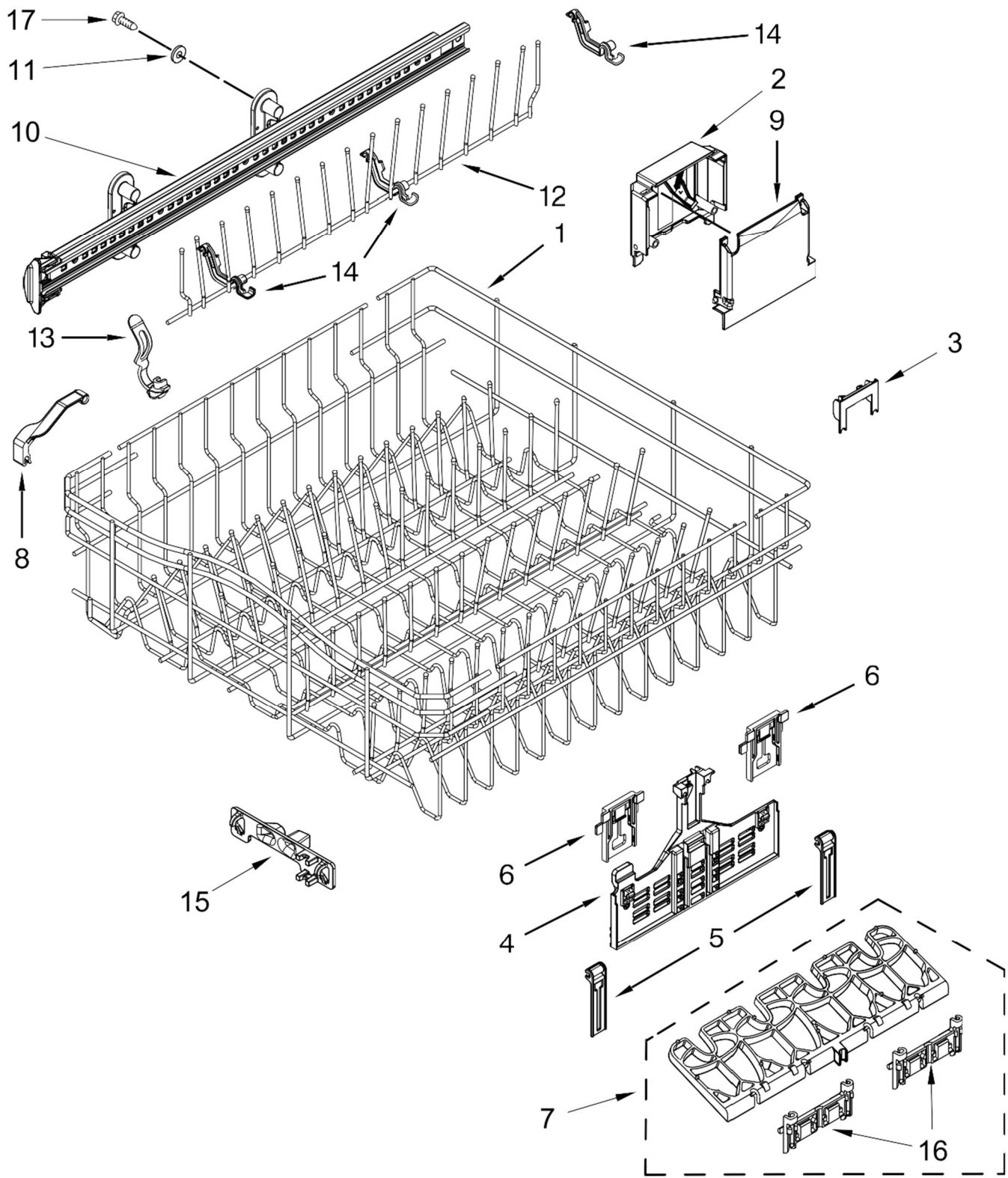
<u>Illus. No.</u>	<u>Part No.</u>	<u>Description</u>
1	W10696509	Heater Element Assembly
2	W10446558	Washer, Heater

<u>Illus. No.</u>	<u>Part No.</u>	<u>Description</u>
3	W10687139	Nut, Heater Element

NOTE: If heater element is removed, it must be replaced.



LAVAVAJILLAS WDF760SAD



BENITO JUÁREZ #1500 GPE ZITON, CD. GUADALUPE NUEVO LEÓN TEL: 8183377999 Y 49
HORARIOS: LUNES A VIERNES 8:30 A 6:00 PM Y SÁBADOS DE 8:30 A 2:00 PM
www.denek.com



LAVAVAJILLAS WDF760SAD

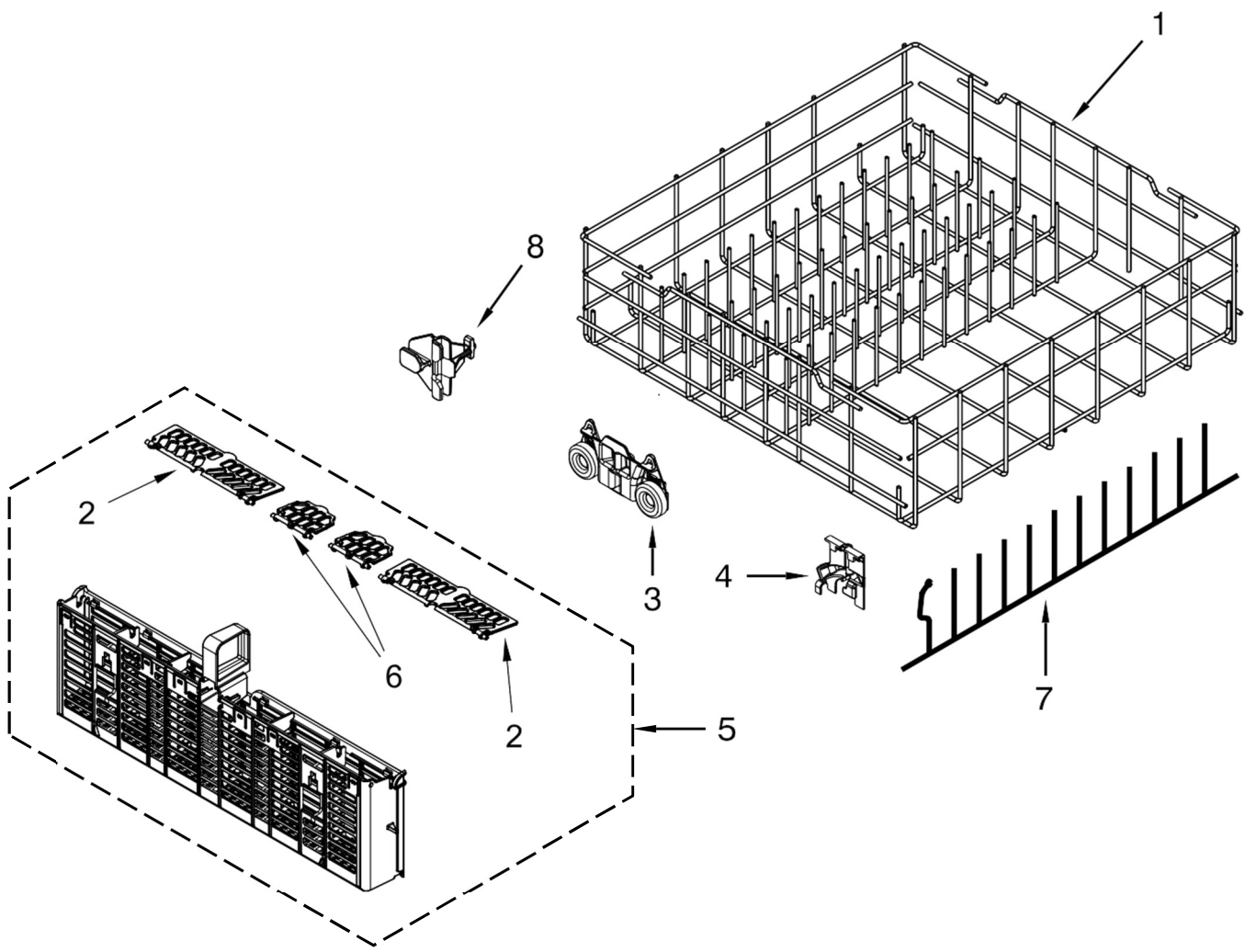
<u>Illus. No.</u>	<u>Part No.</u>	<u>Description</u>
1	W10350380	Dishrack, Upper
2		Housing, Adjuster
	W10656415	Left Hand
	W10656414	Right Hand
3	W10250160	Clip, Adjuster
4		Adjuster Assembly
	W10629521	Left Hand
	W10629520	Right Hand
5	W10195839	Strap, Tether Adjuster

<u>Illus. No.</u>	<u>Part No.</u>	<u>Description</u>
6	W10195840	Positioner, Adjuster
7	W10082649	Cupshelf Assembly
8	W10267076	Clip, Dispenser Guard
9	W10462366	Cover, Adjuster
10	W10460371	Track, Dishrack
11	9743002	Gasket, Mounting Bracket
12	8562030	Tine Row, Fold Down
13	W10077844	Clip, No Flip

<u>Illus. No.</u>	<u>Part No.</u>	<u>Description</u>
14	W10082853	Clip, Pivot
15	W10671900	Positioner, Dual
16	W10082848	Clip, Cupshelf
17	W10309090	Screw



LAVAVAJILLAS WDF760SAD





LAVAVAJILLAS WDF760SAD

<u>Illus.</u> <u>No.</u>	<u>Part No.</u>	<u>Description</u>
1	W10720474	Dishrack, Lower
2	W10644277	Lid, Silverware Basket (Side)
3	W10195416	Wheel & Transport Assembly
4	W10671902	Retainer, Tine Row (Combo)

<u>Illus.</u> <u>No.</u>	<u>Part No.</u>	<u>Description</u>
5	W10629540	Silverware Basket Assembly
6	W10644279	Lid, Silverware Basket (Center)

<u>Illus.</u> <u>No.</u>	<u>Part No.</u>	<u>Description</u>
7	W10380209	Tine, Fold Down
8	W10671904	Clip, Silverware Basket

OPTIONAL PARTS (NOT INCLUDED)

ACCESSORIES

<u>Illus. No.</u>	<u>Part No.</u>	<u>Description</u>
		SIDE PANEL KITS
	8171656	White
	8171657	Black
	8171658	Biscuit/Bisque
	8171659	Stainless Steel
		MOISTURE BARRIER KIT
	4396277	Barrier Kit
		DRAIN HOSE
	3385556	12 Ft.

PAINT, TOUCH-UP (1/2OZ.)

<u>Illus. No.</u>	<u>Part No.</u>	<u>Description</u>
	72017	White
	72032	Black
	4392899	Biscuit/Bisque

PAINT, PRESSURIZED SPRAY (12 OZ.)

<u>Illus. No.</u>	<u>Part No.</u>	<u>Description</u>
	350930	White
	285006	Black
	4392901	Biscuit/Bisque

PAINT, BULK (1 QT.)

<u>Illus. No.</u>	<u>Part No.</u>	<u>Description</u>
	799344	White
	4392900	Biscuit/Bisque

POWER CORD KIT

<u>Illus. No.</u>	<u>Part No.</u>	<u>Description</u>
	4317824	Power Cord Kit (Included Cord & Misc. Hardware)

ANTI-TIP KIT

<u>Illus. No.</u>	<u>Part No.</u>	<u>Description</u>
	8171477	Floor Mount Kit
	8212560	Side Mount Kit

DISHRACK REPAIR

<u>Illus. No.</u>	<u>Part No.</u>	<u>Description</u>
		TINE TIP REPAIR KIT (Enough for Two Complete Racks)
	4396838	White
	4396840	Grey
	4396854	Silver Atlantis
		VINYL TOUCH-UP (4oz)
	676453	White
	676455	Grey
	4396853	Silver Atlantis