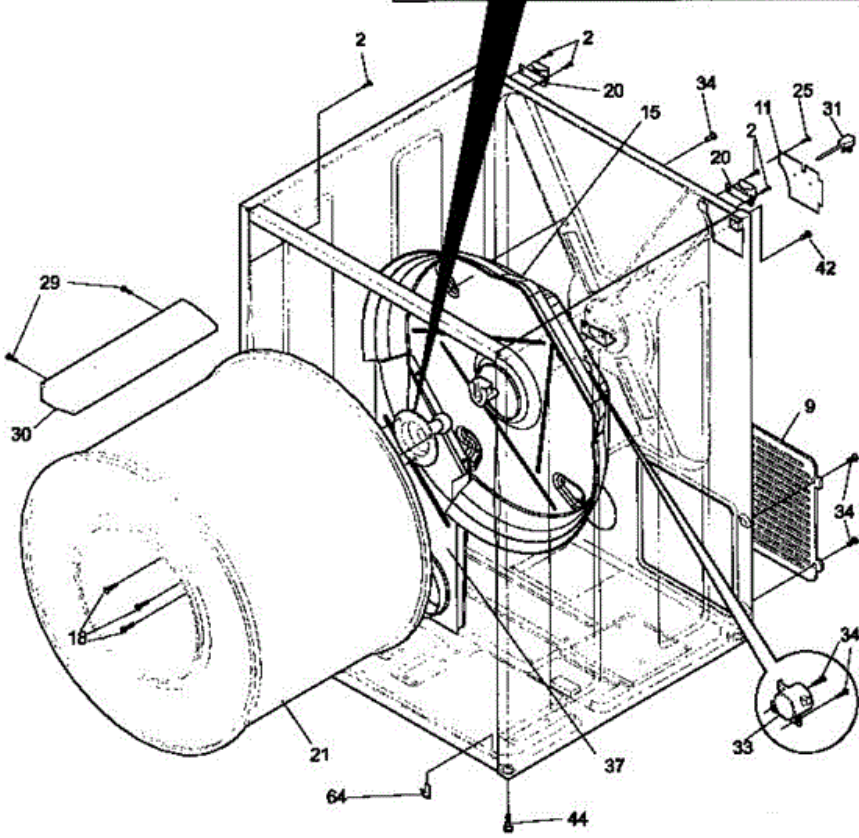
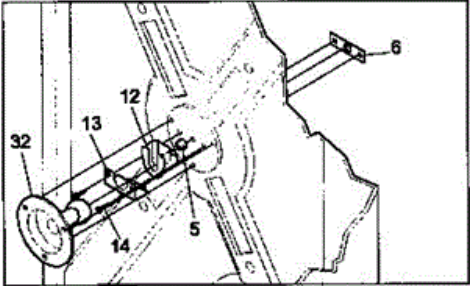


WDG546RGS1 GABINETE

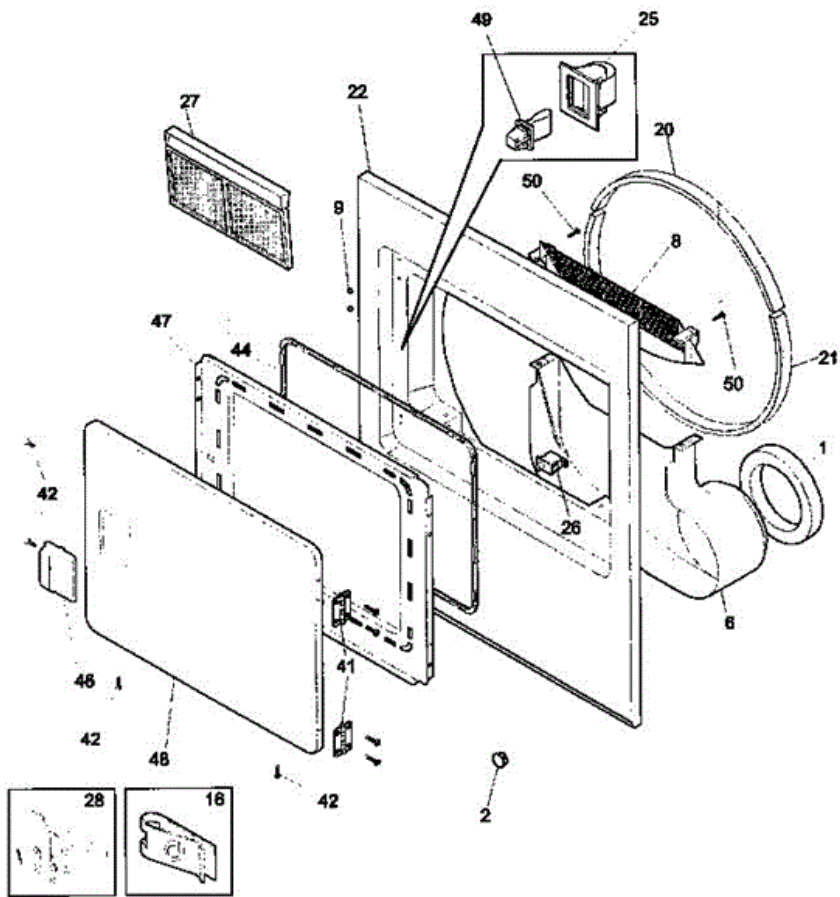




WDG546RGS1 GABINETE

*19720	5303281153	REAR BEARING KIT, INCL. 5, 6, 12, 13, 14, 18, 32
*19721	5303307893	LUBRICANT, HIGH TEMP
2	131168200	SCREW, 8-18 X 0.31
5	5303281019	BALL
6	5303281020	CLIP-BALL
9	131793201	PANEL-ACCESS
11	131363200	COVER-TERM BLOCK
12	5303281008	BEARING-SHAFT
13	131724300	BRACKET-BEARING
14	131205400	SCREW-BRACKET, 10-16B X 1.375, CR/SQ DRIVE
15	131600500	HOUSING, GAS HEATER ASSY, W/SEAL
18	131477000	SCREW-SHAFT & BAFFLE, COMB PH AB SPCL
20	131469100	BRACKET-HINGE
21	131427804	ASMY-FS DRUM-GAS-GALV
25	5303015671	SCREW,8-18 X .375
29	131382300	SCREW-VANE, QUADREX HEAD, 10-14 X 1.00
30	5303201200	VANE
31	5303281129	CORD-ELECTRIC POWER
32	131777700	ASMY-SHAFT (BALLHITCH)
33	5308015399	THERMOSTAT – SAFETY
34	131243700	SCREW,PAN HEAD ,8-18AB X 0.375 ,39 ,CR/SQ
37	131648601	DUCT-HEAT
42	131301100	SCREW-GRND CAB,HEX WSHR HD,10-32T
44	131527400	FOOT-CABINET
64	131353500	CLIP, CABINET BOTTOM

WDG546RGS1 PUERTA

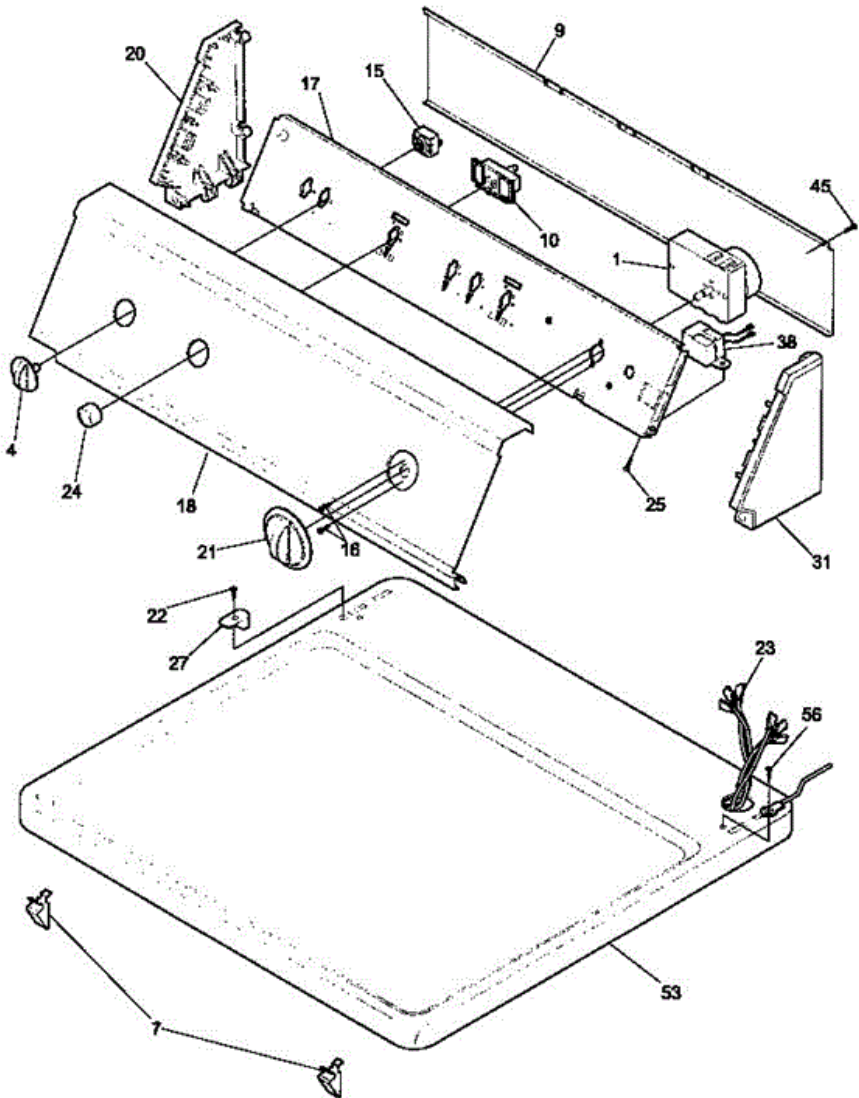




WDG546RGS1 PUERTA

*19722	131474700	INSULATION
*19723	5308027429	ADHESIVE, HIGH TEMP
1	131581400	SEAL-AIR DUCT
2	131432300	PLUG-WHITE
6	131621900	DUCT-AIR
8	131622201	COVER-LINT TRAP
9	131633200	PLUG,WHITE
16	131063700	CLIP-WIRING
20	5303937139	GLIDE-DRUM
21	5303283286	SEAL-BASKET LOWER
22	131845922	PANEL-FRONT WHITE
25	131658800	CATCH-DOOR
26	131843100	SWITCH-DOOR W/O LITE
27	131450300	LINT TRAP
28	5303281074	CLIP-GUIDE,(2)
41	131627500	HINGE-DOOR
42	131209600	SCREW, FLAT HEAD, 8-18AB X 0.44, CR/SQ DRIVE
44	131129900	GASKET-DOOR
46	131644700	HANDLE-DOOR, WHITE
47	131844104	PANEL-INNER DOOR WHITE
48	131789303	DOOR-OUTER, WHITE
49	5303211430	STRIKE DOOR
50	131303300	SCREW-LOCK, PH AB, 10-16 X .50

WDG546RGS1 TABLERO

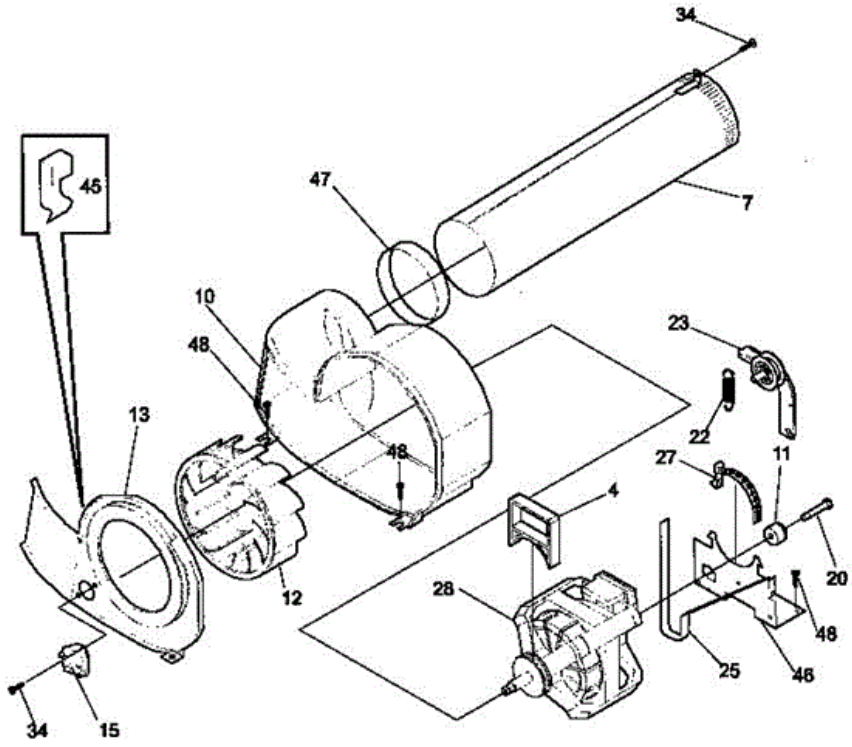




WDG546RGS1 TABLERO

*19724	131827700	BEZEL-W/WEST-WHT/BLK PRINT
1	131583801	TIMER-DRYER P GAS
4	131118603	KNOB-ROTARY,WHITE/GRAY
7	3205821	CLIP-TOP PANEL, TO FRONT PANEL
9	3205898	BACKSHEET-CONSOLE
10	131469000	SWITCH-PUSH/START
15	131048100	SWITCH, TEMPERATURE
16	5303283289	SCREW,CR PAN HEAD `8-32 X 0.250
17	131728900	BRACKET-CONTROL
18	131509400	PANEL-CONTROL, WHITE/GRAY
20	5303291343	END CAP, WHITE, LH
21	131118903	KNOB-TIMER
22	131266310	SCREW-END CAP, POH AB WHT HD, 8-18 X 1.250
23	131847000	HARNESS PRJ GAS
24	131111501	BUTTON-START SWITCH,WHITE
25	5303015671	SCREW,8-18 X .375
27	131197000	CLIP-CONTROL PANEL
31	5303291351	END CAP, WHITE, RH
38	5303210285	BUZZER
45	131205100	SCREW,8 PAN HEAD ,10-10B X 0.50 ,CR/SQ DRIVE
53	131601318	PANEL-TOP WHITE
56	131243800	SCREW-BRKT TOP,PAN HD LOCKING ,8-32CA

WDG546RGS1 MOTOR





WDG546RGS1 MOTOR

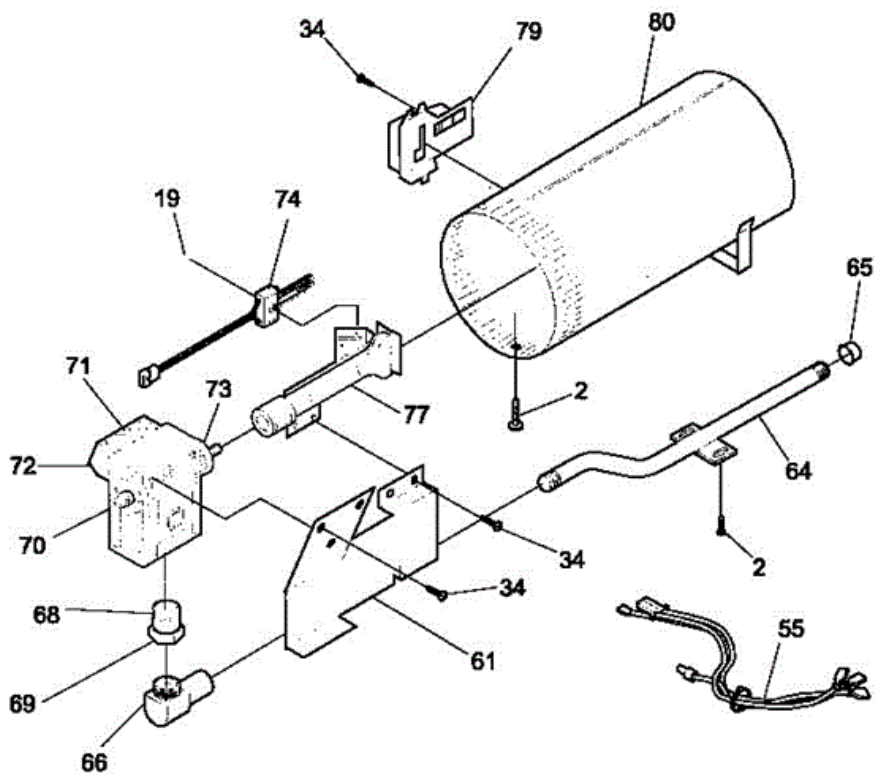
*19725	131456800	TUBE ASSY, EXHAUST
4	131435200	LOCK-FAN HOUSING
7	131451600	TUBE-EXHAUST
10	131535200	HOUSING-FAN
11	131749800	SPACER-IDLER
12	131479300	WHEEL-BLOWER
13	131367600	COVER-FAN
15	131298400	THERMOSTAT-CONTROL
20	131017900	SCREW-SPACER, HEX HEAD, 1/4-20T X 1.25
22	131601000	SPRING-IDLER
23	131826900	ASMY-IDLER BRACKET & PULLEY
25	5303283471	BELT-DRYER
27	131419800	CLAMP-MOTOR
28	131560100	MOTOR-MAIN, W/PULLEY
34	131243700	SCREW,PAN HEAD ,8-18AB X 0.375 ,39 ,CR/SQ
45	131618200	CLIP-BLOWER HSG
46	131601100	BRACKET-MOTOR
47	131633300	SEAL-EXHAUST TUBE
48	131168200	SCREW, 8-18 X 0.31

Distribuidor Autorizado

SurteRápido.com

Venta de Refacciones
Electrodomesticas

WDG546RGS1 QUEMADOR





WDG546RGS1 QUEMADOR

*19726	131776600	KIT-LP
2	131168200	SCREW, 8-18 X 0.31
19	131715500	CLIP-IGNITER
34	131243700	SCREW,PAN HEAD ,8-18AB X 0.375 ,39 ,CR/SQ
55	5303281137	HARNESS-GAS VALVE
61	131418701	BRACKET-BURNER
64	5303286873	PIPE
65	8015112	CAP-PIPE
66	131512000	ELBOW-COUPLER
68	5362791200	UNION-MALE CONNECTOR, BRASS
69	8015194	NUT-UNION, HEX
70	5303207409	VALVE GAS
71	5303307291	COIL-SECONDARY
72	5303307292	COIL-BOOSTER
73	5303207410	ORIFICE, NATURAL GAS
74	5303281151	IGNITOR ASSY
77	131762900	ASSY-BURNER
79	5303281135	SENSOR
80	3201240	TUBE-BURNER ASSY