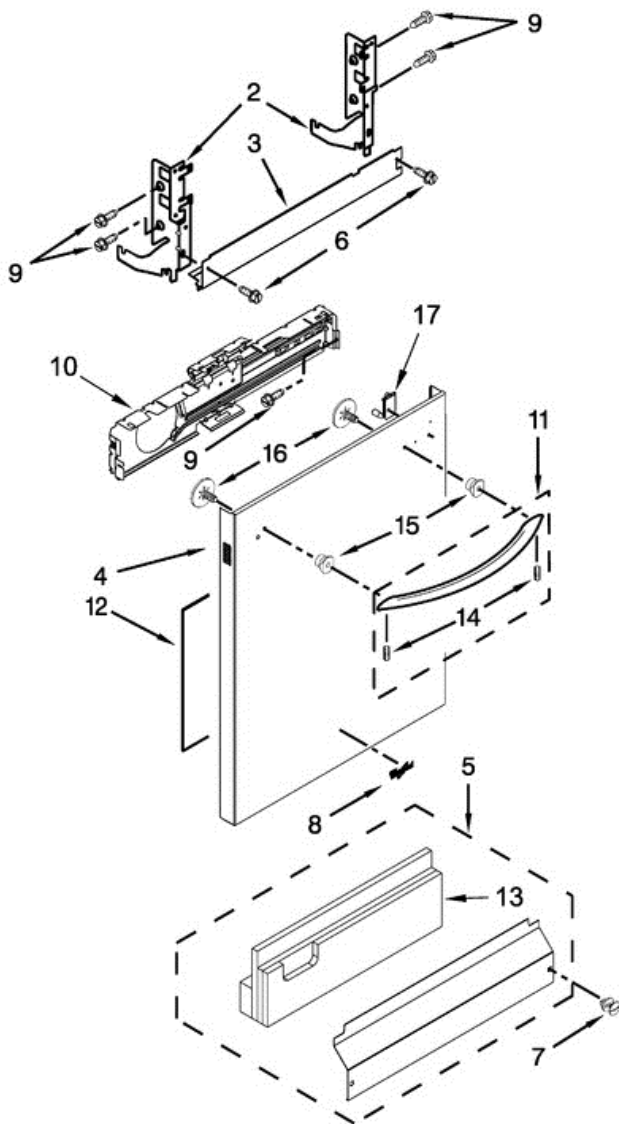


WDT920SADM1 DOOR AND PANEL

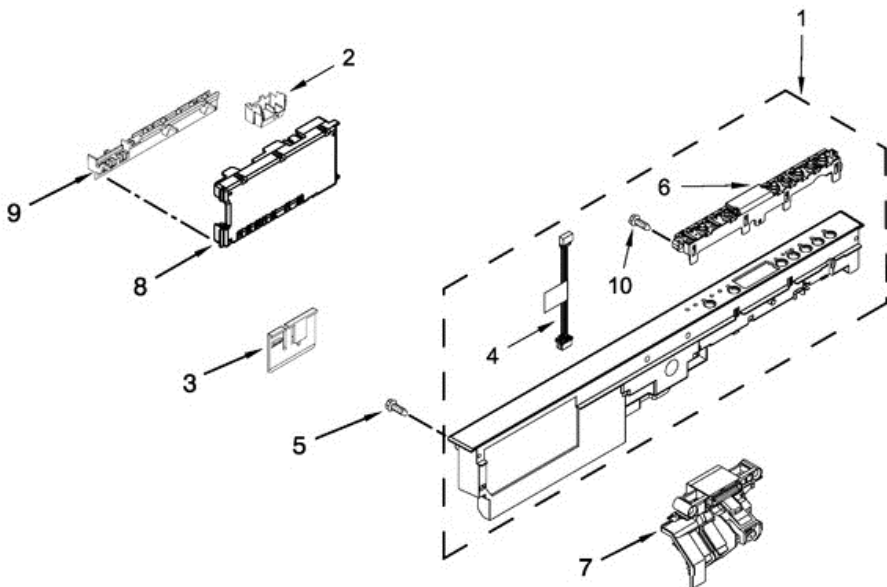




WDT920SADM1 DOOR AND PANEL

1	W10741197	INSTALLATION INSTRUCTIONS
2	8534854	ARM, HINGE (LEFT HAND)
3	W10321448	BARRIER, VAPOR
4	W10644287	PANEL FRONT (INCLUDES 8, 15, 16 & 17) (BLACK)
5	W10526114	ACCESS PANEL (BLACK)
6	304392	SCREW
7	W10503548	FASTENER (BLACK)
8	W10393264	NAMEPLATE (GREY)
9	3400071	SCREW
10	W10641745	BRACKET, CONTROL
11	W10701984	HANDLE ASSEMBLY (STAINLESS)
12	W10073520	INSULATION, DOOR
13	W10518815	INSULATION, FOUR LAYER
14	W10693137	SCREW, SET
15	W10195726	STUD, MOUNTING
16	W10316572	SCREW
17	W10500331	LIGHT, PIPE
1A	W10656411	ENERGY GUIDE
1B	W10656407	USE & CARE GUIDE
1C	W10610059	TECH SHEET, ENGLISH
1D	W10610060	TECH SHEET, FRENCH
2A	8534853	ARM, HINGE (RIGHT HAND)
4A	W10644288	PANEL FRONT (INCLUDES 8, 15, 16 & 17) (WHITE)
4B	W10644289	PANEL FRONT (INCL. 8, 15, 16 & 17) (STAINLESS)
5A	W10526115	ACCESS PANEL (WHITE)
7A	W10503549	FASTENER (WHITE)
8A	W10387117	NAMEPLATE (WHITE)

WDT920SADM1 CONTROL PANEL

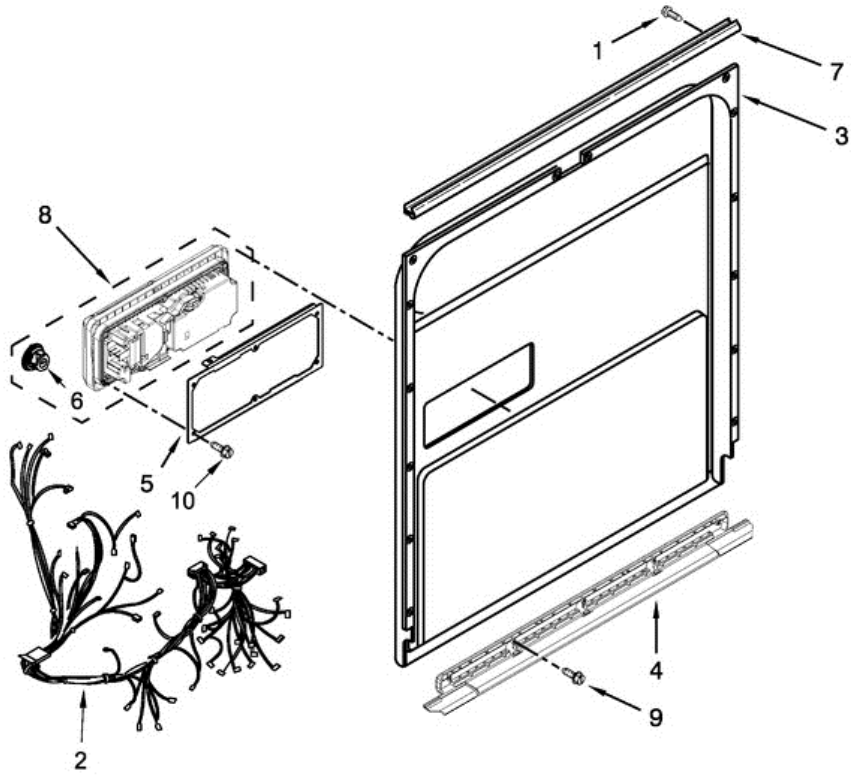




WDT920SADM1 CONTROL PANEL

1	W10644261	CONSOLE ASSEMBLY (BLACK)
1A	W10644262	CONSOLE ASSEMBLY (WHITE)
1B	W10644263	CONSOLE ASSEMBLY (STAINLESS)
2	W10756253	BOX, CONNECTOR
3	W10195237	CLIP, CONTROL
4	W10566903	JUMPER, 4-WIRE
5	W10348408	SCREW
6	W10629151	HOUSING ASSEMBLY, USER INTERFACE
7	W10653840	LATCH ASSEMBLY (INCLUDES SWITCH)
8	W10851343	CONTROL, ELECTRONIC
9	W10194937	BRACE, CONNECTOR
10	W10177098	SCREW
11	W10751781	JUMPER, LATCH

WDT920SADM1 INNER DOOR





WDT920SADM1 INNER DOOR

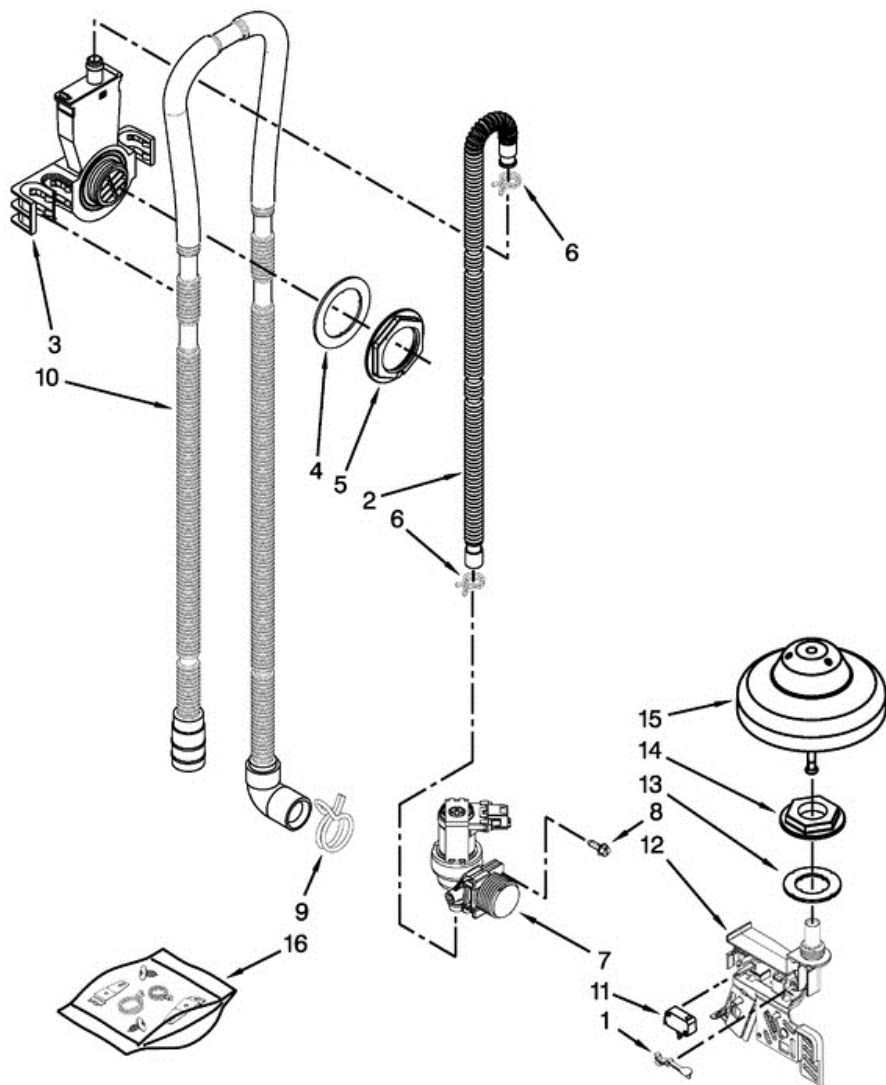
1	W10348409	SCREW
2	W10744908	WIRING HARNESS
3	W10380376	INNER DOOR ASSEMBLY
4	W10497235	SEAL, DOOR BOTTOM
5	W10462232	BRACKET, DISPENSER
6	W10524920	CAP, RINSE AID
7	W10195007	SEAL, CONSOLE/DOOR
8	W10304408	DISPENSER ASSEMBLY
9	8281217	SCREW
10	W10177098	SCREW

Distribuidor Autorizado

SurteRápido.com

Venta de Refacciones
Electrodomesticas

WDT920SADM1 FILL, DRAIN AND OVERFILL

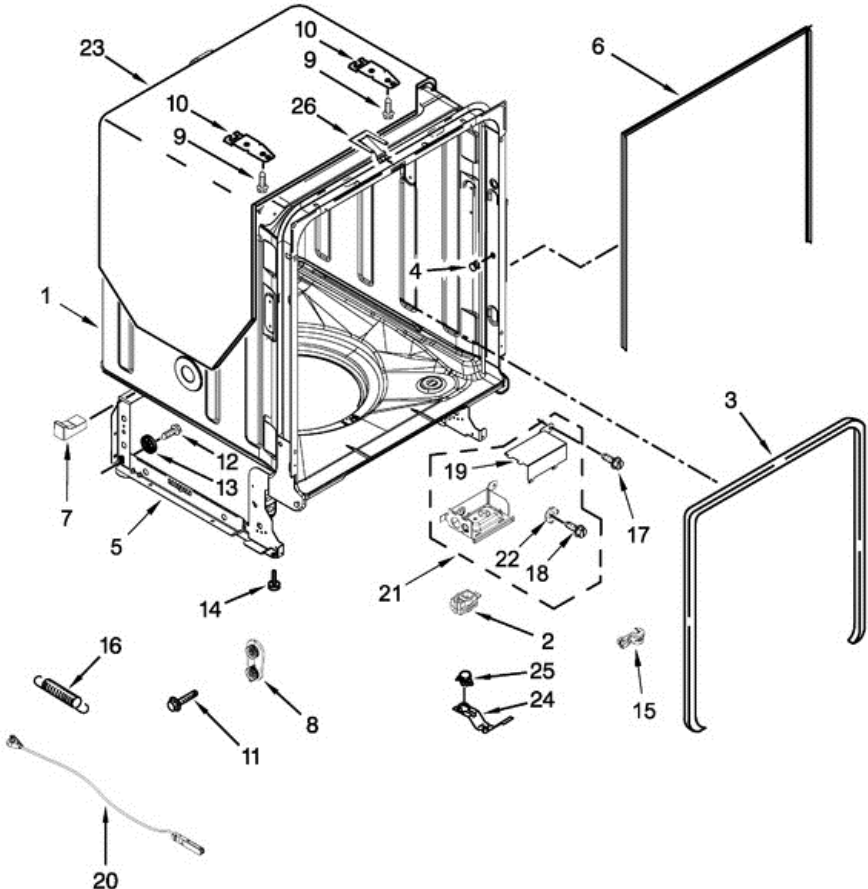




WDT920SADM1 FILL, DRAIN AND OVERFILL

1	W10195037	LEVER, OVERFILL SWITCH
2	8531412	HOSE
3	W10195536	INLET, WATER (ALSO ORDER ITEM 4)
4	8531323	GASKET
5	W10213825	NUT, WATER INLET (ALSO ORDER ITEM 4)
6	371505	CLAMP, HOSE
7	W10327249	FILL VALVE ASSEMBLY
8	304392	SCREW
9	370445	CLAMP, HOSE
10	W10545278	DRAIN LOOP WITH CHECK VALVE ASEMBLY
11	W10195039	SWITCH, OVERFILL CONTROL
12	W10647205	HOUSING, OVERFILL (ALSO ORDER ITEM 13)
13	8531743	GASKET, FLAT
14	W10195038	NUT, STANDPIPE
15	W10195036	FLOAT & RETAINER ASSEMBLY
16	W10292152	MISCELLANEOUS PARTS BAG

WDT920SADM1 TUB AND FRAME

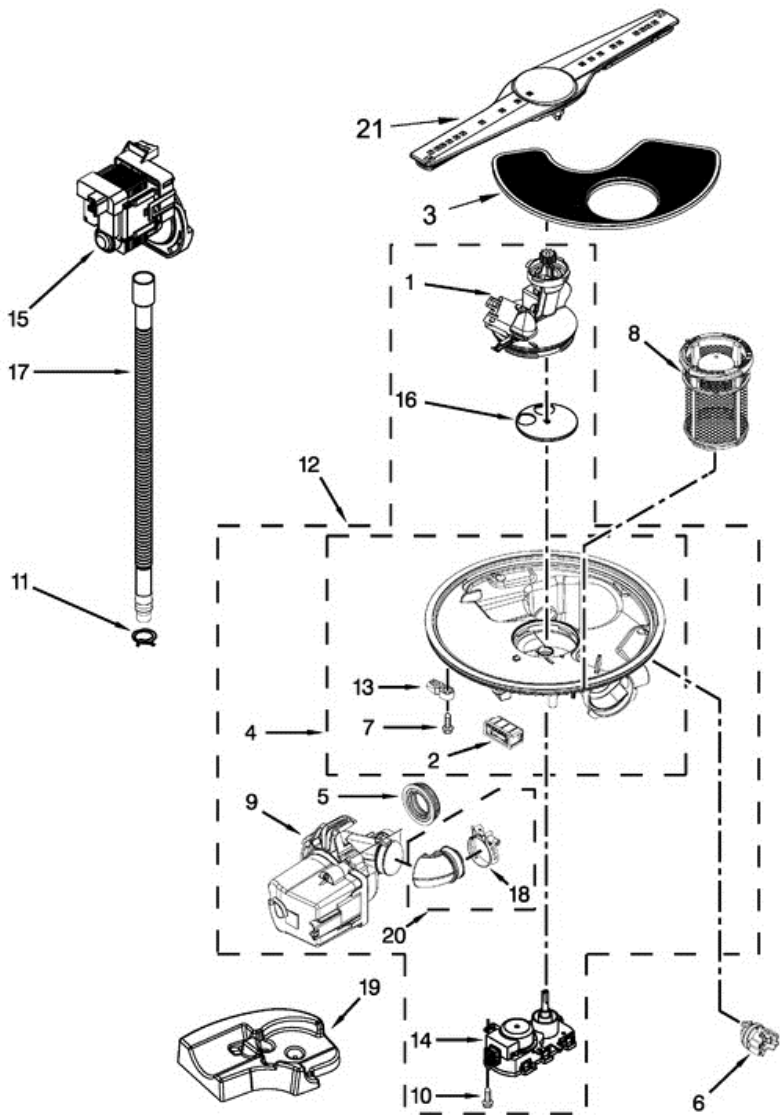




WDT920SADM1 TUB AND FRAME

1	W10681492	TUB ASSEMBLY (INCLUDES HEATER ASSEMBLY)
2	W10292870	SHIELD, THERMOSTAT
3	W10300924	GASKET, TUB
4	W10082838	PLUG, TUB
5	W10681564	SUPPORT ASSEMBLY, REAR
6	W10179427	SEAL, CABINET
7	W10195630	SPACER, TUB BRACE (LEFT HAND)
8	W10084086	DOOR BALANCE ASSEMBLY
9	3367670	SCREW
10	8269145	BRACKET, UNDERCOUNTER
11	3400074	SCREW
12	W10348411	SCREW
13	W10190778	WHEEL LEG
14	W10619352	LEVELER, LEG
15	W10337661	STRAIN RELIEF
16	8270020	SPRING, DOOR BALANCE
17	3400014	SCREW, GROUNDING
18	3400892	SCREW
19	W10653292	COVER, TERMINAL BOX
20	W10158291	CABLE, DOOR
21	W10713315	ASSEMBLY, TERMINAL BOX
22	3378128	WASHER, PRONGED CUP
23	8573240	SHIELD, TUB SOUND
24	W10300703	BRACKET, THERMOSTAT
25	W10195091	THERMOSTAT
26	W10544004	STRIKE, LATCH
7A	W10195631	SPACER, TUB BRACE (RIGHT HAND)

WDT920SADM1 PUMP WASHARM AND MOTOR

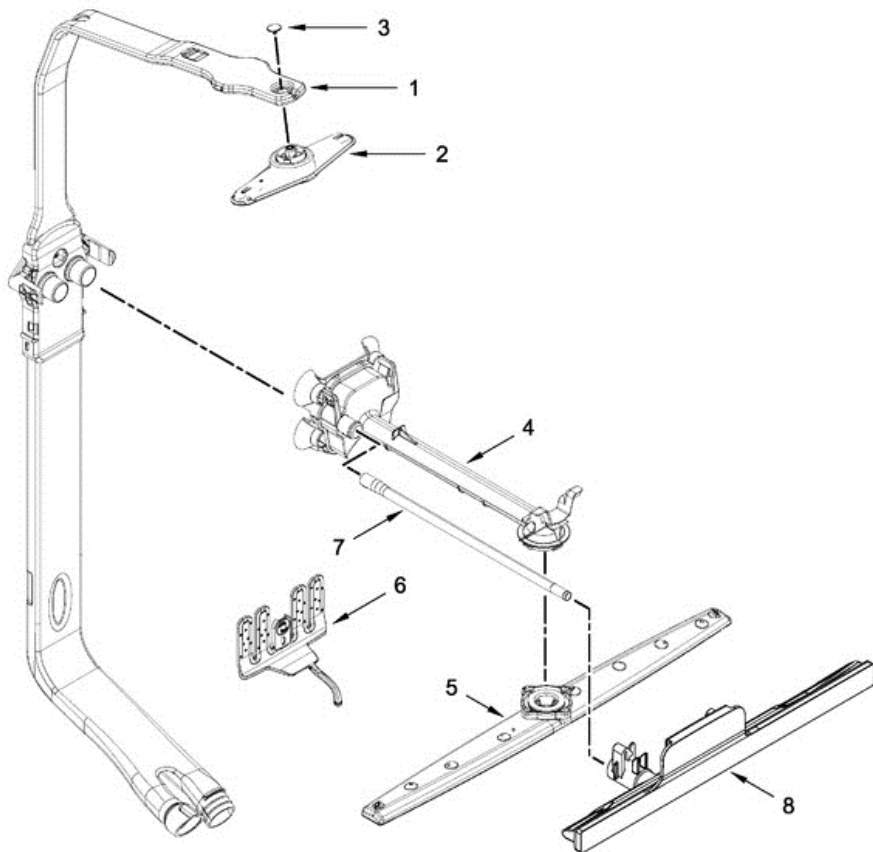




WDT920SADM1 PUMP WASHARM AND MOTOR

1	W10629542	COVER, OUTLET
2	W10195086	MOTOR, ISOLATOR
3	W10463906	SCREEN
4	W10455268	SUMP WITH SEAL (ALSO ORDER ITEMS 5 & 20)
5	W10538166	GROMMET
6	W10705575	INDICATOR, OPTICAL WASH
7	W10348407	SCREW
8	W10693534	FILTER CUP ASSEMBLY
9	W10529163	MOTOR (ALSO ORDER ITEMS 5 & 20)
10	9741232	SCREW
11	8269146	CLAMP, HOSE
12	W10671942	SUMP & MOTOR ASSEMBLY
13	W10372113	TAB, SUMP
14	W10476222	MOTOR, DIVERTER
15	W10084573	PUMP, DRAIN
16	W10476221	DISC, DIVERTER
17	8269144	HOSE, DRAIN
18	W10169167	CLAMP, HOSE
19	W10300776	DAMPER, SUMP ASSEMBLY
20	W10445975	HOSE ASSEMBLY (INCLUDES 2 CLAMPS)
21	W10629546	SPRAYARM, LOWER

WDT920SADM1 UPPER WASH AND
RINSE

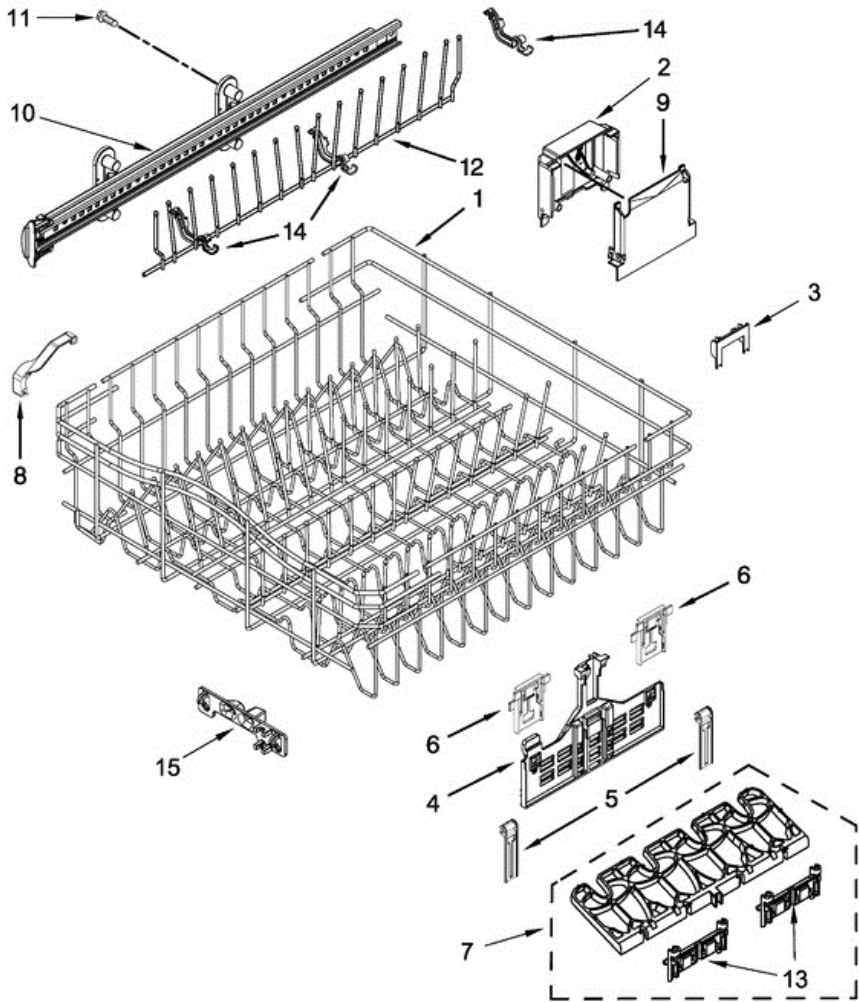




WDT920SADM1 UPPER WASH AND RINSE

1	W10579135	FEED TUBE ASSEMBLY (INCLUDES ITEMS 2 & 3)
2	W10327455	SPRAYARM, THIRD LEVEL
3	3400918	RETAINER
4	W10359185	MANIFOLD
5	W10498900	SPRAYARM, UPPER
6	W10671899	MANIFOLD, PROSCRUB
7	W10355006	TUBE, CONNECTING
8	W10644280	MANIFOLD, TALL ITEM ZONE

WDT920SADM1 UPPER RACK AND TRACK

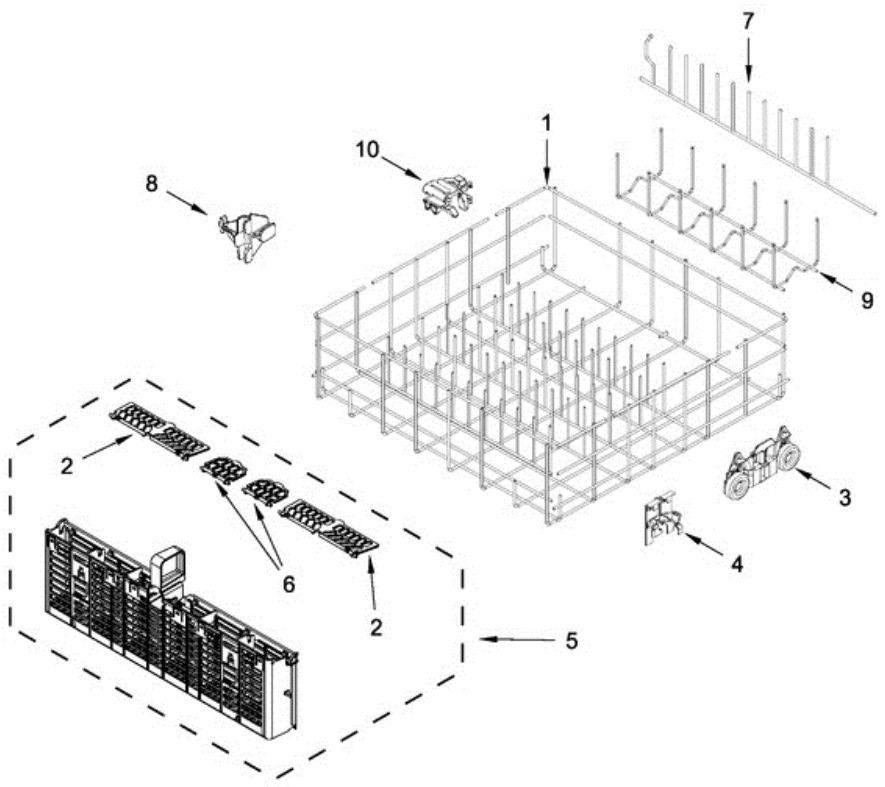




WDT920SADM1 UPPER RACK AND TRACK

1	W10350380	DISHRACK, UPPER
2	W10656415	HOUSING, ADJUSTER (ALSO ORDER ADJUSTER ASSEMBLY) (LEFT HAND)
2A	W10656414	HOUSING, ADJUSTER (ALSO ORDER ADJUSTER ASSEMBLY) (RIGHT HAND)
3	W10250160	CLIP, ADJUSTER
4	W10629521	ADJUSTER ASSEMBLY (LEFT HAND)
4A	W10629520	ADJUSTER ASSEMBLY (RIGHT HAND)
5	W10195839	STRAP, TETHER ADJUSTER
6	W10195840	POSITIONER, ADJUSTER
7	W10082649	CUPSHELF ASSEMBLY
8	W10267076	CLIP, DISPENSER GUARD
9	W10462366	COVER, ADJUSTER
10	W10460371	TRACK, DISHRACK
11	W10309090	SCREW
12	8562030	TINE ROW, FOLD DOWN
13	W10082848	CLIP, CUPSHELF
14	W10082853	CLIP, PIVOT
15	W10671900	POSITIONER, DUAL

WDT920SADM1 LOWER RACK





WDT920SADM1 LOWER RACK

1	W10380385	DISHRACK, LOWER
2	W10644277	LID, SILVERWARE BASKET (SIDE)
3	W10195416	WHEEL & TRANSPORT ASSEMBLY
4	W10671902	RETAINER, TINE ROW (COMBO)
5	W10629540	SILVERWARE BASKET ASSEMBLY
6	W10644279	LID, SILVERWARE BASKET (CENTER)
7	W10380209	TINE, FOLD DOWN
8	W10671904	CLIP, SILVERWARE BASKET
9	W10671927	SLIDING TINE
10	W10671903	RETAINER, SLIDING TINE