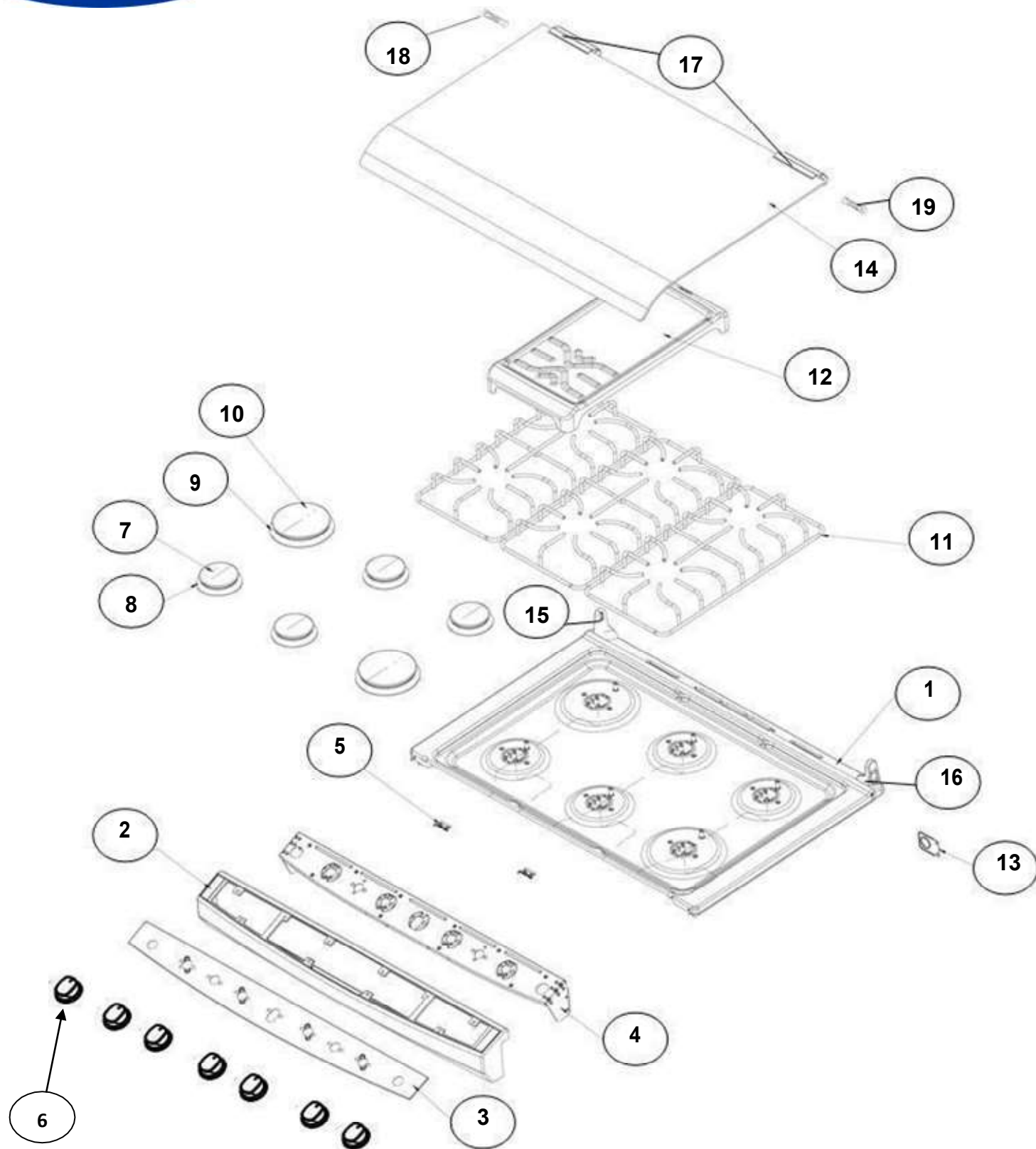


EXPLOSIONADO DE PARTES

— ESTUFA EMPOTRABLE 30" —

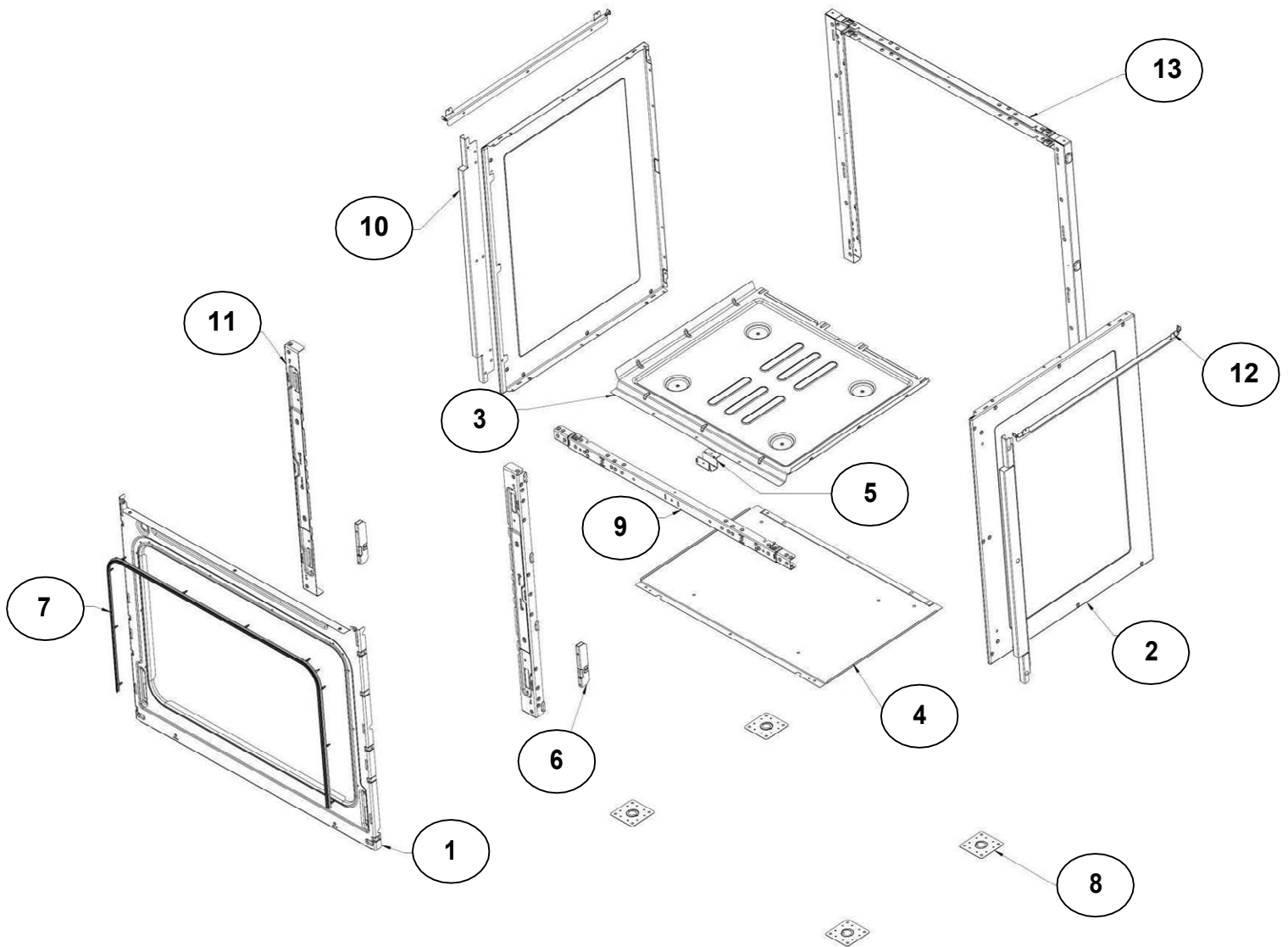
MODELO | WE5845D00





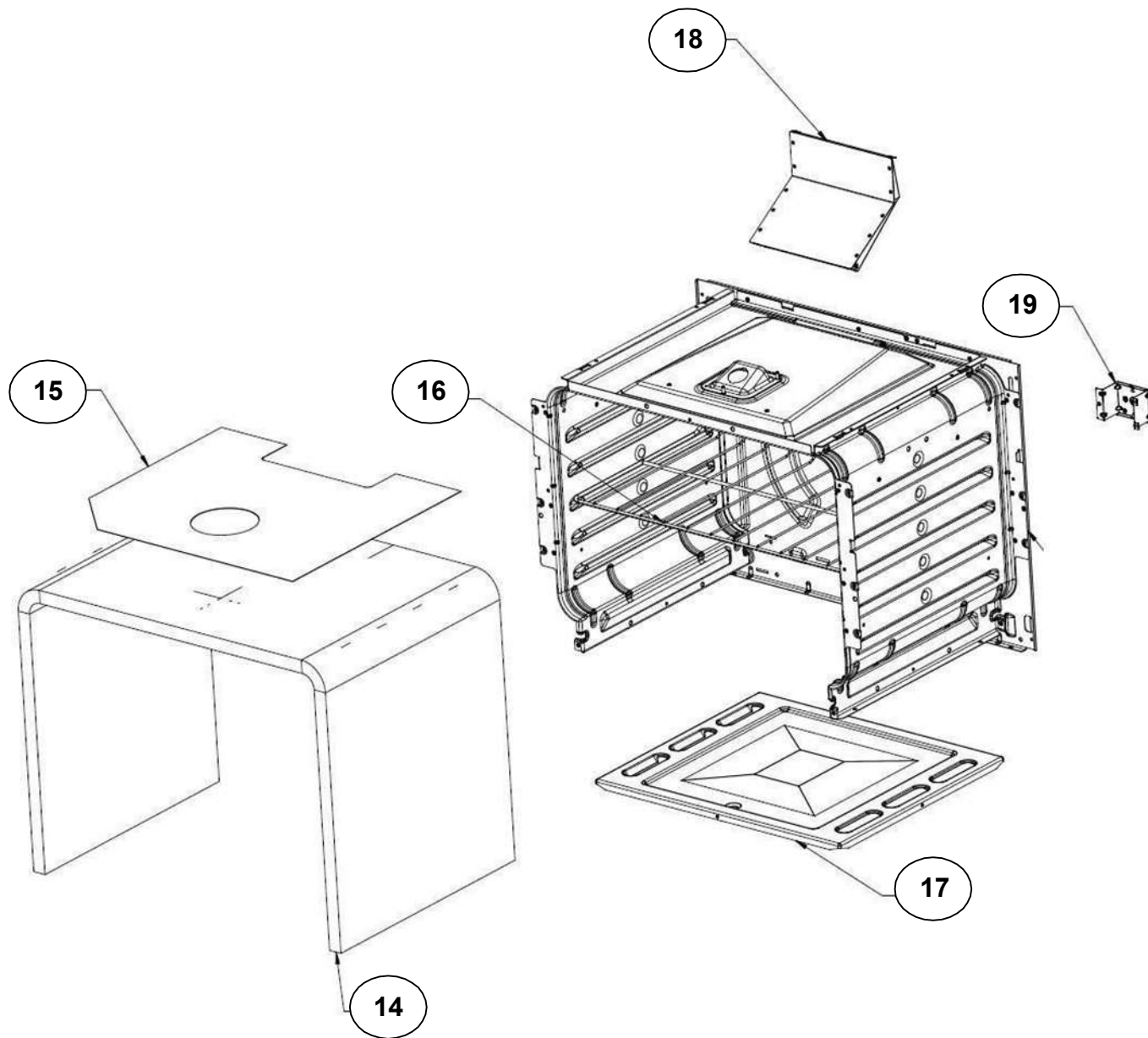
ESTUFA WE5845D00

No. Ilus.	DESCRIPCIÓN	Cant.	No. de Parte
1	Cooktop	1	W10429774
2	Panel Bmc & Cover	1	W10494208
3	Aplique Manifold Panel Fire Thermostat	1	W10725519
4	Manifold Pipe Support-Bi	1	W10429743
5	Front Clip Cooktop Bi	2	W10503776
6	Single Knob Gray	7	W10797549
7	Std Burner	4	W10354371
8	Std Cap Burner	4	W10532166
9	Super Burner	2	W10356319
10	Super Burner Cap	2	W10532167
11	Wire Grate Spider	3	W10614446
12	Griddle Stamped	1	W10387433
13	Bracket Manifold Tube	1	W10381587
14	Glass Lid Assy	1	W10615607
15	Bracket - Rs, Glass Lid	1	W10546251
16	Bracket - Ls, Glass Lid	1	W10546253
17	Trim - Glass Lid, Short	2	W10477615
18	R.H. Hinge Glass Lid	1	W10206666
19	L.H. Hinge Glass Lid	1	W10206667
**	Bumper Glass Lid	2	W10373346
	TORNILLO CUBIERTA QUEMADOR	*	W10146346





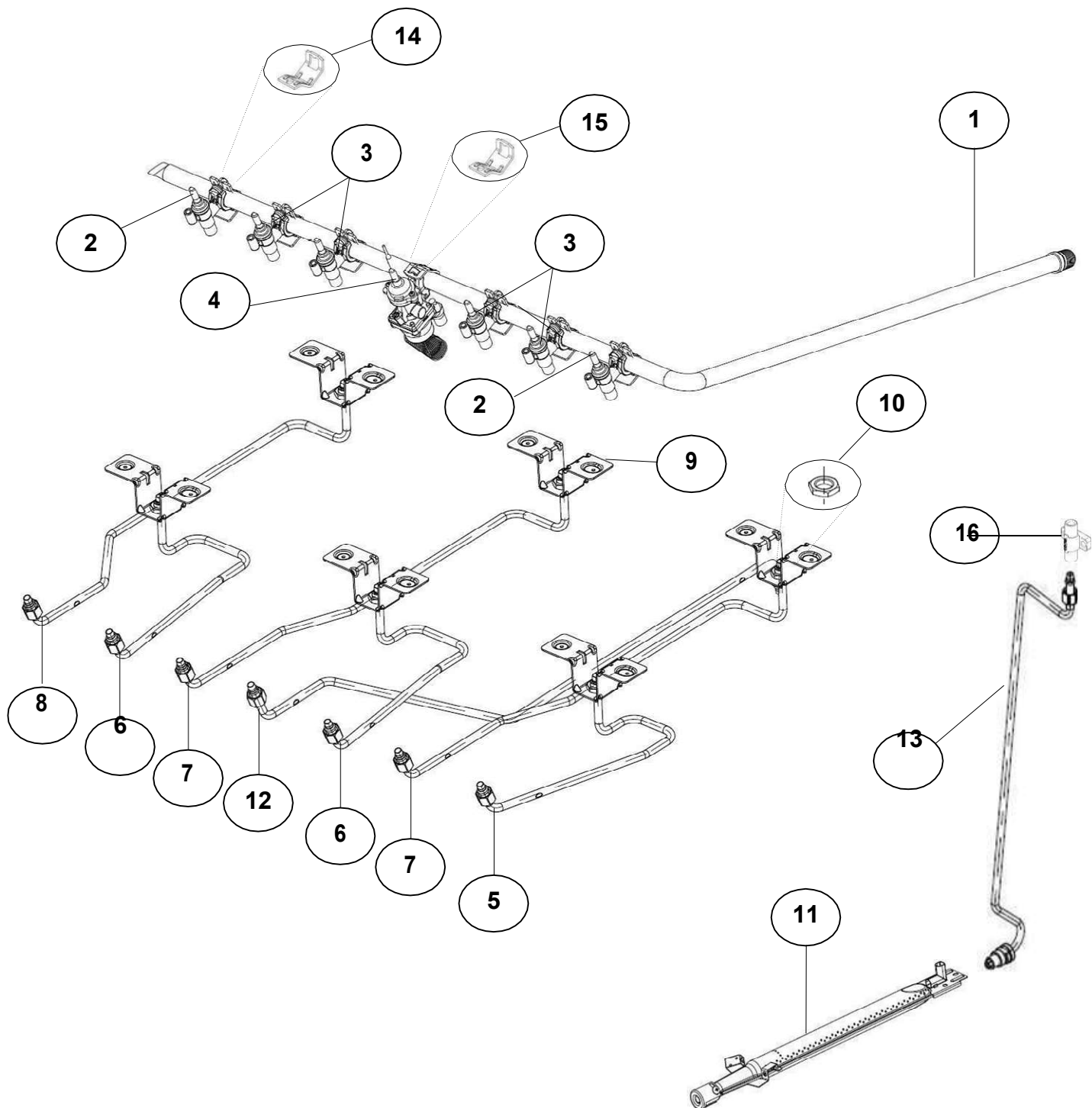
ESTUFA WE5845D00





ESTUFA WE5845D00

<u>No. Ilus.</u>	<u>DESCRIPCIÓN</u>	<u>Cant.</u>	<u>No. de Parte</u>
1	Front Fame 30"	1	W10448073
2	Side Panel Bi-Black	2	W10364563
3	Oven Burner Deflector	1	W10327231
4	Base Baffle	1	W10607808
5	Front Bracket - Oven Burner	1	W10387513
6	Counter Support	2	W10327222
7	Oven Door Seal 30"	1	W10759584
8	Corner Plate	4	W10364505
9	Upper Front Cross	1	W10327223
10	Side Trim Bi Black	2	W10539013
11	Front Vertical Pillar Bi	2	W10327220
12	Top Support-Built In	2	W10429735
13	Rear Frame Asm Bi	1	W10494904
14	Oven Insulation Wrapper	1	W10364807
15	Aluminum Foil - Ultra	1	**
17	Oven Bottom	1	W10764694
18	Flue Box Assy	1	W10389355
19	Bracket Rear	1	W10381594



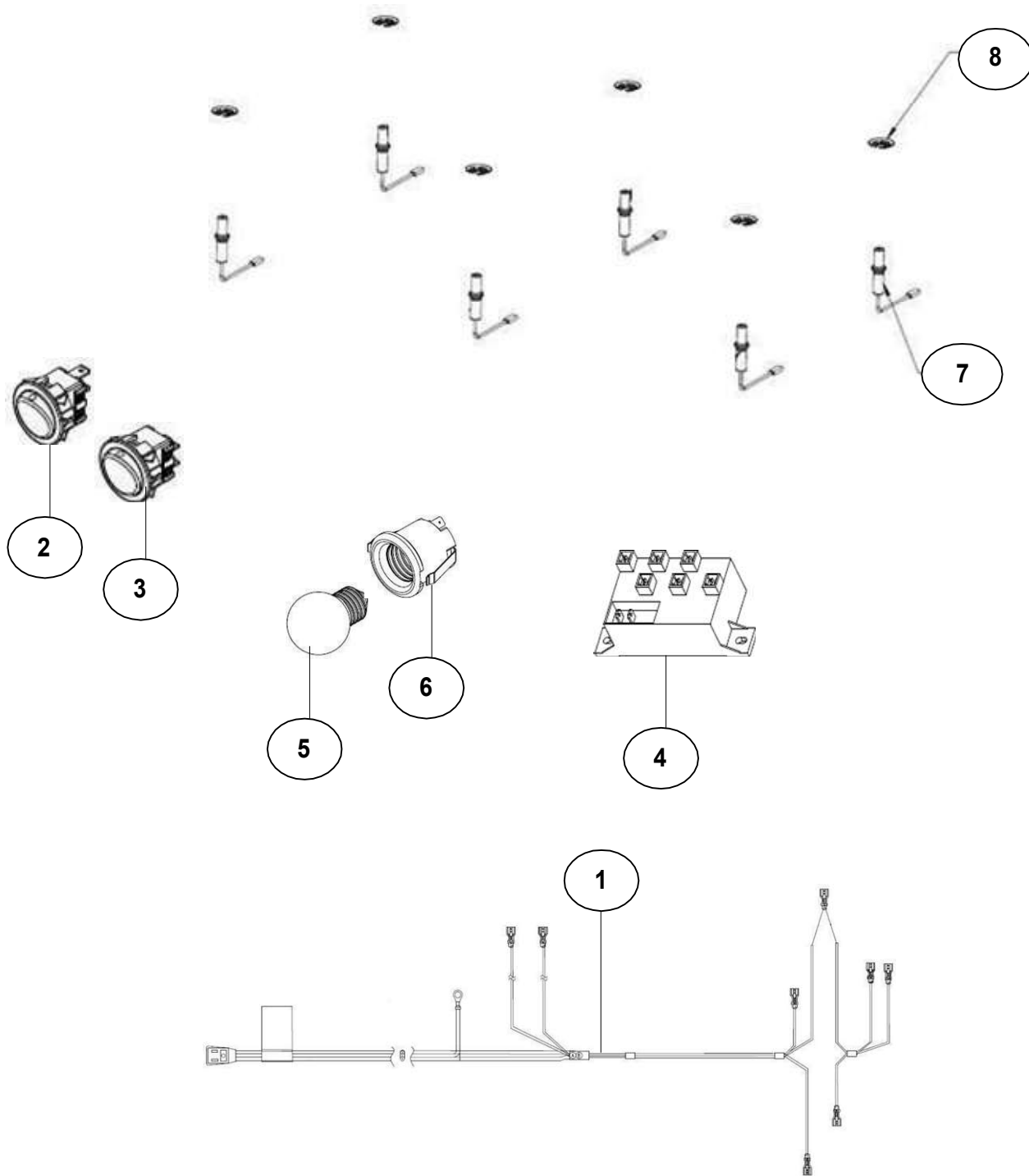


ESTUFA WE5845D00

No. Ilus.	DESCRIPCIÓN	Cant.	No. de Parte
1	Manifold Tube	1	W10381640
2	Valve Surf Zamak Tub.Sup	2	W10452673
3	Valve Surf Zamak Tub.Std	4	W10452660
4	Thermostat	1	W10452676
5	Front Tubing Asm - Sup	1	W10494190
6	Front Tubing Asm - Std	2	W10494191
7	Rear Tubing Asm - Std	2	W10494193
8	Rear Tubing Asm - Sup	1	W10556806
9	Bracket - Surface Burner	6	W10354300
10	Nut Bracket Tubing	6	98017323
11	Oven Burner	1	W10646982
12	Oven Tubing - Upper Thermocontrol	1	W10647686
13	Tubing Assy Bottom - Oven	1	W10647686
14	Saddle Connection	7	W10075697
15	Saddle Connection Therm	1	**
16	Oven Tubing Connector	1	**
	Manifold Tube Assy		W10381628
	Kit Conv NG		W10513469
	Kit Conv LP		W10513466



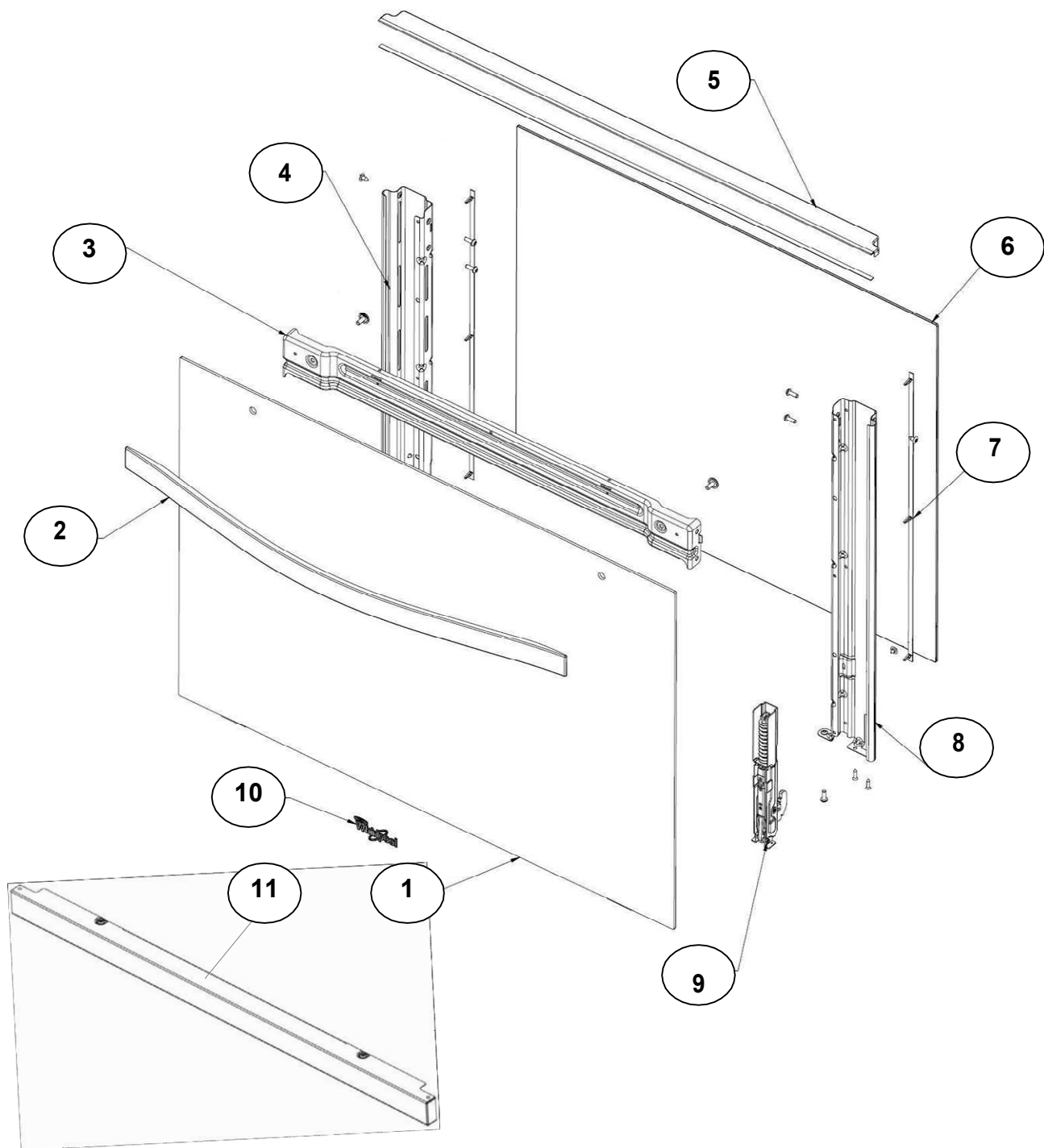
ESTUFA WE5845D00





ESTUFA WE5845D00

<u>No. Ilus.</u>	<u>DESCRIPCIÓN</u>	<u>Cant.</u>	<u>No. de Parte</u>
1	Main Harness F & F	1	W10381597
2	Oven Light Switch - Sh Gry	1	W10568374
3	Ignition Switch Sh Gray	1	W10568375
4	Spark Module 6 Pos.	1	W10455035
5	Oven Bulb	1	W10788320
6	Socket - Oven Light	1	W10554269
	Top Electrode 740	1	W10391624
7	Top Electrode 650	2	W10391625
	Top Electrode 500	1	W10381604
	Top Electrode 350	2	W10381605
8	Clip Ignitor -Top Burner	6	W10654842



No. Ilus.	DESCRIPCIÓN	Cant.	No. de Parte
1	Outer Glass - Bi, Oven Door	1	W10479714
2	Oven Door Handle	1	W10397442
3	Oven Door Cross Support	1	W10387343
4	Oven Door Pillar Left	1	W10445015
5	Upper Trim - Oven Door	1	W10544145
6	Inner Glass - Oven Door	1	W10372163
7	Inner Glass Seal	2	W10292266
8	Oven Door Pillar Right	1	W10445013
9	Oven Door Hinge	2	W10420751
10	Badge-Whirlpool Centennial	1	W10481433
11	Kick Panel Asm	1	W10493748
Oven Door Asm			W10859424

KIT DE CONVERSION GAS NATURAL:	W10513469	
Componentes a solicitar:	W10132112 (4)	ORIFICE STD BURNER
	W10118331 (2)	ORIFICE SUPER BURNER
	W10539375 (1)	ORIFICE OVEN BURNER
	W10121465 (1)	BY-PASS THERMOSTAT
	W10452674 (2)	VALVE FOR SUPER BURNER
	W10452673 (4)	VALVE FOR STD BURNER



NOTA IMPORTANTE

Si el número de serie de la estufa a la cual se le realizará la conversión de gas comienza de la siguiente manera VE722XXXXX o en adelante, es decir, VE723XXXXX, VE724XXXXX etc. favor de solicitar el contenido del siguiente kit. En caso de que el número de serie comience de diferente manera favor de solicitar el kit de arriba

Componentes a solicitar:	W10874075 (1)	TUBING TRASERO IZQUIERDO
	W10874076 (1)	TUBING FRONTAL IZQUIERDO
	W10874077 (1)	TUBING TRASERO CENTRAL
	W10874076 (1)	TUBING DELANTERO CENTRAL
	W10874077 (1)	TUBING TRASERO DERECHO
	W10874079 (1)	TUBING FRONTAL DERECHO
	W10539375 (1)	ESPREA QUEMADOR HORNO
	W10452673 (4)	VALVULA QUEMADOR ESTANDAR
	W10452674 (2)	VALVULA QUEMADOR SUPER
	W10452677 (1)	TERMOCONTROL