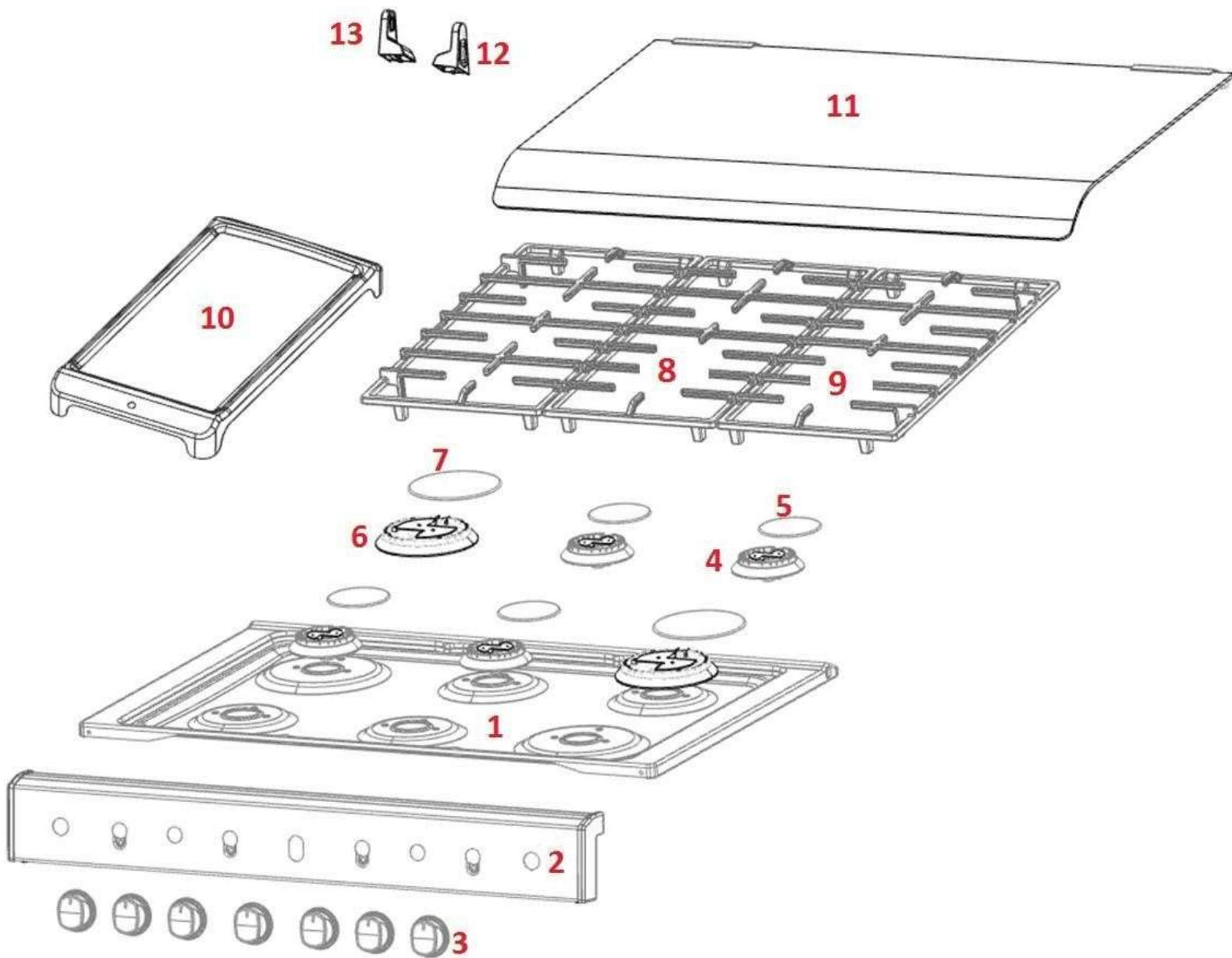




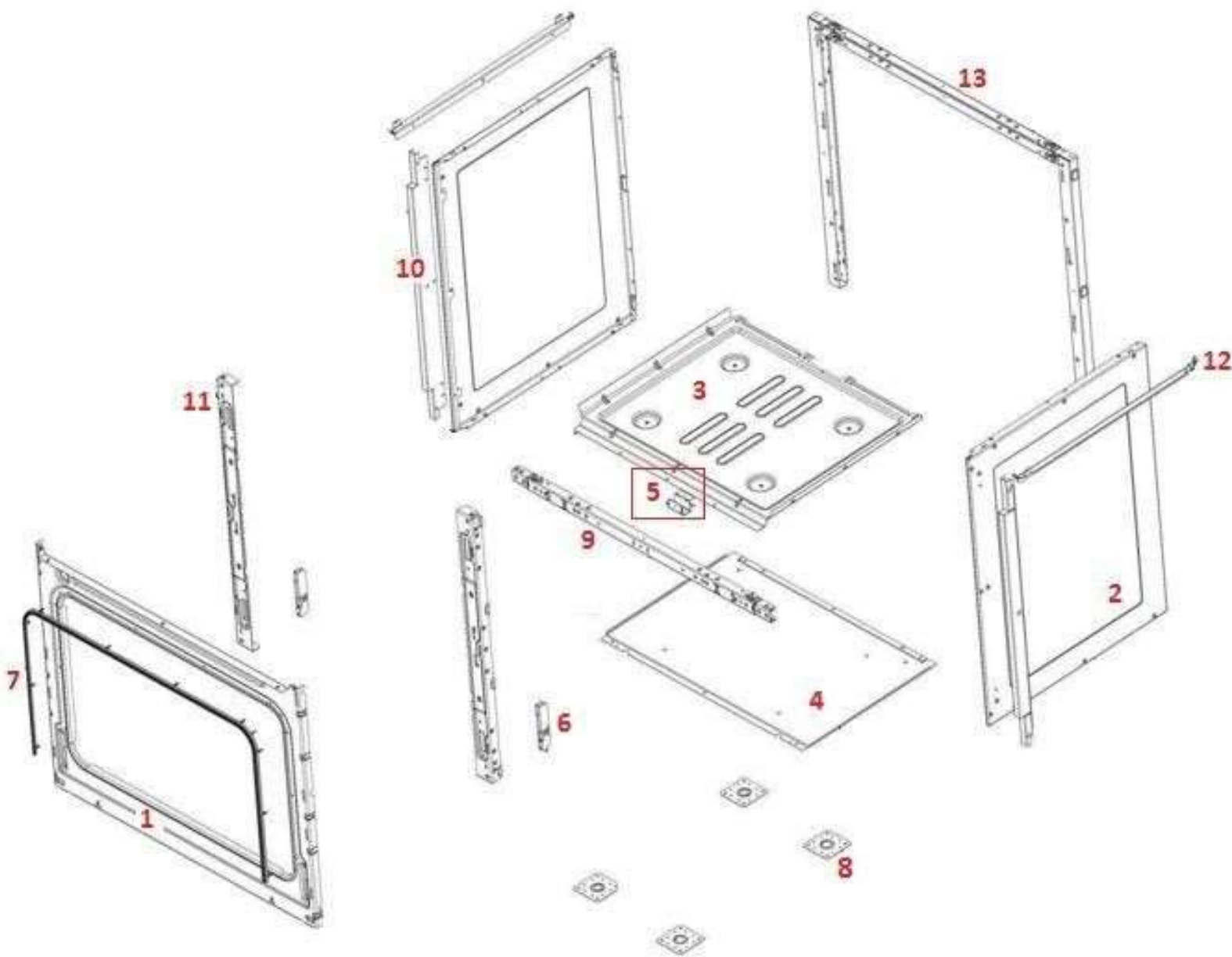
ESTUFA WE5846S

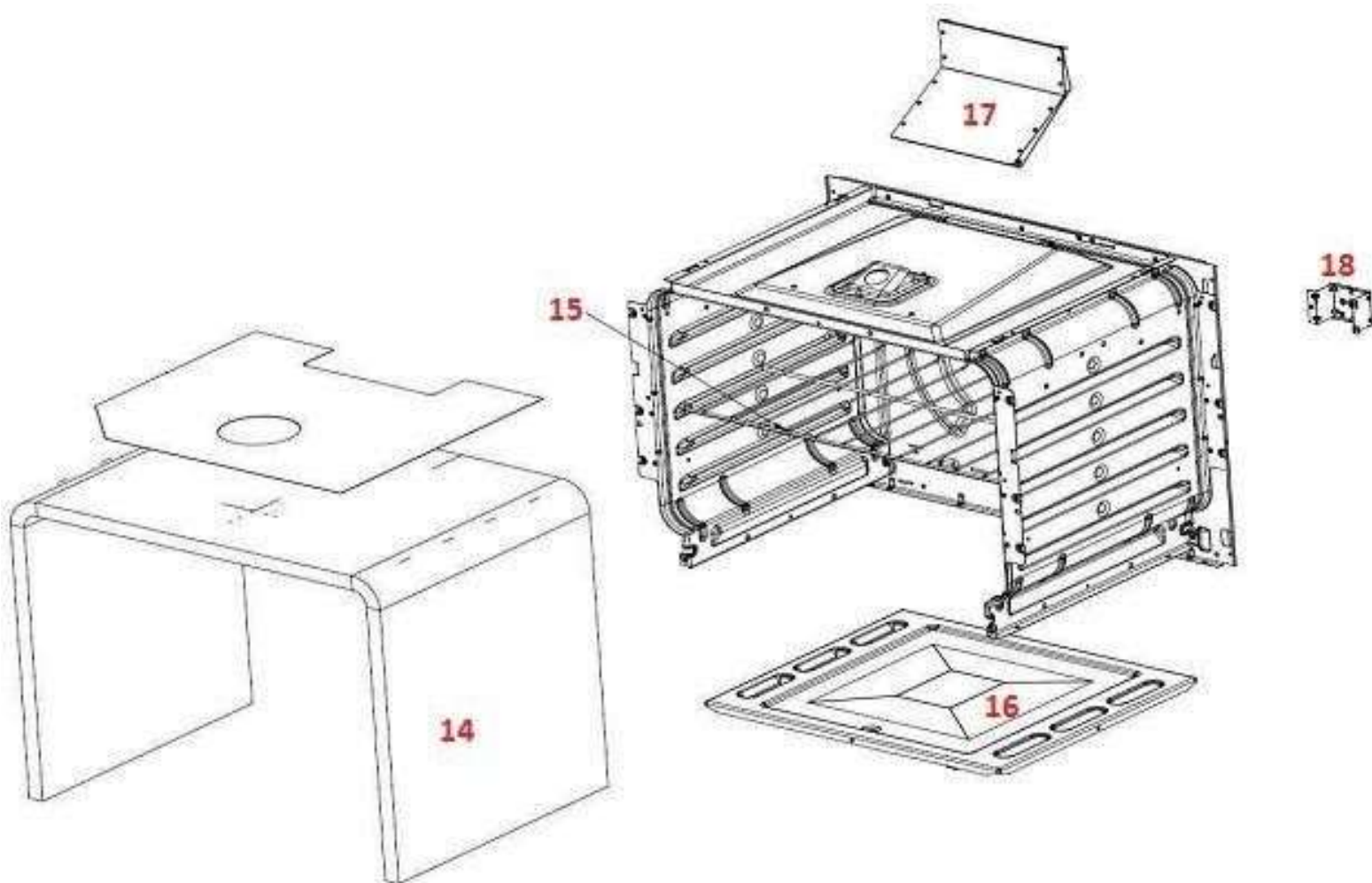




ESTUFA WE5846S

No. Ilus.	DESCRIPCIÓN	Cant.	No. de Parte
1	COOKTOP	1	W10429774
2	MANIFOLD PANEL DECARATED	1	W11135059
3	SINGLE KNOB GRAY	7	W10797549
4	STD BURNER	4	W10354371
5	STD CAP BURNER	4	W10532166
6	SUPER BURNER	2	W10356319
7	SUPER BURNER CAP	2	W10532167
8	GRATE CENTRAL SLIM – CAST IRON	1	W10469928
9	GRATE LATERAL SLIM – CAST IRON	2	W10469929
10	GRIDDLE STAMPED	1	W10387433
11	GLASS LID ASSY	1	W10615607
12	BRACKET - RS, GLASS LID	1	W10546251
13	BRACKET - LS, GLASS LID	1	W10546253
**	BUMPER GLASS LID	2	W10373346
	TORNILLO CUBIERTA QUEMADOR	*	W10146346





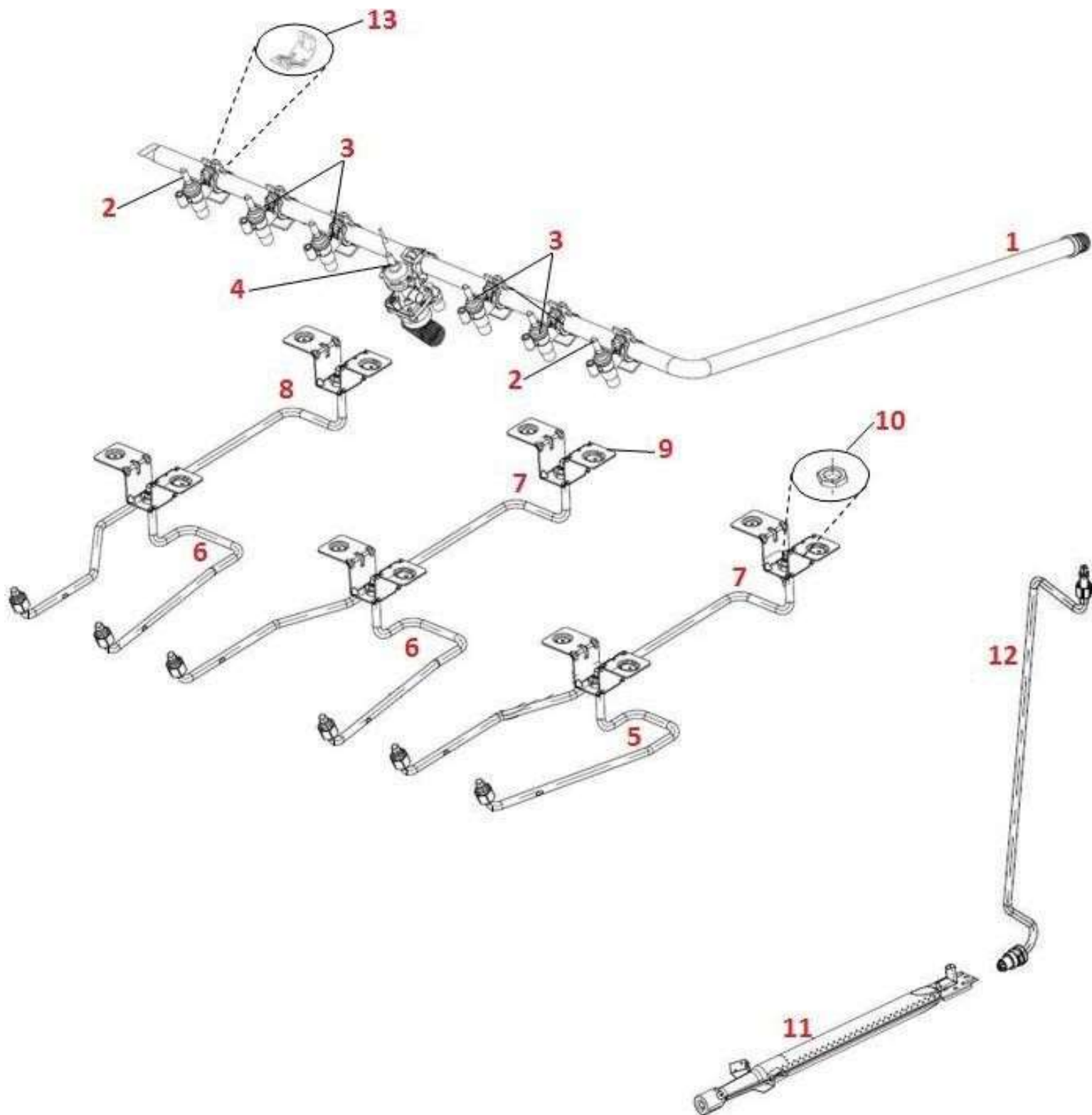


ESTUFA WE5846S

No. Ilus.	DESCRIPCIÓN	Cant.	No. de Parte
1	FRONT FAME 30"	1	W10448073
2	SIDE PANEL BI-BLACK	2	W10364563
3	OVEN BURNER DEFLECTOR	1	W10327231
4	BASE BAFFLE	1	W10607808
5	FRONT BRACKET - OVEN	1	W10387513
6	COUNTER SUPPORT	2	W10327222
7	OVEN DOOR SEAL 30"	1	W10759584
8	CORNER PLATE	4	W10364505
9	UPPER FRONT CROSS	1	W10327223
10	SIDE TRIM BI BLACK	2	W10539013
11	FRONT VERTICAL PILLAR BI	2	W10327220
12	TOP SUPPORT-BUILT IN	2	W10429735
13	REAR FRAME ASM BI	1	W10494904
14	OVEN INSULATION	1	W10364807
15	OVEN RACK	1	W10550642
16	OVEN BOTTOM	1	W10764694
17	FLUE BOX ASSY	1	W10389355
18	BRACKET REAR	1	W10381594



ESTUFA WE5846S

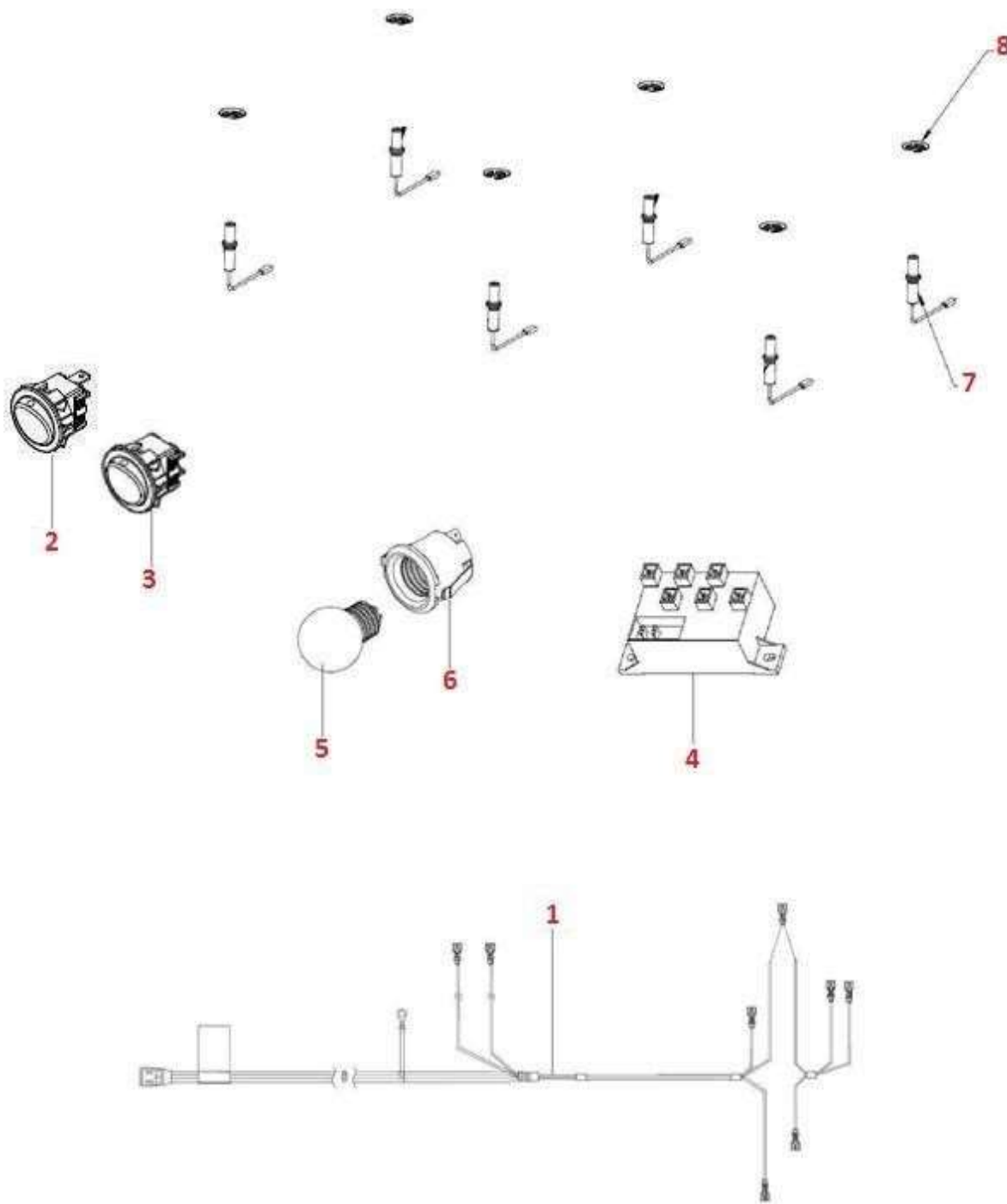


BENITO JUÁREZ #1500 GPE ZITON, CD. GUADALUPE NUEVO LEÓN TEL: 8183377999 Y 49
HORARIOS: LUNES A VIERNES 8:30 A 6:00 PM Y SÁBADOS DE 8:30 A 2:00 PM
WEB: www.denek.com



ESTUFA WE5846S

No. Ilus.	DESCRIPCIÓN	Cant.	No. de Parte
1	MANIFOLD TUBE	1	W10564381
2	VALVE SURF ZAMAK TUB.SUP	2	W10452673
3	VALVE SURF ZAMAK TUB.STD	4	W10452660
4	THERMOSTAT	1	W10452676
5	FRONT TUBING ASM - SUP	1	W10623403
6	FRONT TUBING ASM - STD	2	W10623383
7	REAR TUBING ASM - STD	2	W10623386
8	REAR TUBING ASM - SUP	1	W10623396
9	BRACKET - SURFACE BURNER	6	W10354300
10	NUT BRACKET TUBING	6	98017323
11	OVEN BURNER	1	W10646982
12	OVEN TUBING	1	W10647686
13	SADDLE CONNECTION	7	W10075697
MANIFOLD TUBE ASSY			W10564379





ESTUFA WE5846S

No. Ilus.	DESCRIPCIÓN	Cant.	No. de Parte
1	MAIN HARNESS F & F	1	W10381597
2	OVEN LIGHT SWITCH	1	W10568374
3	IGNITION SWITCH SHGRAY	1	W10568375
4	SPARK MODULE 6 POS.	1	W10455035
5	OVEN BULB	1	W10788320
6	SOCKET - OVEN LIGHT	1	W10554269
	TOP ELECTRODE 740	1	W10391624
7	TOP ELECTRODE 650	2	W10391625
	TOP ELECTRODE 500	1	W10381604
	TOP ELECTRODE 350	2	W10381605
8	CLIP IGNITOR -TOP BURNER	6	W10822899