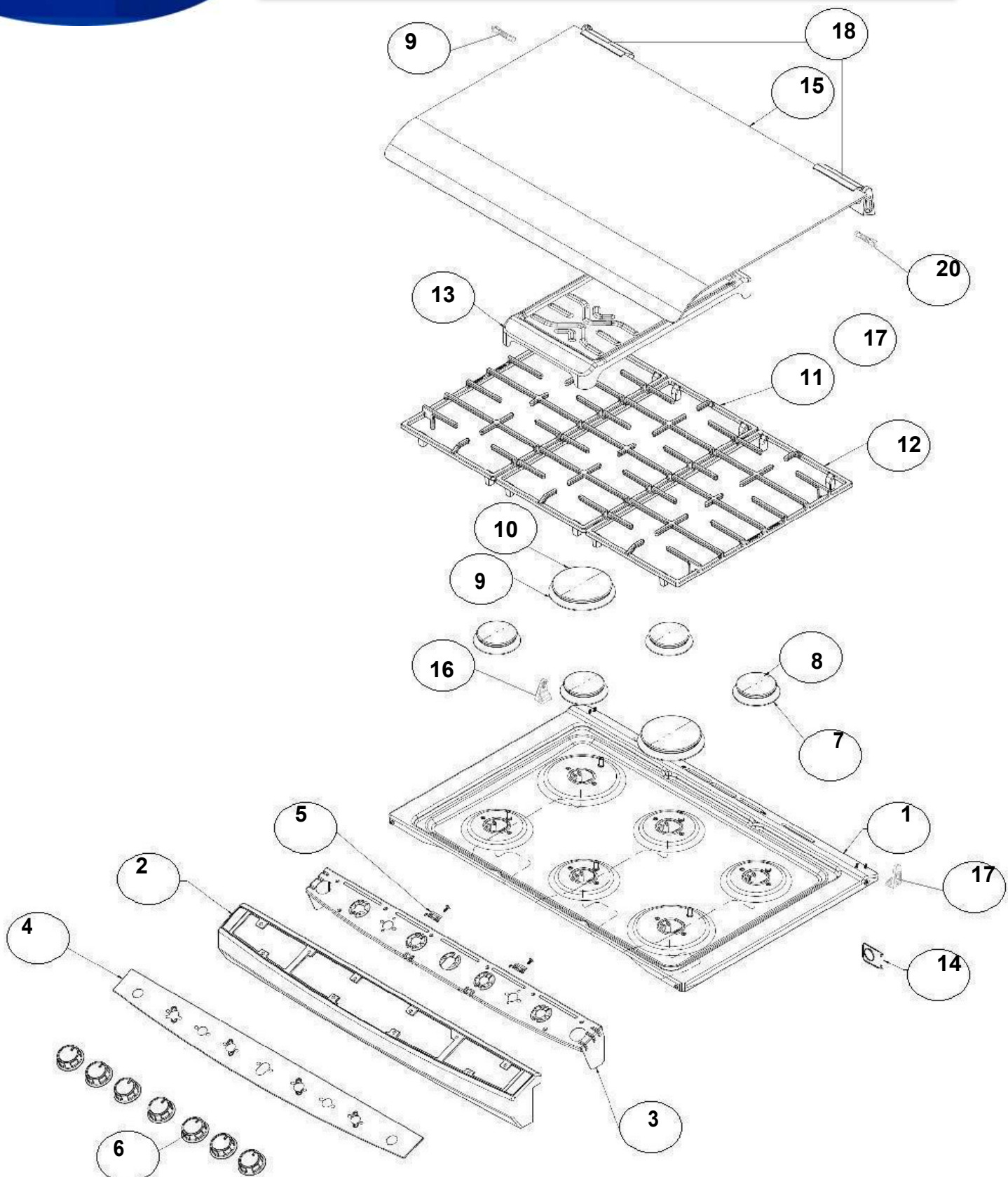


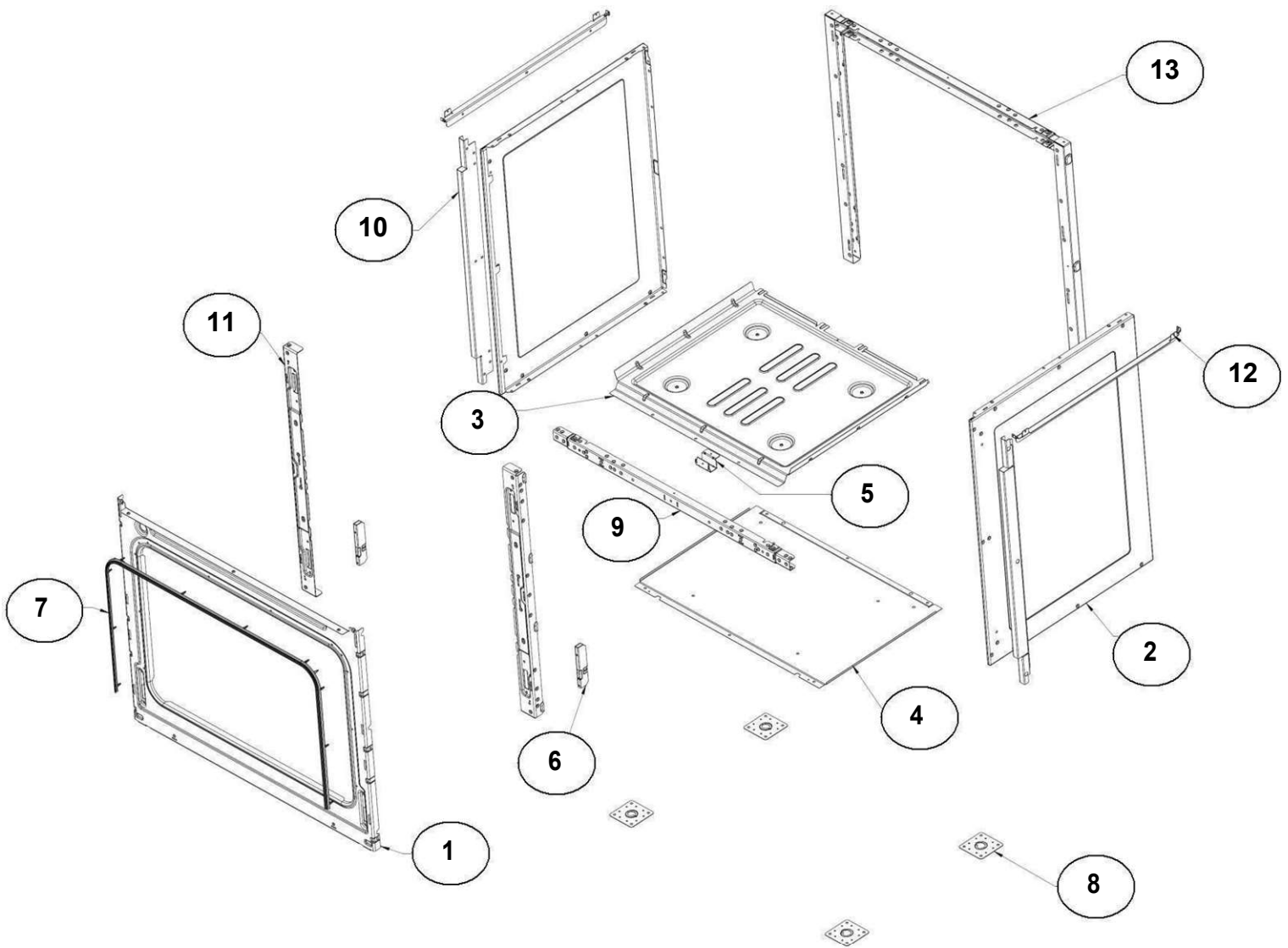


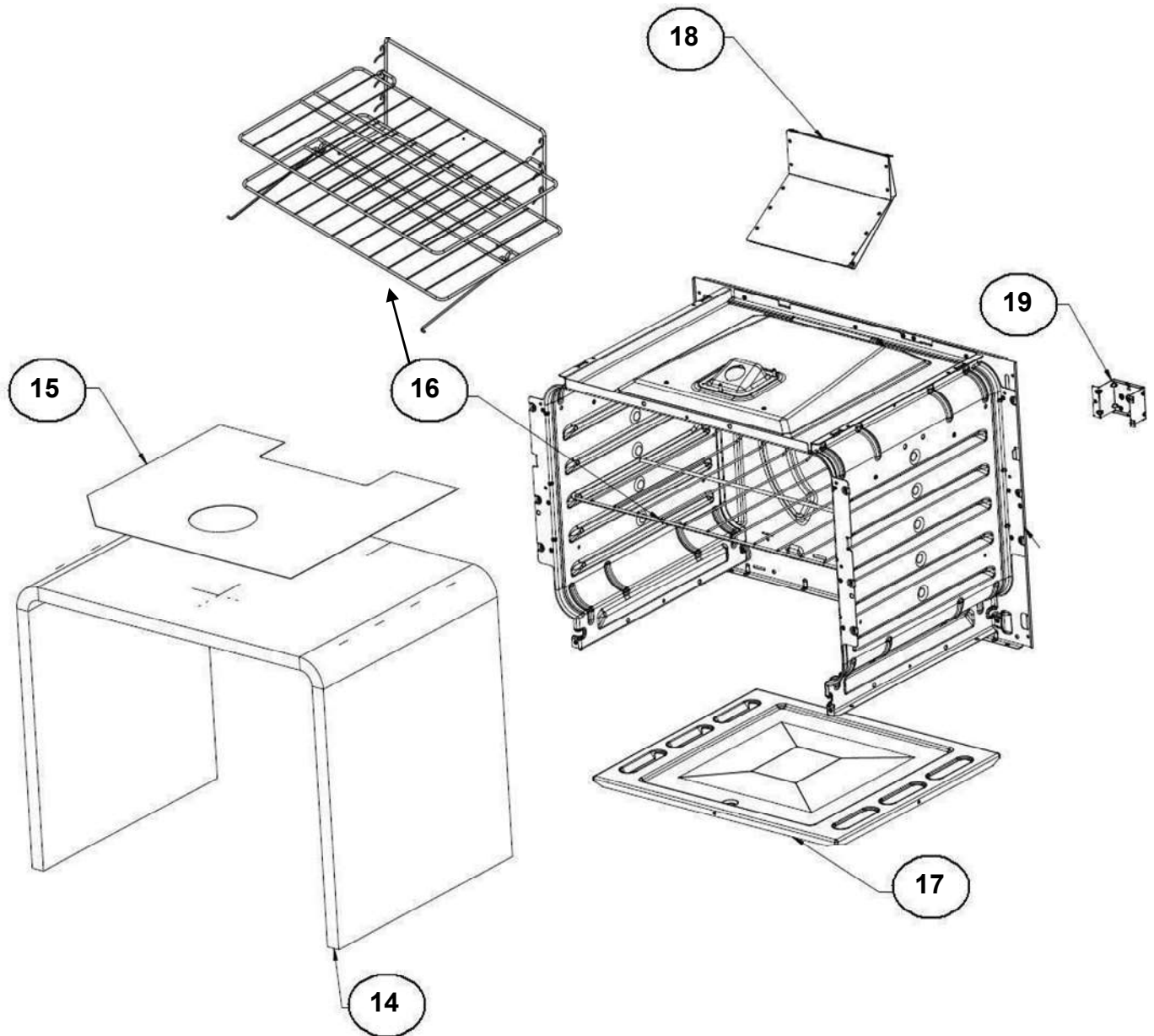
ESTUFA WE6255S00



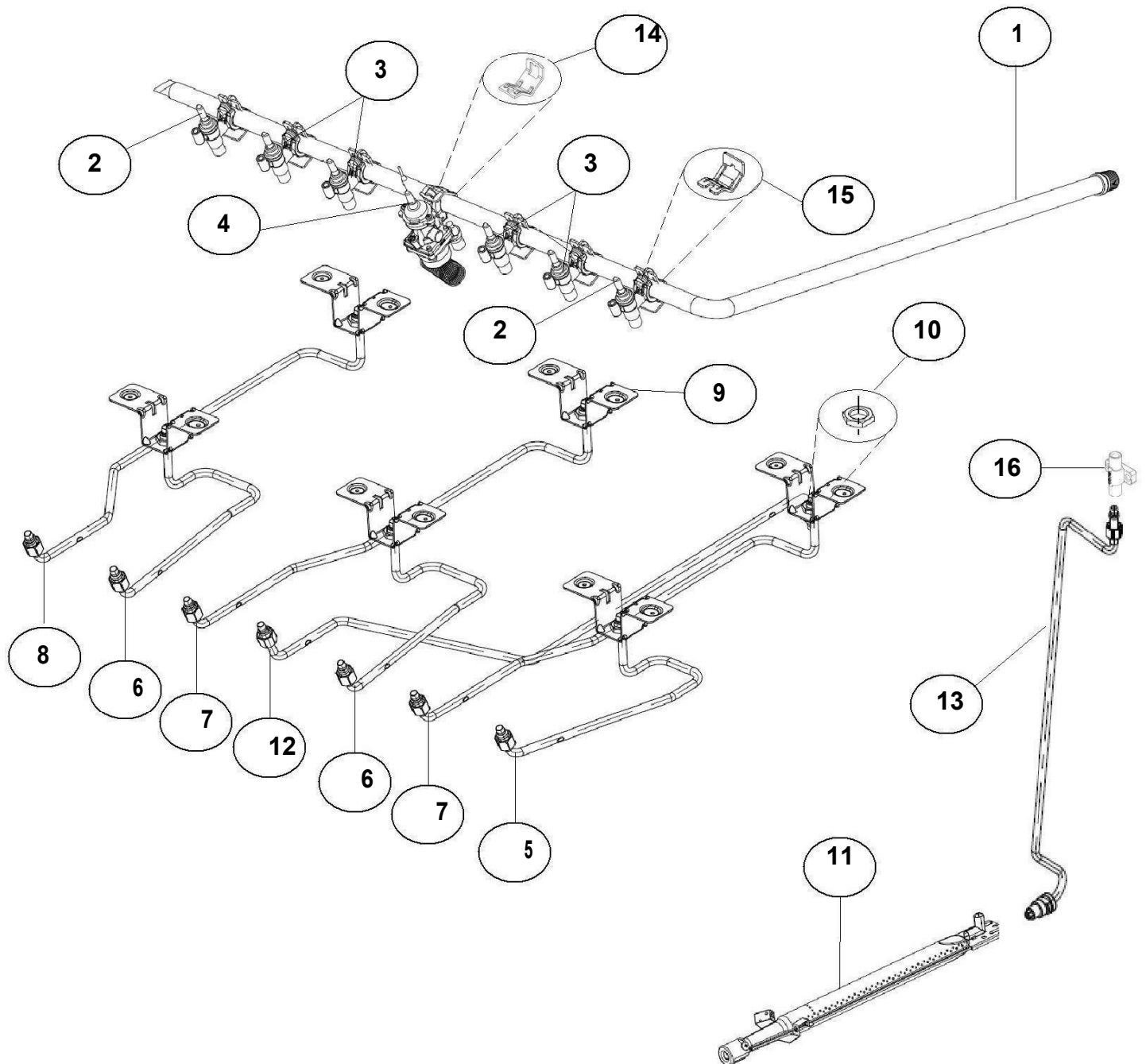
BENITO JUAREZ #1500 GPE ZITON, CD. GUADALUPE NUEVO LEON TEL: 8183377999 Y 49
HORARIOS: LUNES A VIERNES 8:30 A 6:00 PM Y SÁBADOS DE 8:30 A 2:00 PM
WEB: www.denek.com

No. Ilus.	DESCRIPCIÓN	Cant.	No. de Parte
1	COOKTOP	1	W10429774
2	PANEL BMC & COVER	1	W10501980
3	MANIFOLD PIPE SUPPORT-BI	1	W10429743
4	APLIQUE MANIFOLD PANEL FIRE THERMOSTAT	1	W10725525
5	FRONT CLIP COOKTOP BI	2	W10503776
6	SINGLE KNOB GRAY	7	W10715373
7	STD BURNER	4	W10354371
8	STD CAP BURNER	4	W10190267
9	SUPER BURNER	2	W10356319
10	SUPER BURNER CAP	2	W10190271
11	GRATE CENTRAL SLIM	1	W10469928
12	GRATE LATERAL SLIM	2	W10469929
13	GRIDDLE STAMPED	1	W10387433
14	BRACKET MANIFOLD TUBE	1	W10381587
15	GLASS LID ASSY	1	W10615607
16	BRACKET - RS, GLASS LID	1	W10546251
17	BRACKET - LS, GLASS LID	1	W10546253
18	TRIM - GLASS LID, SHORT	2	W10477615
19	R.H. HINGE GLASS LID	1	W10206666
20	L.H. HINGE GLASS LID	1	W10206667
**	BUMPER GLASS LID	2	W10603704
	TORNILLO CUBIERTA QUEMADOR	*	W10146346

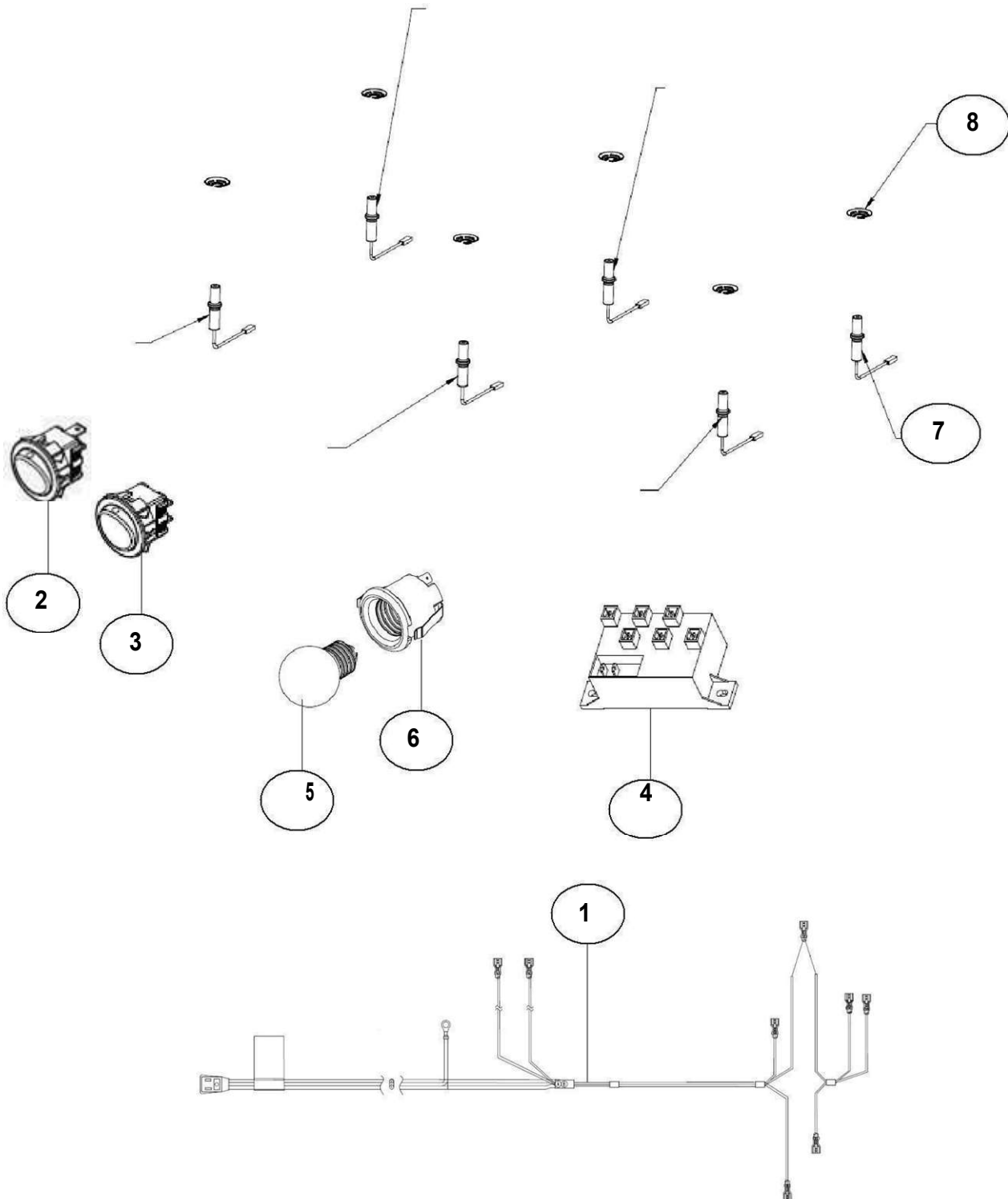




No. Ilus.	DESCRIPCIÓN	Cant.	No. de Parte
1	FRONT FAME 30"	1	W10448073
2	SIDE PANEL BI-BLACK	2	W10364563
3	OVEN BURNER DEFLECTOR	1	W10327231
4	BASE BAFFLE	1	W10607808
5	FRONT BRACKET - OVEN BURNER	1	W10387513
6	COUNTER SUPPORT	2	W10327222
7	OVEN DOOR SEAL 30"	1	W10759584
8	CORNER PLATE	4	W10364505
9	UPPER FRONT CROSS	1	W10327223
10	SIDE TRIM BI BLACK	2	W10539013
11	FRONT VERTICAL PILLAR BI	2	W10327220
12	TOP SUPPORT-BUILT IN	2	W10429735
13	REAR FRAME ASM BI	1	W10590945
14	OVEN INSULATION WRAPPER	1	W10364807
15	ALUMINUM FOIL – ULTRA	*	*****
16	UPPER OVEN RACK FINISH 30"	1	W10787333
	BOTTOM OVEN RACK FINISH - 30"	1	W10787258
	PUSH ROAD FINISH	2	W10787350
17	OVEN BOTTOM	1	W10448075
18	FLUE BOX ASSY	1	W10389355
19	BRACKET REAR	1	W10381594
	SOPORTE DE SUJECION PARRILLA	4	W10755960



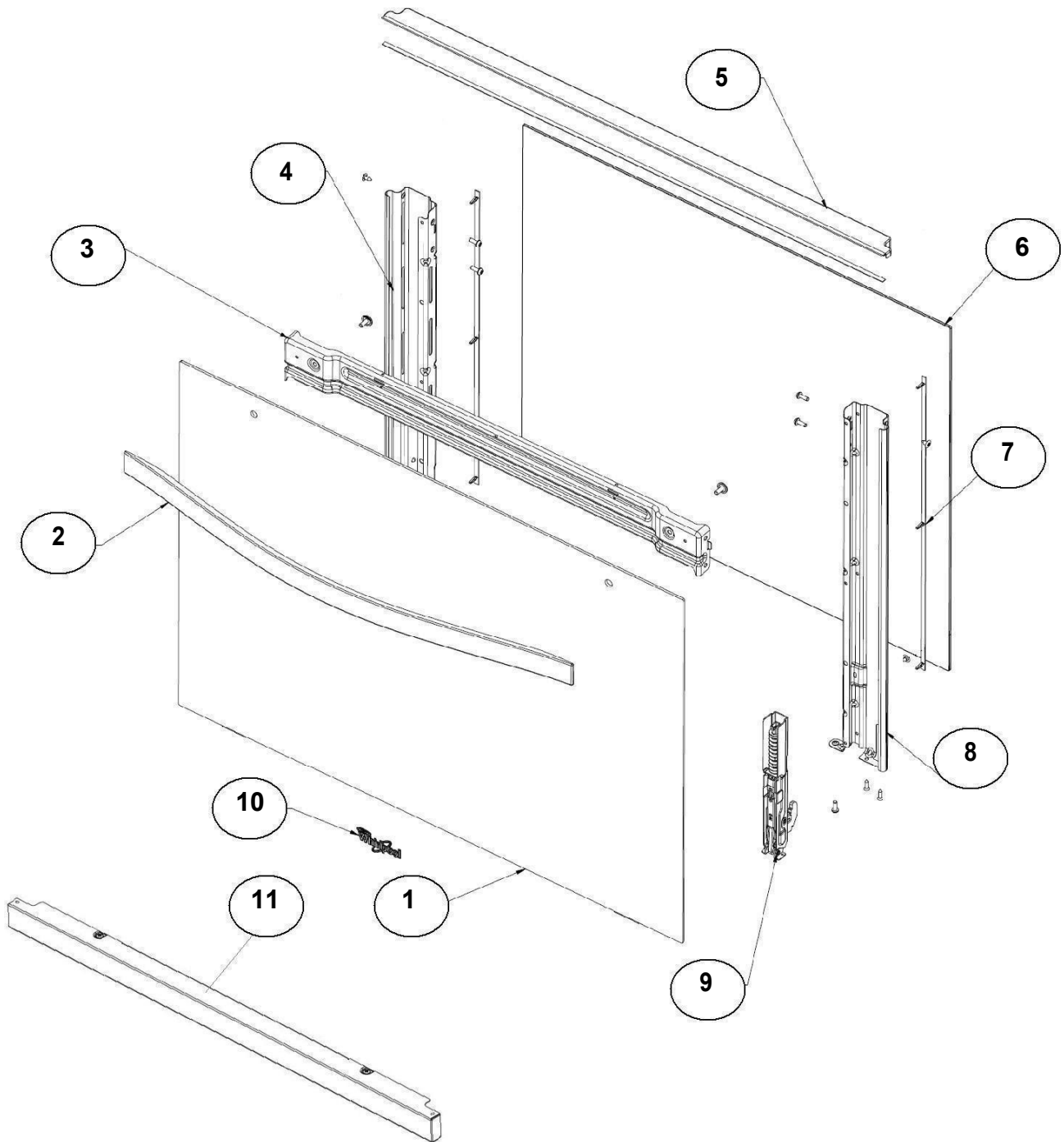
No. Ilus.	DESCRIPCIÓN	Cant.	No. de Parte
1	MANIFOLD TUBE	1	W10381640
2	VALVE SURF ZAMAK TUB.SUP	2	W10452673
3	VALVE SURF ZAMAK TUB.STD	4	W10452660
4	THERMOSTAT	1	W10718787
5	FRONT TUBING ASM – SUP	1	W10556803
6	FRONT TUBING ASM – STD	2	W10556804
7	REAR TUBING ASM – STD	2	W10556805
8	REAR TUBING ASM – SUP	1	W10556806
9	BRACKET - SURFACE BURNER	6	W10354300
10	NUT BRACKET TUBING	6	W10610297
11	OVEN BURNER	1	W10646982
12	OVEN TUBING - UPPER THERMOSTAT	1	*****
13	TUBING ASSY BOTTOM – OVEN	1	W10647685
14	SADDLE CONNECTION	1	98017516
15	SADDLE CONNECTION	6	W10075697
16	OVEN TUBING CONNECTOR	1	*****
**	MANIFOLD TUBE ASSY	**	W10444635
**	KIT CONV NG	**	W10535674
**	KIT CONV LP	**	W10535673





ESTUFA WE6255S00

No.	Ilus.	DESCRIPCIÓN	Cant.	No. de Parte
1		MAIN HARNESS F & F	1	W10381597
2		OVEN LIGHT SWITCH - SH GRY	1	W10568374
3		IGNITION SWITCH SH GRAY	1	W10568375
4		SPARK MODULE 6 POS.	1	W10455035
5		OVEN BULB	1	W10452019
6		SOCKET - OVEN LIGHT	1	W10554269
		TOP ELECTRODE 740	1	W10391624
7		TOP ELECTRODE 650	2	W10391625
		TOP ELECTRODE 500	1	W10381604
		TOP ELECTRODE 500	2	W10381604
8		CLIP IGNITOR -TOP BURNER	6	W10654842





ESTUFA WE6255S00

Color: Acero Inoxidable **Capacidad:** 30"

No. Ilus.	DESCRIPCIÓN	Cant.	No. de Parte
1	FS MASK & OUTER GLASS ASM S.S.	1	W10765862
2	OVEN DOOR HANDLE	1	W10397442
3	OVEN DOOR CROSS SUPPORT	1	W10387343
4	OVEN DOOR PILLAR LEFT	1	W10460273
5	UPPER TRIM - OVEN DOOR	1	W10544145
6	INNER GLASS - OVEN DOOR	1	W10372163
7	INNER GLASS SEAL	2	W10292266
8	OVEN DOOR PILLAR RIGHT	1	W10460272
9	OVEN DOOR HINGE	2	W10420751
10	BADGE-WHIRLPOOL CENTENNIAL	1	W10481433
11	KICK PANEL ASM	1	W10500822
**	ENSAMBLE PUERTA DE HORNO	**	W10757911

KIT DE CONVERSION GAS NATURAL:	W10535674	
Componentes a solicitar:	W10132112 (4)	ORIFICE STD BURNER
	W10118331 (2)	ORIFICE SUPER BURNER
	W10539375 (1)	ORIFICE OVEN BURNER
	W10121465 (1)	BY-PASS THERMOSTAT
	W10452674 (2)	VALVE FOR SUPER BURNER