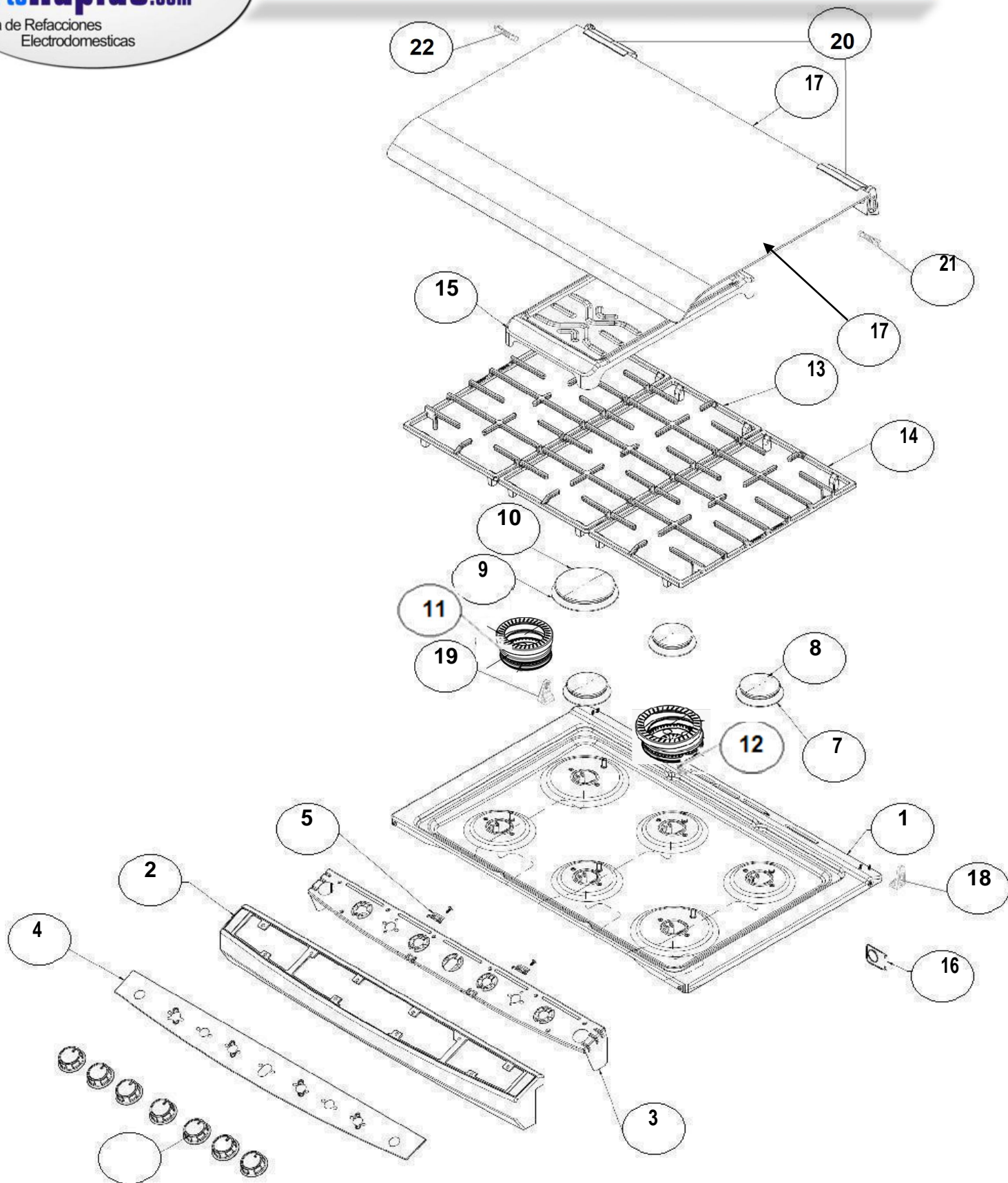


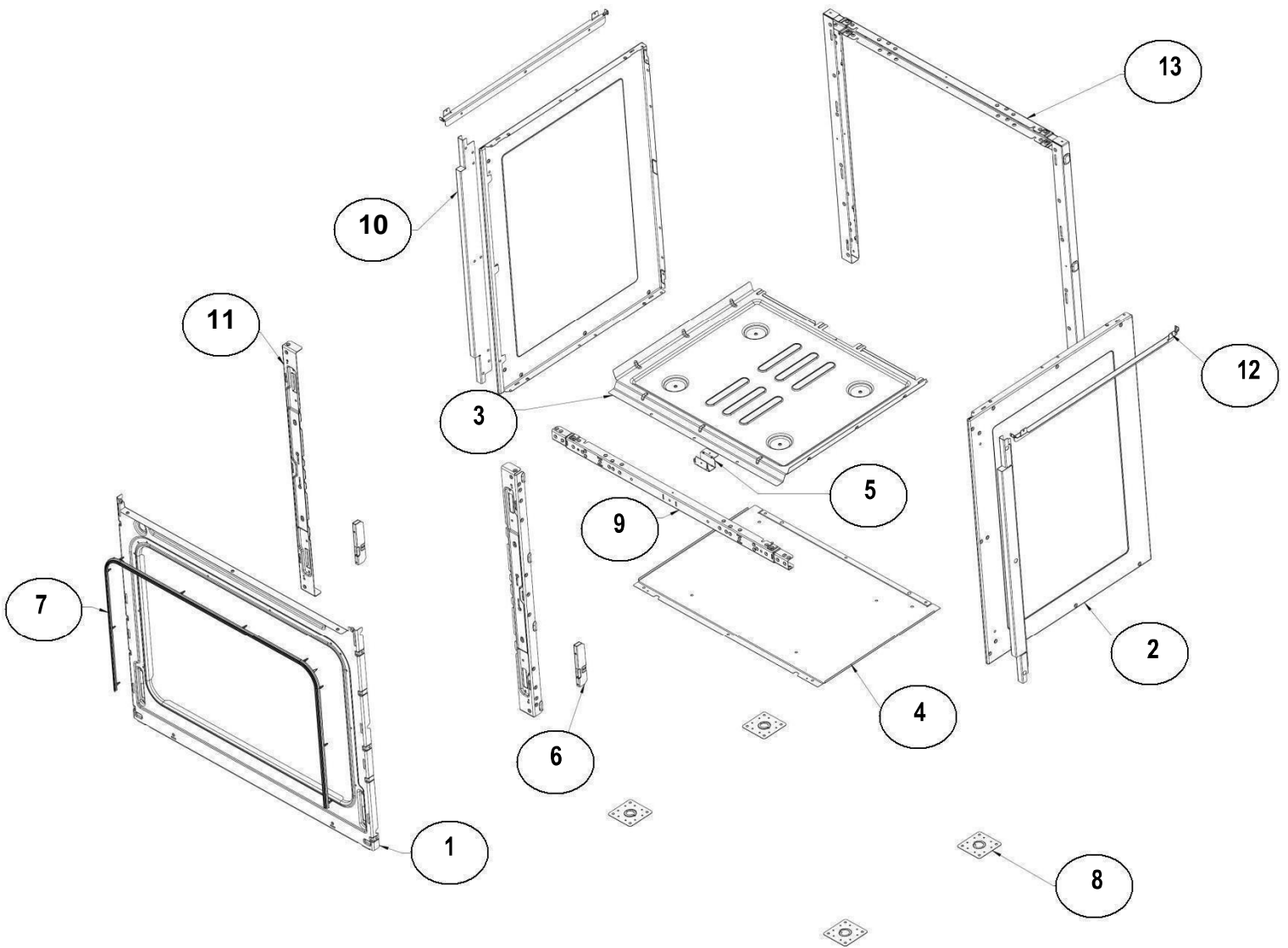
# ESTUFA WE6259S00



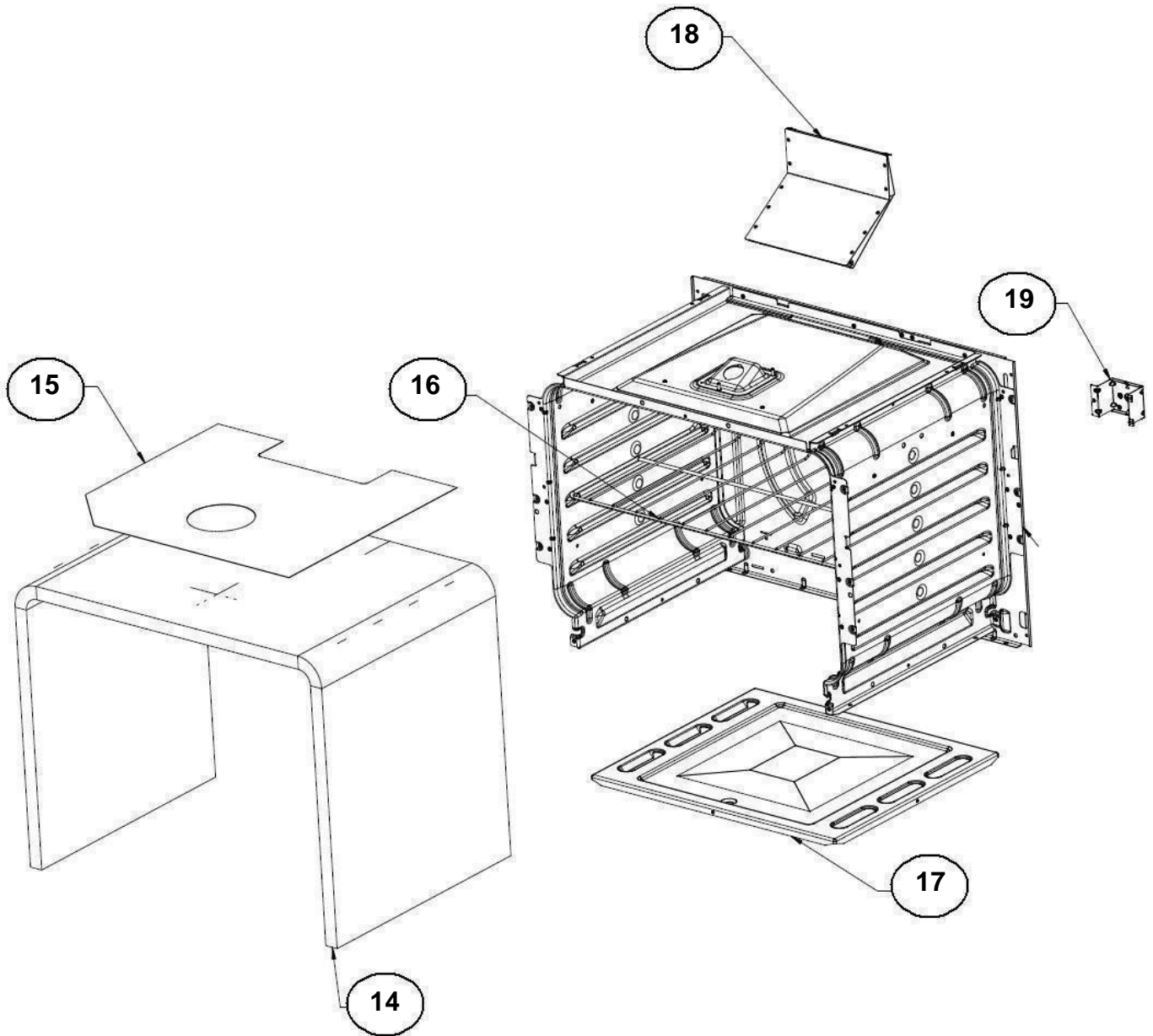
# ESTUFA WE6259S00

	DESCRIPCIÓN	Cant.	No. de Parte
1	COOKTOP	1	W10703630
2	PANEL BMC & COVER	1	W10501980
3	MANIFOLD PIPE SUPPORT-BI	1	W10429743
4	APLIQUE MANIFOLD PANEL FIRE THERMOSTAT	1	W10725525
5	FRONT CLIP COOKTOP BI	2	W10503776
6	SINGLE KNOB GRAY	7	W10715373
7	STD BURNER	3	W10354371
8	STD CAP BURNER	3	W10190267
9	SUPER BURNER	1	W10356319
10	SUPER BURNER CAP	1	W10190271
11	Base Quemador Xpert Estandar	1	W10743941
	Tapa Quemador Xpert Estandar	1	W10672381
12	Base Quemador Xpert Super	1	W10860540
	Tapa Quemador Xpert Super	1	W10672379
13	GRATE CENTRAL SLIM	1	W10718553
14	GRATE LATERAL SLIM	2	W10718552
15	GRIDDLE STAMPED	1	W10387433
16	BRACKET MANIFOLD TUBE	1	W10381587
17	GLASS LID ASSY	1	W10615607
18	BRACKET - RS, GLASS LID	1	W10546251
19	BRACKET - LS, GLASS LID	1	W10546253
20	TRIM - GLASS LID, SHORT	2	W10477615
21	R.H. HINGE GLASS LID	1	W10206666
22	L.H. HINGE GLASS LID	1	W10206667
**	BUMPER GLASS LID	2	W10603704
	TORNILLO CUBIERTA QUEMADOR	*	W10146346

# ESTUFA WE6259S00



# ESTUFA WE6259S00

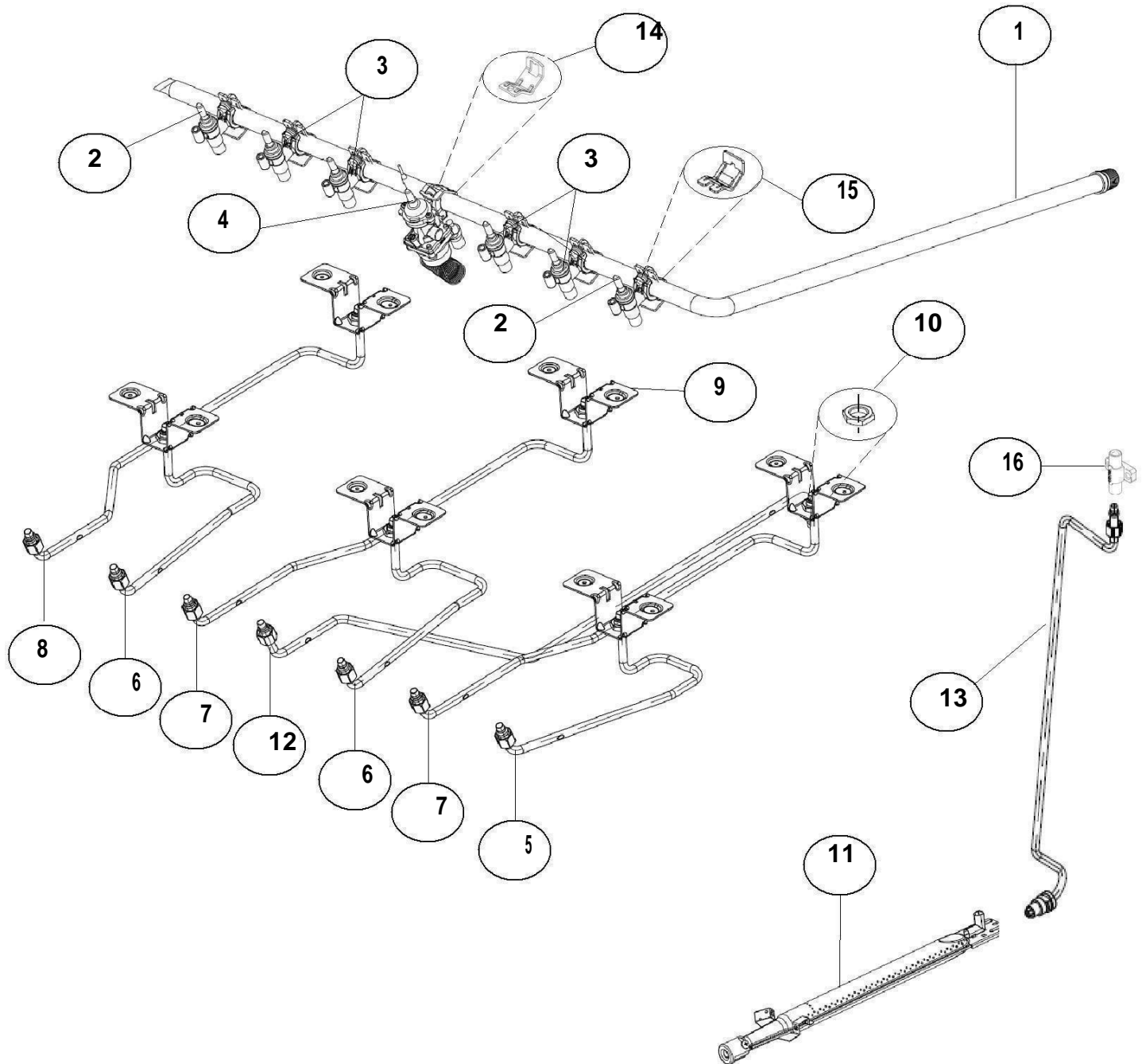




# ESTUFA WE6259S00

	<u>DESCRIPCIÓN</u>	<u>Cant.</u>	<u>No. de Parte</u>
1	FRONT FAME 30"	1	W10448073
2	SIDE PANEL BI-BLACK	2	W10364563
3	OVEN BURNER DEFLECTOR	1	W10327231
4	BASE BAFFLE	1	W10607808
5	FRONT BRACKET - OVEN BURNER	1	W10387513
6	COUNTER SUPPORT	2	W10327222
7	OVEN DOOR SEAL 30"	1	W10759584
8	CORNER PLATE	4	W10364505
9	UPPER FRONT CROSS	1	W10327223
10	SIDE TRIM BI BLACK	2	W10539013
11	FRONT VERTICAL PILLAR BI	2	W10327220
12	TOP SUPPORT-BUILT IN	2	W10429735
13	REAR FRAME ASM BI	1	W10590945
14	OVEN INSULATION WRAPPER	1	W10364807
15	ALUMINUM FOIL – ULTRA	*	*****
16	KIT OVEN RACK	1	W10744072
17	OVEN BOTTOM	1	W10448075
18	FLUE BOX ASSY	1	W10389355
19	BRACKET REAR	1	W10381594

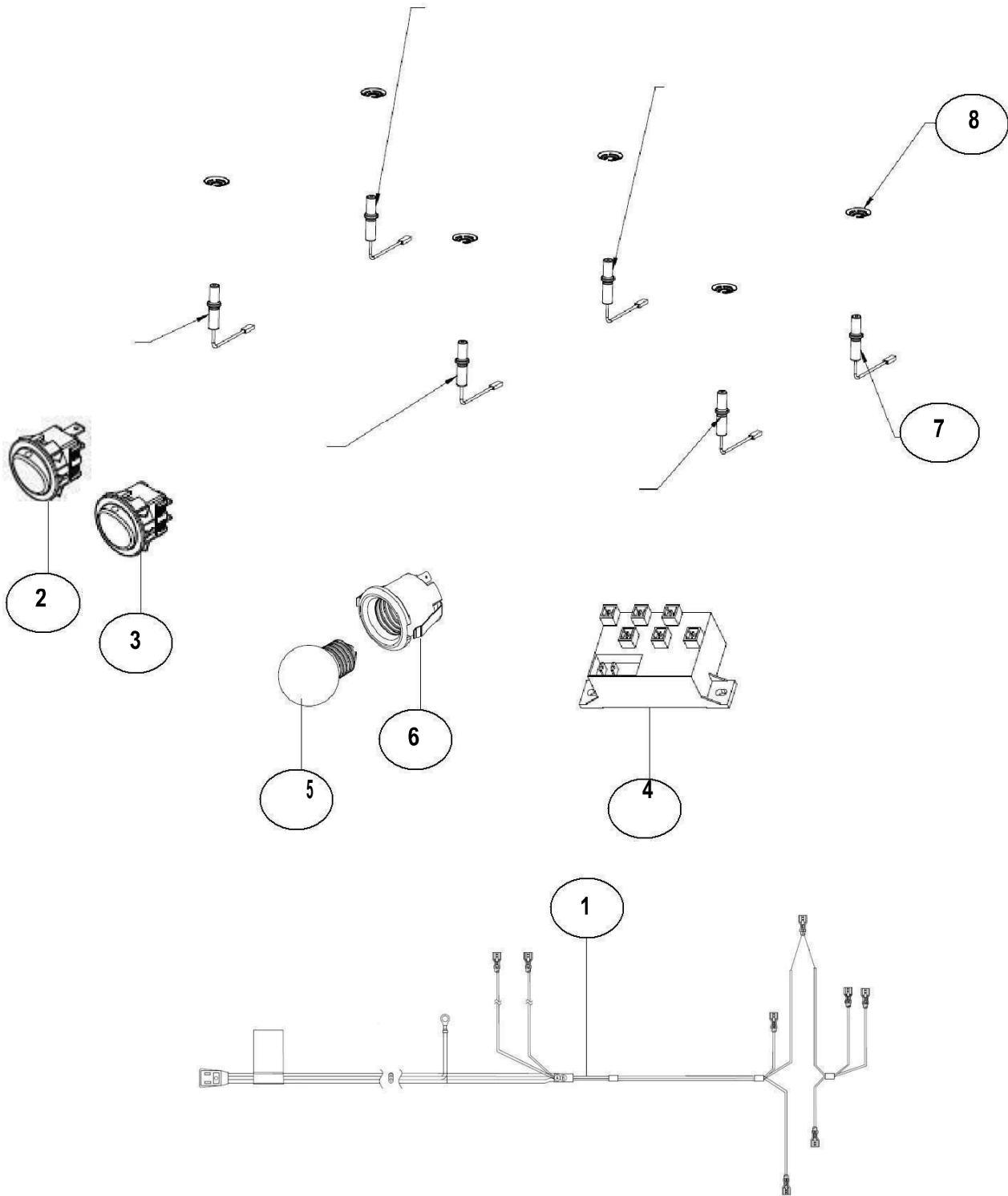
# ESTUFA WE6259S00



# ESTUFA WE6259S00

	DESCRIPCIÓN	Cant.	No. de Parte
1	MANIFOLD TUBE	1	W10381640
2	VALVE SURF ZAMAK TUB.SUP	2	W10452673
3	VALVE SURF ZAMAK TUB.STD	4	W10452660
4	THERMOSTAT	1	W10718787
5	FRONT TUBING ASM – SUP	1	W10704793
6	FRONT TUBING ASM – STD	2	W10556804
7	REAR TUBING ASM – STD	2	W10556805
8	REAR TUBING ASM – SUP	1	W10556806
9	BRACKET - SURFACE BURNER	6	W10354300
10	NUT BRACKET TUBING	6	98017323
11	OVEN BURNER	1	W10646982
12	OVEN TUBING - UPPER THERMOSTAT	1	*****
13	TUBING ASSY BOTTOM – OVEN	1	W10647685
14	SADDLE CONNECTION	1	98017516
15	SADDLE CONNECTION	6	W10075697
16	OVEN TUBING CONNECTOR	1	*****
**	MANIFOLD TUBE ASSY	**	W10444635
**	KIT CONV NG	**	W10784793
**	KIT CONV LP	**	W10784794

# ESTUFA WE6259S00





Distribuidor Autorizado

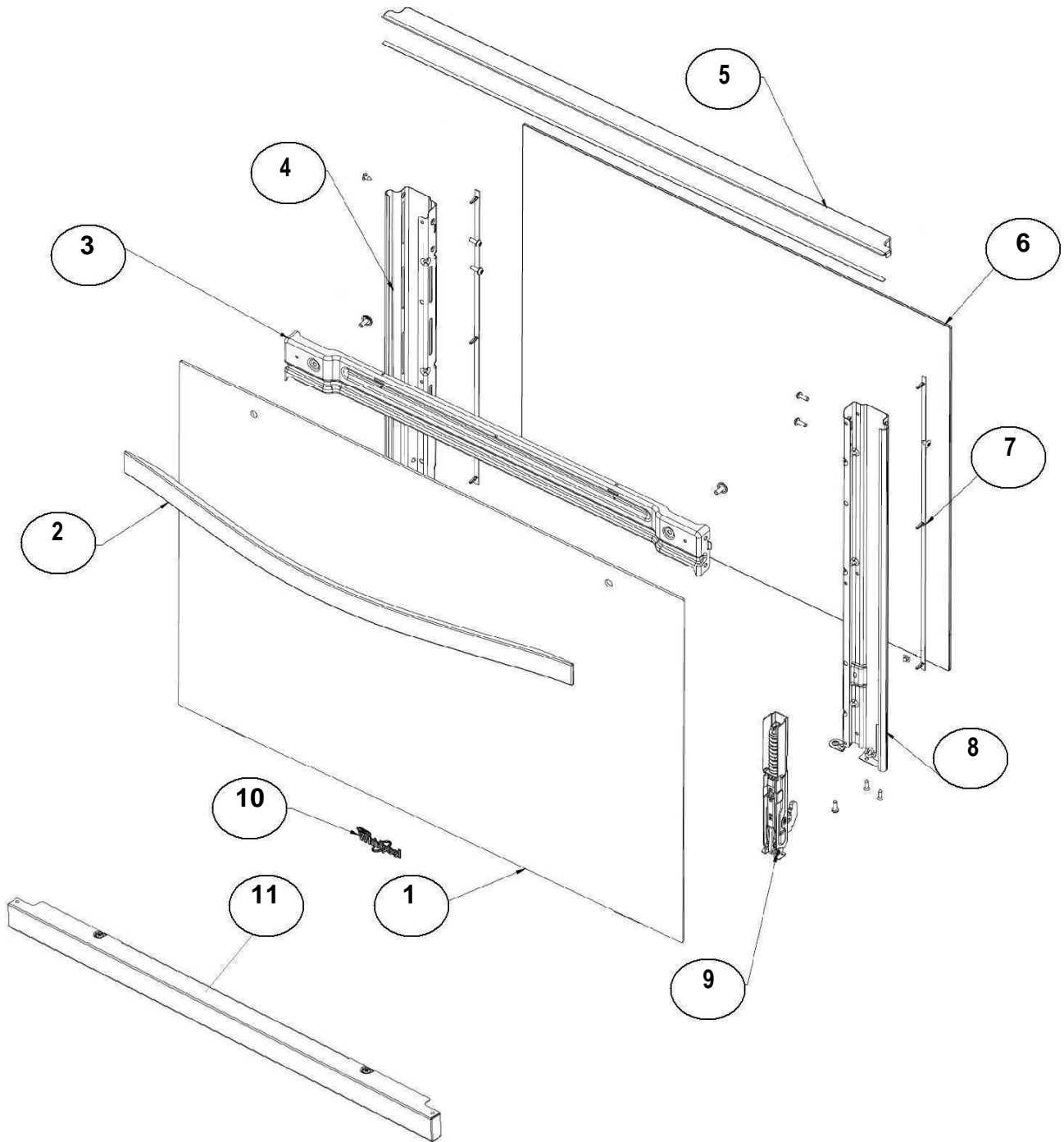
**SurteRápido.com**

Venta de Refacciones  
Electrodomesticas

## ESTUFA WE6259S00

<u>IND.</u>	<u>DESCRIPCIÓN</u>	<u>Cant.</u>	<u>No. de Parte</u>
1	MAIN HARNESS F & F	1	W10381597
2	OVEN LIGHT SWITCH - SH GRY	1	W10568374
3	IGNITION SWITCH SH GRAY	1	W10568375
4	SPARK MODULE 6 POS.	1	W10455035
5	OVEN BULB	1	W10452019
6	SOCKET - OVEN LIGHT	1	W10554269
	ELECTRODO QUEMADOR	2	W10702359
7	XPRT ESTANDAR & SUPER		
	ELECTRODO QUEMADOR	4	W10391625
	ESTANDAR & SUPER		
8	CLIP IGNITOR -TOP BURNER	6	W10822899

# ESTUFA WE6259S00



Distribuidor Autorizado

**SurteRápido.com**

Venta de Refacciones  
Electrodomesticas

# ESTUFA WE6259S00

.....	DESCRIPCIÓN	Cant.	No. de Parte
1	FS MASK & OUTER GLASS ASM S.S.	1	W10528453
2	OVEN DOOR HANDLE	1	W10397442
3	OVEN DOOR CROSS SUPPORT	1	W10387343
4	OVEN DOOR PILLAR LEFT	1	W10460273
5	UPPER TRIM - OVEN DOOR	1	W10544145
6	INNER GLASS - OVEN DOOR	1	W10372163
7	INNER GLASS SEAL	2	W10292266
8	OVEN DOOR PILLAR RIGHT	1	W10460272
9	OVEN DOOR HINGE	2	W10420751
10	BADGE-WHIRLPOOL CENTENNIAL	1	W10481433
11	KICK PANEL ASM	1	W10766485
**	PUERTA COMPLETA	**	W10493705

KIT DE CONVERSION GAS NATURAL:	W10784793	
Componentes a solicitar:	W10132112 (3)	ORIFICE STD BURNER
	W10118331 (1)	ORIFICE SUPER BURNER
	W10620394(1)	ORIFICE HE STD BURNER
	W10716160 (1)	ORIFICE HE SUP BURNER
	W10539375 (1)	ORIFICE OVEN BURNER
	W10121465 (1)	BY-PASS THERMOSTAT
	W10452674 (2)	VALVE FOR SUPER BURNER / THERMOCONTROL
	W10452673 (4)	VALVE FOR STD. BURNER / VALVE FOR HE SUP BURNER