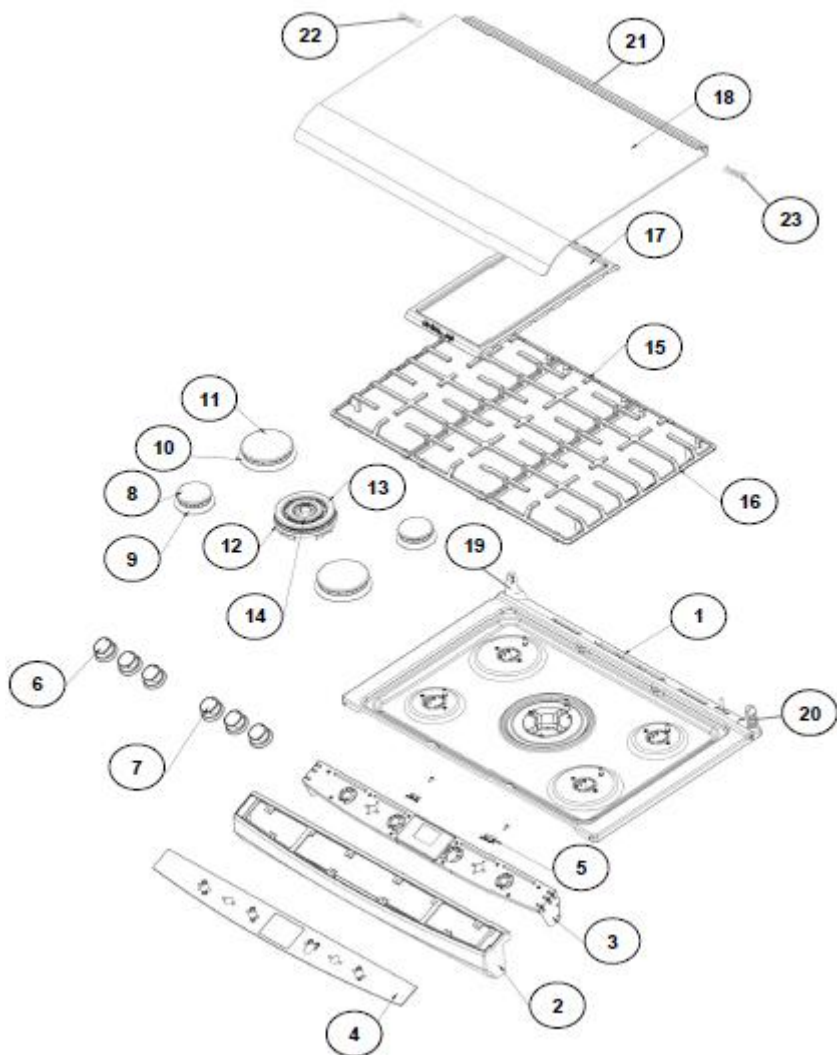


**WE8650S01 CUBIERTA,  
QUEMADORES**

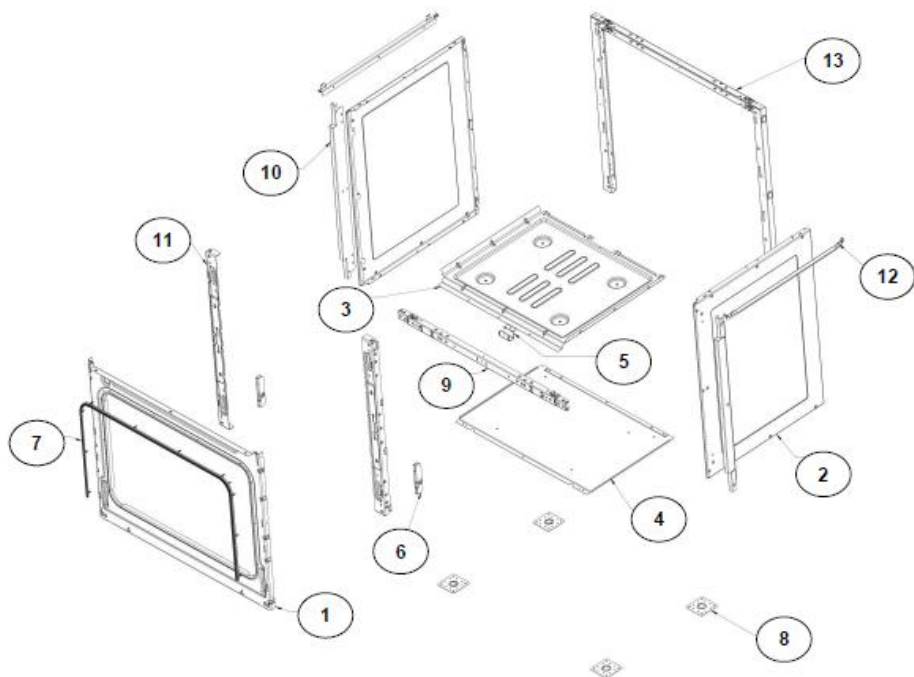




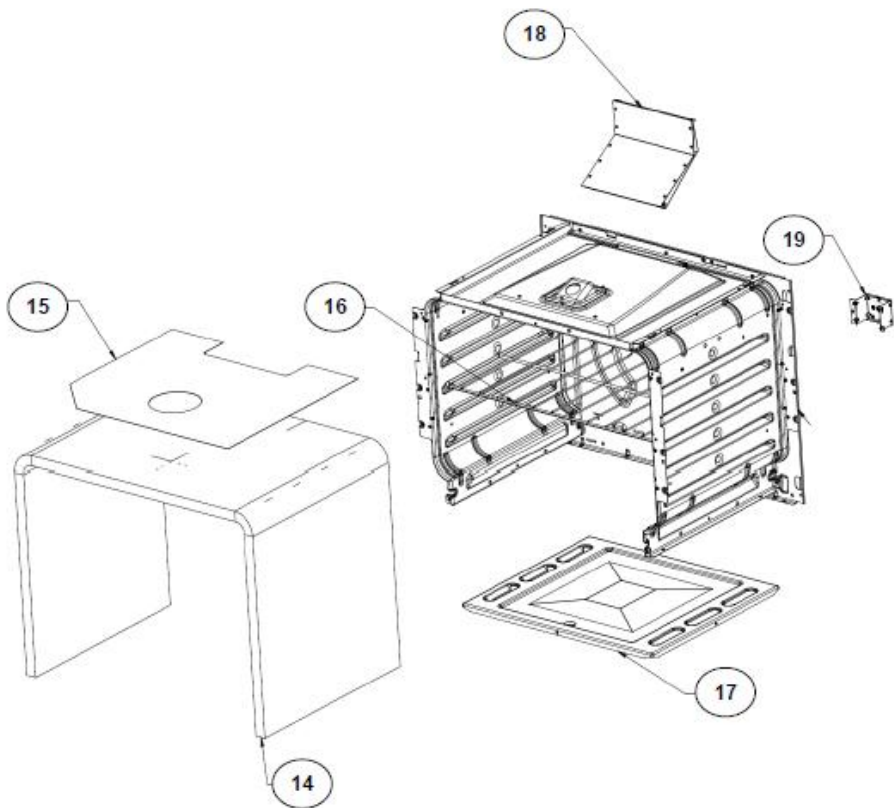
## WE8650S01 CUBIERTA, QUEMADORES

1	W10429772	COOKTOP
2	W10501980	PANEL BMC & COVER
3	W10429777	MANIFOLD PIPE SUPPORT-BI
4	W10485722	APLIQUE MANIFOLD PANEL HIGHWAY
5	W10503776	FRONT CLIP COOKTOP BI
6	W10525020	KNOB ASSY BURNER
7	W10550216	KNOB ASSY THERM
8	W10354371	STD BURNER
9	W10190267	STD BURNER CAP MATT
10	W10356319	SUPER BURNER
11	W10190271	SUPER BURNER CAP MATT
12	W10110911	FCB BURNER
13	W10110910	FCB INTERIOR CAP
14	W10110909	FCB EXTERIOR CAP
15	W10381515	GRATE CENTRAL CAST IRON
16	W10482463	GRATE LATERAL CAST IRON
17	W10466256	GRIDDLE - ALUMINUM TEFLONIZED
18	W10398767	GLASS LID ASSY
19	W10546253	BRACKET - LS, GLASS LID - SILVER
20	W10546251	BRACKET - RS, GLASS LID - SILVER
21	W10477619	TRIM - GLASS LID, LARGE
22	W10387290	HINGE - LS, GLASS LID
23	W10387289	HINGE - RS, GLASS LID
*	W10603704	BUMPER GLASS LID

## WE8650S01 GABINETE



**WE8650S01 GABINETE**

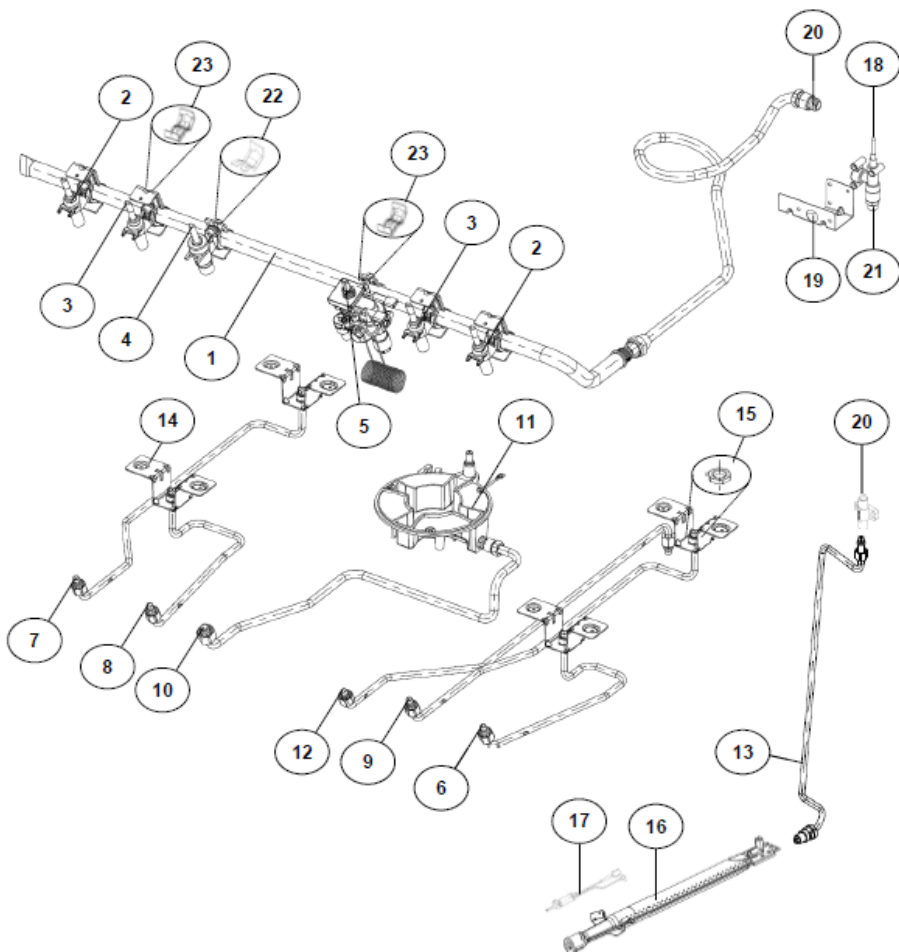




## WE8650S01 GABINETE

1	W10448073	FRONT FAME 30"
2	W10364563	SIDE PANEL BI-BLACK
3	W10327231	OVEN BURNER DEFLECTOR
4	W10354877	BASE BAFFLE
5	W10387513	FRONT BRACKET - OVEN BURNER
6	W10327222	COUNTER SUPPORT
7	W10387044	OVEN DOOR SEAL 30"
8	W10364505	CORNER PLATE
9	W10327223	UPPER FRONT CROSS
10	W10539013	SIDE TRIM BI BLACK
11	W10327220	FRONT VERTICAL PILLAR BI
12	W10429735	TOP SUPPORT-BUILT IN
13	W10494904	REAR FRAME ASM BI
14	W10364807	OVEN INSULATION WRAPPER
15	W10446939	ALUMINUM FOIL - ULTRA
17	W10448075	OVEN BOTTOM
18	W10389355	FLUE BOX ASSY
19	W10381594	BRACKET REAR

**WE8650S01 SISTEMA COMBUSTION**

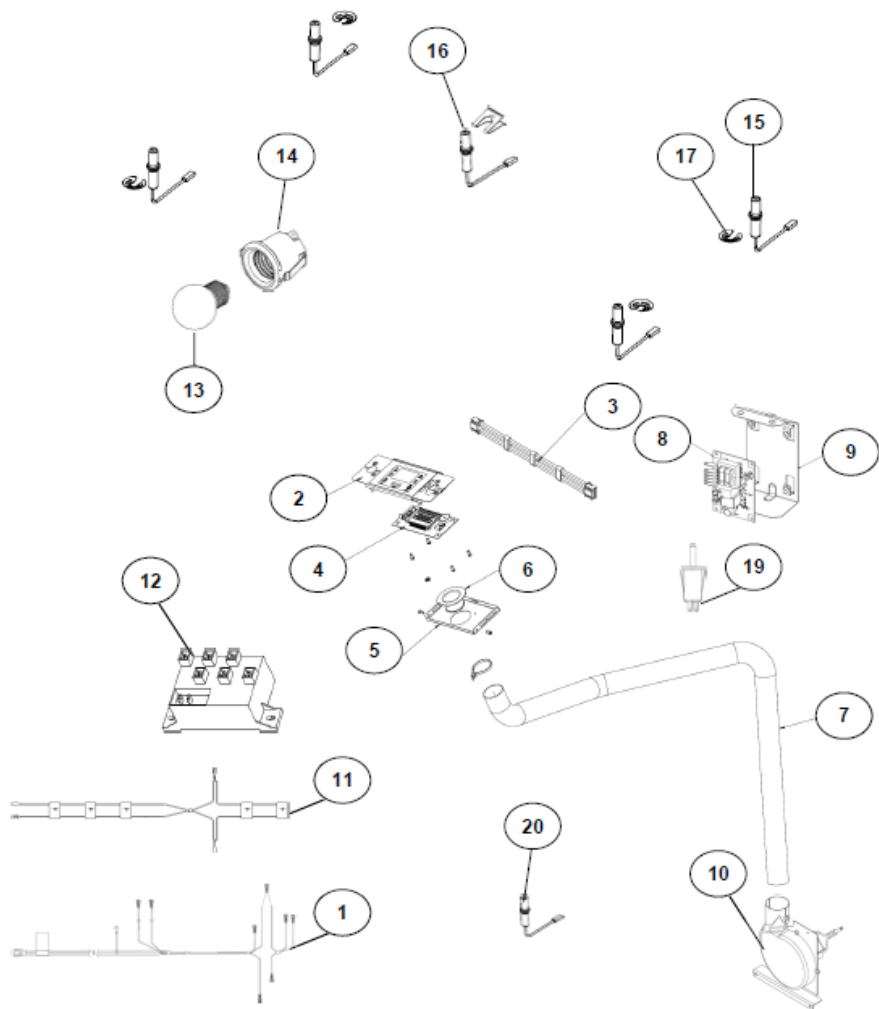




## WE8650S01 SISTEMA COMBUSTION

1	W10422196	MANIFOLD TUBE
2	W10141712	VALVE SURF ZAMAK TUB.STD
3	W10141714	VALVE SURF ZAMAK TUB.SUP
4	W10503595	SURFACE VALVE FCB
5	W10484857	THERMOSTAT WITH SAFETY
6	W10381607	FRONT TUBING ASM - SUP
7	W10387480	REAR TUBING ASM - SUP
8	W10381608	FRONT TUBING ASM - STD
9	W10381610	REAR TUBING ASM - STD
10	W10459197	TUBING - FCB
11	W10110912	FCB BODY
12	W10485463	OVEN TUBING - UPPER THERMOSTAT
13	W10381596	TUBING ASSY BOTTOM - OVEN
14	W10354300	BRACKET - SURFACE BURNER
15	98017323	NUT BRACKET TUBING
16	W10477597	OVEN BURNER
17	W10491992	THERMOCOUPLE
18	W10488109	VALVE - SHUT OFF
19	W10429804	BRACKET - SHUT OFF VALVE
20	W10387503	TUBING - CUT OFF
21	W10527477	FITTING - 3/8 NPT MALE TO 5/8" FLARED
22	W10387468	SADDLE CONNECTION
23	W10421119	SADDLE CONNECTION EXTENDED-ZAMAK
	W10480006	MANIFOLD TUBE ASSY
	W10535692	KIT CONV NG
	W10535691	KIT CONV LP

**WE8650S01 SISTEMA ELECTRICO**



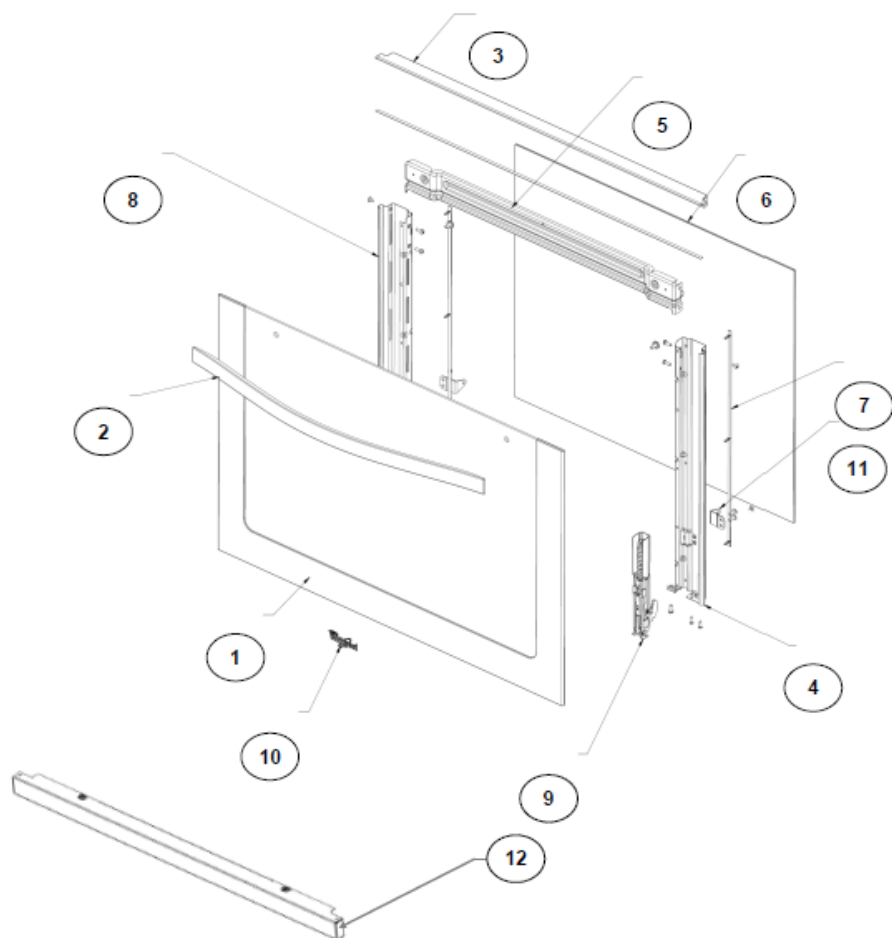




## WE8650S01 SISTEMA ELECTRICO

1	W10568049	MAIN HARNESS HW
2	W10446873	TOD MEMBRANE HW BI
3	W10446872	TOD HARNESS HW
4	W10516849	TOD PLUS HW
5	W10381619	COVER CLOCK
6	W10487396	COVER CLOCK EXTENSION - PLASTIC
7	W10492455	ULTRA FAN DUCT
8	W10391623	TOD SUPPLY SOURCE HW
9	W10381620	SUPPLY SOURCE BRACKET
10	W10391629	FAN BLOWER
11	W10480115	SWITCH HARNESS HW
12	W10455035	SPARK MODULE 6 POS.
13	W10452019	OVEN BULB
14	W10114530	SOCKET - OVEN LIGHT
15	W10391624	TOP ELECTRODE 740MM
	W10391625	TOP ELECTRODE 650MM
	W10381604	TOP ELECTRODE 500MM
	W10381605	TOP ELECTRODE 350MM
16	W10111587	TOP ELECTRODE FCB
17	W10422212	CLIP IGNITOR -TOP BURNER
18	W10111642	FCB TOP ELECTRODE CLIP
19	98005765	SWITCH DOOR
20	W10145060	OVEN ELECTRODE

**WE8650S01 PUERTA HORNO**





## WE8650S01 PUERTA HORNO

1	W10528454	BI MASK & OUTER GLASS ASM S.S
2	W10397442	OVEN DOOR HANDLE
3	W10387343	OVEN DOOR CROSS SUPPORT
4	W10460272	OVEN DOOR PILLAR RIGHT
5	W10527324	UPPER TRIM - OVEN DOOR
6	W10372163	INNER GLASS - OVEN DOOR
7	W10292266	INNER GLASS SEAL
8	W10460273	OVEN DOOR PILLAR LEFT
9	W10420751	OVEN DOOR HINGE
10	W10481433	BADGE-WHIRLPOOL CENTENNIAL
11	W10479996	BRACKET – SLIDE OUT
12	W10446863	KICK PANEL