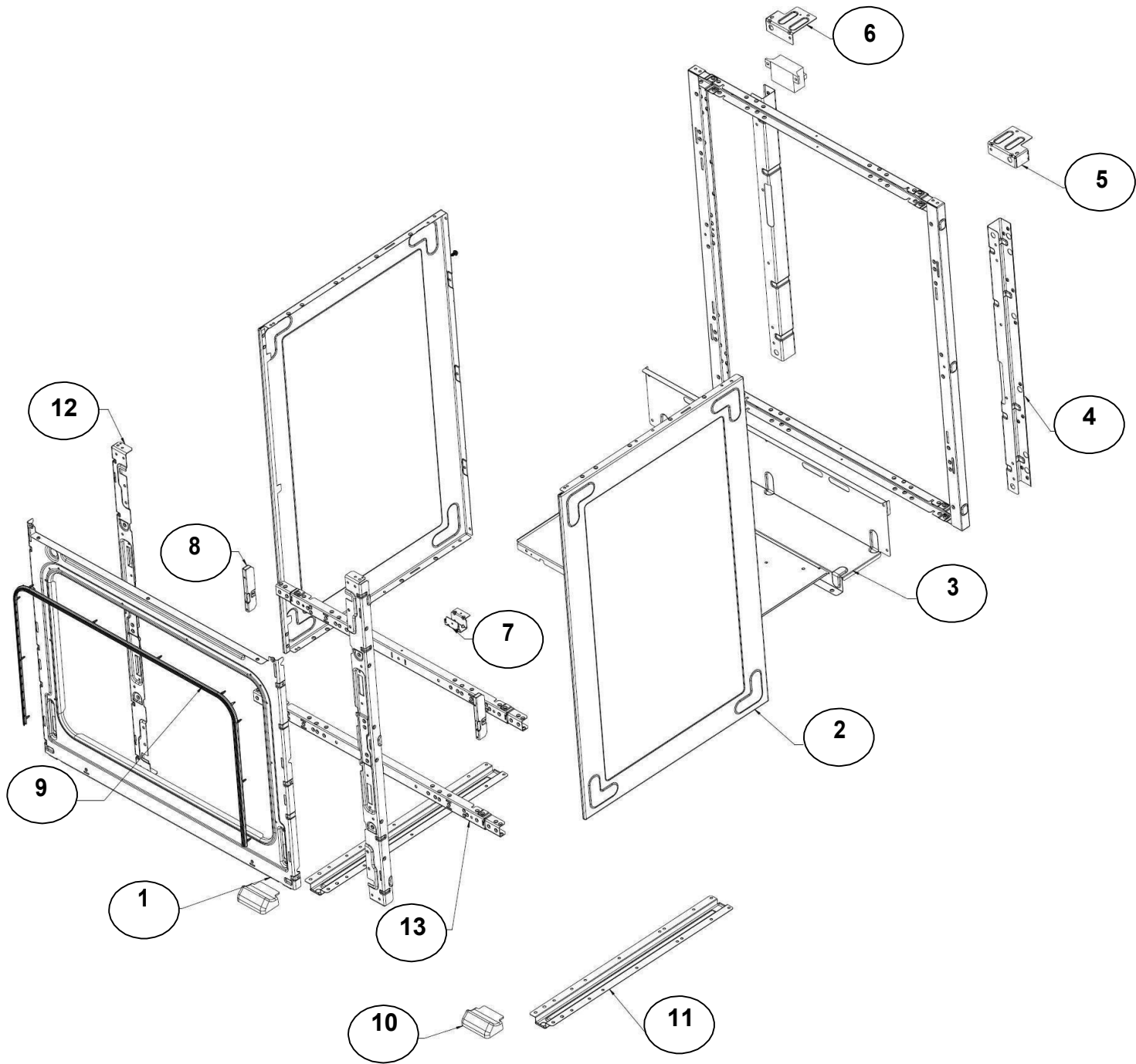
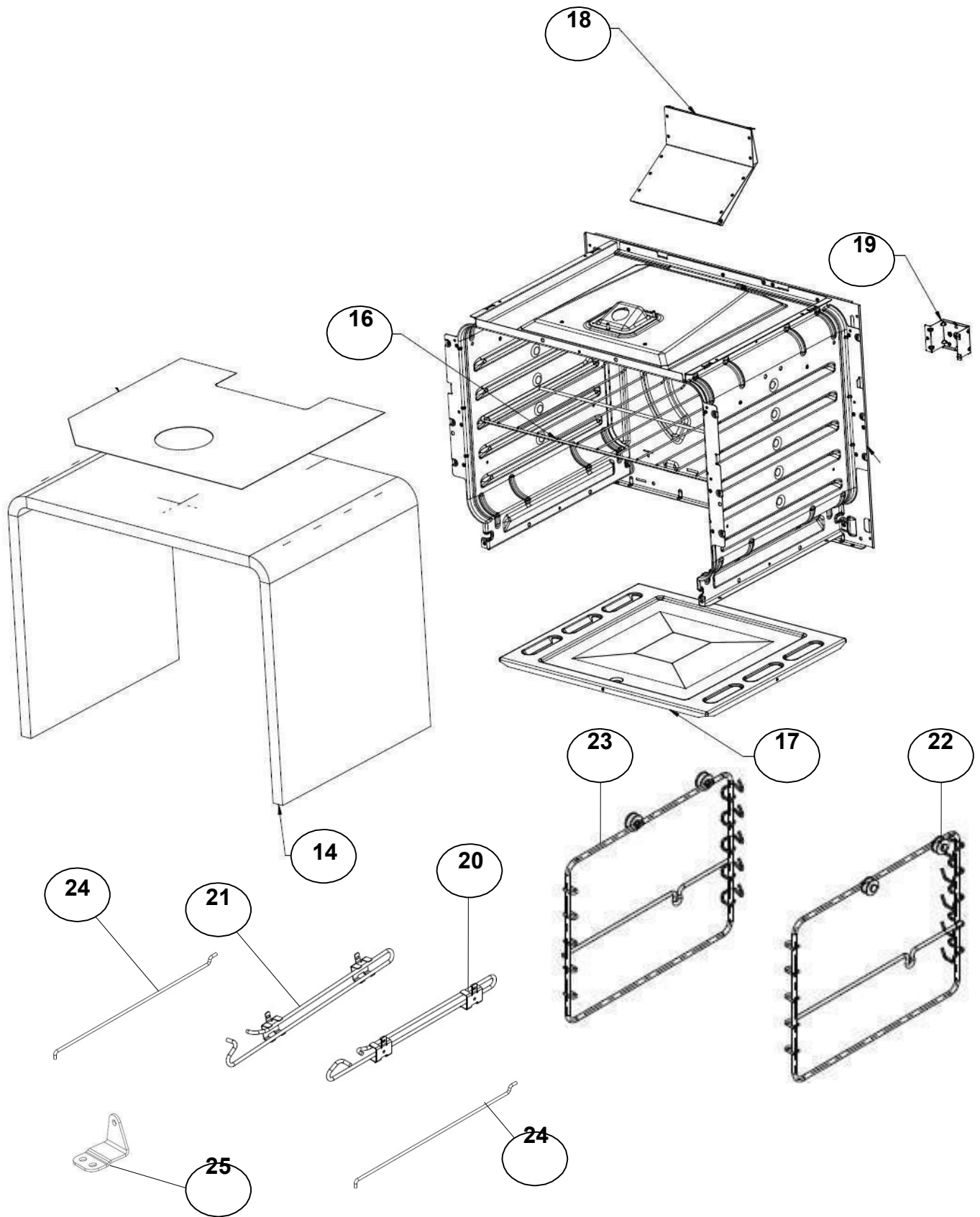
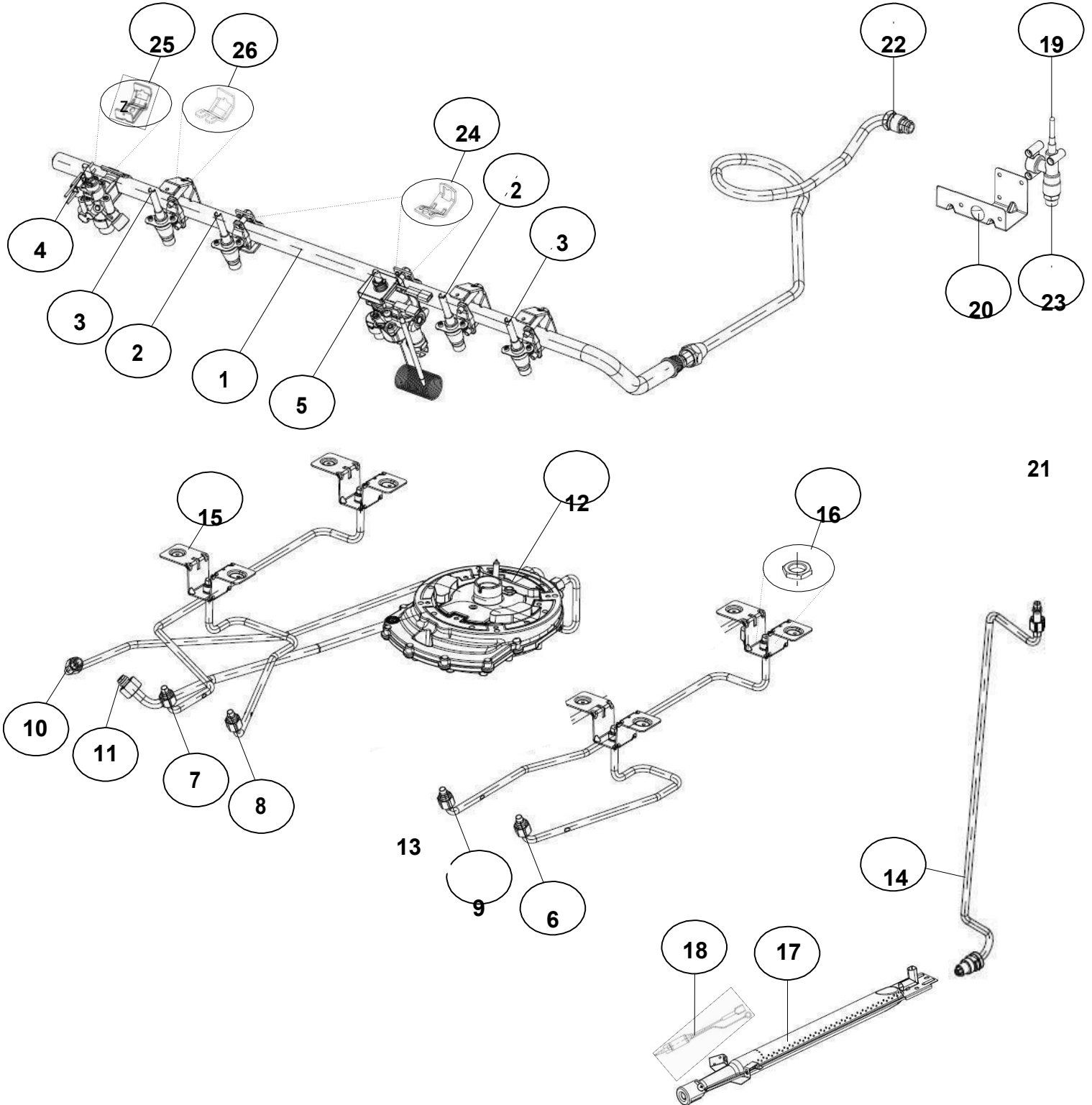


No. Ilus.	DESCRIPCIÓN	Cant.	No. deParte
1	COOKTOP	1	W10429775
2	FRONT PANEL EXTENTION SS	1	W10381581
3	FRONT CLIP COOKTOP	2	W10381674
4	KNOB ASSY BURNER	4	W10491806
5	KNOB ASSY THERM	1	W10461735
6	KNOB ASSY DUAL	1	W10491981
7	STD BURNER	2	W10354371
8	STD BURNER CAP MATT	2	W10190267
9	SUPER BURNER	2	W10356319
10	SUPER BURNER CAPMATT	2	W10190271
11	BASE TORCH BURNER	1	W10487751
12	EXTERNAL SPREADER - TORCH BURNER	1	W10487750
13	SIMMER SPREADER - TORCH BURNER	1	W10487747
14	SIMMER CAP - TORCH BURNER	1	W10487745
15	GRATE - CAST IRON CENTRAL DRAGON	1	W10422205
16	GRATE LATERAL DRAGON - CAST IRON	2	W10422206
17	GRIDDLE CAST IRON - DRAGON	1	W10422230
18	GLASS LID ASSY & SPOTLIGHT	1	W10711102
19	BRACKET-LS, GLASS LID - SILVER	1	W10546253
20	BRACKET-RS, GLASS LID - SILVER	1	W10546251
21	TRIM - GLASS LID, LARGE	1	W10477619
22	HINGE - LS, GLASS LID	1	W10387290
23	HINGE - RS, GLASS LID	1	W10387289
**	BUMPER GLASS LID	2	W10373346

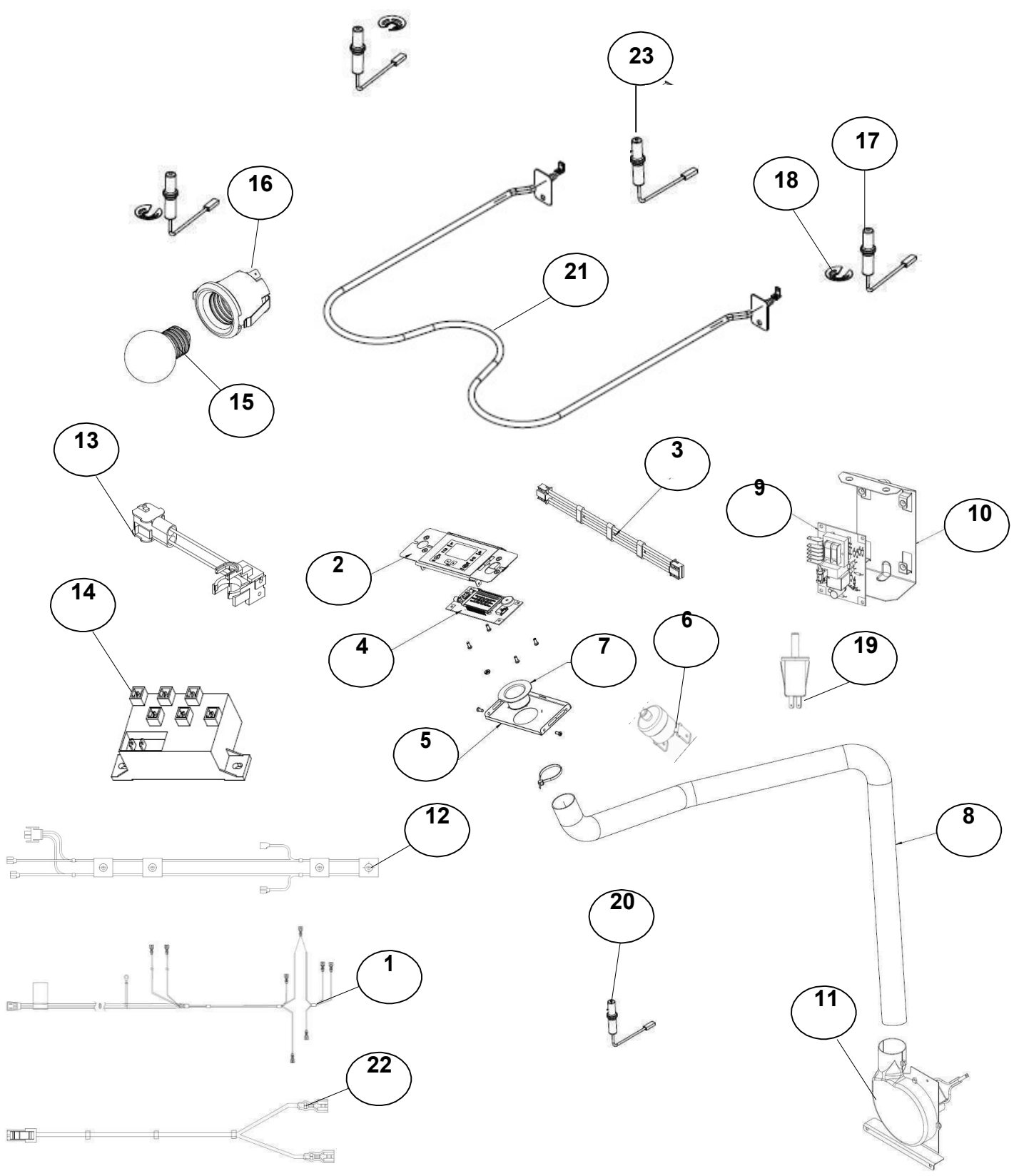




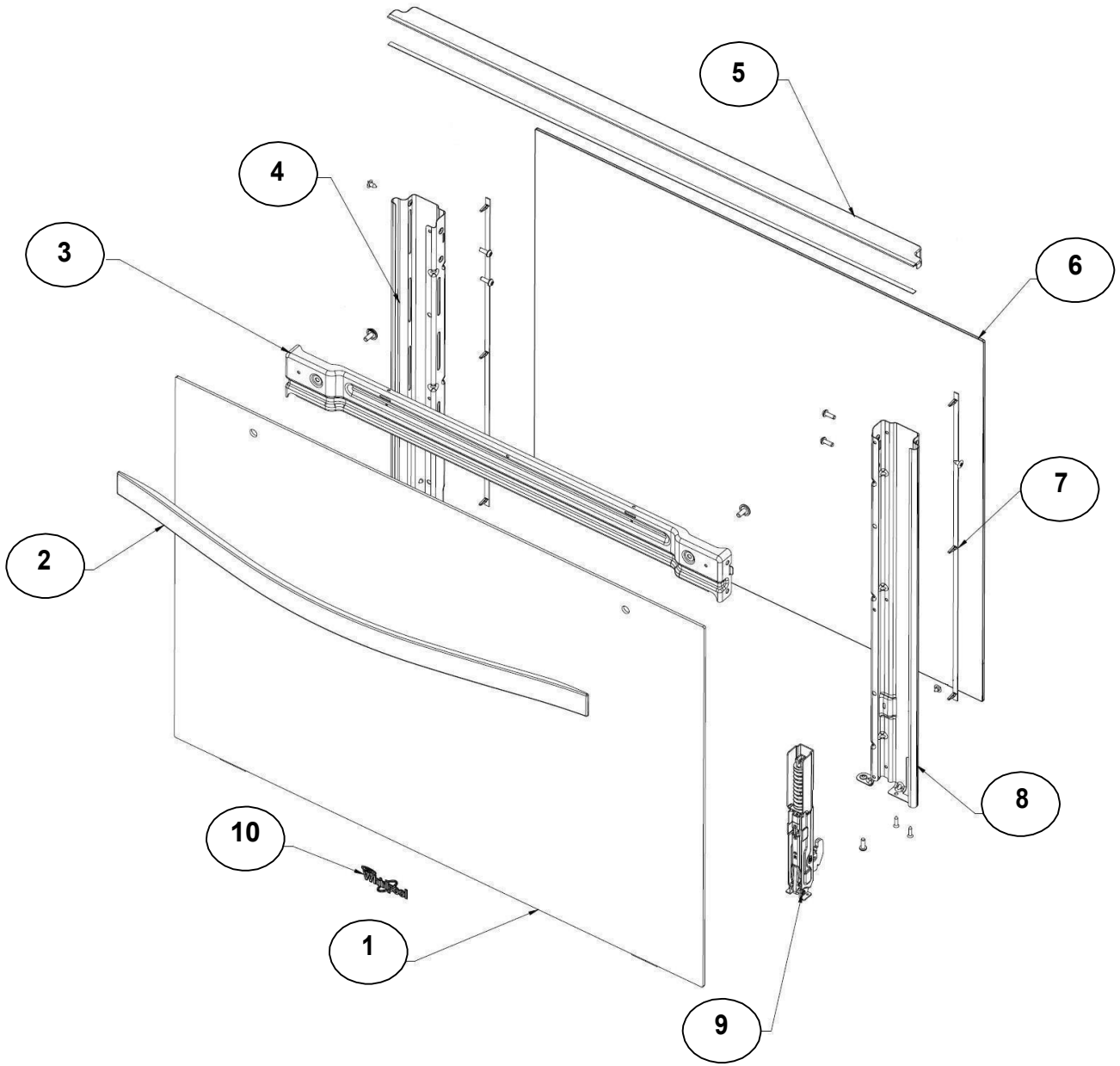
Ilus.	DESCRIPCIÓN	Cant.	No. deParte
1	FRONT FRAME	1	W10801532
2	SIDE PANEL - MIDNIGHTGREY	2	W10354874
3	BROIL BACK COVER	1	W10515063
4	C - BRACKET	2	W10358263
5	CORNER BRACKET RH	1	W10364813
6	CORNER BRACKET LF	1	W10446940
7	FRONT BRACKET OVENBURNER	1	W10475852
8	COUNTER SUPPORT	2	W10327222
9	OVEN DOOR SEAL	1	W10759584
10	BASE CORNER FRONT	2	W10718549
11	BASE RAIL	2	W10446524
12	CROSS SUPPORT - 30"	2	W10327223
13	FRONT VERTICAL PILLAR F/S	2	W10354862
14	OVEN INSULATIONWRAPPER 30"	1	W10364807
15	ALUMINUM FOIL ULTRA	*	*****
16	OVEN RACK	2	W10743506
17	OVEN BOTTOM 30"	1	W10448075
18	FLUE BOX ASM	1	W10742507
19	BRACKET OVEN BURNER	1	W10381594
20	GUIDE - RACK SUPPORT (RIGHT)	1	W10744031
21	GUIDE - RACK SUPPORT (LEFT)	1	W10743523
22	RACK SUPPORT ASSY. (RIGHT)	1	W10743540
23	RACK SUPPORT ASSY. (LEFT)	1	W10743533
24	PUSH ROD	2	W10743557
25	BRACKETRETAINER	2	W10479996



No. Ilus.	DESCRIPCIÓN	Cant.	No. de Parte
1	MANIFOLD TUBE	1	W10422196
2	VALVE SURF ZAMAKTUB.STD	2	W10141712
3	VALVE SURF ZAMAKTUB.SUP	2	W10141714
4	DUAL VALVE	1	W10381658
5	THERMOSTAT WITH SAFETY	1	W10387499
6	FRONT TUBING ASM - SUP	1	W10556803
7	REAR TUBING ASM - SUP	1	W10557404
8	FRONT TUBING ASM - STD	1	W10557405
9	REAR TUBING ASM - STD	1	W10556805
10	TUBING INTERNAL SIMMER - TORCH BURNER	1	W10422227
11	TUBINGEXTERNALRING-TORCHBURNER	1	W10422192
12	HOLDER ASSY - TORCHBURNER	1	W10535661
13	OVEN TUBING - UPPER THERMOSTAT	*	*****
14	TUBING ASSY - OVEN	1	W10647687
15	BRACKET - SURFACEBURNER	4	W10354300
16	NUT BRACKET TUBING	4	98017323
17	OVEN BURNER	1	W10519079
18	THERMOCOUPLE	1	W10491992
19	VALVE - SHUT OFF	1	W10488109
20	BRACKET - SHUT OFF VALVE	1	W10553975
21	OVEN TUBINGCONNECTOR	*	*****
22	TUBING - CUT OFF	1	W10387503
23	FITTING-3/8NPTMALETO5/8"FLARED	1	W10527477
24	SADDLE CONNECTION	2	98017516
25	SADDLE CONNECTION - DUAL VALVE	1	W10511639
26	SADDLE CONNECTIONEXTENDED-ALUMINUM	3	W10387468
**	MANIFOLD TUBE ASSY	**	W10422197
**	KIT CONV NG	**	W10513486
**	KIT CONV LP	**	W10513485



No. Ilus.	DESCRIPCIÓN	Cant.	No.deParte
1	MAIN HARNESS HW	1	W10675405
2	TOD MEMBRANE DR & ILLUM FS	1	W10446874
3	TOD HARNESS DRAGON	1	W10675406
4	TOD PLUS DR	1	W10381664
5	COVER CLOCK	1	W10381619
6	THERMO SWITCH	1	W10244824
7	COVER CLOCK EXTENSION - PLASTIC	1	W10487396
8	ULTRA FAN DUCT	1	W10492455
9	TOD SUPPLY SOURCE HW	1	W10387418
10	SUPPLY SOURCE BRACKET	1	W10676136
11	FAN BLOWER	1	W10391629
12	SWITCH HARNESS DR	1	W10381661
13	SWITCH HARNESS - DUALVALVE	1	W10511641
14	SPARK MODULE 6 POS.	1	W10455035
15	OVEN BULB	1	W10452019
16	SOCKET - OVEN LIGHT	1	W10554269
	TOP ELECTRODE 740	1	W10391624
17	TOP ELECTRODE 650	1	W10391625
	TOP ELECTRODE 500	1	W10381604
	TOP ELECTRODE 350	1	W10381605
18	CLIP IGNITOR -TOP BURNER	4	W10654842
19	SWITCH DOOR	1	98005765
20	OVEN ELECTRODE	1	W10145060
21	BROIL ELEMENT 1500W	1	W10385329
22	THERMO SW JUMPER	1	W10381618
23	IGNITION ELECTRODE-TORCH BURNER	1	W10515759



No. Ilus.	DESCRIPCIÓN	Cant.	No. de Parte
1	FSMASK & OUTER GLASS ASM S.S.	1	W10528451
2	OVEN DOOR HANDLE	1	W10397442
3	OVEN DOOR CROSS SUPPORT	1	W10387343
4	OVEN DOOR PILLARRIGHT	1	W10460272
5	UPPER TRIM - OVEN DOOR	1	W10544145
6	INNER GLASS - OVEN DOOR	1	W10372163
7	INNER GLASS SEAL	2	W10292266
8	OVEN DOOR PILLARLEFT	1	W10460273
9	OVEN DOOR HINGE	2	W10420753
10	BADGE-WHIRLPOOL CENTENNIAL	1	W10481433

KIT DE CONVERSION GAS NATURAL:	W10513486	
Componentes a solicitar:	W10132112 (2)	ORIFICE STD BURNER
	W10118331 (2)	ORIFICE SUPER BURNER
	W10549801 (1)	ORIFICE TORCH SIMMER
	W10549840 (1)	ORIFICE TORCH SPREADER
	W10539375 (1)	ORIFICE OVEN BURNER
	W10121465 (1)	BY-PASS THERMOSTAT