

Distribuidor Autorizado

**SurteRápido.com**

Venta de Refacciones  
Electrodomesticas

# ESTUFA WE9620S02

Whirlpool

Color

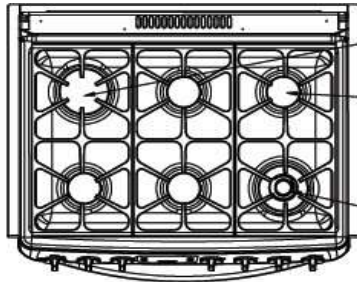
Acero inoxidable

WE9620S02

Capacidad

30"

## Especificaciones



ALUMINUM SUPER UPPER BURNER (POLISHED)  
WITH CAST IRON CAP (1)  
SUPER QUEMADOR SUPERIOR DE ALUMINIO (PULIDO BRILLANTE)  
CON TAPA DE FUNDICION (1)

ALUMINUM UPPER BURNER STD (POLISHED) WITH CAST IRON CAP (4)  
QUEMADOR SUPERIOR ESTANDAR DE ALUMINIO (PULIDO BRILLANTE) CON TAPA DE FUNDICION (4)

TCB BURNER  
WITH CAPS CAST IRON (1)  
QUEMADOR TCB  
CON TAPAS DE FUNDICION (1)

ALUMINUM GRIDDLE TEFLONIZED W/GRIDDLE  
COMAL ALUMINIO TEFLONIZADO CON PARRILLA

CURVED GLASS LID - SMOKE  
CAPELO CURVO - AHUMADO

(3) UPPER GRATES (CAST IRON SPIDER TYPE)  
(3) PARRILLA SUPERIOR (TIPO SPIDER FUNDICION)

MANIFOLD PANEL - STAINLESS STEEL W/HORIZONTAL BRUSHED  
FRENTE DE PERILLAS - ACERO INOXIDABLE C/CEPILLADO HORIZONTAL

CUT OFF VALVE  
VALVULA DE CORTE

TRIM GLASS LID - UNIVERSAL SILVER  
TRIM CAPELO - UNIVERSAL SILVER

BRACKET GLASS LID - APOLLO GRAY  
BRACKET CAPELO - APOLLO GRAY

UNIVERSAL SILVER KNOB TWO PIECES  
WITH STAINLESS STEEL LOOK BODY COVER  
PERILLA DE DOS PIEZAS UNIVERSAL SILVER  
CON CUBIERTA DEL CUERPO C/ APARIENCIA DE ACERO INOXIDABLE

OVEN LIGHT DOOR SWITCH  
INTERRUPTOR EN PUERTA  
PARA LUZ DE HORNO

BROIL CONTROL W/OVEN LIGHT WITH BLUE LEDS W/OVERLAY  
CONTROL BROILER C/LUZ DE HORNO CON LEDS AZULES C/CUBIERTA RELOJ

ELEMENT BROIL  
RESISTENCIA ELECTRICA

SECURITY OVEN THERMOSTAT  
TERMOSTATO DE SEGURIDAD

HANDLE TOWEL BAR TYPE - STAINLESS STEEL APPEARANCE  
JALADERA TIPO TOALLERO - APARIENCIA ACERO INOXIDABLE

MOUNTING ANGLE - S. STEEL  
W/VERTICAL BRUSHED  
ANGULO DE MONTAJE - AC. INOX.  
C/CEPILLADO VERTICAL

SEALED COOKTOP W/SMALL UP SWEPT  
(STAINLESS STEEL W/HORIZONTAL BRUSHED)  
CUBIERTA SELLADA CON UP SWEPT  
(ACERO INOXIDABLE C/CEPILLADO HORIZONTAL)

OVEN DOOR FLAT W/LARGE WINDOW  
W/ STAINLESS STEEL APPEARANCE  
(W/HORIZONTAL BRUSH) WINGS & MIRROR GLASS  
PUERTA HORNO PLANA C/VENTANA LARGA  
C/ ALITAS APARIENCIA ACERO INOXIDABLE  
C/CEPILLADO HORIZONTAL Y VIDRIO ESPEJO

WHIRLPOOL NAME PLATE  
PLACA MARCA WHIRLPOOL

SLIDE OUT OVEN RACK  
PARRILLAS DE HORNO DESLIZABLES

SIDE PANELS/GALVANIZED  
LATERALES/GALVANIZADOS

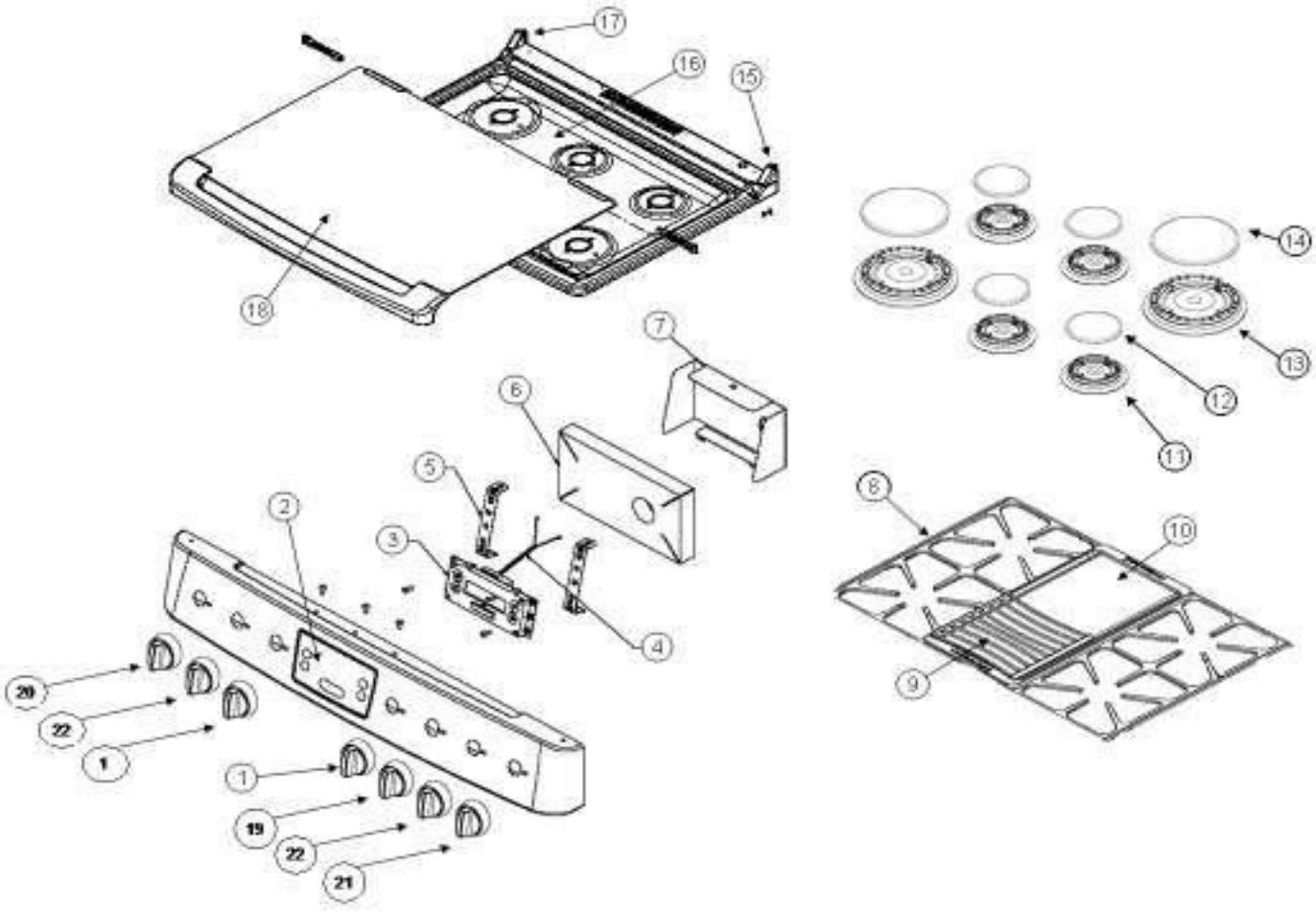
LOWER PANEL S. STEEL W/HORIZONTAL BRUSHED  
W/END CAPS UNIVERSAL SILVER  
PANEL INFERIOR AC. INOX C/CEPILLADO HORIZONTAL  
CON END CAPS UNIVERSAL SILVER

SIDE TRIM - S. STEEL W/VERTICAL BRUSHED  
ESPACIADOR LATERAL - AC. INOX  
C/CEPILLADO VERTICAL

# ESTUFA WE9620S02

|           |                  |                  |
|-----------|------------------|------------------|
| Whirpool  |                  | <b>WE9620S02</b> |
| Color     | Acero inoxidable |                  |
| Capacidad | 30"              |                  |

**Cubierta, Quemadores y Parilla**



**Nota:** La imagen mostrada en este explosionado puede no ser idéntica a la pieza real del aparato, mas sin embargo el número de parte mostrado en el listado corresponde a la pieza real del aparato.



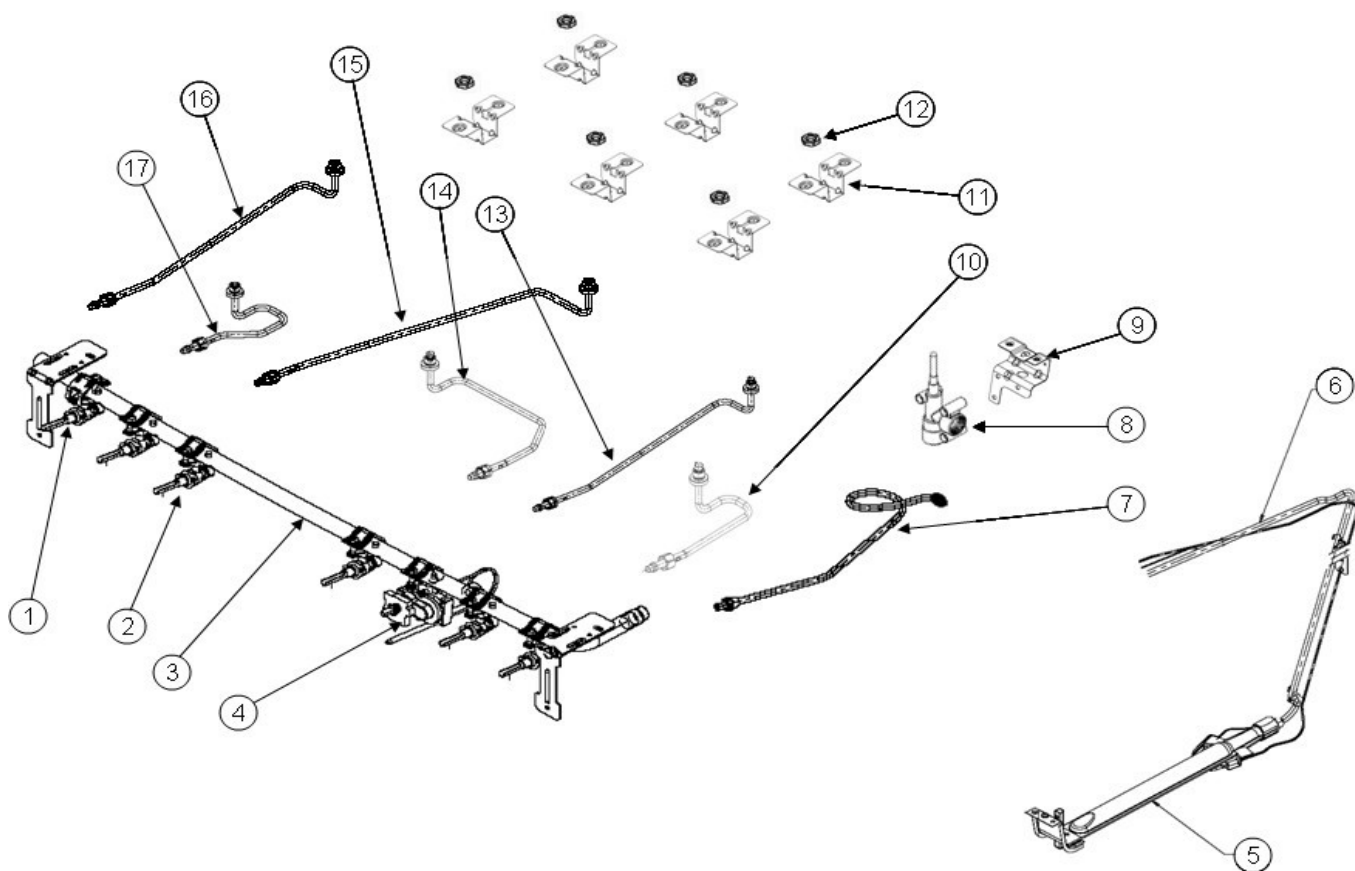
# ESTUFA WE9620S02

| Marca                                 |   | Whirpool         |                 | WE9620S02 |
|---------------------------------------|---|------------------|-----------------|-----------|
| Color                                 |   | Acero inoxidable |                 |           |
| Capacidad                             |   | 30"              |                 |           |
| R<br>e<br>f                           | Descripción   | C<br>a<br>n<br>t | Número de Parte |           |
| <b>Cubierta, Quemadores y Parilla</b> |   |                  |                 |           |
| 1                                     | Perilla Central (diam. 21.31)                       | 2                | W10376138       |           |
| *                                     | Resorte Perillas (Spring Knob)                      | **               | ***             |           |
| *                                     | Chapeton (Skirt Knob)                               | **               | ***             |           |
| 2                                     | Frente Perillas (Manifold Panel Overlay Assy)       | 1                | W10374412       |           |
| 3                                     | Display Control Broiler and Clock                   | 1                | W10181152       |           |
| 4                                     | Extension Harness for TOD                           | 1                | W10244623       |           |
| 5                                     | Bracket TOD   | 2                | W10196765       |           |
| 6                                     | Insulation (clock fiber)                            | 1                | W10243949       |           |
| 7                                     | Cover   | 1                | W10196767       |           |
| 8                                     | Parrilla Superior Basica (Grate Assy)               | 3                | W10331913       |           |
| 9                                     | Parrilla para Comal (Grate Gridle)                  | **               | ***             |           |
| 10                                    | Comal Estampado Removible (Griddle )                | 1                | W10181125       |           |
| 11                                    | Quemador Superior Estándar (STD Burner Polished)    | 4                | W10521873       |           |
| 12                                    | Tapa Quemador Superior Estándar (Cap Std Burner)    | 4                | W10190267       |           |
| 13                                    | Super Quemador Superior (Super Burner Polished)     | 1                | W10521874       |           |
| 14                                    | Tapa Super Quemador Superior (Cap Super Burner)     | 1                | W10190271       |           |
| 15                                    | Bracket Capelo Izquierdo (Bracket Cap Glass Lid LH) | 1                | W10344921       |           |
| 16                                    | Cubierta Porcenalizada (CKTP Cooktop)               | 1                | W10376336       |           |
| 17                                    | Bracket Capelo Derecho (Bracket Cap Glass Lid RH)   | 1                | W10344920       |           |
| 18                                    | Capelo (Glass Lid)                                  | 1                | W10373349       |           |
| 19                                    | Perilla Ensamble (Knob Assy Thermostat)             | 1                | W10376136       |           |
| 20                                    | Perilla lateral (diam. 14.55)                       | 1                | W10376134       |           |
| 21                                    | Perilla lateral(diam. 15.92)                        | 1                | W10376135       |           |
| 22                                    | Perilla central (diam. 18.15)                       | 2                | W10376132       |           |

# ESTUFA WE9620S02

|           |                  |                  |
|-----------|------------------|------------------|
| Whirpool  |                  | <b>WE9620S02</b> |
| Color     | Acero inoxidable |                  |
| Capacidad | 30"              |                  |

## Sistema de Combustión



**Nota:** La imagen mostrada en este explosionado puede no ser idéntica a la pieza real del aparato, mas sin embargo el número de parte mostrado en el listado corresponde a la pieza real del aparato.



# ESTUFA WE9620S02

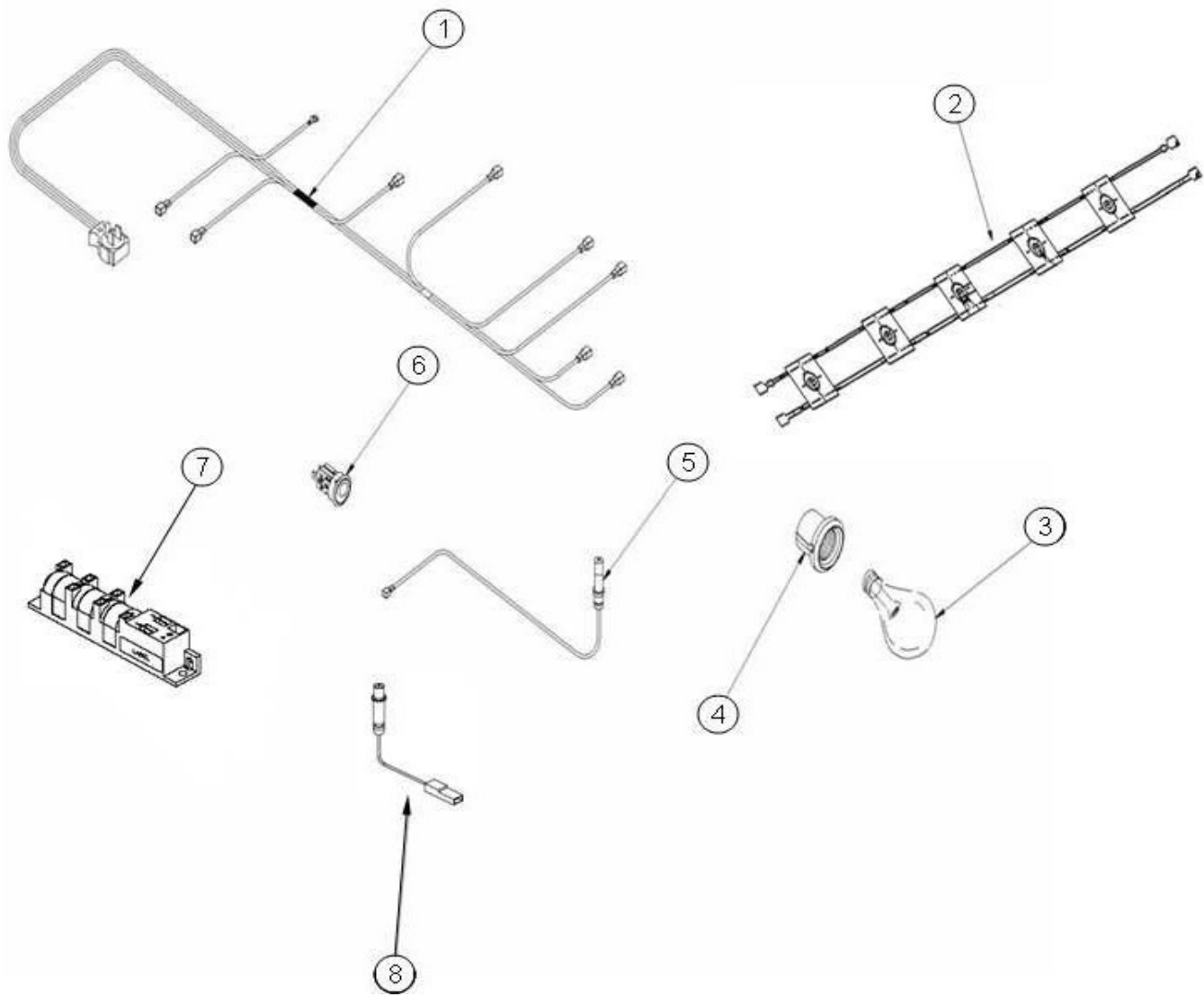
| Marca                        |  | Whirpool         |                  | WE9620S02       |
|------------------------------|--|------------------|------------------|-----------------|
| Color                        |  | Acero inoxidable |                  |                 |
| Capacidad                    |  | 30"              |                  |                 |
| R<br>e<br>f                  | Descripción  |                  | C<br>a<br>n<br>t | Numero de Parte |
| <b>Sistema de Combustión</b> |  |                  |                  |                 |
| 1                            | Valvulas Superquemadores                           |                  | 1                | W10141714       |
| 2                            | Valvulas Quemadores STD                            |                  | 4                | W10141712       |
| *                            | TCB Surface Valve                                  |                  | 1                | W10239487       |
| 3                            | Tubo Manifold (M.V.A.) Weld assy                   |                  | 1                | W10375855       |
| 4                            | Valvula Thermocontrol (Thermostat w/ Thermocouple) |                  | 1                | W10114392       |
| 5                            | Quemador Horno (Oven Burner Assy)                  |                  | 1                | W10145063       |
| 6                            | Oven Tubing 5/16"                                  |                  | 1                | W10155917       |
| 7                            | Cut Off Extension Tube                             |                  | 1                | W10188286       |
| 8                            | Cut Off Valve (105.5mm)                            |                  | 1                | W10349139       |
| 9                            | Valve Cut Off Support                              |                  | 1                | W10290771       |
| 10                           | TCB FRONT TUBING                                   |                  | 1                | W10378259       |
| 11                           | Bracket Quemadores (Bracket Surface Burner)        |                  | 5                | W10354300       |
| 12                           | Tuerca Brackets Quemadores (Nut)                   |                  | 5                | 98017323        |
| 13                           | Rear Tubing Asm Std                                |                  | 1                | W10403404       |
| 14                           | Front Tubing Assy Std                              |                  | 1                | W10403344       |
| 15                           | Rear Tubing Asm Std                                |                  | 1                | W10403411       |
| 16                           | Rear Tubing Asm Sup                                |                  | 1                | W10560563       |
| 17                           | Front Tubing Assy Std                              |                  | 1                | W10403344       |
| 18                           | Thermocouple - Oven Burner                         |                  | 1                | 98011171        |
| *                            | Manifold Assembly                                  |                  | 1                | W10381572       |
| *                            | Resistencia 1500 watts                             |                  | 1                | W10187998       |
| *                            | Kit de Espreas a Gas Natural                       |                  | 1                |                 |
| *                            | Kit de Espreas a Gas L.P.                          |                  | 1                |                 |



# ESTUFA WE9620S02

|           |                  |           |
|-----------|------------------|-----------|
| Marca     | Whirlpool        | WE9620S02 |
| Color     | Acero inoxidable |           |
| Capacidad | 30"              |           |

## Sistema Electrico



Nota: La imagen mostrada en este explosionado puede no ser idéntica a la pieza real del aparato, mas sin embargo el número de parte mostrado en el listado corresponde a la pieza real del aparato.



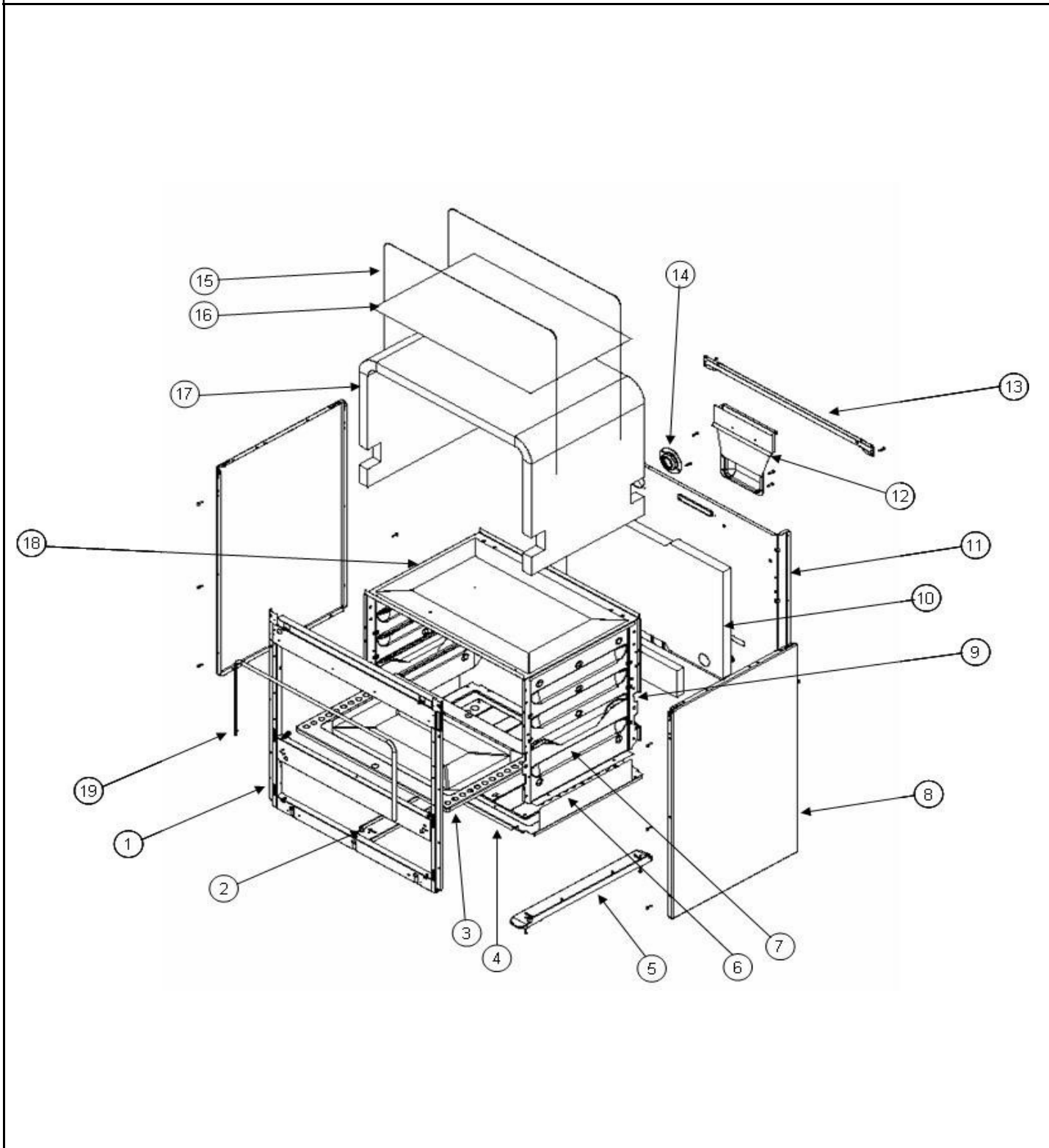
# ESTUFA WE9620S02

| <b>Marca</b>             |  | <b>Whirpool</b>         |                 | <b>WE9620S02</b> |
|--------------------------|--|-------------------------|-----------------|------------------|
| <b>Color</b>             |  | <b>Acero inoxidable</b> |                 |                  |
| <b>Capacidad</b>         |  | <b>30"</b>              |                 |                  |
| R<br>e<br>f              | Descripción  | C<br>a<br>n<br>t        | Número de Parte |                  |
| <b>Sistema Electrico</b> |  |                         |                 |                  |
| 1                        | Arnes Electrico Principal                              | 1                       | W10277183       |                  |
| 2                        | Switch Harness, 6 Valv                                 | 1                       | W10361494       |                  |
| 3                        | Foco (Oven Light Bulb)                                 | 1                       | 98004498        |                  |
| 4                        | Socket Foco de Horno (Socket Oven Light)               | 1                       | W10114530       |                  |
| 5                        | Bujia Quemador (Top Electrode 600mm)                   | 4                       | W10341547       |                  |
| *                        | Bujia Quemador (Top Electrode 300mm)                   | 1                       | W10341569       |                  |
| 6                        | Switch de Encendido Electronico (Switch Doble Fuction) | 1                       | 98005765        |                  |
| 7                        | Spark Module 7 Positions                               | 1                       | W10422763       |                  |
| 8                        | TCB Top Electrode Short                                | 1                       | W10111587       |                  |

# ESTUFA WE9620S02

|           |                  |                  |
|-----------|------------------|------------------|
| Whirpool  |                  | <b>WE9620S02</b> |
| Color     | Acero inoxidable |                  |
| Capacidad | 30"              |                  |

**Gabinete**



**Nota:** La imagen mostrada en este explosionado puede no ser idéntica a la pieza real del aparato, mas sin embargo el número de parte mostrado en el listado corresponde a la pieza real del aparato.





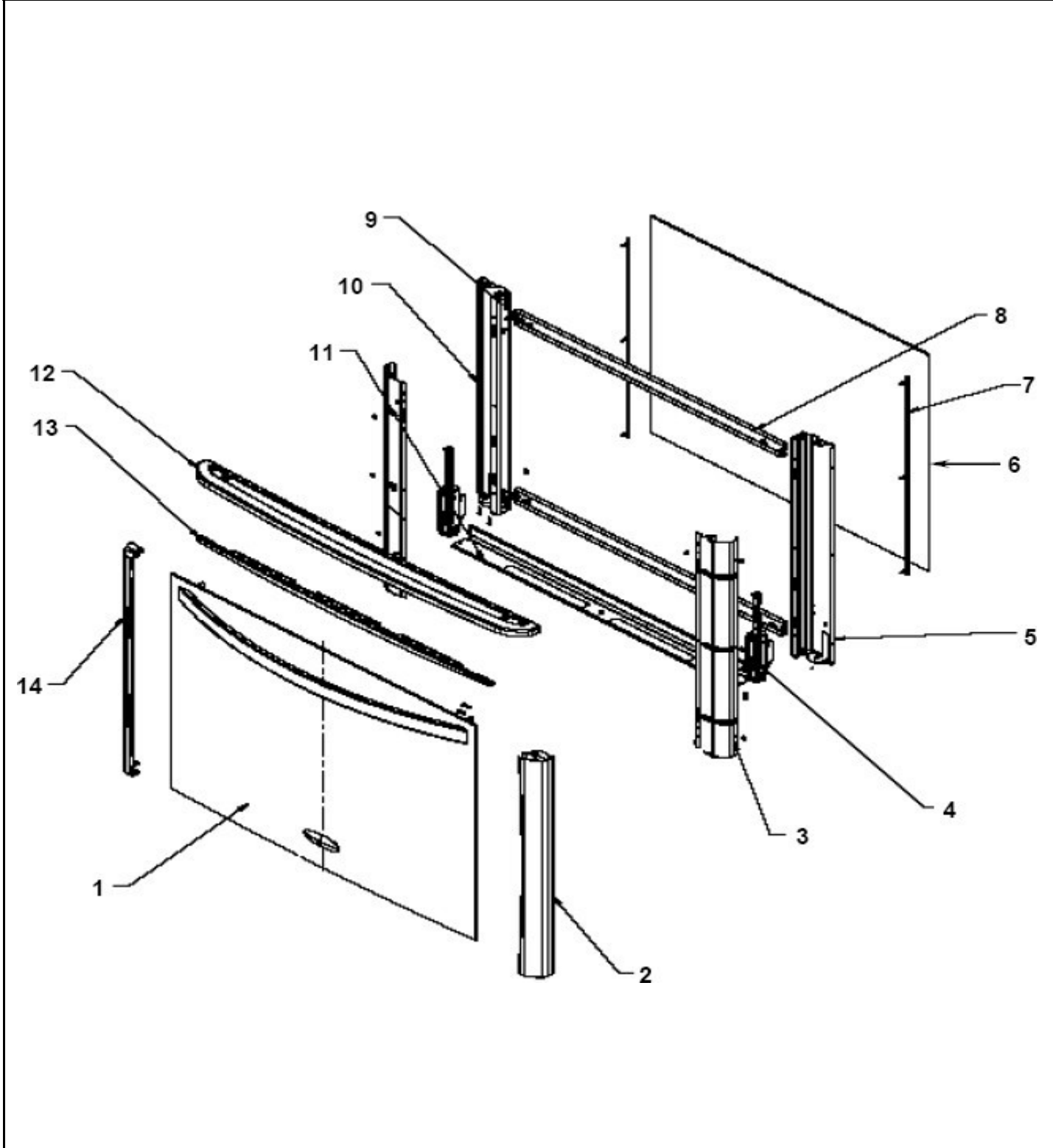
# ESTUFA WE9620S02

| Marca           |   | Whirpool         |                 | WE9620S02 |
|-----------------|---|------------------|-----------------|-----------|
| Color           |   | Acero inoxidable |                 |           |
| Capacidad       |   | 30"              |                 |           |
| R<br>e<br>f     | Descripción   | C<br>a<br>n<br>t | Número de Parte |           |
| <b>Gabinete</b> |   |                  |                 |           |
| 1               | Bastidor Frontal Ensamble (Front Frame Finish)        | 1                | W10273837       |           |
| 2               | Base Riel Izquierdo (Base Rail LH)                    | **               | ***             |           |
| 3               | Charola de Horno (Oven Bottom Finish)                 | 1                | W10464066       |           |
| 4               | Base (Base Baffle)                                    | 1                | W10539827       |           |
| 5               | Base Riel Derecho (Base Rail RH)                      | **               | ***             |           |
| 6               | Protector Puerta Horno (Aluminum Foil 410 x 50.8)     | 1                | 98010615        |           |
| 7               | Lateral Horno (Oven Side)                             | 2                | W10286117       |           |
| 8               | Panel Lateral Exterior (Side Panel)                   | 2                | W10221400       |           |
| 9               | Respaldo Horno (Oven Back)                            | 1                | W10075180       |           |
| 10              | Aislante Posterior (Insulation Oven Back)             | **               | **              |           |
| 11              | Panel Fondo Posterior (Main Back)                     | 1                | W10236891       |           |
| 12              | Caja Chimenea (Flue Box Assy)                         | 1                | W10343706       |           |
| 13              | Soporte Posterior (Rear Support)                      | 1                | 98015363        |           |
| 14              | Cubierta Socket (Cover Socket)                        | 1                | 98015779        |           |
| 15              | Cable Aislante (Wire Insulation Tie)                  | 4                | 98004294        |           |
| 16              | Protector Superior de Aislante (Aluminum Foil)        | 1                | 98010615        |           |
| 17              | Aislante Techo y Lateral Horno (Insulation Oven Wrap) | 1                | W10075190       |           |
| 18              | Techo Horno (Oven Top)                                | 1                | W10075625       |           |
| 19              | Sello Puerta Horno (Oven Door Seal)                   | 1                | W10486307       |           |

# ESTUFA WE9620S02

|           |                  |                  |
|-----------|------------------|------------------|
| Whirpool  |                  | <b>WE9620S02</b> |
| Color     | Acero inoxidable |                  |
| Capacidad | 30"              |                  |

**Puerta Horno**



**Nota:** La imagen mostrada en este explosionado puede no ser idéntica a la pieza real del aparato, mas sin embargo el número de parte mostrado en el listado corresponde a la pieza real del aparato.



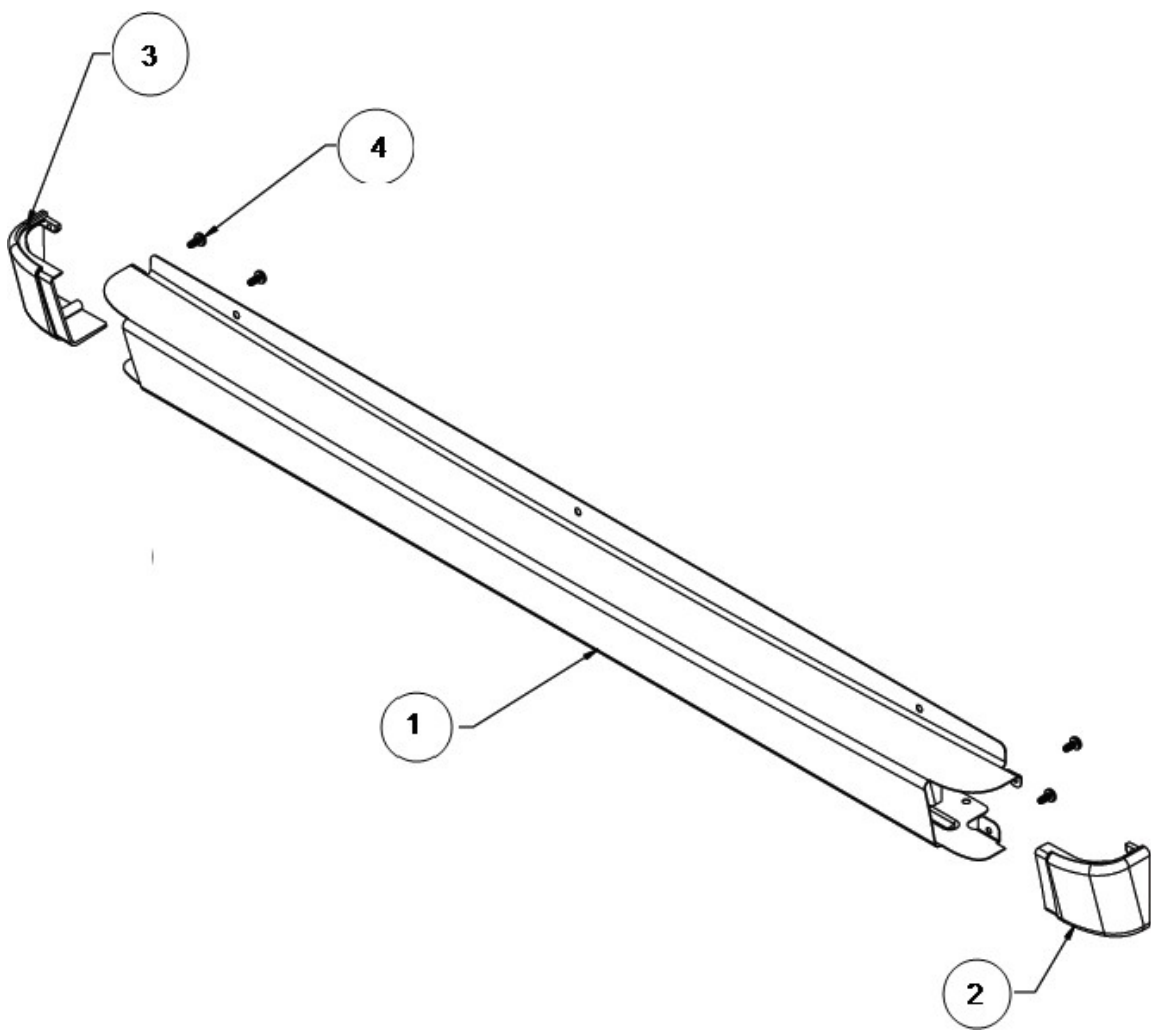
# ESTUFA WE9620S02

| <b>Whirpool</b>     |   | <b>WE9620S02</b> |                 |
|---------------------|---|------------------|-----------------|
| <b>Color</b>        | <b>Acero inoxidable</b>                                 |                  |                 |
| <b>Capacidad</b>    | <b>30"</b>  |                  |                 |
| R<br>e<br>f         | Descripción   | C a<br>n<br>t    | Número de Parte |
| <b>Puerta Horno</b> |   |                  |                 |
| 1                   | Vidrio Panorámico (Glass Pano Large & Handle Asm)       | 1                | W10218083       |
| 2                   | Vidrio Exterior Lateral Derecho (Oven Door Wing Right)  | 1                | W10377081       |
| 3                   | Sello Vidrio Interior ( Pillar Extension)               | 2                | W10216862       |
| 4                   | Bisagra Ensemble (Hinge Oven Door)                      | 2                | 98017874        |
| 5                   | Poste Puerta Horno Derecho ( O. D. Pillar Right)        | 1                | W10124031       |
| 6                   | Vidrio Interior Puerta Horno (Inner Glass)              | 1                | W10164104       |
| 7                   | Sello Vidrio Interior (Seal Inner Glass)                | 2                | W10292266       |
| 8                   | Retenedor de Vidrio (Oven Door Cross Piece)             | 1                | W10172281       |
| 9                   | Tornillo (Screw)  | **               | ***             |
| 10                  | Poste Puerta Horno Izquierdo ( O. D. Pillar Left)       | 1                | W10124032       |
| 12                  | Vista de Vidrio (Upper Trim)                            | 1                | W10377070       |
| 13                  | Soporte de Vista (Inner Trim)                           | **               | ***             |
| 14                  | Vidrio Exterior Lateral Izquierdo (Oven Door Wing Left) | 1                | W10377073       |
| *                   | Ensamble Puerta Horno Completo                          | 1                | W10377125       |

# ESTUFA WE9620S02

|                        |           |
|------------------------|-----------|
| Whirpool               |           |
| Color Acero inoxidable | WE9620S02 |
| Capacidad 30"          |           |

## Panel Inferior



Nota: La imagen mostrada en este explosionado puede no ser idéntica a la pieza real del aparato, mas sin embargo el número de parte mostrado en el listado corresponde a la pieza real del aparato.



# ESTUFA WE9620S02

| <b>Marca</b>          |                                | <b>Whirpool</b>         |                 | <b>WE9620S02</b> |
|-----------------------|--------------------------------|-------------------------|-----------------|------------------|
| <b>Color</b>          |                                | <b>Acero inoxidable</b> |                 |                  |
| <b>Capacidad</b>      |                                | <b>30"</b>              |                 |                  |
| <b>Panel Inferior</b> |                                |                         |                 |                  |
| R<br>e<br>f           | Descripción                    | C<br>a<br>n<br>t        | Número de Parte |                  |
| 1                     | Panel inferior (Lower Panel)   | 1                       | W10376629       |                  |
| 2                     | Vista derecha (End Cap Right)  | 1                       | W10218352       |                  |
| 3                     | Vista izquierda (End Cap Left) | 1                       | W10218358       |                  |
| 4                     | Tornillo 8-24x8.0              | **                      | ***             |                  |