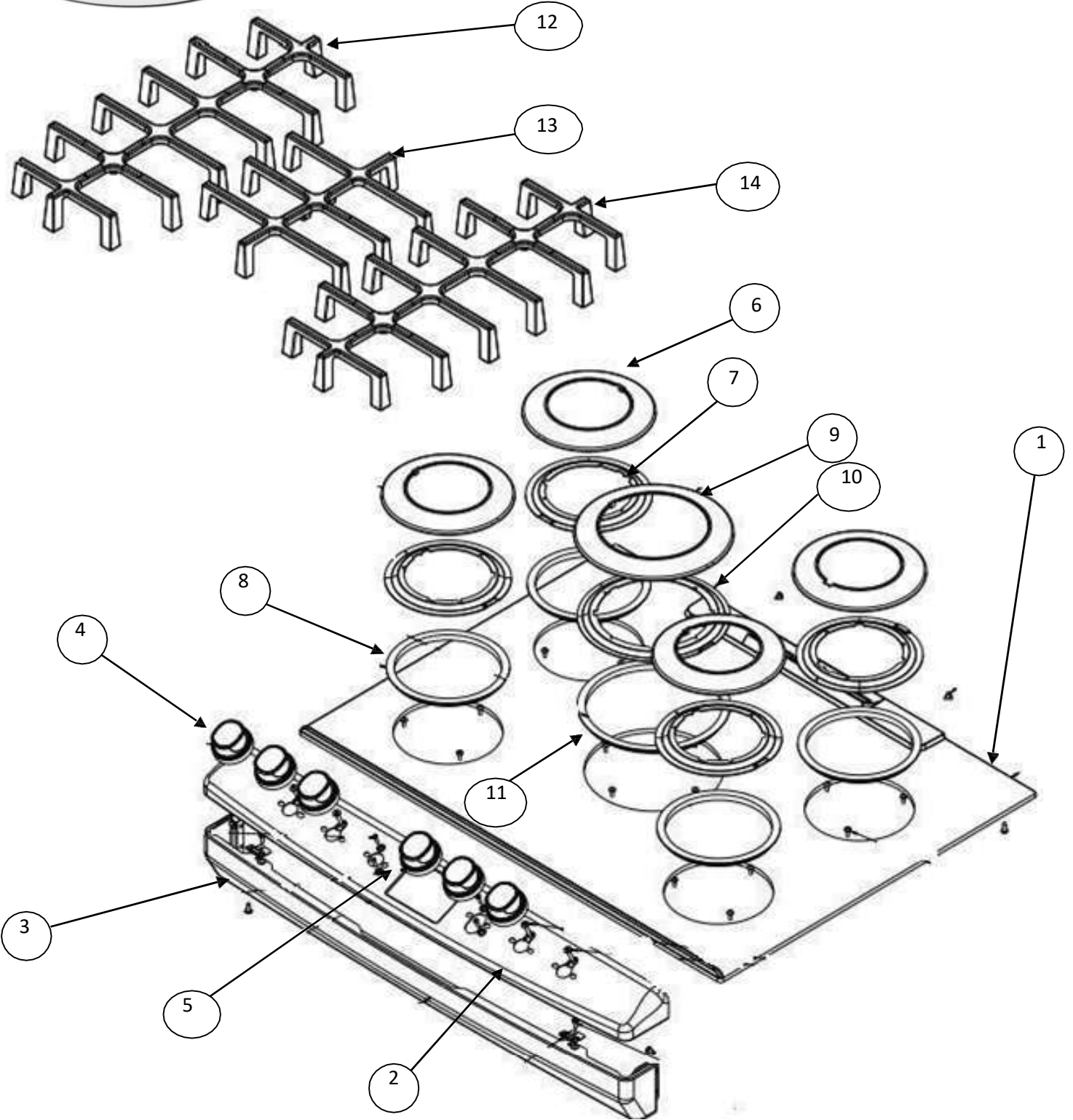


# EXPLOSIONADO DE PARTES

— ESTUFA NACIONAL —

MODELO | WE9995S01

# ESTUFA WE9995S01

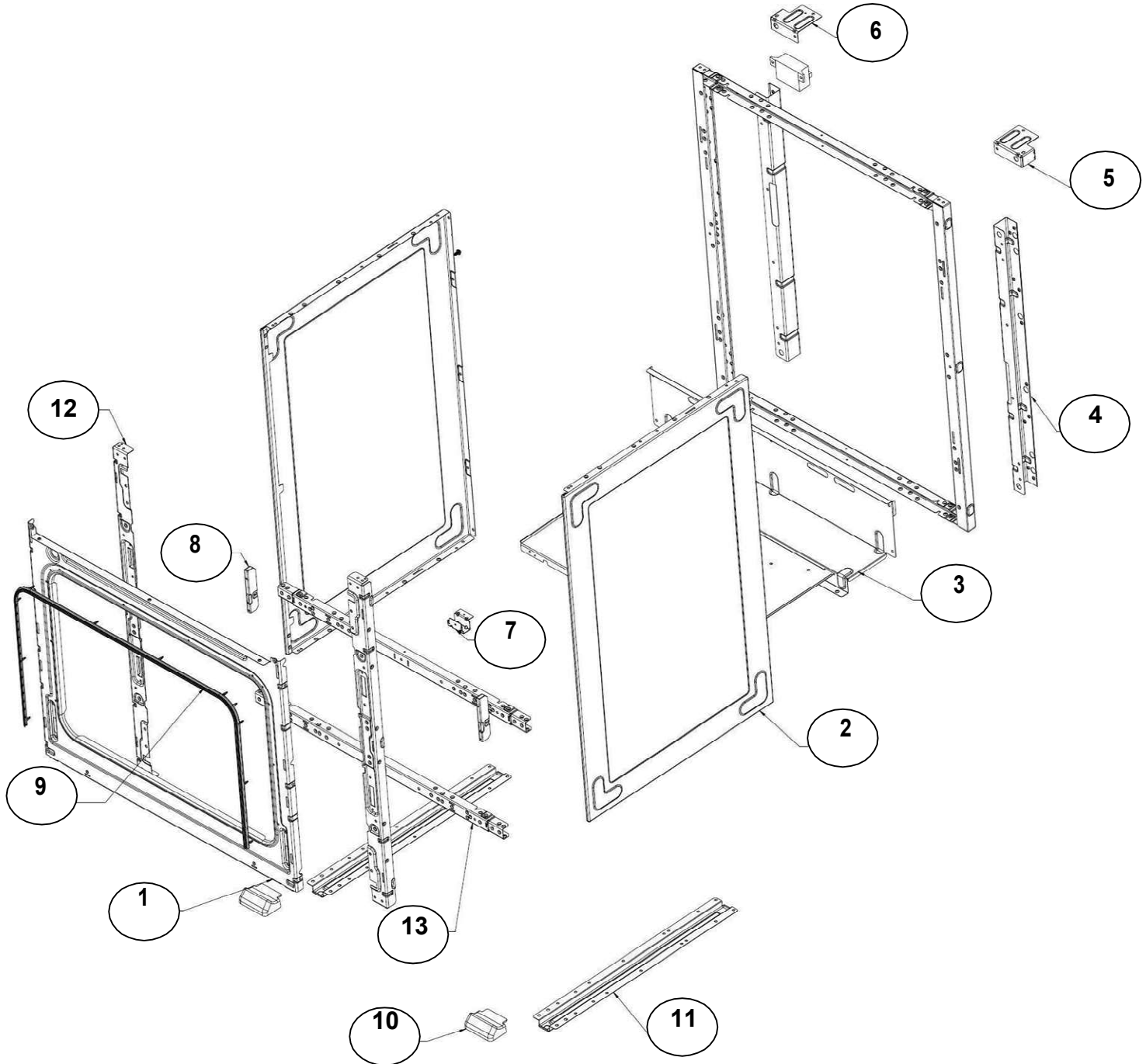




# ESTUFA WE9995S01

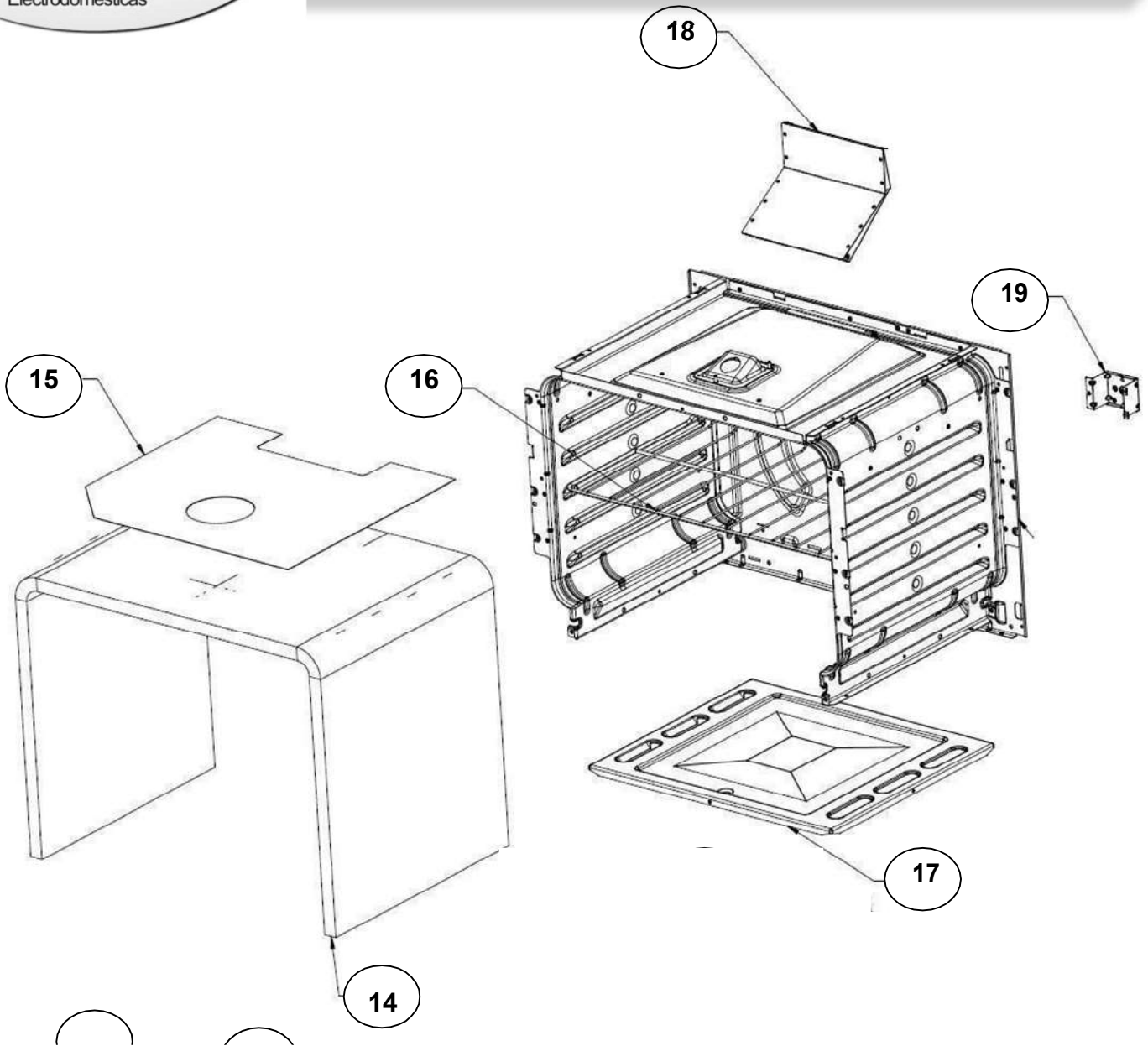
No. Ilus.	DESCRIPCIÓN	Cant.	No. de Parte
1	COOKTOP	1	W10738301
2	FRONT PANEL EXTENTION SS	1	W10729959
3	FRONT PANEL INSERT	1	W10786121
4	KNOB	5	W10513448
5	OVEN KNOB	1	W10717829
6	SKIRT RAPID GOG IH ENAMEL	4	W10755471
7	BRACKET SUPPORT RAPID BURNER	4	W10661909
8	GASKET BURNER GLASS HOLE - SMALL	4	W10672062
9	SKIRT ULTRA RAPID GOG IH ENAMEL	1	W10755470
10	BRACKET FIXING - ULTRA RAPID	1	W10661910
11	GASKET BURNER GLASS HOLE	1	W10672063
12	LATERAL GRATE GOG	1	W10727845
13	CENTRAL GRATE GOG	1	W10727844
14	LATERAL GRATE GOG	1	W10727845
**	TORNILLO PARA QUEMADOR	10	98004993

# ESTUFA WE9995S01





# ESTUFA WE9995S01

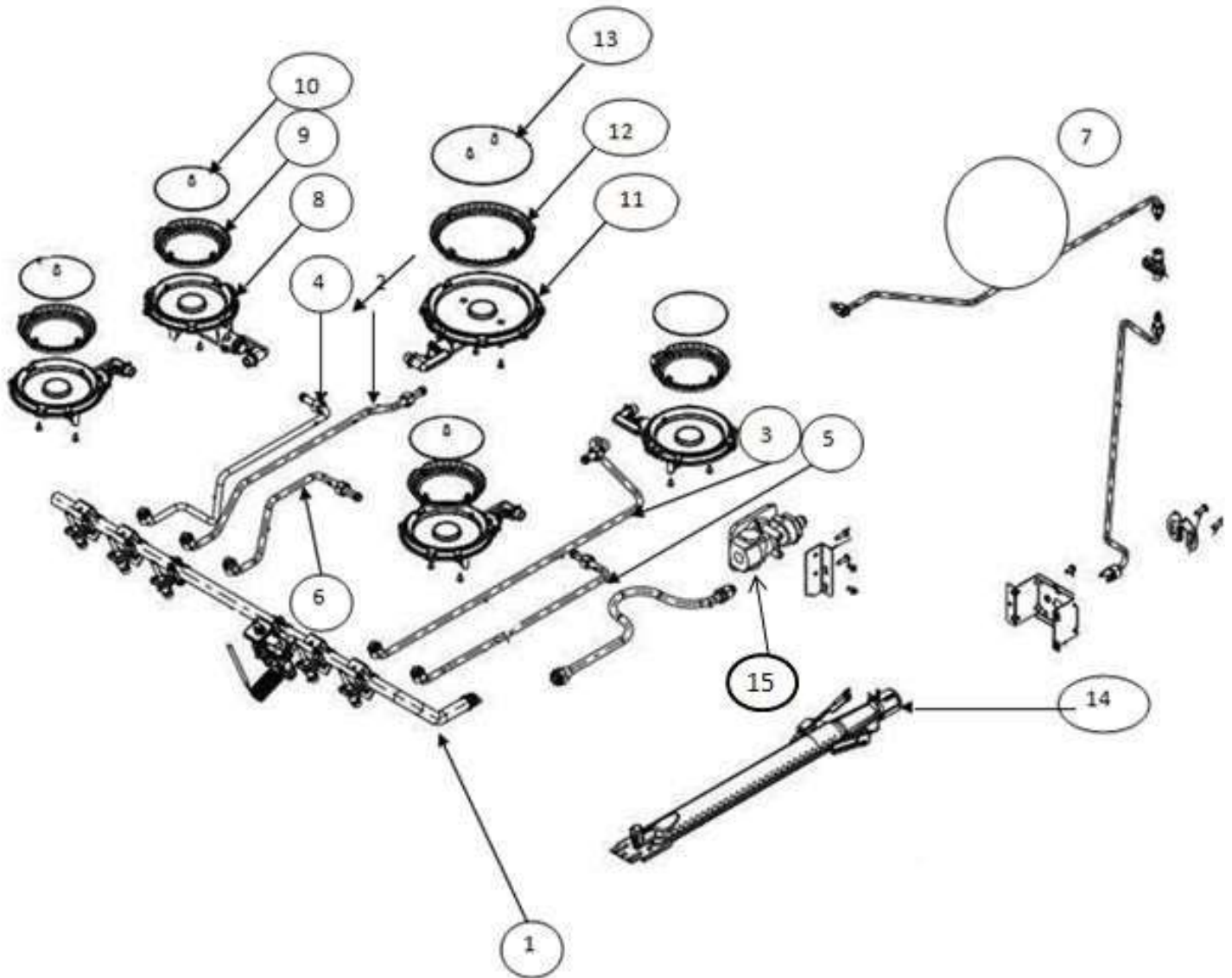




# ESTUFA WE9995S01

<u>No. Ilus.</u>	<u>DESCRIPCIÓN</u>	<u>Cant.</u>	<u>No. de Parte</u>
1	FRONT FRAME	1	W10599107
2	SIDE PANEL - MIDNIGHT GREY	2	W10364563
3	BROIL BACK COVER	*	*****
4	C - BRACKET	*	*****
5	CORNER BRACKET RH	*	*****
6	CORNER BRACKET LF	*	*****
7	FRONT BRACKET OVEN BURNER	1	W10387513
8	COUNTER SUPPORT	2	W10327222
9	OVEN DOOR SEAL	1	W10759584
10	BASE CORNER FRONT	*	*****
11	BASE RAIL	*	*****
12	CROSS SUPPORT - 30"	2	W10327223
13	FRONT VERTICAL PILLAR F/S	2	W10327220
14	OVEN INSULATION WRAPPER 30"	1	W10364807
15	ALUMINUM FOIL ULTRA	*	*****
16	OVEN RACK	1	W10550642
17	OVEN BOTTOM 30"	1	W10764694
18	FLUE BOX ASM	1	W10389355
19	BRACKET OVEN BURNER	1	W10381594

# ESTUFA WE9995S01



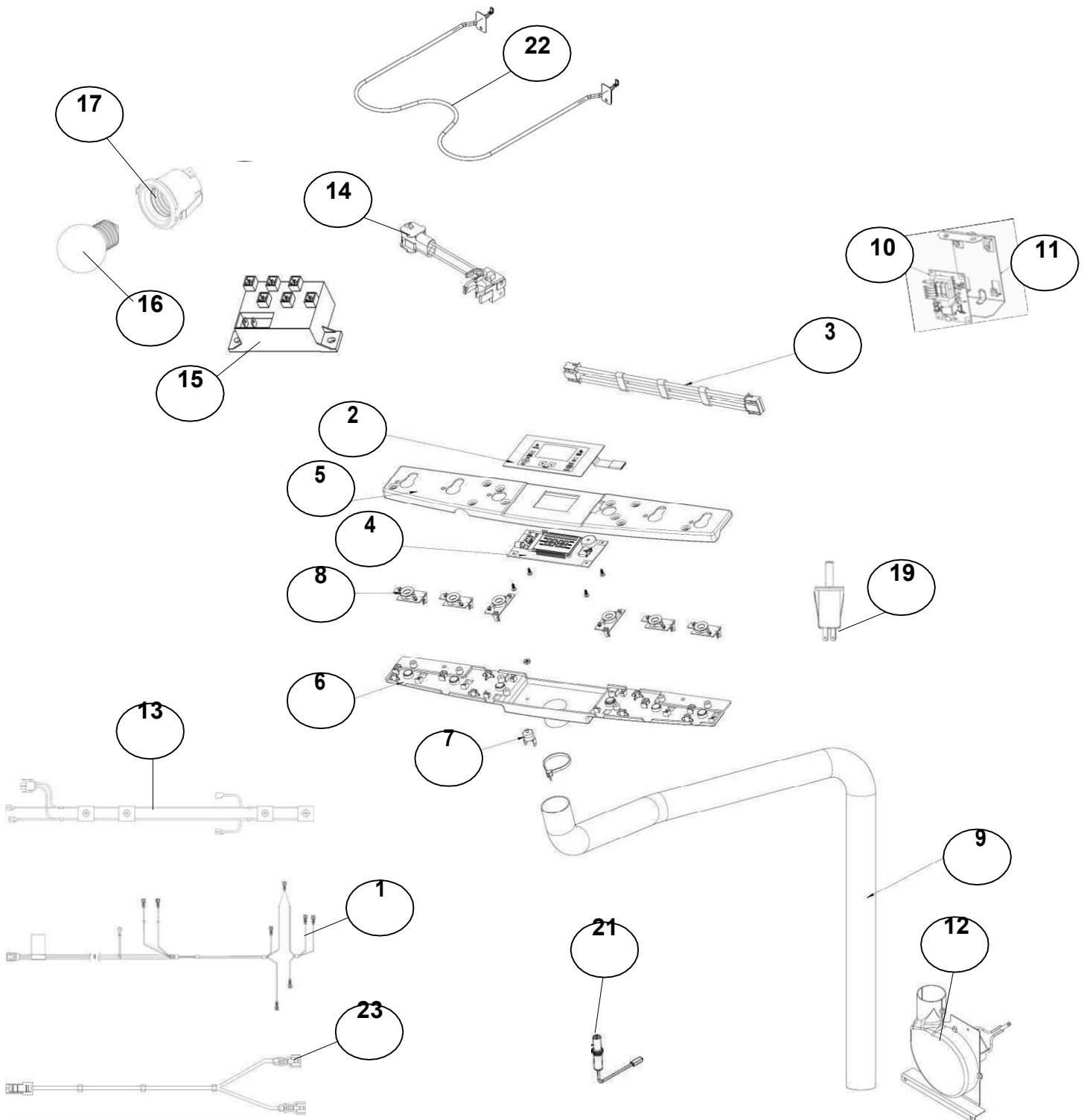


# ESTUFA WE9995S01

No. Ilus.	DESCRIPCIÓN	Cant.	No. de Parte
1	MANIFOLD TUBE	1	W10738995
2	TUBING ASSY LFT REAR BI GOG	1	W10685214
3	TUBING ASSY RGT REAR BI GOG	1	W10685235
4	TUBING ASSY LFT FRONT BI GOG	1	W10685223
5	TUBING ASSY RGT FRONT BI GOG	1	W10685241
6	TUBING ASSY CENTRAL BI GOG	1	W10685230
7	OVEN TUBING - UPPER HW & DRAGON CLIO	1	W10485463
8	RAPID BURNER GOG COOKTOP	4	W10708435
9	SPREADER FLAT R JM	4	W10737808
10	BURNER CAP-R,FLAT	4	W10675031
11	ULTRA RAPID BURNER GOG COOKTOP	1	W10708437
12	SPREADER-R,FLAT	1	W10390658
13	BURNER CAP-UR,FLAT	1	W10675032
14	OVEN BURNER	1	W10519079
15	PRESSURE REGULATOR ASSEMBLY	1	W10682560
	<b>THERMOCOUPLE</b>		W10491992
	<del>KIT CONV NG</del>		<del>W10718557</del>
	<del>KIT CONV LP</del>		<del>W10773401</del>



# ESTUFA WE9995S01

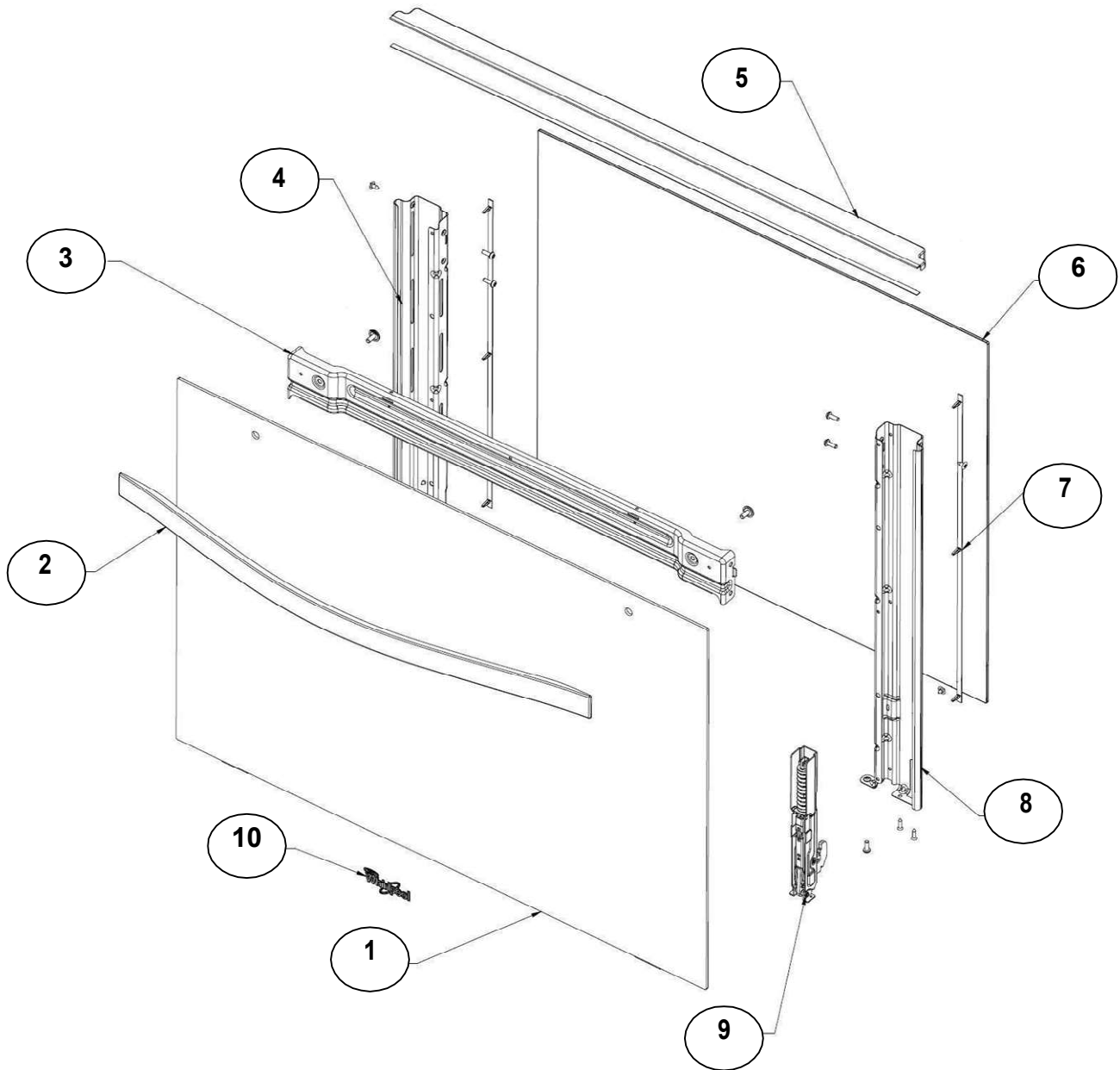




# ESTUFA WE9995S01

<u>No. Ilus.</u>	<u>DESCRIPCIÓN</u>	<u>Cant.</u>	<u>No. de Parte</u>
1	MAIN HARNESS HW	1	W10675405
2	TOD MEMBRANE DR & ILLUM BI	1	W10446874
3	TOD HARNESS DRAGON	1	W10675690
4	TOD PLUS DR (TARJETA CONTROL)	1	W10381664
5	MOUNTING BRACKET COVER	*	*****
6	MOUNTING BRACKET BASE	1	W10540390
7	THERMO SWITCH	1	W10244824
8	LIGHTING BOARD ASSY	1	W10738343
9	ULTRA FAN DUCT	1	W10492455
10	TOD SUPPLY SOURCE ILLUM	1	W10555964
11	SUPPLY SOURCE BRACKET	1	W10747774
12	FAN BLOWER	1	W10391629
13	SWITCH HARNESS DR	1	W10692161
14	SWITCH HARNESS - DUAL VALVE	1	*****
15	SPARK MODULE 6 POS.	1	W10455035
16	OVEN BULB	1	W10788320
17	SOCKET - OVEN LIGHT	1	W10554269
20	SWITCH DOOR	1	98005765
21	OVEN ELECTRODE	1	W10145060
22	BROIL ELEMENT 1500W	1	W10385329
23	THERMO SWJUMPER	1	W10381618

# ESTUFA WE9995S01





# ESTUFA WE9995S01

No. Ilus.	<u>DESCRIPCIÓN</u>	<u>Cant.</u>	<u>No. de Parte</u>
1	BI MASK & OUTER GLASS ASM S.S.	1	W10528454
2	OVEN DOOR HANDLE	1	W10831891
3	CROSS SUPPORT	1	W10387343
4	PILLAR RGT	1	W10445015
5	UPPER TRIM	1	W10544145
6	INNER GLASS	1	W10372163
7	SEAL	1	W10292266
8	PILLAR RGT	1	W10445013
9	HINGE	2	W10420751
10	BADGE	1	W10481433
*	BI OVEN DOOR, METAL FRAME SS (PUERTA COMPLETA)	1	W10750990

KIT DE CONVERSION GAS NATURAL:	<del>W10718557</del>	
Componentes a solicitar:	W10539375 (1)	ORIFICE OVEN BURNER
	W10121465 (1)	BY-PASS THERMOSTAT
	W10721243 (1)	ULTRARAPID BURNER
	W10721242 (4)	RAPID BURNER