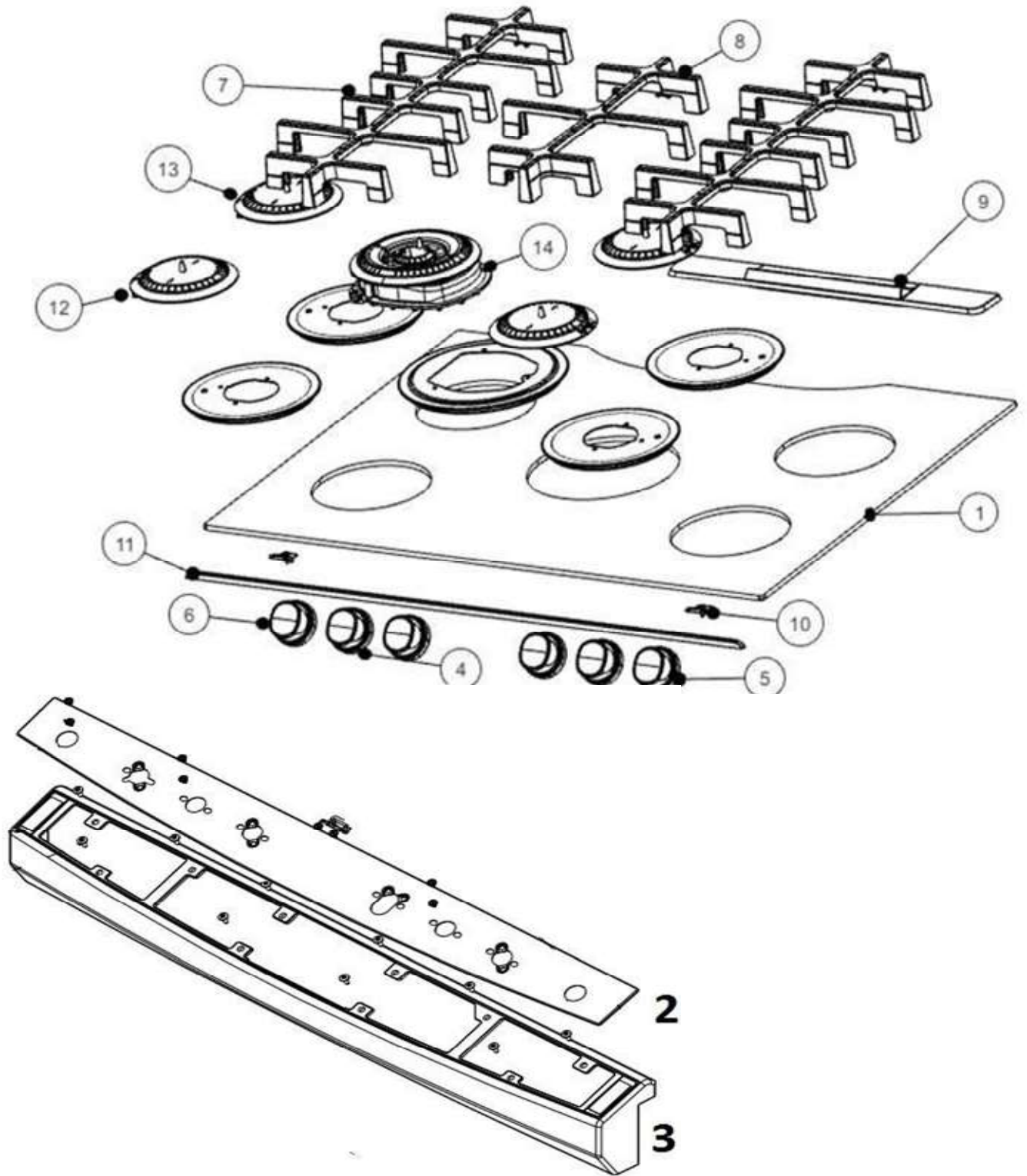




EXPLOSIONADO DE PARTES — ESTUFA NACIONAL —

MODELO | WE9996S00

ESTUFA WE9996S00



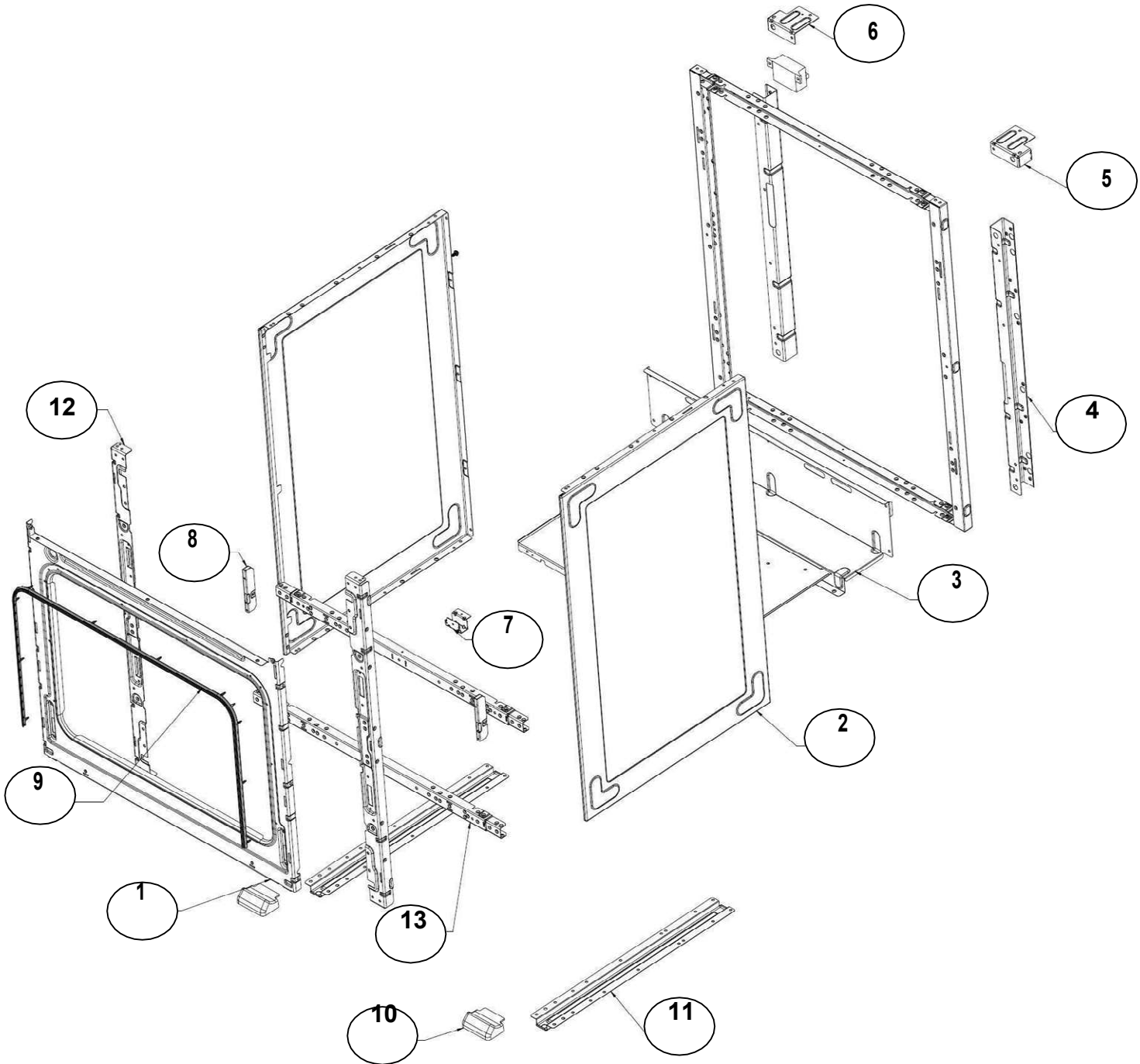
ESTUFA WE9996S00

No. Ilus.	DESCRIPCIÓN	Cant.	No. de Parte
1	COOKTOP (ensamble	1	W10840213
1.1	completo)	1	W10832409
	Vidrio de la parrilla		
2	APLIQUE MANIFOLD PANEL	1	W10603033
3	PANEL BMC & COVER ASSY	1	W10603042
4	ILLUMINATI KNOB ASSY	4	W10513448
5	KNOB ASSY-ILLUMINATI	1	W10717830
6	KNOB ASSY DUAL	1	W10576415
7	LATERAL GRATE	2	W10866300
8	CENTRAL GRATE	1	W10866317
9	BASE COVER FLUE BOX	1	W10732678
10	FRONT CLIP COOKTOP	2	W10620563
11	COOKTOP PROFILE GOG	1	W10716326
12	S4 RAPID BURNER	1	Ver nota #1
13	S4 RAPID BURNER ASSY	3	W10838456
14	S4 WOK BURNER KIT	1	Ver nota #2
**	TORNILLO PARA QUEMADOR	10	98004993

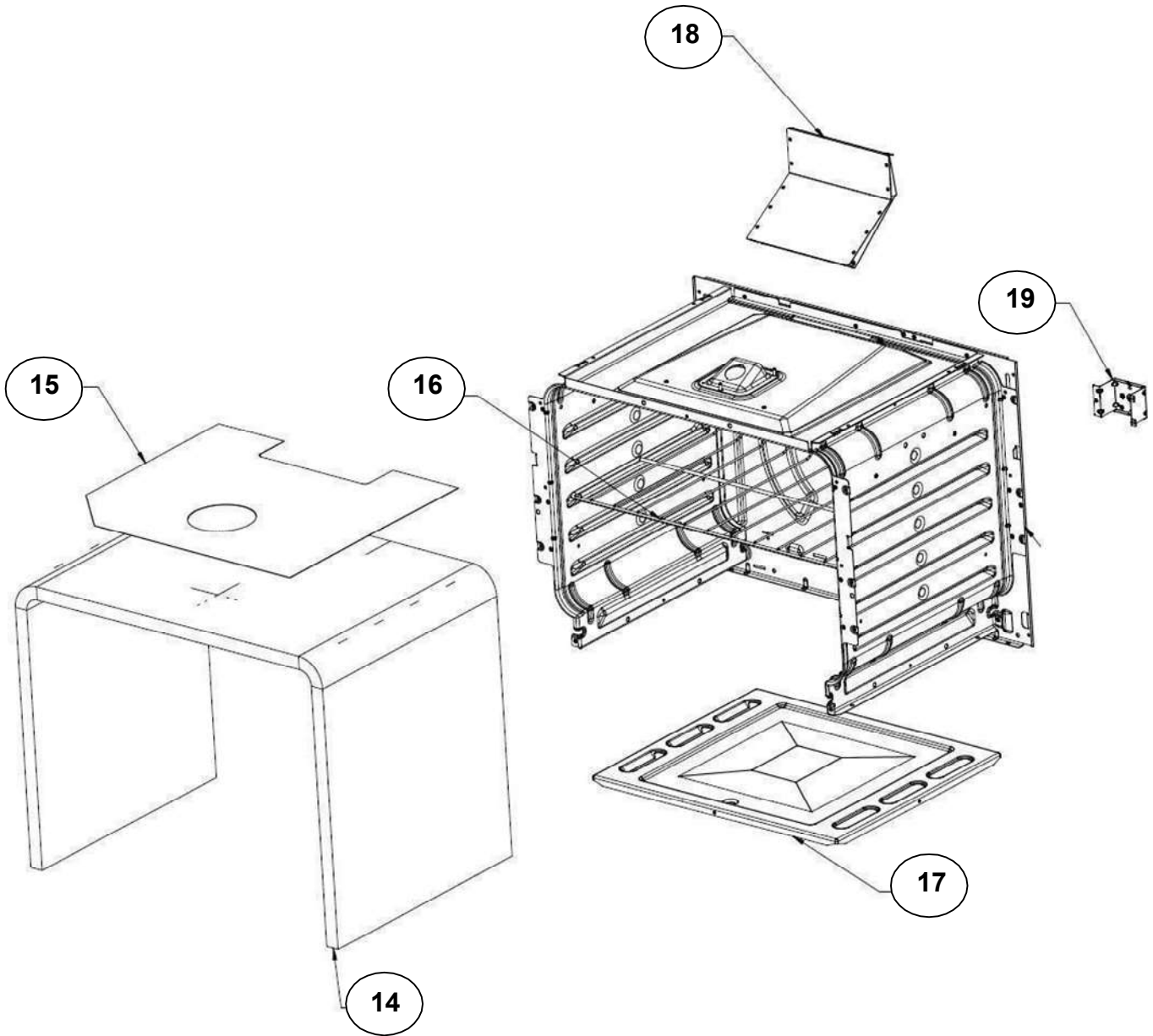
NOTA #1: Para el número de parte
W10785374 S4 RAPID BURNER solicitar:
W10785375 – Base quemador
W10785379 – Spreader quemador
W10785380 – Tapa quemador

NOTA #2: Para el número de parte
W10785600 S4 WOK BURNER KIT solicitar:
W10785601 – Base quemador
W10785602 – Spreader quemador
W10785604 – Tapa quemador externa
W10785702 – Tapa quemador interna

ESTUFA WE9996S00



ESTUFA WE9996S00

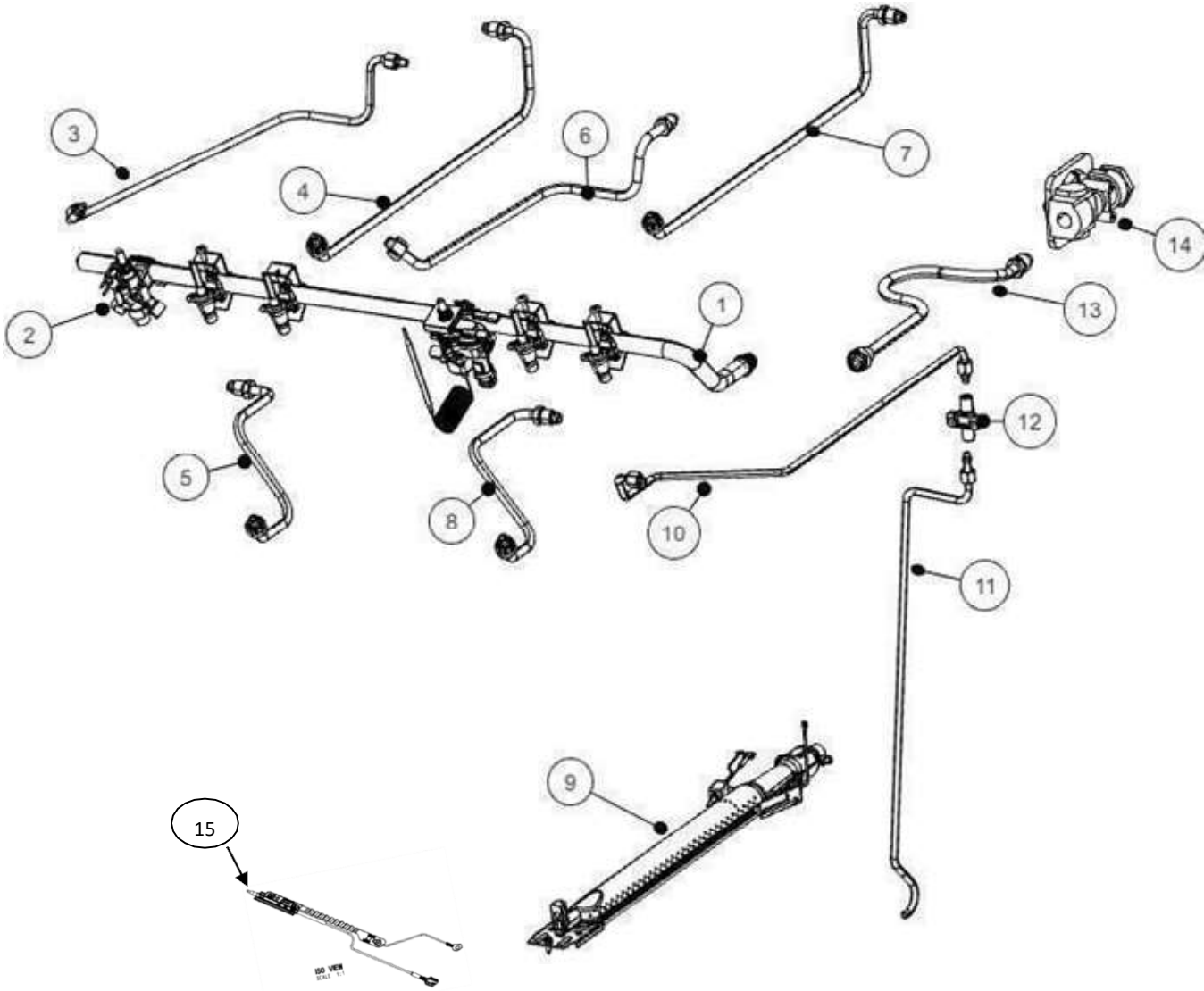




ESTUFA WE9996S00

<u>No. Ilus.</u>	<u>DESCRIPCIÓN</u>	<u>Cant.</u>	<u>No. de Parte</u>
1	FRONT FRAME	1	W10448073
2	SIDE PANEL - MIDNIGHT GREY	2	W10364507
3	BROIL BACK COVER	1	W10515063
4	C - BRACKET	2	W10538119
5	CORNER BRACKET RH	1	W10364813
6	CORNER BRACKET LF	1	W10446940
7	FRONT BRACKET OVEN BURNER	1	W10475852
8	COUNTER SUPPORT	2	W10327222
9	OVEN DOOR SEAL	1	W10759584
10	BASE CORNER FRONT	2	W10596641
11	BASE RAIL	2	W10446524
12	CROSS SUPPORT - 30"	2	W10327223
13	FRONT VERTICAL PILLAR F/S	2	W10354862
14	OVEN INSULATION WRAPPER 30"	1	W10364807
15	ALUMINUM FOIL ULTRA	1	**
16	OVEN RACK	1	W10550642
17	OVEN BOTTOM 30"	1	W10764694
18	FLUE BOX ASM	1	W10863729
19	BRACKET OVEN BURNER	1	W10381594

ESTUFA WE9996S00

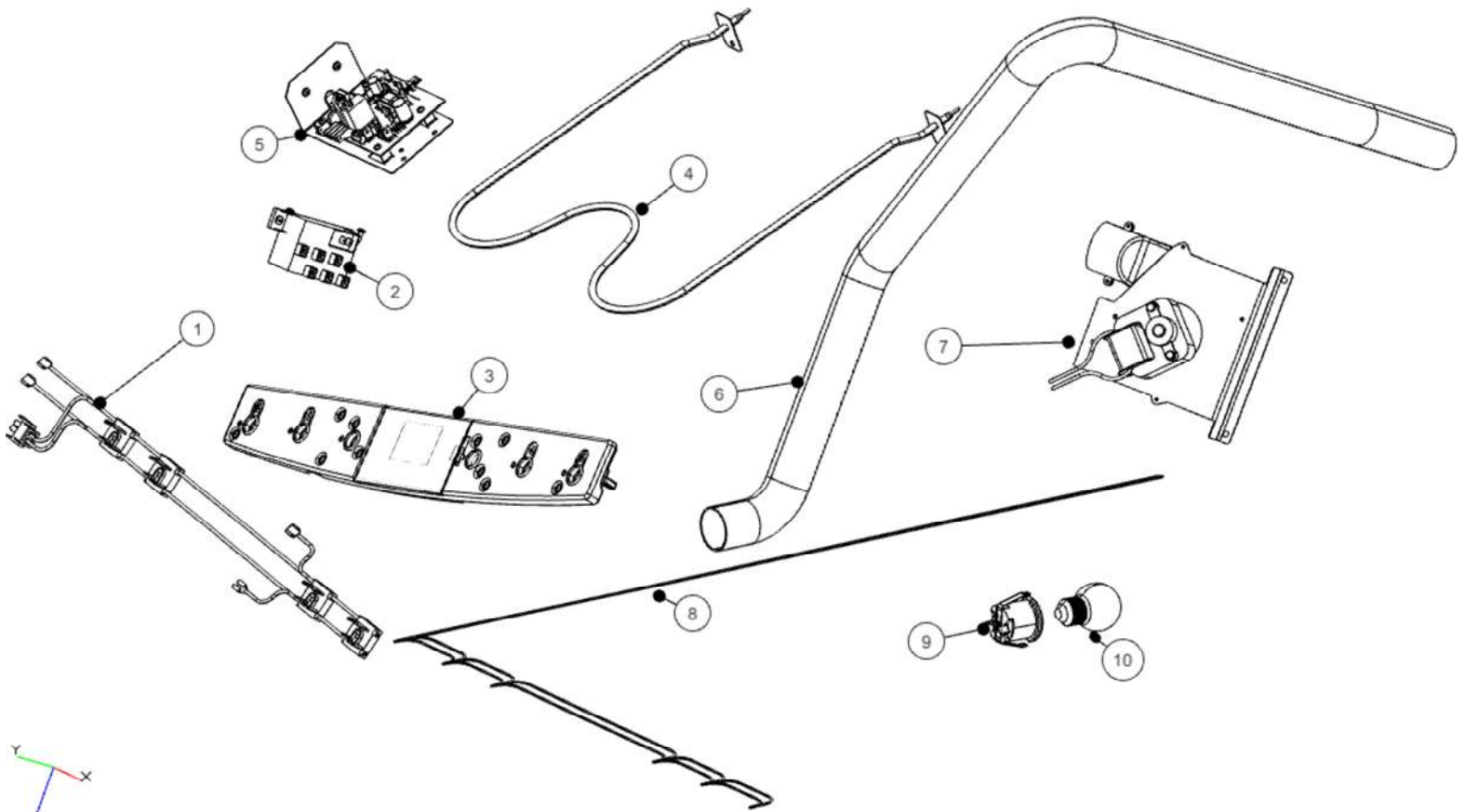




ESTUFA WE9996S00

No. Ilus.	DESCRIPCIÓN	Cant.	No. de Parte
1	MANIFOLD TUBE	1	W10840328
2	DUAL VALVE	1	W10381658
3	TUBING ASSY CENTRAL GOG	1	W10830158
4	TUBING ASSY REAR RIGHT GOG	1	W10830153
5	TUBING ASSY FRONT LEFT	1	W10830156
6	TUBING ASSY CENTRAL GOG WOK	1	W10830157
7	TUBING ASSY REAR LEFT GOG	1	W10830154
8	TUBING ASSY FRONT RIGHT GOG	1	W10830155
9	OVEN BURNER ASSY	1	W10519079
10	OVEN TUBING - UPPER THERMOSTAT	1	W10485463
11	TUBING ASSY BOTTOM - OVEN	1	W10381596
12	OVEN TUBING CONNECTOR	1	W10387478
13	CONNECTING TUBE	1	W10731781
14	PRESSURE REGULATOR ASSY	1	W10682560
15	THERMOCOUPLE	1	W11116000
	KIT CONVERSION LP KIT		W10869936
	CONVERSION NG		W10843129

ESTUFA WE9996S00



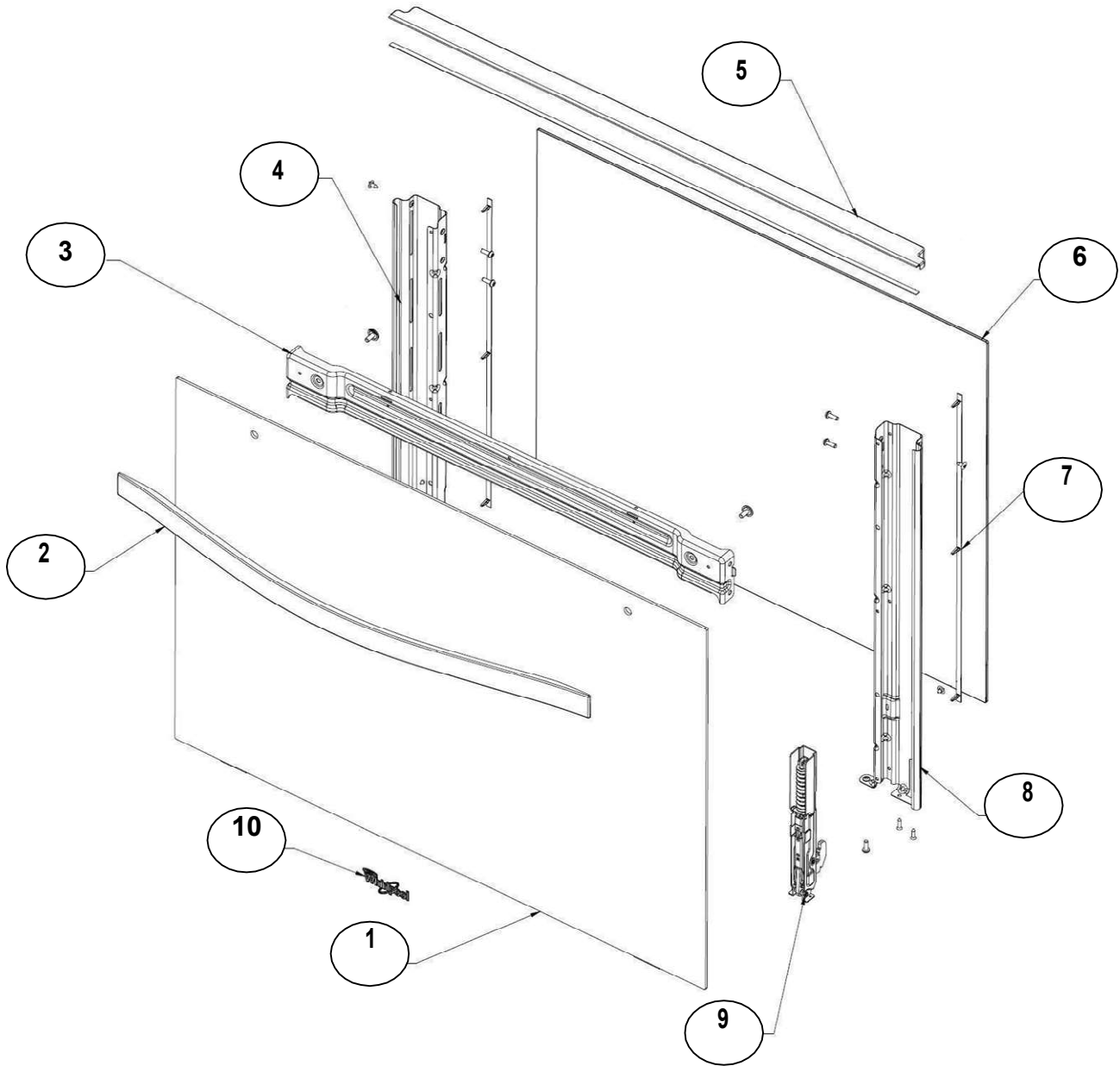


ESTUFA WE9996S00

<u>No. Ilus.</u>	<u>DESCRIPCIÓN</u>	<u>Cant.</u>	<u>No. de Parte</u>
1	SWITCH HARNESS DR	1	W10381661
2	SPARK MODULE 6 POS	1	W10455035
3	TOD PLUS DR (solo display)	1	W10381664
4	BROIL ELEMENT 1500W	1	W10385329
5	SUPPLY SOURCE ASSY	1	W10747773
6	ULTRA FAN DUCT	1	W104924553
7	FAN BLOWER	1	W10391629
8	LIGHTING HARNESS	1	W10676178
9	SOCKET – OVEN LIGHT	1	W10554269
10	OVEN LIGHT BULB	1	W10788320

NOTA: PARA ESTE MODELO LAS BUJIAS SE ENCUENTRAN EN LA BASE DE LOS QUEMADORES, POR TANTO EN CASO DE REQUERIRLAS FAVOR DE SOLICITAR EL QUEMADOR.

ESTUFA WE9996S00



Distribuidor Autorizado

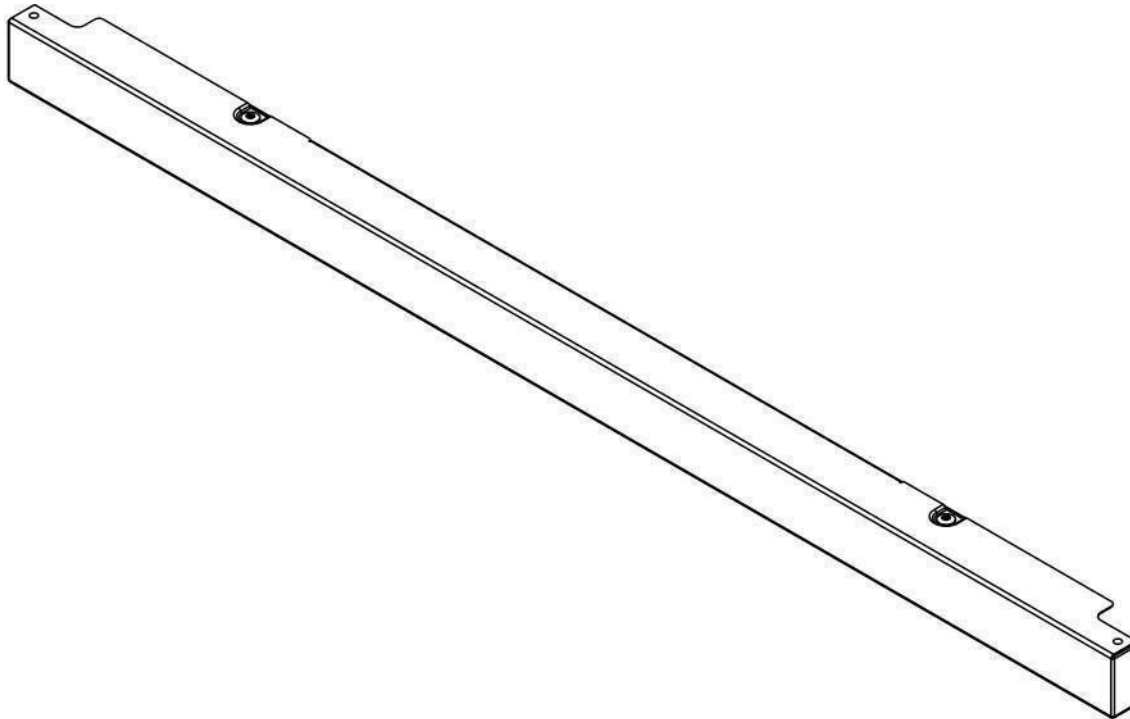
SurteRápido.com

Venta de Refacciones
Electrodomesticas

ESTUFA WE9996S00

No. Ilus.	DESCRIPCIÓN	Cant.	No. de Parte
1	MASK & OUTER GLASS ASM U.S.L.	1	W10364176
2	OVEN DOOR HANDLE	1	W10831891
3	OVEN DOOR CROSS SUPPORT	1	W10387343
4	OVEN DOOR PILLAR LEFT	1	W10445015
5	UPPER TRIM - OVEN DOOR	1	W10544145
6	INNER GLASS - OVEN DOOR	1	W10372163
7	INNER GLASS SEAL	2	W10292266
8	OVEN DOOR PILLAR RIGHT	1	W10445013
9	OVEN DOOR HINGE	2	W10420753
10	BADGE-WHIRLPOOL CENTENNIAL	1	W10481433
**	OVEN DOOR UNIVERSAL S.L.	**	W10493701

ESTUFA WE9996S00



No. Ilus.	DESCRIPCIÓN	Cant.	No. de Parte
1	KICK PANEL ASM	1	W10500822

KIT DE CONVERSION GAS NATURAL:	W10843129	
Componentes a solicitar:	W10120503 (4)	ORIFICE STD BURNER
	W10871303 (1)	ORIFICE WOK SIMMER S4
	W10871302 (2)	ORIFICE WOK EXTERNAL S4
	W10539375 (1)	ORIFICE OVEN BURNER
	W10121465 (1)	BY-PASS THERMOSTAT