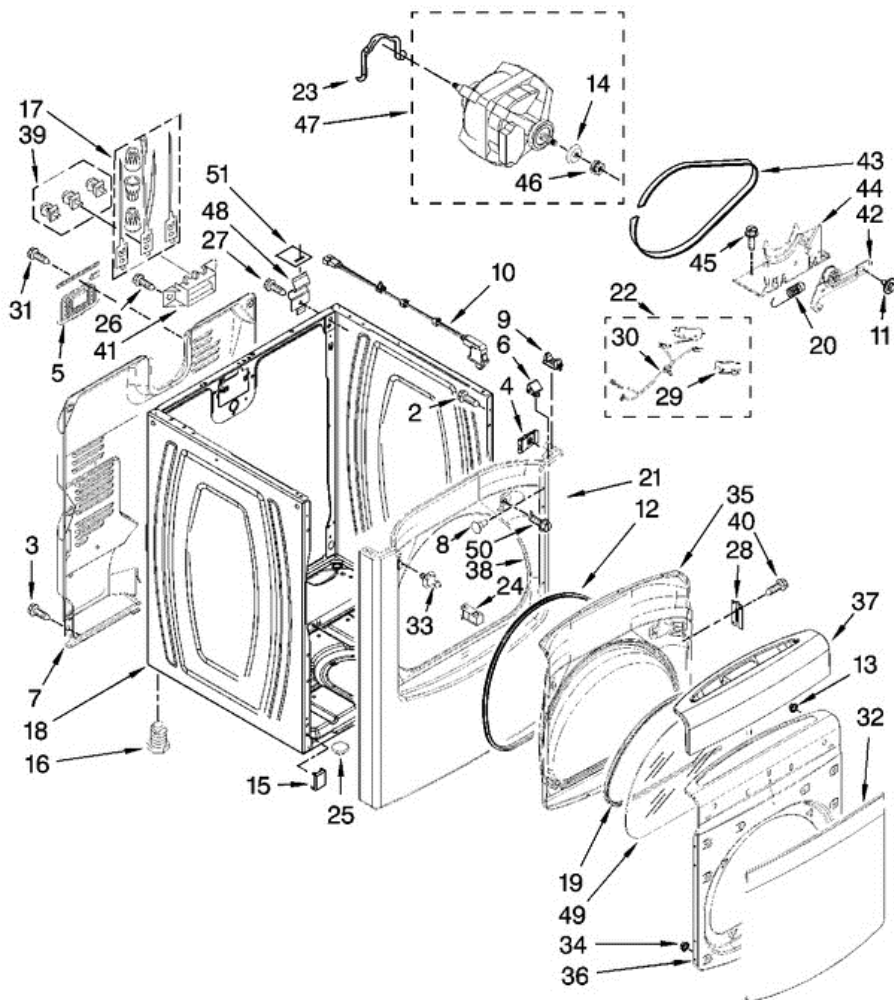


Distribuidor Autorizado

SurteRápido.com

Venta de Refacciones
Electrodomesticas

WED6400SW1 GABINETE



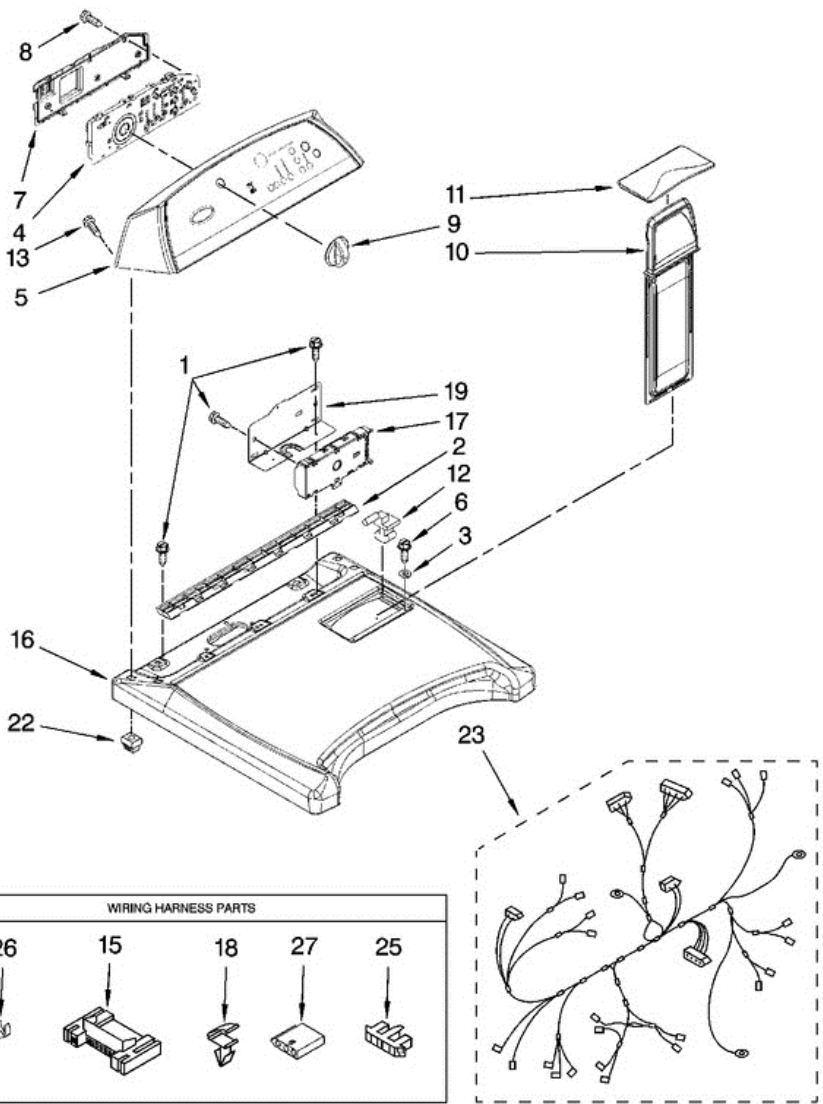







WED6400SW1 GABINETE

2	343641	SCREW, 10-16 X 1/2
3	693995	SCREW, 8-18 X 3/8
4	W10007520	CLIP, GROUND (2)
5	W10110241	COVER, BLOCK
6	8576625	LOCK, FRONT TOP (2)
7	8558830	PANEL, REAR
8	3404413	PLUG-HOLE (WHITE)
8	3404415	PLUG-HOLE (BISCUIT)
8	3404416	PLUG-HOLE (BLACK)
9	8568303	LOCATOR, SNAP DOWN
10	3978977	DOOR SWITCH ASSEMBLY
11	3389420	RETAINER, IDLER
12	8575027	SEAL, DOOR
13	342055	PAL NUT (4)
14	8578538	RESTRAINER, BELT
15	3394083	CLIP, FRONT PANEL (2)
16	279810	FOOT-OPTIONAL (NOT INCLUDED)
16	3392100	FOOT, DRYER
17	279318	TERMINAL, TINNED & BRASS (3) (INCLUDES ILLUS. 39)
18	8557569	CABINET (WHITE)
18	8572115	CABINET (BISCUIT)
18	W10045390	CABINET (BLACK)
19	W10076060	SEAL-WINDOW
20	3387374	SPRING, IDLER
21	8565029	PANEL, FRONT (WHITE)
21	8565031	PANEL, FRONT (BISCUIT)
21	8565032	PANEL, FRONT (BLACK)
22	8566208	SWITCH ASSEMBLY
23	660658	CLAMP, MOTOR
24	8572982	ASSEMBLY, DOOR CATCH
25	8578560	HOLE, PLUG (CABINET BASE)
26	3393008	SCREW, 10-16 X 1/2
27	3390631	SCREW, 8-18 X 1/2

28	8565018	HINGE, ASSEMBLY (WHITE)
28	W10050050	HINGE, ASSEMBLY (BISCUIT)
28	W10050090	HINGE, ASSEMBLY (BLACK)
29	8564011	BRACKET-SWITCH
30	8539897	BELT-SWITCH JUMPER
31	8533974	SCREW, GROUND
32	8575030	WINDOW, OUTER DOOR (WHITE)
32	8575049	WINDOW, OUTER DOOR (BLACK)
32	8575050	WINDOW, OUTER DOOR (BISCUIT)
33	8572983	STRIKE, DOOR
34	308499	PALNUT (10)
35	8565037	DOOR INNER (WHITE)
35	8575052	DOOR INNER (GREY)
36	W10116925	DOOR, OUTER (WHITE)
36	W10116926	DOOR, OUTER (BISCUIT)
36	W10116927	DOOR, OUTER (BLACK)
37	W10111246	DOOR HANDLE (WHITE)
37	W10111247	DOOR HANDLE (BISCUIT/GOLD)
37	W10111248	DOOR HANDLE (BLACK)
38	W10044490	SEAL, FRONT PANEL
39	279393	TERMINAL BLOCK KIT (FOR TERMINAL BLOCK)
40	342055	SCREW, 10-32 X 5/8
41	3397659	BLOCK, TERMINAL
42	8547174	PULLEY ASSEMBLY
43	8547168	BELT, DRIVE
44	8547166	BASE, MOTOR
45	W10002600	BOLT, 6-20 X 1 1/4
46	8578565	PULLEY, 60 HZ
47	8566152	MOTOR ASSEMBLY 60 HZ.
48	238088	HINGE, TOP (2)
49	8565015	GLASS, INNER DOOR
50	W10100830	SCREW, 10-16 X 3/64
51	18849	PAD, TOP HINGE

WED6400SW1 TABLERO



WIRING HARNESS PARTS				
26	15	18	27	25
				



WED6400SW1 TABLERO

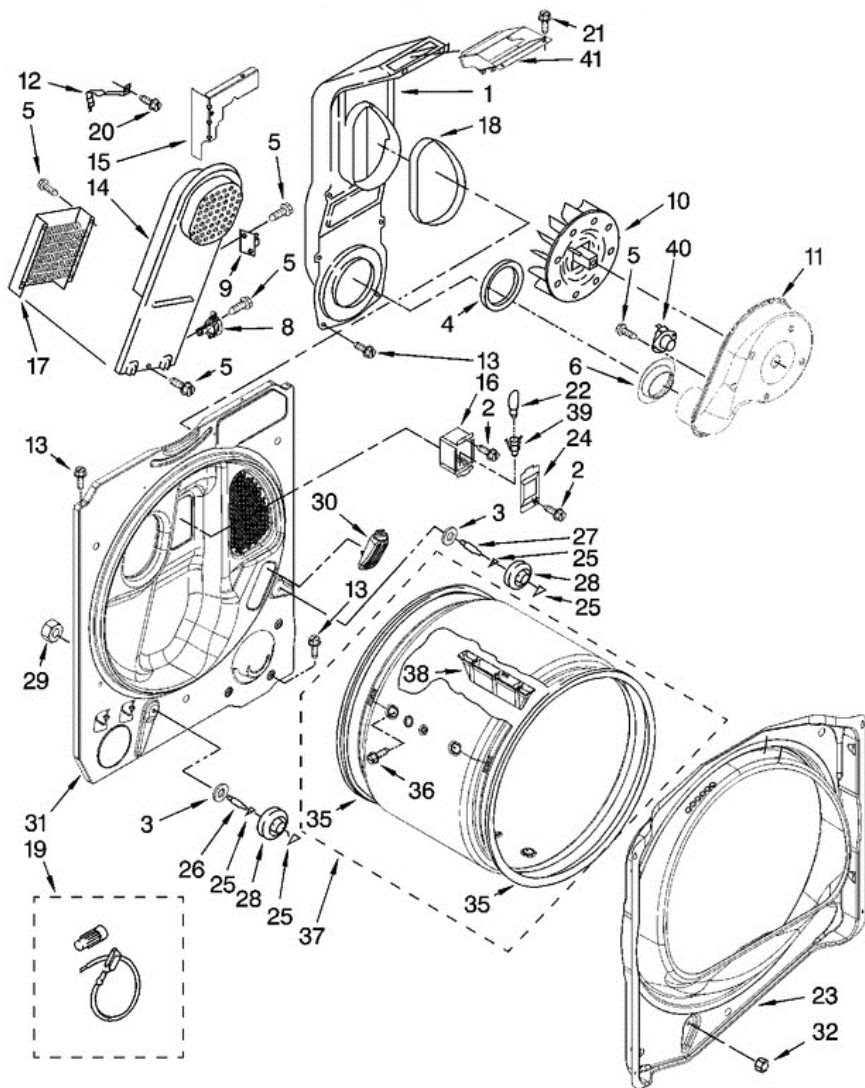
1	337686	SCREW, 8-18 X 7/16
2	8558863	BRACKET, CONSOLE
3	237446	WASHER (TOP/CHUTE)
4	8563974	USER INTERFACE
5	W10110325	PANEL, CONSOLE (WHITE)
5	W10110328	PANEL, CONSOLE (BISCUIT)
5	W10110330	PANEL, CONSOLE (BLACK)
6	3196537	SCREW, 8-18 X 5/8
7	8564265	COVER, REAR
8	W10003770	SCREW, 6-19 X 3/64
9	8574957	KNOB, ASSEMBLY (WHITE)
9	8574958	KNOB, ASSEMBLY (BISCUIT)
9	8574959	KNOB, ASSEMBLY (BLACK)
10	8572270	ASSEMBLY, LINT SCREEN
11	W10044320	COVER, LINT SCREEN (WHITE)
11	W10044330	COVER, LINT SCREEN (BISCUIT)
11	W10044360	COVER, LINT SCREEN (BLACK)
12	W10044470	HINGE, R.H.
12	W10044480	HINGE, L.H.
13	W10001580	SCREW
15	3395683	CONNECTOR (MOTOR)
16	8565025	TOP (WHITE)
16	8565027	TOP (BISCUIT)
16	8565028	TOP (BLACK)
17	W10111607	CONTROL, ELECTRONIC
18	3394427	CLIP-HARNESS
19	8563853	BRACKET, MACHINE CONTROLLER
22	8558853	GROMMET
23	8299914	HARNESS WIRING
25	3936144	CONNECTOR
26	94614	TERMINAL (FEMALE)
27	3397269	CONNECTOR, TIMER

Distribuidor Autorizado

SurteRápido.com

Venta de Refacciones
Electrodomesticas

WED6400SW1 TAMBOR





WED6400SW1 TAMBOR

1	8544805	LINT CHUTE ASSEMBLY
2	487909	SCREW, 8-15 X 1/2
3	3387459	WASHER, SUPPORT
4	347139	SEAL, LINT CHUTE
5	90767	SCREW, 8-18 X 3/8
6	8573836	SHIELD, EXHAUST
8	8566498	THERMOSTAT, HI-LIMIT
9	W10169881	KIT, THERMAL CUT-OFF (INCLUDES ILLUS. 8)
10	694089	WHEEL, BLOWER
11	8577230	HOUSING, BLOWER
12	8546149	CLIP-HEATER BOX
13	343641	SCREW, 10-16 X 1/2
14	8544801	BOX, HEATER
15	W10053480	BRACKET, LINT CHUTE
16	3977373	BRACKET, DRUM LIGHT
17	8573069	ELEMENT, HEATER
18	8544813	SEAL
19	279457	TERMINAL WIRE KIT
20	489463	SCREW, 8-18 X 5/8
21	3196537	SCREW
22	3406124	LIGHT BULB
23	8558890	BULKHEAD, FRONT
24	3402841	LENS, DRUM LIGHT
25	690997	RING, TRI
26	8575325	SHAFT, (L.H.)
27	8575324	SHAFT, (R.H.)
28	8536973	ROLLER, SUPPORT
29	W10001120	NUT, 3/8-16
30	8576468	ASSEMBLY, SENSOR
31	8557242	BULKHEAD, REAR
32	3934666	NUT, 3/8 X 16 (R.H.)
35	8557277	SEAL DRUM (2)
36	W10109200	SCREW, 11-16 X 3/4

37	8557270	DRUM, ASSEMBLY
38	8565688	BAFFLE, DRUM (2)
39	3403634	SOCKET ASSEMBLY
40	8577274	THERMISTOR
41	8544810	COLLAR, LINT CHUTE