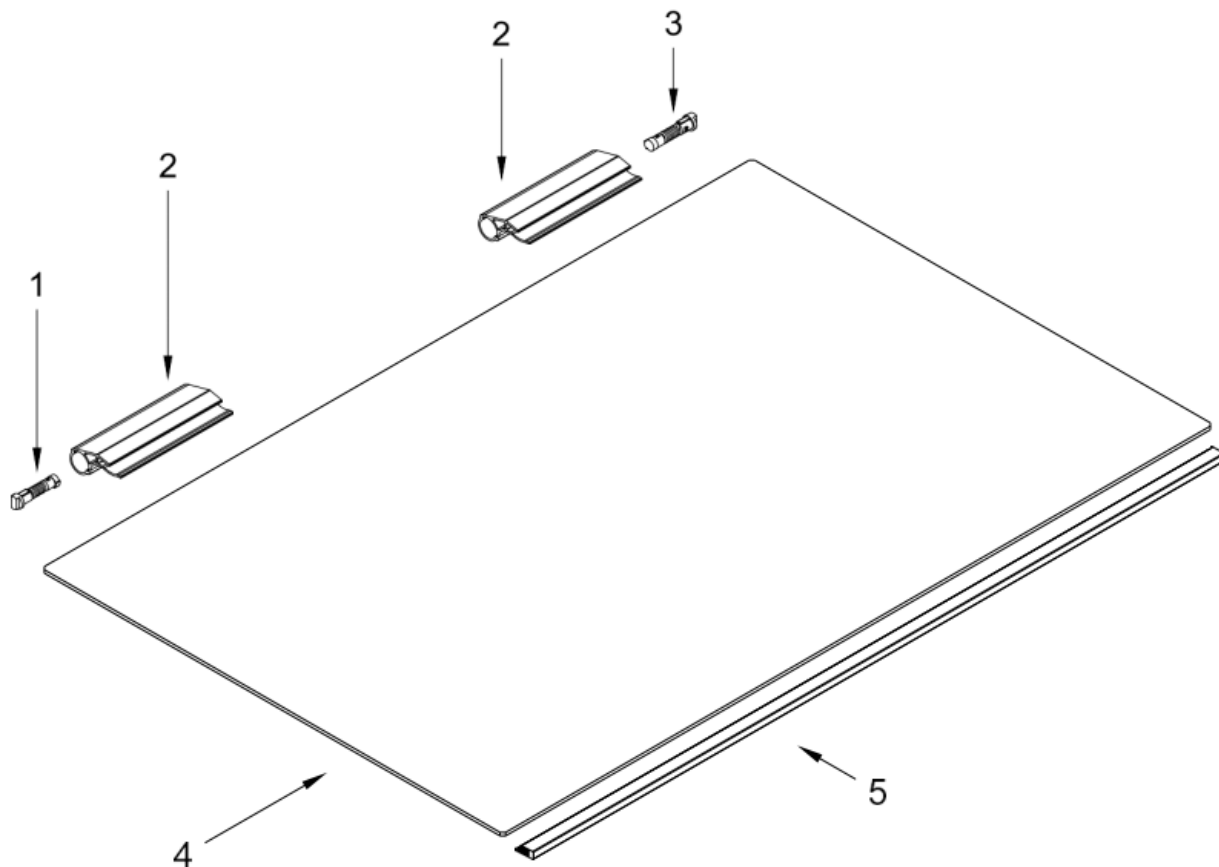
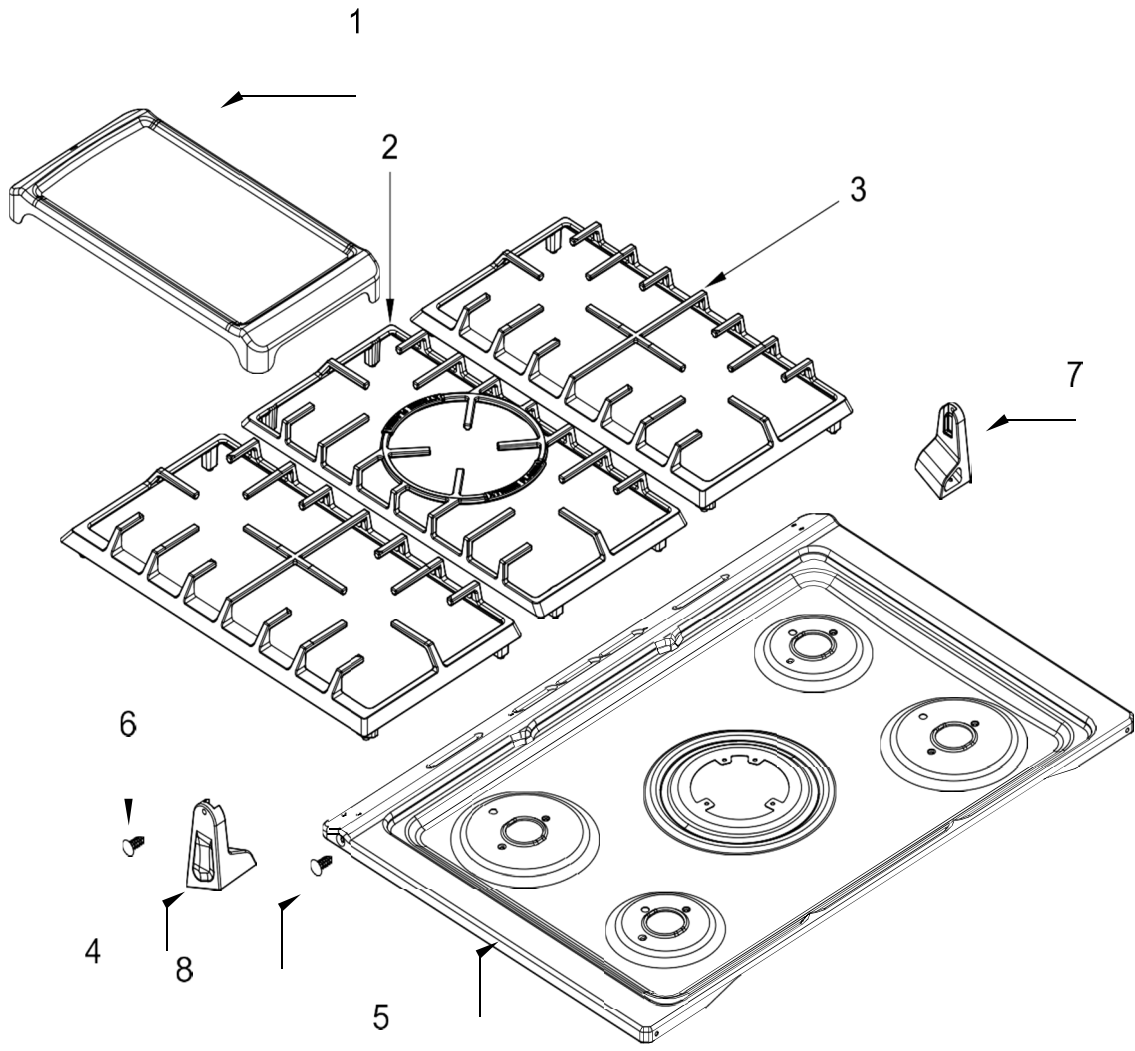


ESTUFA WHIRLPOOL WER9000S



No. Ilus.	No. de Parte	Descripción
1	W10206666	R.H. HINGE GLASS LID
2	W11162985	GLASS-LID, TRIM, MEDIUM
3	W10206667	L.H. HINGE GLASS LID
4	W11167749	GLASS-LID, GLASS, BI
5	W11167752	GLASS-LID, HANDLE, BI
6	W11083215	GLASS-LID, ASSY, SI, HANDLE, SC Capelo completo

ESTUFA WHIRLPOOL WER9000S



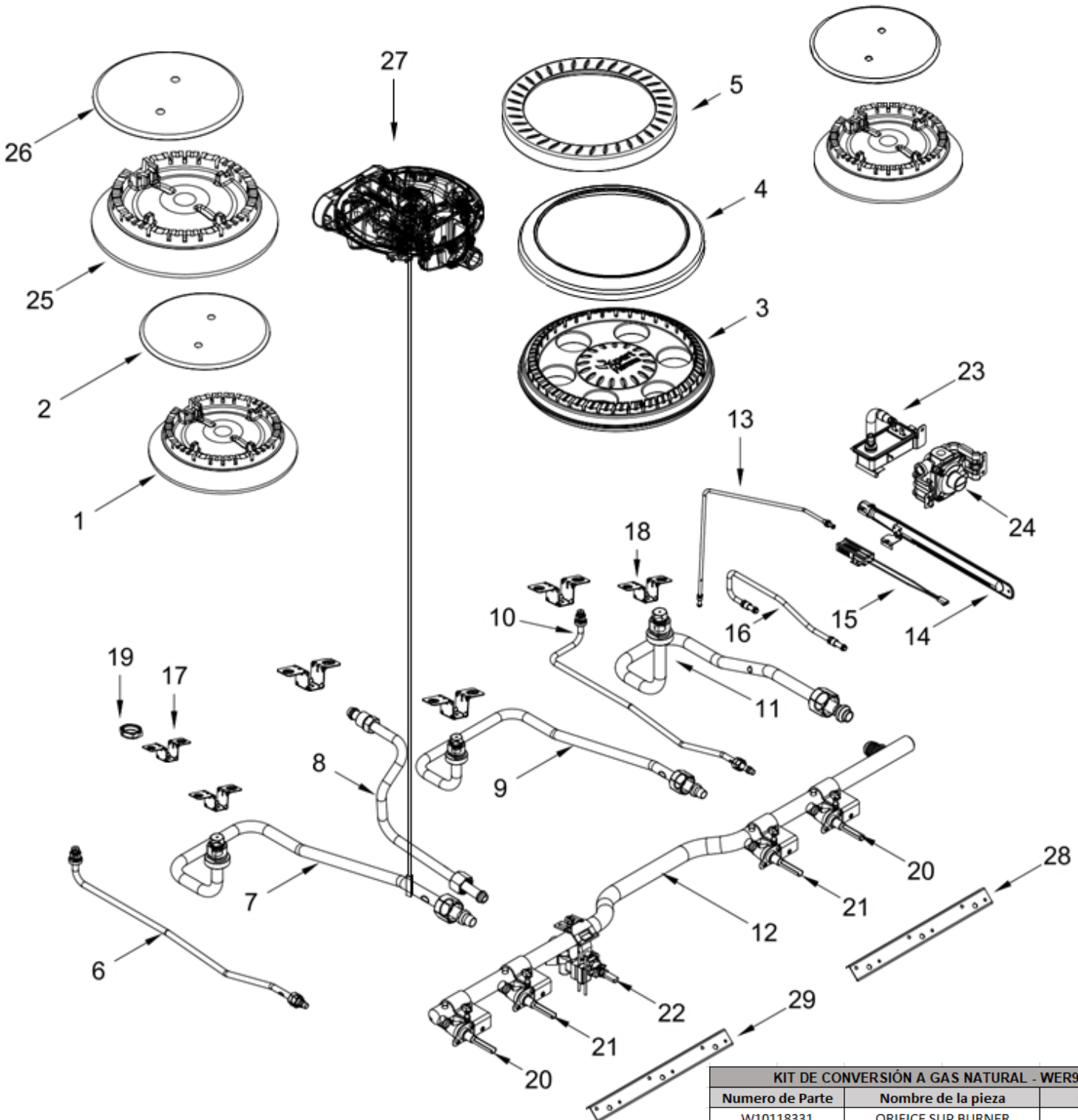
No. Ilus.	No. de Parte	Descripción
1	W10387433	GRIDDLE - STAMPED
2	W11181360	CAST IRON GRATE FLAT 5TH BURNER
3	W11170839	CAST IRON GRATE
4	W10546253	BRACKET - LS
5	W11088624	30" COOKTOP EBL BI DCC
6	W10663740	HOLE CLIP
7	W10546251	BRACKET - RS
8	98006632	TORNILLO

Distribuidor Autorizado

SurteRápido.com

Venta de Refacciones
Electrodomesticas

ESTUFA WHIRLPOOL WER9000S



KIT DE CONVERSIÓN A GAS NATURAL - WER9000S

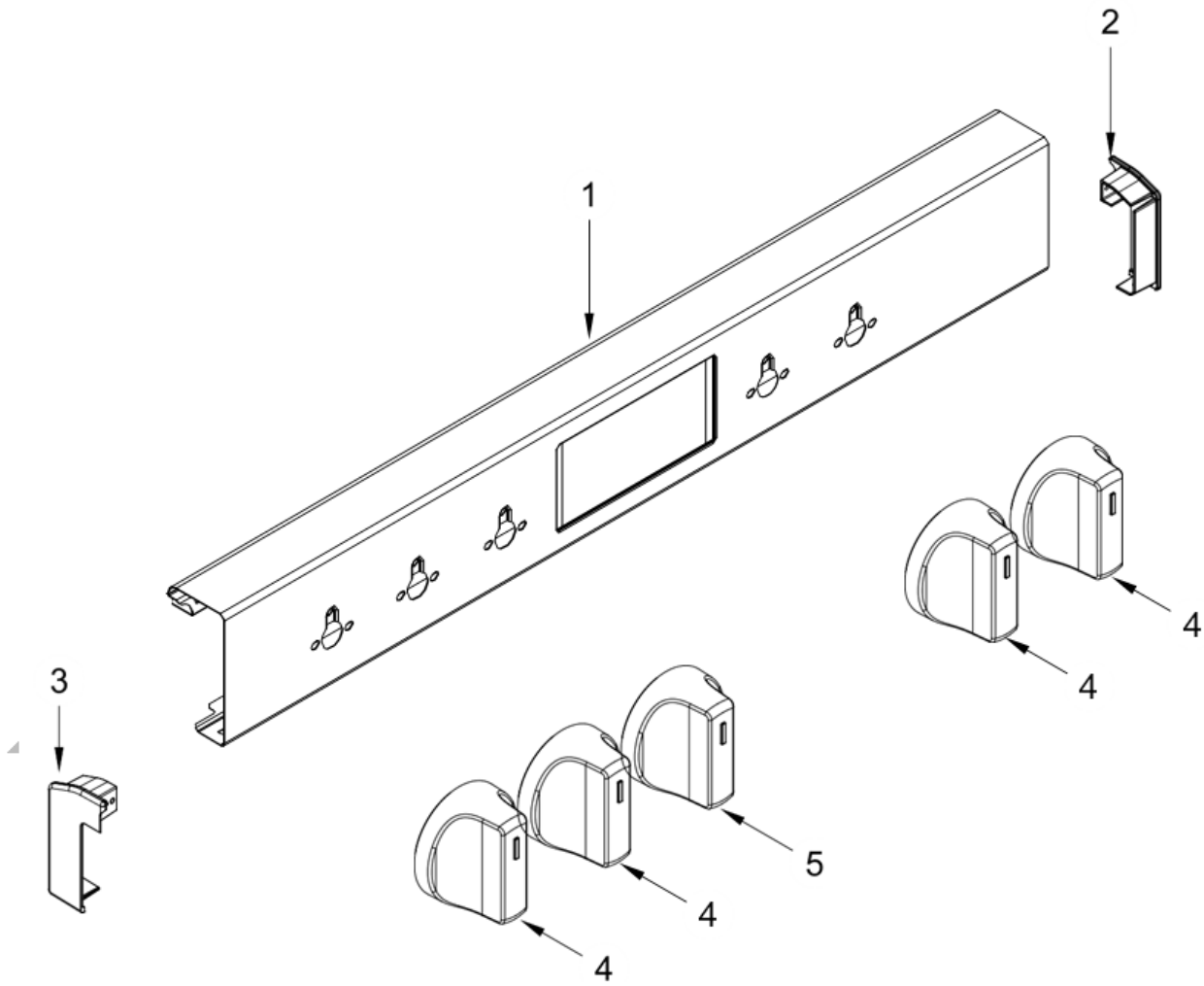
Numero de Parte	Nombre de la pieza	Cantidad
W10118331	ORIFICE SUP BURNER	1
W10132112	ORIFICE STD BURNER	2
W10716160	ORIFICE SUP HE BURNER	1
W10267026	ORIFICE OVEN BURNER	1
W10141712	VALVE FOR STD BURNER	2
W10141714	VALVE FOR SUP BURNER	1
W10141714	VALVE FOR SUP HE BURNER	1



ESTUFA WHIRLPOOL WER9000S

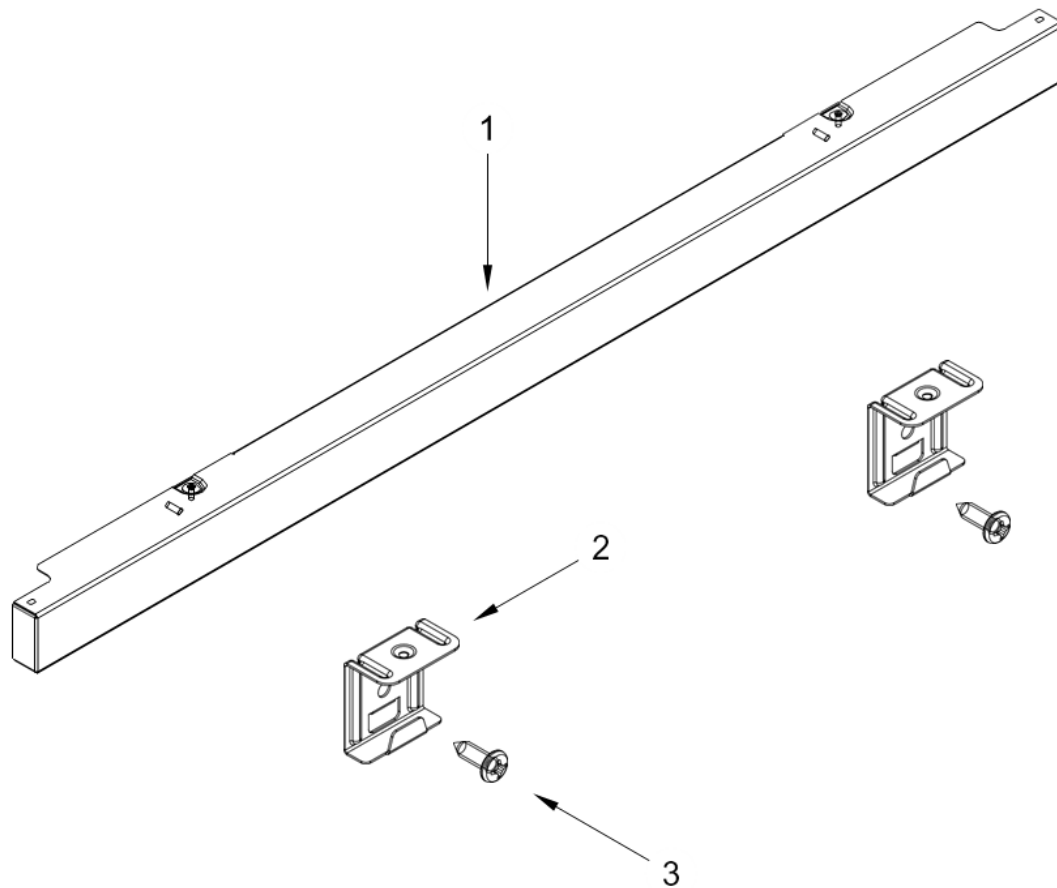
No. Ilus.	No. de Parte	Descripción
1	W10354371	STD BURNER (SANDBLASTED - CLEAR)
2	W10190267	STD BURNER CAP MATT BLACK
3	W10860540	SPREADER ASSY SUPER DAVINCI BURNER 2.0
4	W10744982	SUPER DAVINCI BUNER CAP WHSD
5	W10672379	CAP - DAVINCI SUPER BURNER
6	W10623396	REAR TUBING SUPER
7	W10623383	FRONT TUBING ASM.
8	W11314980	Central tubing assy int sup por dob BI
9	W11314981	Central tubing assy ext sup por dob
10	W10623386	REAR TUBING ASM Tubo trasero
11	W10866256	Front tubing assy - right sup he flat
12	W11297609	Manifold tube 2STD+2SUP+1SUP POW DUAL BI
13	W11343202	Tube Oven BI Tubing del horno
14	W10650358	OVEN BURNER ASM-US ELECTRONIC
15	W11208965	IGNITER - HOT SURFACE ELEMENT
16	W11252069	REGULATOR TO SAFETY VALVE BI
17	W10354300	BRACKET -SURFACE BURNER
18	W10702875	BRACKET SURF - DAV SUPERBURNER
19	W10610297	NUT
20	W10141712	VALVE SURFACE- PROPANE
21	W10141714	VALVE SURFACE - PROPANE
22	W10381658	DUAL VALVE
23	W10670152	SINGLE VALVE ASM,ELECTRIC-INVE LAR
24	W10678288	BRACKET & REGULATOR ELEC 7U.ASM LP 11/10
25	W10356319	SUPER BURNER SAND BLASTED CLEAR
26	W10190271	SUPER BURNER CAP MATT BLACK
27	W11088239	SUPER POWER BURNER DOUBLE
28	W11297306	BRACKET, LIGHTED-KNOB
29	W11405802	LEFT BRACKET,LK,HE,BI

ESTUFA WHIRLPOOL WER9000S



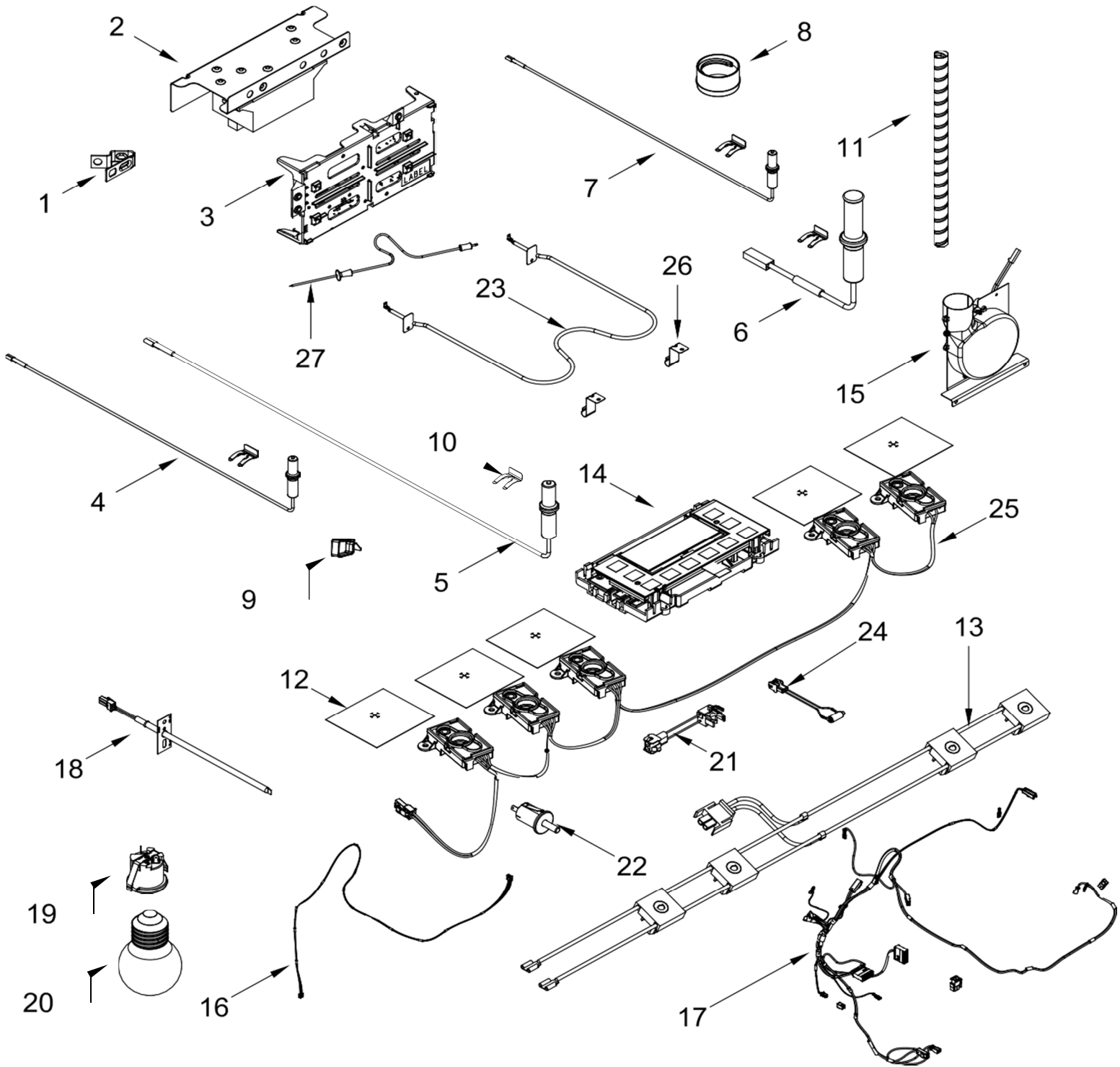
No. Ilus.	No. de Parte	Descripción
1	W11345491	Assy of UI and
2	W11298357	End cap BI 5B right
3	W11298358	End cap BI 5B left
4	W11046170	BABEL ILLUMINATI
5	W11100746	KNOB ASSY ILLUM
6	W10635401	FIBER GLASS

ESTUFA WHIRLPOOL WER9000S



No. Ilus.	No. de Parte	Descripción
1	W10500822	KICK PANEL ASM
2	W10394887	KICK PANEL BRAKET
3	W10493726	Screw Tornillo

ESTUFA WHIRLPOOL WER9000S





ESTUFA WHIRLPOOL WER9000S

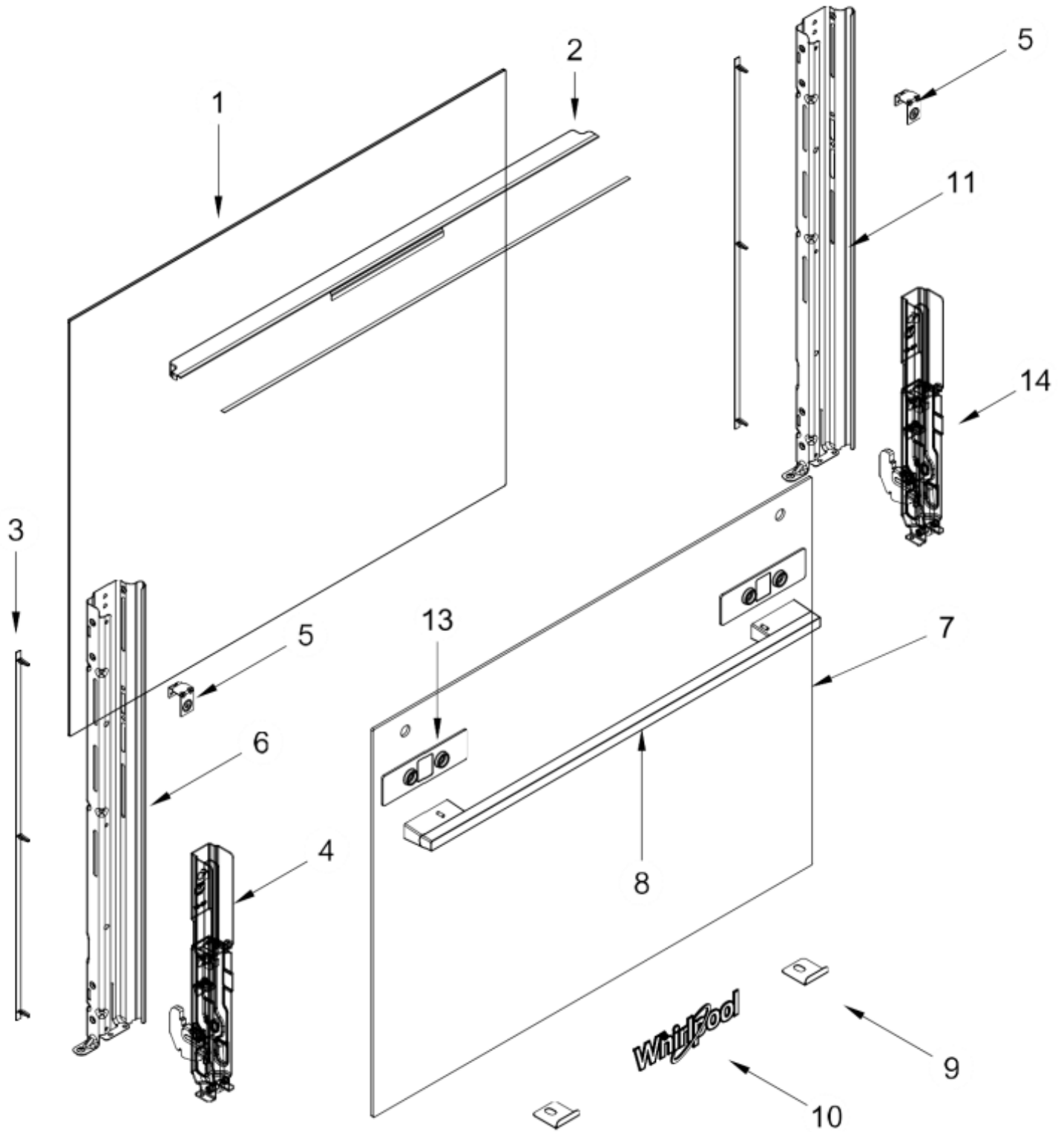
No. Ilus.	No. de Parte	Descripción
1	98005894	Clamp, Cord
2	W10816149	SPARK MODULE 5 POSITIONS ASSY
3	W11398848	CNTL-ASM,FSR, CHARLIE BABEL MX
4	W10381605	TOP ELECTRODE 350
5	W10381604	TOP ELECTRODE 500
6	W10736982	TOP ELECTRODE 740- HE BURNER
7	W10391625	TOP ELECTRODE 650
8	W11341520	HOSE COUPLER,G3EVO
9	98005896	Clip,Wire
10	W10822899	CLIP ELECTRODE SS
11	W10174487	COOLING DUCT
12	W10519553	COVER SWITCH PAPER
13	W11046714	SWITCH HARNESS5 POS DUAL VALVE
14	W11121700	G3EVO BABEL FLAGSHIP
15	W10391629	FAN BLOWER
16	W11046716	G3EVO / BABAGE COMM HARNESS
17	W11046711	MAIN HARNESS FLAGSHIP
18	W10586204	Sensor - RTD,WAKO
19	W10554269	Socket - Oven Light
20	W10788320	Bulb, Light
21	W10511641	SWITCH HARNESS - DUAL VALVE
22	98005765	SWITCHDOOR
23	W11295673	BROIL ELEMENT 1500W
24	W11295673	Jack, Meat Probe
25	W11325853	LIGHTED KNOB HARNESS ASSY
26	W10385340	OVEN ELEMENT SUPPORT
27	9755542	Probe, Temperature

Distribuidor Autorizado

SurteRápido.com

Venta de Refacciones
Electrodomesticas

ESTUFA WHIRLPOOL WER9000S





ESTUFA WHIRLPOOL WER9000S

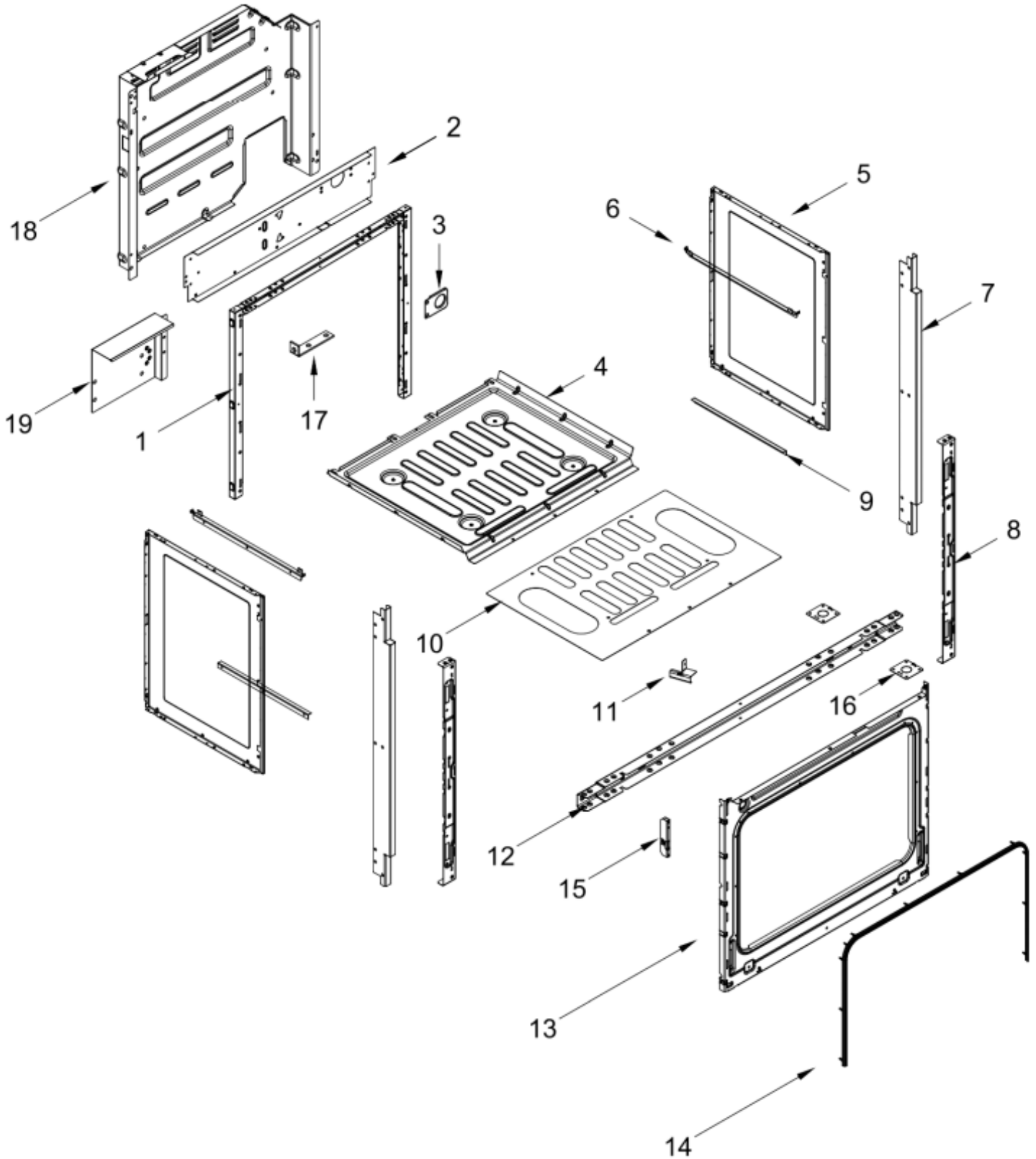
No. Ilus.	No. de Parte	Descripción
1	W10372163	ULTRA 30" DOOR GLASS INNER
2	W10544145	Upper Trim, Oven Door
3	W10292266	Seal, Inner Door
4	W10535788	Hinge, Oven Door
5	W11172799	DOOR REINFORCEMENT
6	W11184572	OVEN DOOR PILLAR LEFT BI S/O BABELFIN
7	W11095702	BI OUTER GLASS & LOWER TRIM ASM-MIRROR
8	W11281215	HANDLE ASM, ASPIRE 30, TAPPED
9	W10811550	BRACKET DOOR GLASS HOLDER BLACK
10	W10884775	Black
11	W11184576	OVEN DOOR PILLAR RIGHT BI S/O BABELFIN
12	W10479996	BRACKET RETAINER-FINISH
13	W11236228	ENDCAP-ASPIRE
14	W11115345	OVEN DOOR HINGE 9.6 KG
15	W11236668	Kit oven door Kit de la puerta del horno

Distribuidor Autorizado

SurteRápido.com

Venta de Refacciones
Electrodomesticas

ESTUFA WHIRLPOOL WER9000S

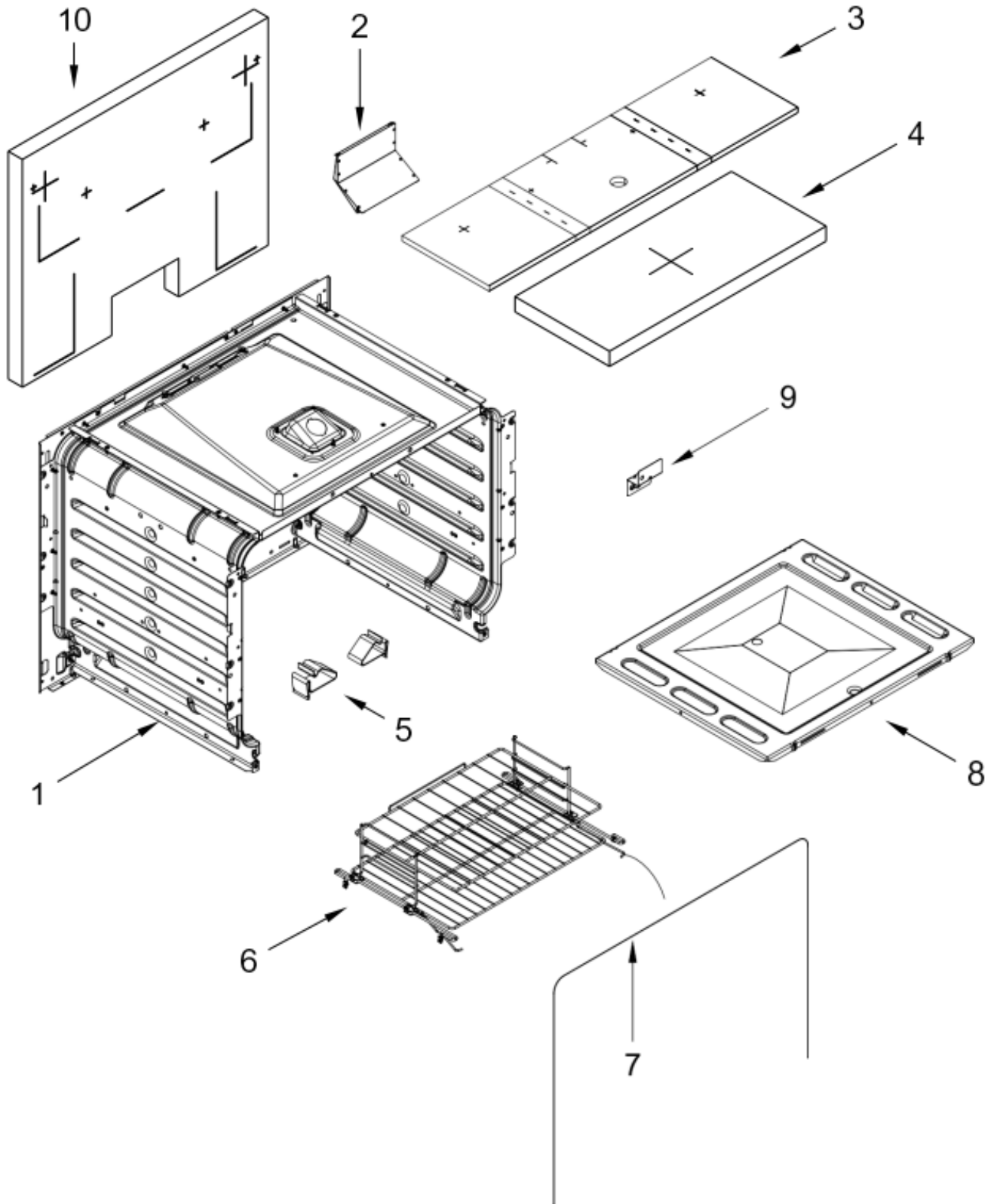




ESTUFA WHIRLPOOL WER9000S

No. Ilus.	No. de Parte	Descripción
1	W10494904	REAR FRAME ASM BI
2	W11183723	Bracket Safety Valve BI
3	W10381587	REAR MANIFOLD TUBE BRACKET
4	W10607830	OVEN BURNER DEFLECTOR 30" BI - W/HOLES
5	W10869208	SIDE PANEL BI FS 30" PAINT BLACK
6	W10429735	TOP SUPPORT BUILT-IN
7	W10327227	SIDE TRIM BUILT-IN FINISH
8	W10327220	FRONT VERTICAL PILLAR B/I
9	W10539013	TRIM SIDE PANEL REINFORCEMENT
10	W10607808	BASE BAFLE WITH HOLES - BI ENAMEL
11	W11234503	FRONT BRACKET -OVEN BURNER
12	W11172775	CROSS SUPPORT - 30" RAW
13	W10671689	FRONT FRAME 30" - FINISH W/ KNOCK OUT
14	W10759584	SEAL OVEN DOOR CS
15	W10327222	COUNTER SUPPORT - HINGE
16	W10364505	CORNER PLATE
17	W10604154	BRACKET SUPPORT CUT-OFF
18	W11259354	Cab Panel - Rear Guard
19	W11120008	Supply Source Guard BI

ESTUFA WHIRLPOOL WER9000S





ESTUFA WHIRLPOOL WER9000S

No. Ilus.	No. de Parte	Descripción
1	-	CAVITY ASM W/LIGHT F/S No refaccionable
2	W10389355	BUILT IN FLUE BOX - ASM
3	W11130754	Wrapper oven cavity insulation
4	W11181059	UPPERINSULATION COVER
5	98004722	2 Clip, Cooktop
6	W10550642	Rack, Oven
7	W11116641	KIT SLIDE OUT ECONOMIC - DD DOOR
8	W10764694	Bottom, Oven
9	W10381594	BRACKET - REAR, OVEN BURNER
10	W11291031	30" OVEN INSULATION BACK ULTRA USA UL