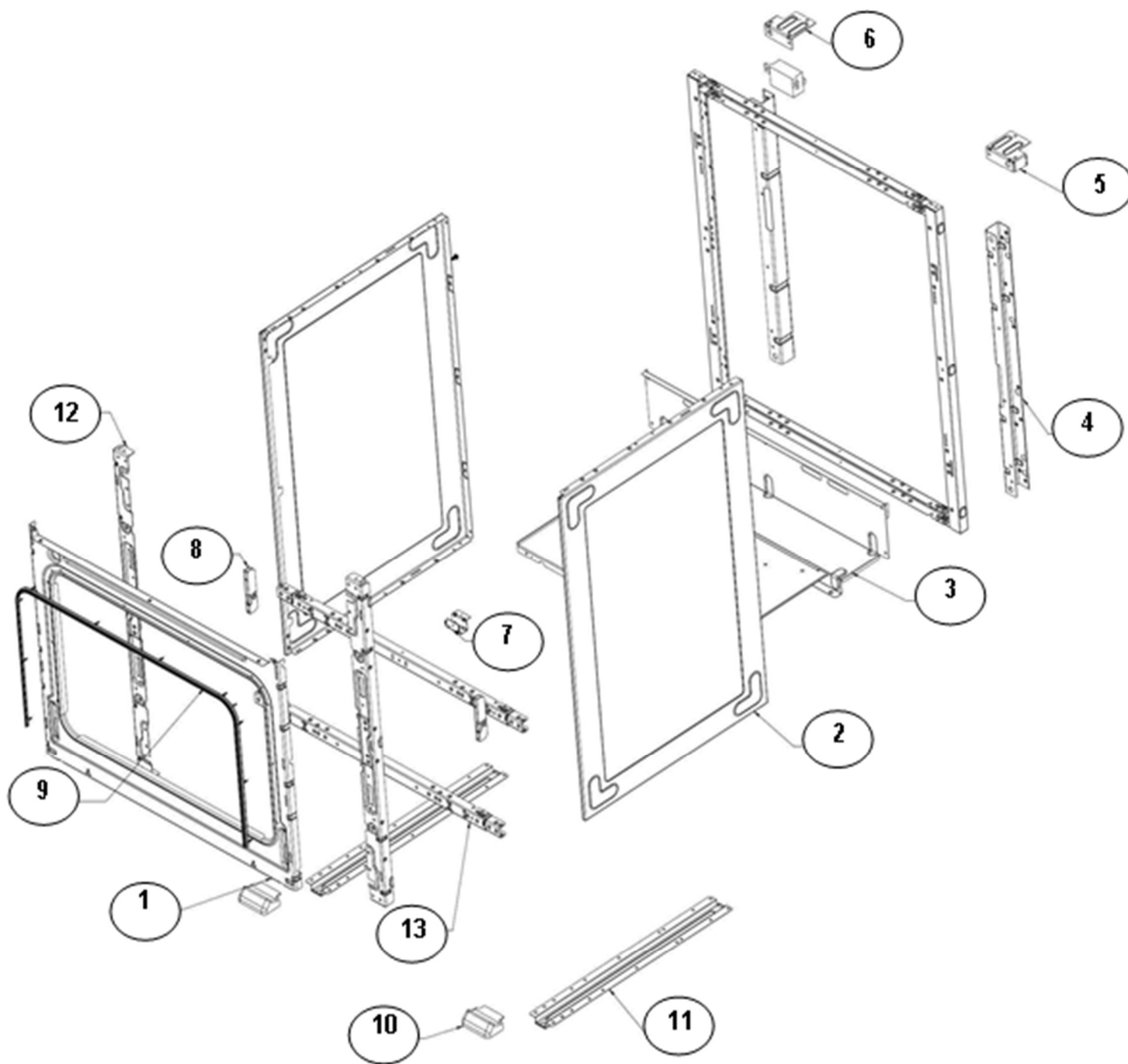
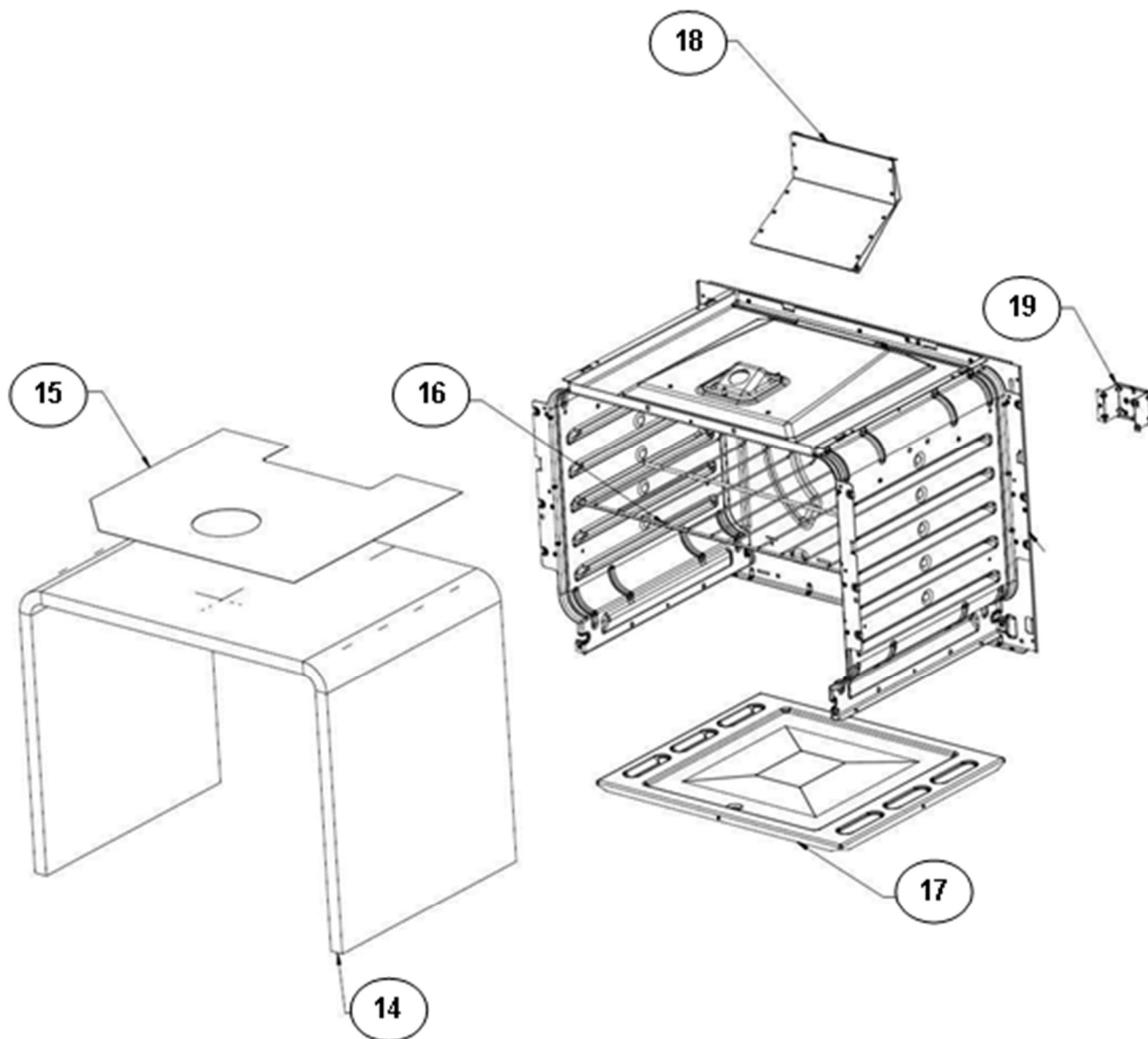
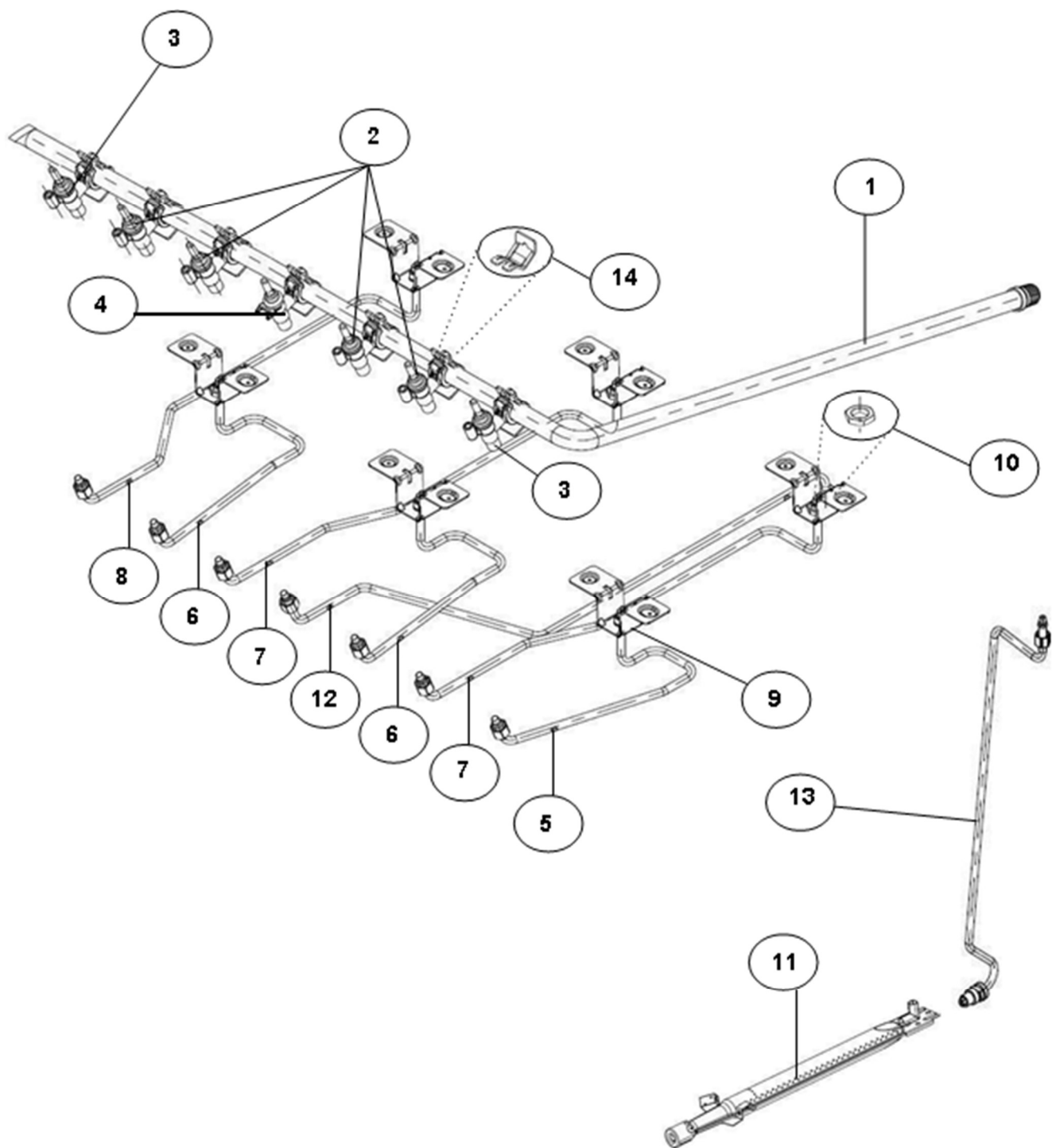


No. Ilus.	DESCRIPCIÓN	Cant	No. de Parte
1	COOKTOP	1	W10797984
2	FRONT PANEL EXTENTION	1	W10566801
3	FRONT CLIP COOKTOP	2	W10620563
4	SINGLE KNOB GRAY	7	W10387486
5	STD BURNER	6	W10354371
6	STD CAP BURNER	6	W10354292
7	WIRE GRATE SPIDER	3	W10614446
8	BACKGUARD ASM - UNIVERSAL STEEL	1	W10567133

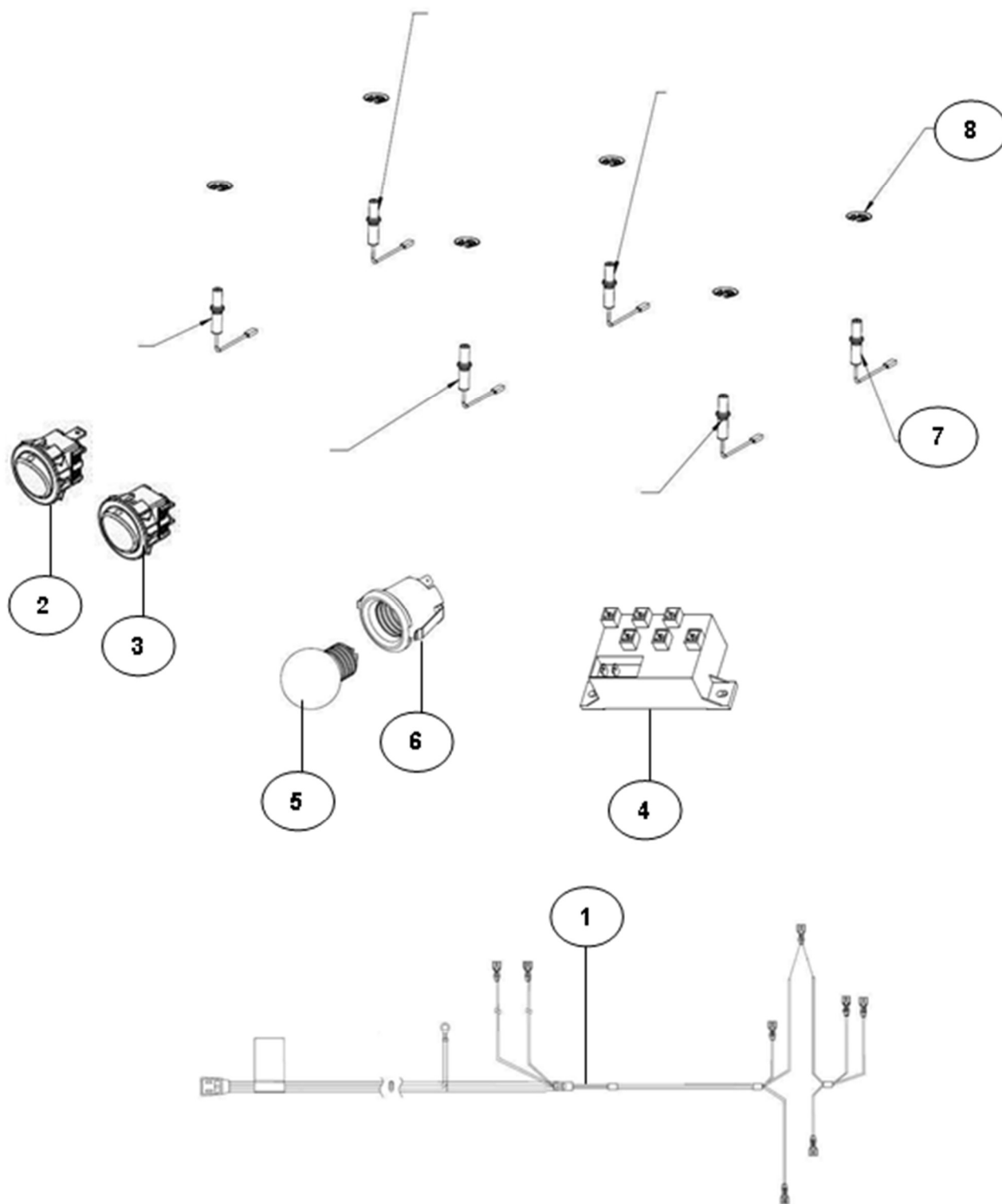




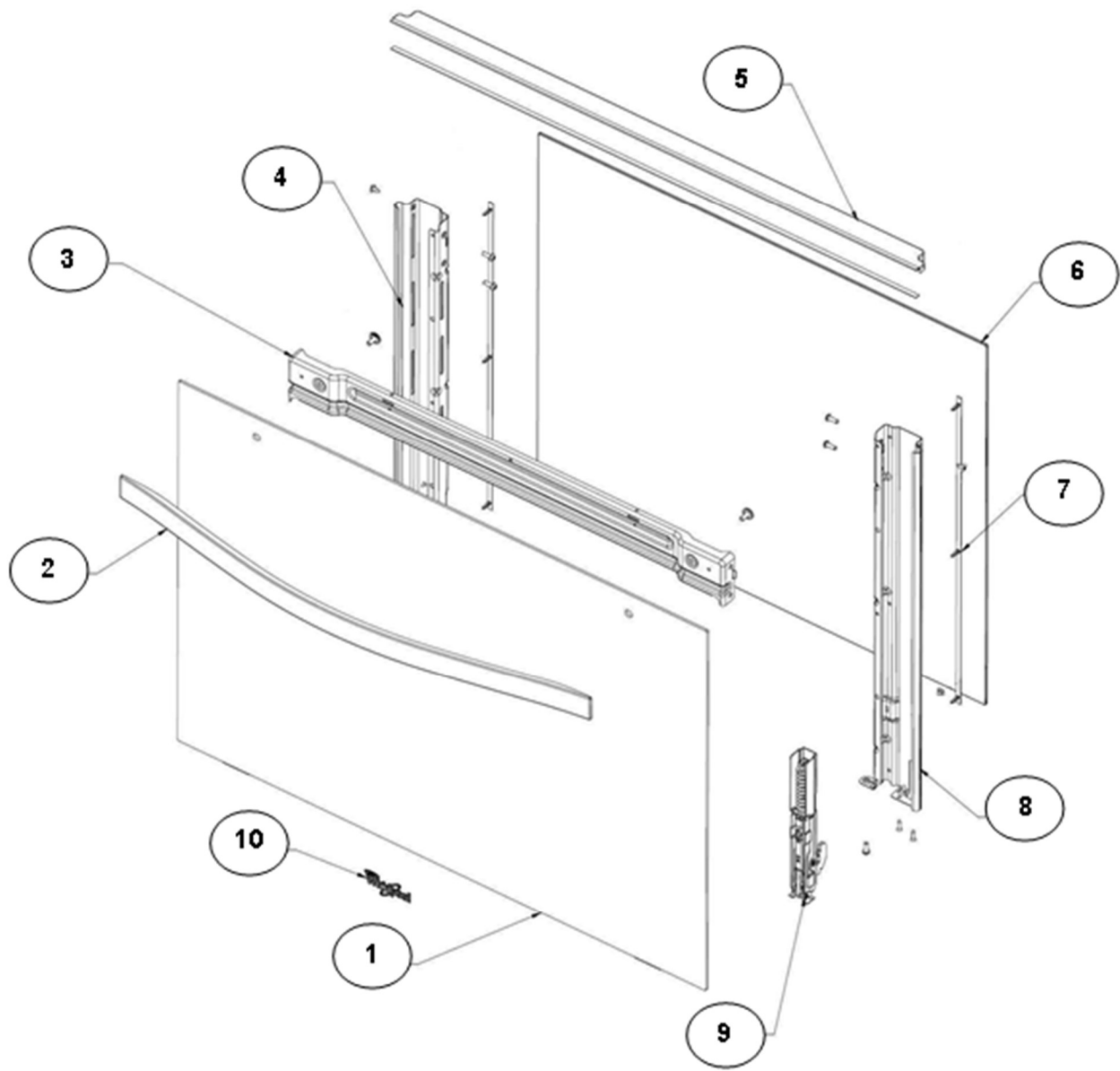
No.	<u>DESCRIPCIÓN</u>	<u>Cant</u>	<u>No. de Parte</u>
<u>Ilus.</u>		:	
1	FRONT FRAME	1	W10448073
2	SIDE PANEL - MIDNIGHT GREY	2	W10354874
3	BROIL BACK COVER	1	W10515063
4	C - BRACKET	2	W10358263
5	CORNER BRACKET RH	1	W10364813
6	CORNER BRACKET LF	1	W10446940
7	FRONT BRACKET OVEN BURNER	1	W10387513
8	COUNTER SUPPORT	2	W10327222
9	OVEN DOOR SEAL	1	W10759584
10	BASE CORNER FRONT	2	W10718549
11	BASE RAIL	2	W10446524
12	CROSS SUPPORT - 30"	2	W10327223
13	FRONT VERTICAL PILLAR F/S	2	W10354862
14	OVEN INSULATION WRAPPER 30"	1	W10364807
**	ALUMINUM FOIL ULTRA	**	**
16	OVEN RACK	1	W10550642
17	OVEN BOTTOM 30"	1	W10764694
18	FLUE BOX ASM	1	W10742507
19	BRACKET OVEN BURNER	1	W10381594



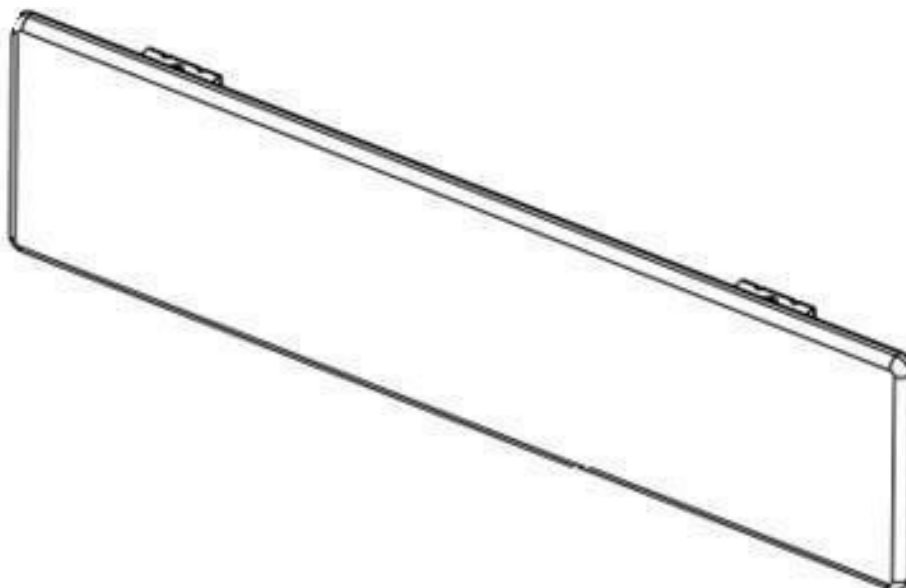
No. Ilus.	DESCRIPCIÓN	Cant .	No. de Parte
1	MANIFOLD TUBE	1	W10381640
2	VALVE SURF ZAMAK TUB.STD	6	W10452660
**	VALVE SURF ZAMAK TUB.SUP	**	**
4	VALVE THERMOC. 5 POS.	1	W10452676
5	FRONT TUBING ASM - SUP	1	W10805059
6	FRONT TUBING ASM - STD	2	W10494191
7	REAR TUBING ASM - STD	2	W10494192
8	REAR TUBING ASM - SUP	1	W10805061
9	BRACKET - SURFACE BURNER	6	W10354300
10	NUT BRACKET TUBING	6	98017323
11	OVEN BURNER	1	W10646982
12	OVEN TUBING BOTTOM	1	W10647686
**	TUBING ASSY BOTTOM - OVEN	**	**
14	SADDLE CONNECTION	7	W10075697
**	MANIFOLD TUBE ASSY	**	W10381628
**	KIT CONV NG	**	W10604731
**	KIT CONV LP	**	W10513460



No.	<u>DESCRIPCIÓN</u>	<u>Cant</u>	<u>No. de Parte</u>
<u>Ilus.</u>		:	
1	MAIN HARNESS F & F	1	W10754431
**	OVEN LIGHT SWITCH - SH GRY	**	**
3	IGNITION SWITCH SH GRAY	1	W10568375
4	SPARK MODULE 6 POS.	1	W10455035
**	OVEN BULB	**	**
**	SOCKET - OVEN LIGHT	1	**
	TOP ELECTRODE 740	1	W10391624
7	TOP ELECTRODE 650	2	W10391625
	TOP ELECTRODE 500	1	W10381604
	TOP ELECTRODE 350	2	W10381605
8	CLIP IGNITOR -TOP BURNER	6	w10822899



No. Ilus.	DESCRIPCIÓN	Cant .	No. de Parte
1	OUTER DOOR GLASS BLACK	1	W10548366
2	OVEN DOOR HANDLE	1	W10397442
3	OVEN DOOR CROSS SUPPORT	1	W10387343
4	OVEN DOOR PILLAR LEFT	1	W10445015
5	UPPER TRIM - OVEN DOOR	1	W10544145
6	INNER GLASS - OVEN DOOR	1	W10372163
7	INNER GLASS SEAL	2	W10292266
8	OVEN DOOR PILLAR RIGHT	1	W10445013
9	OVEN DOOR HINGE	2	W10420753
10	BADGE-WHIRLPOOL CENTENNIAL	1	W10481433
**	OVEN DOOR BLACK	**	W10565146



No. Ilus.	DESCRIPCIÓN	Cant.	No. de Parte
1	BROLIER LID	1	W10493741

KIT DE CONVERSION GAS NATURAL:	W10604731	
Componentes a solicitar:	W10132112 (6)	ORIFICE STD BURNER
	W10539375 (1)	ORIFICE OVEN BURNER
	W10452677 (1)	THERMOCONTROL
	W10452673 (6)	VALVE FOR STD BURNER



NOTA IMPORTANTE

Si el número de serie de la estufa a la cual se le realizará la conversión de gas comienza de la siguiente manera VE722XXXXX o en adelante, es decir, VE723XXXXX, VE724XXXXX etc. favor de solicitar el contenido del siguiente kit. En caso de que el número de serie comience de diferente manera favor de solicitar el kit de arriba

Componentes a solicitar:	W10874076 (1)	TUBING FRONTAL IZQUIERDO
	W10874077 (1)	TUBING TRASERO CENTRAL
	W10874076 (1)	TUBING DELANTERO CENTRAL
	W10874077 (1)	TUBING TRASERO DERECHO
	W10132112 (2)	ESPREA QUEMADOR ESTANDAR
	W10539375 (1)	ESPREA QUEMADOR HORNO
	W10452673 (6)	VALVULA QUEMADOR ESTANDAR
	W10452677 (1)	TERMOCONTROL