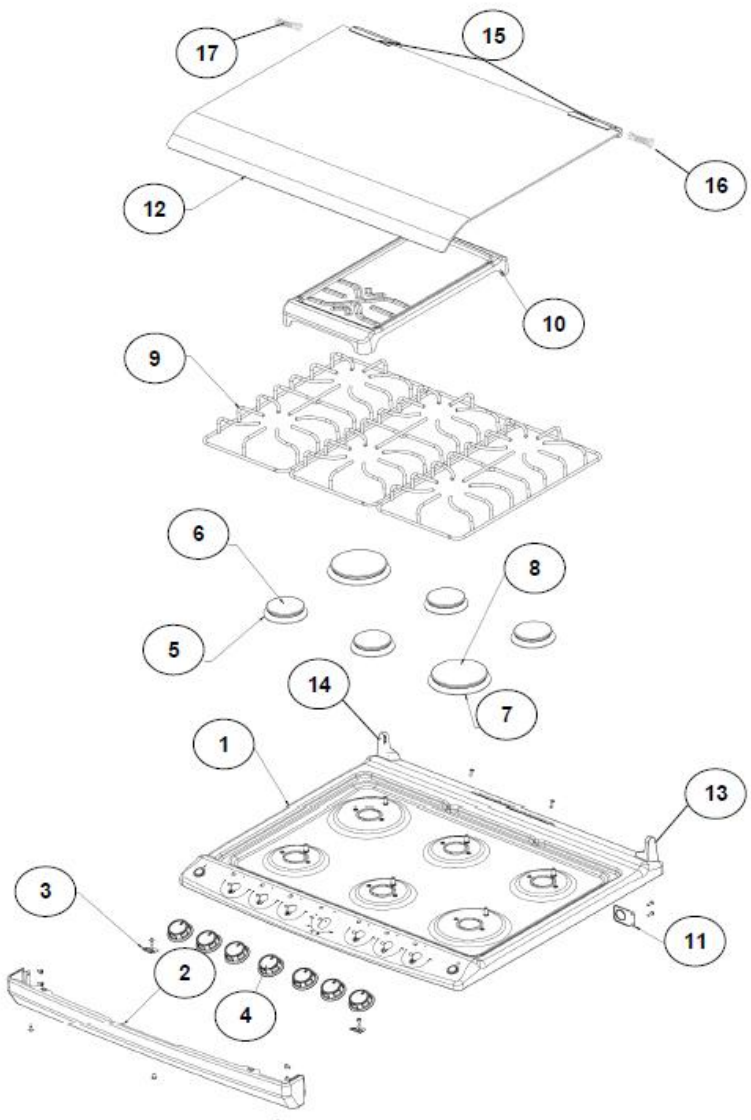


WF5350D00 CUBIERTA

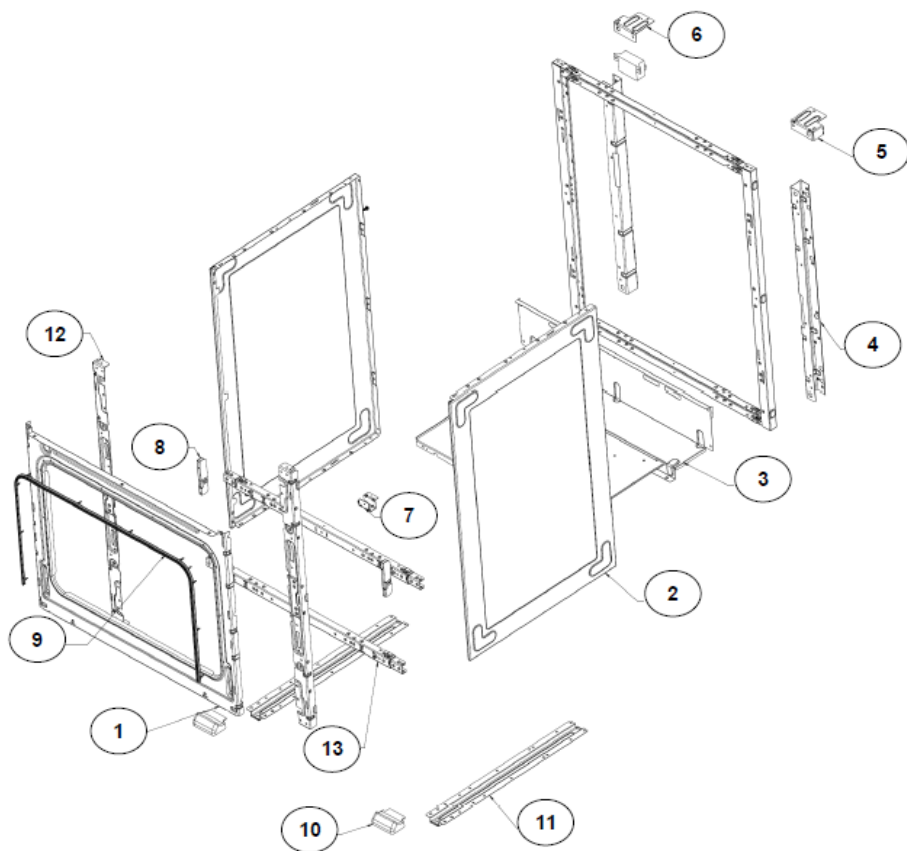




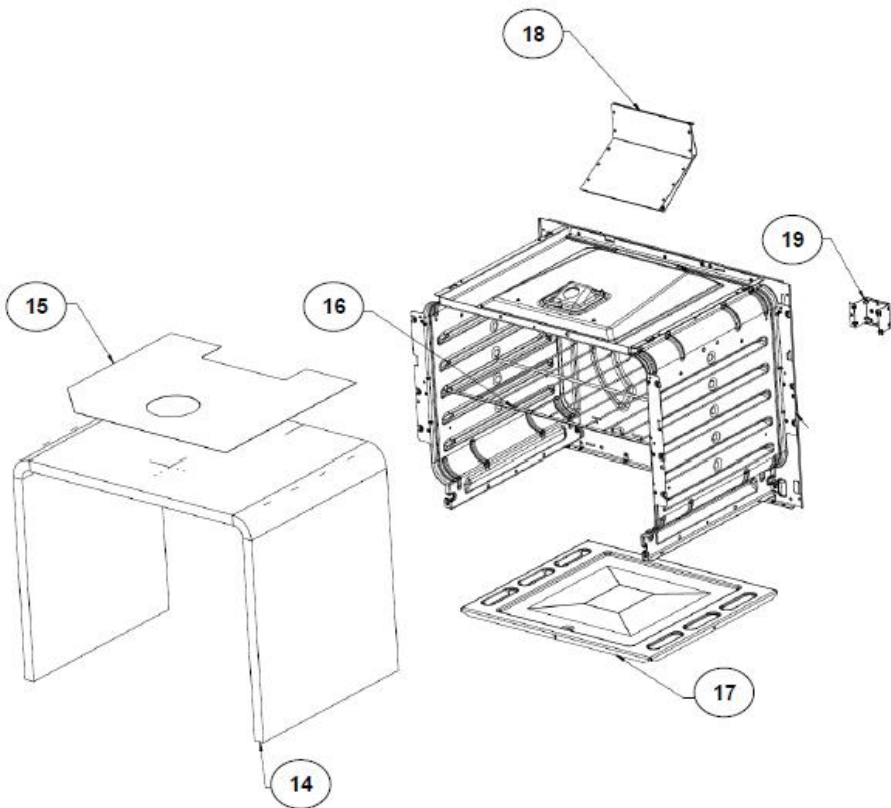
WF5350D00 CUBIERTA

1	W10497396	COOKTOP
2	W10444633	FRONT PANEL EXTENTION U STEEL
3	W10381674	FRONT CLIP COOKTOP
4	W10387486	SINGLE KNOB GRAY
5	W10354371	STD BURNER
6	W10354292	STD CAP BURNER
7	W10356319	SUPER BURNER
8	W10354293	SUPER BURNER CAP
9	W10504085	WIRE GRATE SPIDER
10	W10387432	GRIDDLE STAMPED
11	W10381587	BRACKET MANIFOLD TUBE
12	W10493879	GLASS LID ASSY
13	W10546251	BRACKET - RS, GLASS LID - BLACK
14	W10546253	BRACKET - LS, GLASS LID - BLACK
15	W10477615	TRIM - GLASS LID, SHORT
16	W10206666	R.H. HINGE GLASS LID
17	W10206667	L.H. HINGE GLASS LID
*	W10373346	BUMPER GLASS LID

WF5350D00 GABINETE



WF5350D00 GABINETE

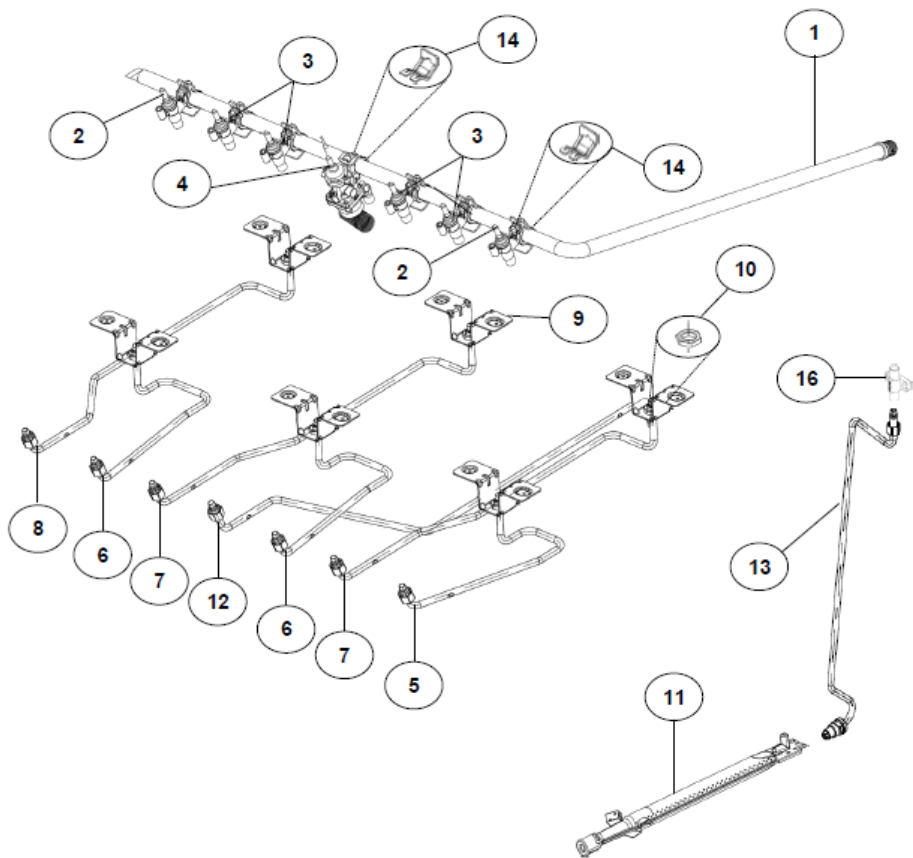




WF5350D00 GABINETE

1	W10448073	FRONT FRAME
2	W10354874	SIDE PANEL - MIDNIGHT GREY
3	W10515063	BROIL BACK COVER
4	W10358263	C - BRACKET
5	W10364813	CORNER BRACKET RH
6	W10446940	CORNER BRACKET LF
7	W10387513	FRONT BRACKET OVEN BURNER
8	W10327222	COUNTER SUPPORT
9	W10387044	OVEN DOOR SEAL
10	W10498418	BASE CORNER FRONT
11	W10446524	BASE RAIL
12	W10327223	CROSS SUPPORT - 30"
13	W10354862	FRONT VERTICAL PILLAR F/S
14	W10364807	OVEN INSULATION WRAPPER 30"
15	W10446939	ALUMINUM FOIL ULTRA
16	W10364804	OVEN RACK
17	W10448075	OVEN BOTTOM 30"
18	W10386485	FLUE BOX ASM
19	W10381594	BRACKET OVEN BURNER

**WF5350D00 SISTEMA DE
COMBUSTION**

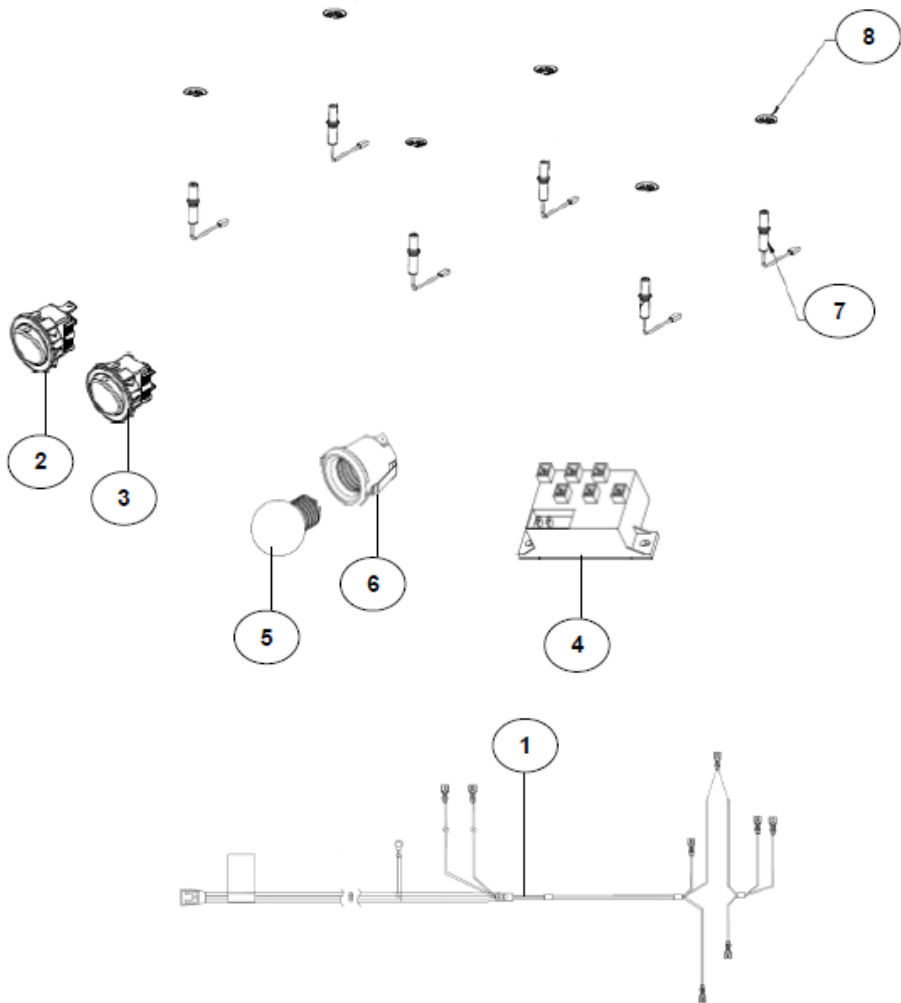




WF5350D00 SISTEMA DE COMBUSTION

1	W10381640	MANIFOLD TUBE
2	W10452673	VALVE SURF ZAMAK TUB.SUP
3	W10452660	VALVE SURF ZAMAK TUB.STD
4	W10452676	THERMOCONTROL
5	W10381607	FRONT TUBING ASM - SUP
6	W10381608	FRONT TUBING ASM - STD
7	W10381610	REAR TUBING ASM - STD
8	W10387480	REAR TUBING ASM - SUP
9	W10354300	BRACKET - SURFACE BURNER
10	98017323	NUT BRACKET TUBING
11	W10477593	OVEN BURNER
12	W10387482	OVEN TUBING - UPPER THERMOCONTROL
13	W10381596	TUBING ASSY BOTTOM - OVEN
14	W10075697	SADDLE CONNECTION
15	W10387478	OVEN TUBING CONNECTOR
*	W10381628	MANIFOLD TUBE ASSY
*	W10513462	KIT CONV NG
*	W10513460	KIT CONV LP

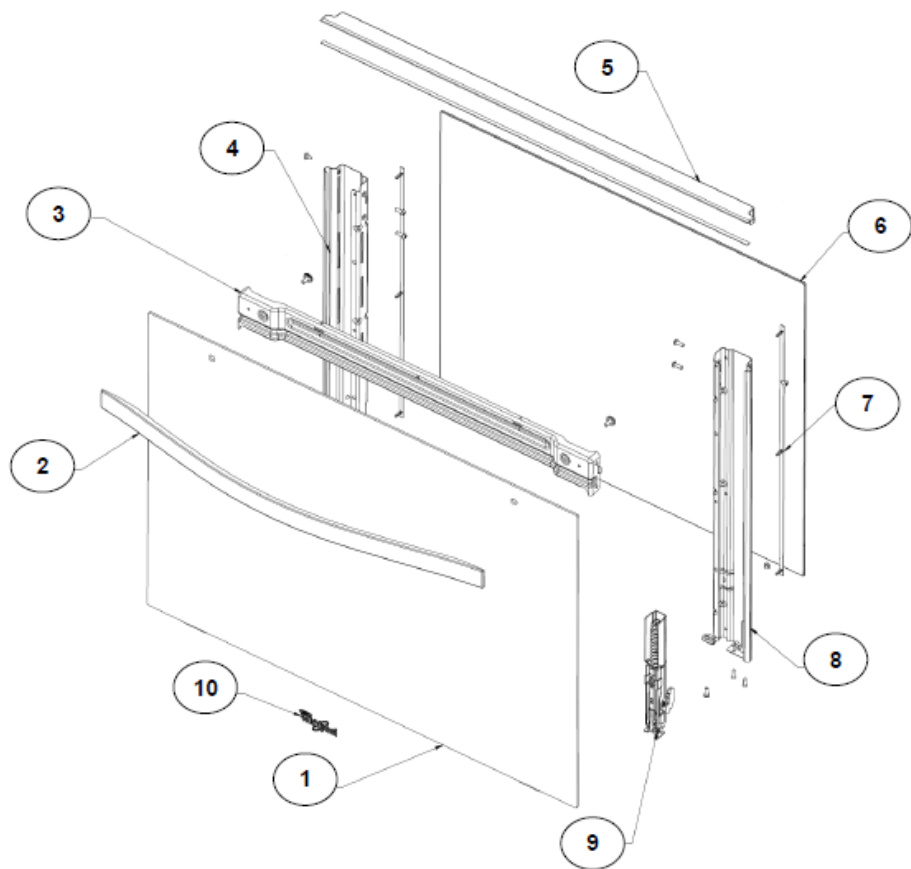
WF5350D00 SISTEMA ELECTRICO





WF5350D00 SISTEMA ELECTRICO

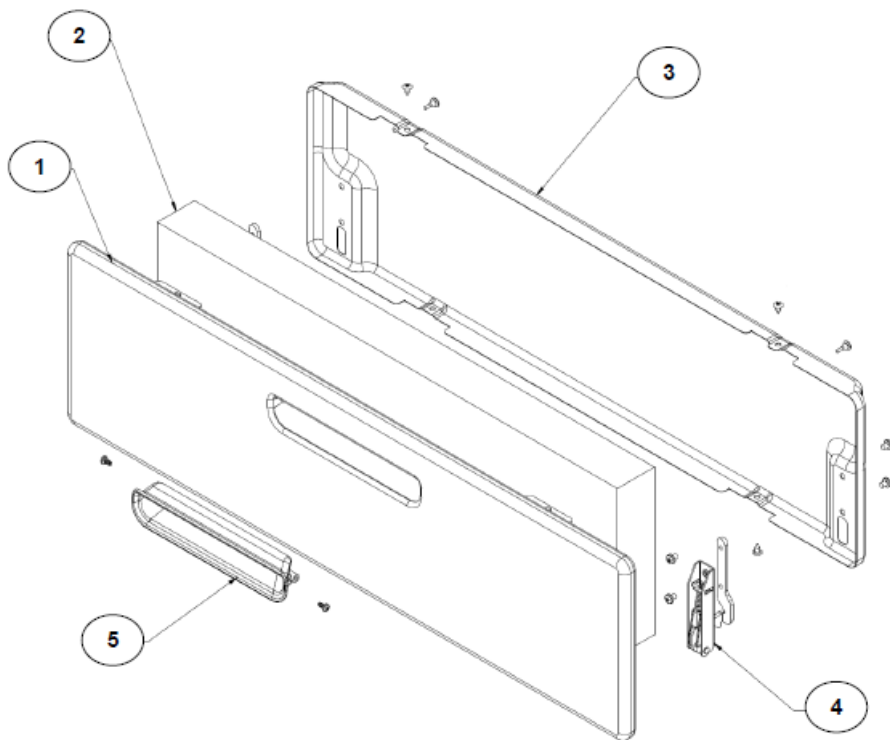
1	W10381597	MAIN HARNESS F & F
2	W10446869	OVEN LIGHT SWITCH - SH GRY
3	W10446870	IGNITION SWITCH SH GRAY
4	W10455035	SPARK MODULE 6 POS.
5	W10452019	OVEN BULB
6	W10114530	SOCKET - OVEN LIGHT
7	W10391624	TOP ELECTRODE 740
	W10391625	TOP ELECTRODE 650
	W10381604	TOP ELECTRODE 500
	W10381605	TOP ELECTRODE 350
8	W10422212	CLIP IGNITOR -TOP BURNER





WF5350D00 PUERTA HORNO

1	W10364250	OUTER GLASS ASM U.S.L.
2	W10397442	OVEN DOOR HANDLE
3	W10387343	OVEN DOOR CROSS SUPPORT
4	W10445015	OVEN DOOR PILLAR LEFT
5	W10527324	UPPER TRIM - OVEN DOOR
6	W10372163	INNER GLASS - OVEN DOOR
7	W10292266	INNER GLASS SEAL
8	W10445013	OVEN DOOR PILLAR RIGHT
9	W10420753	OVEN DOOR HINGE
10	W10481433	BADGE-WHIRLPOOL CENTENNIAL
*	W10493696	OVEN DOOR UNIVERSAL S.L.





WF5350D00 PUERTA ASADOR

1	W10446632	OUTER BROILER DOOR - UNIVERSAL STEEL
2	W10075717	INSULATION - BROILER DOOR 30"
3	W10446851	30" INNER BROILER DOOR
4	W10444702	BROILER DOOR HINGE
5	W10495568	HANDLE - BROILER DOOR, SHADOW GRAY
*	W10493744	BROILER DOOR ASM - UNIVERSAL STEEL