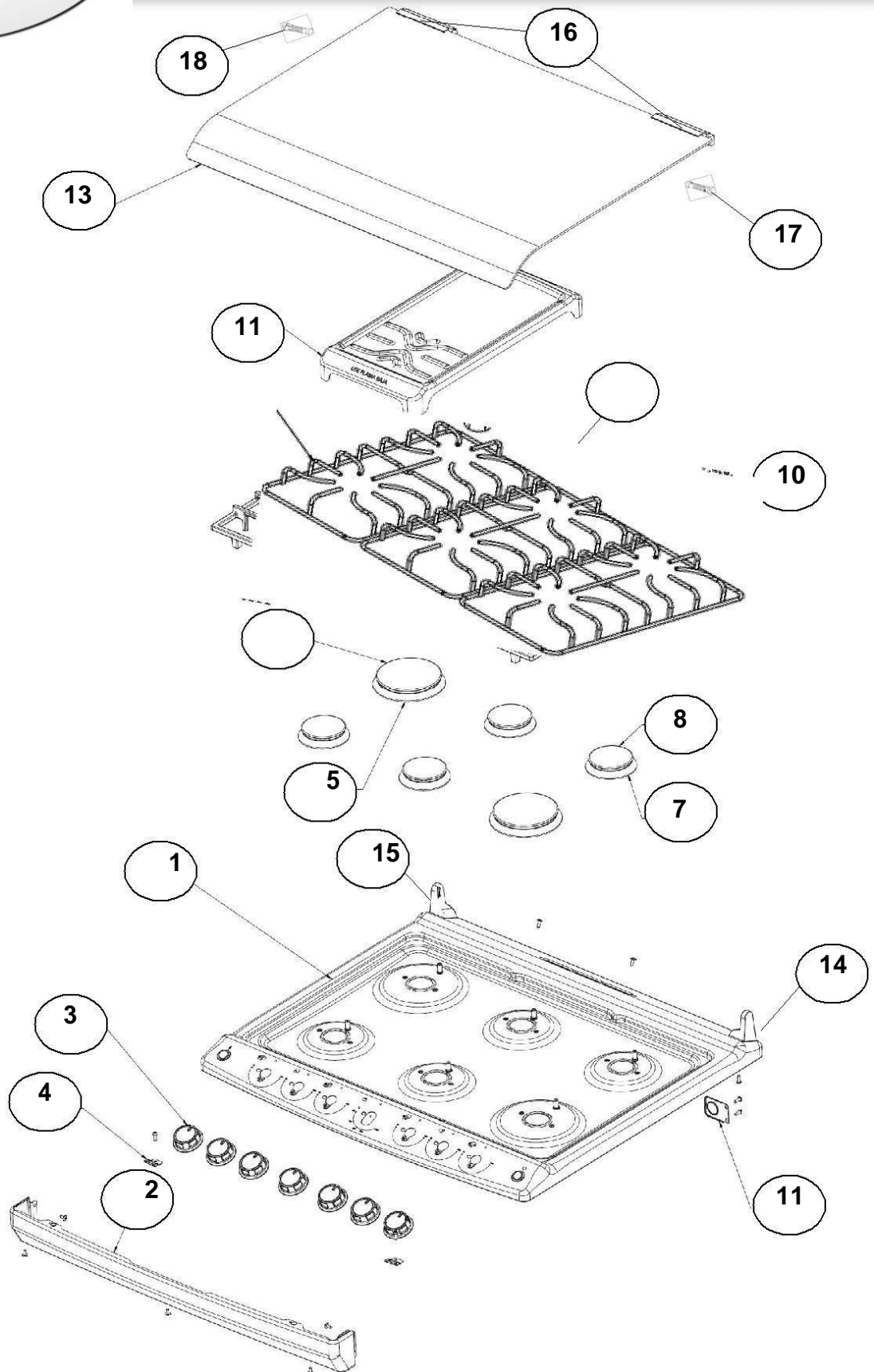


EXPLOSIONADO DE PARTES

— ESTUFA NACIONAL —

MODELO | WF5955S00

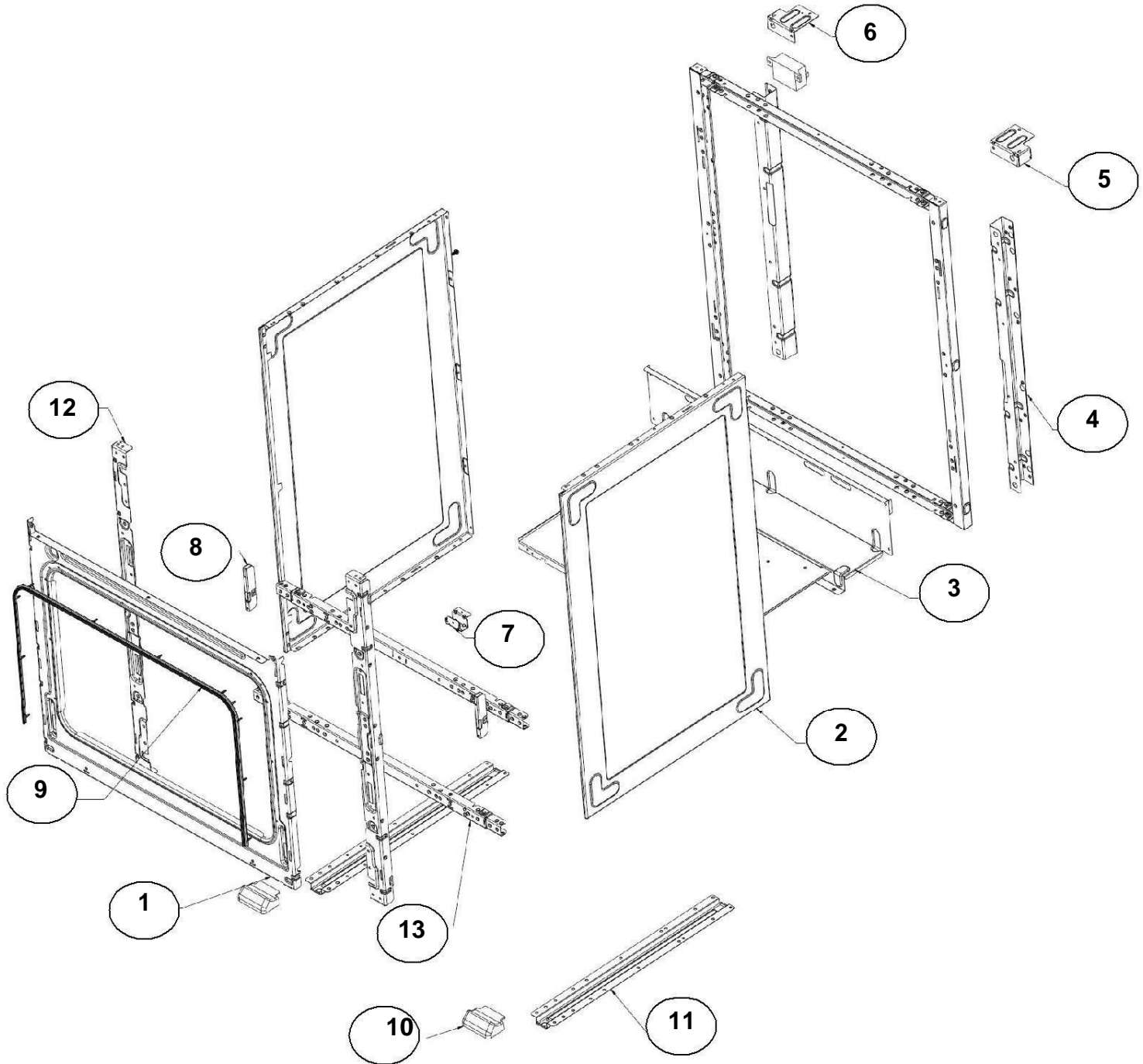
ESTUFA WF5955S00

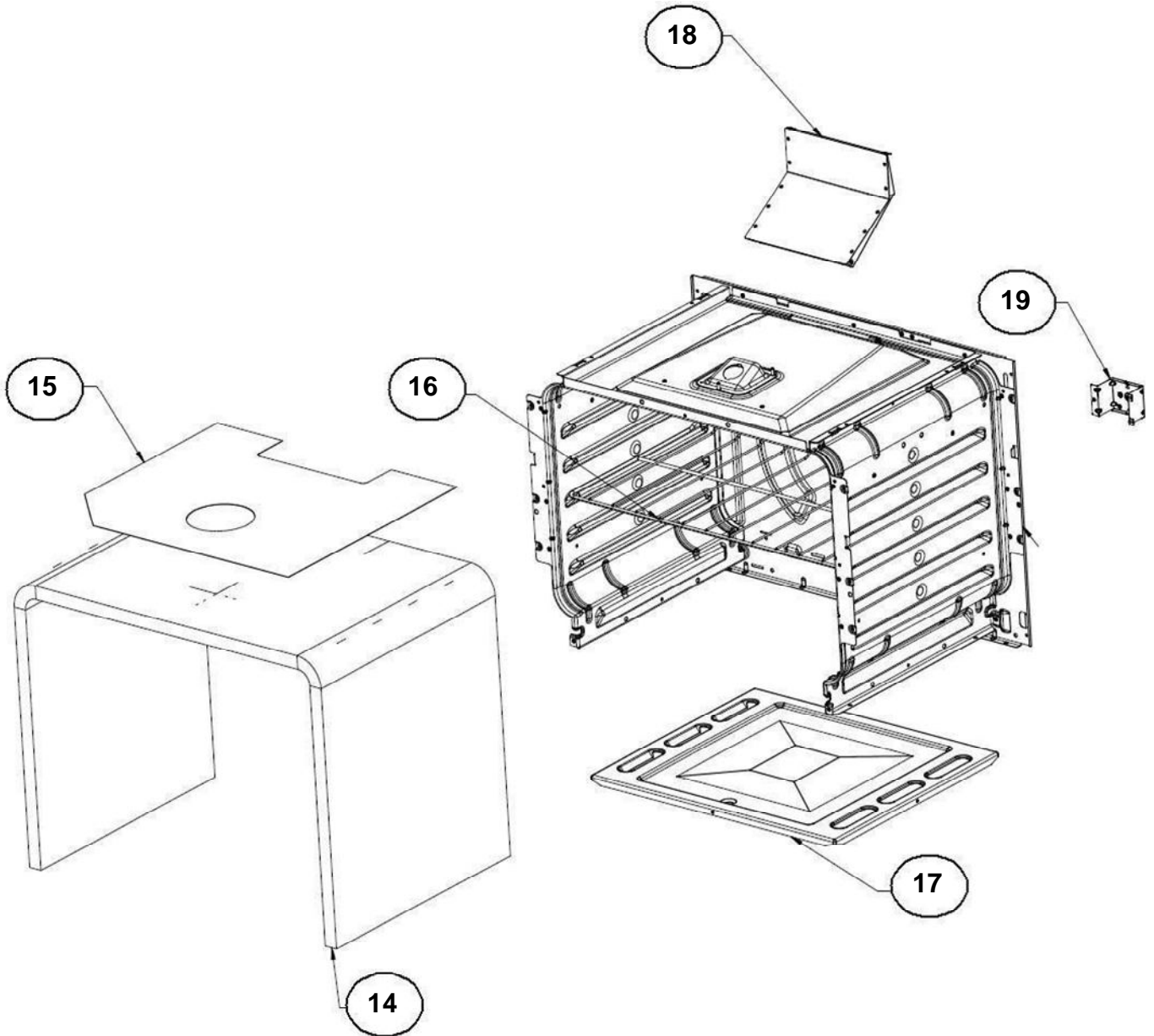


ESTUFA WF5955S00

<u>No. Ilus.</u>	<u>DESCRIPCIÓN</u>	<u>Cant.</u>	<u>No. de Parte</u>
1	COOKTOP	1	W10497396
2	FRONT PANEL EXTENTION SS	1	W10604155
3	FRONT CLIP COOKTOP	2	W10620563
4	SINGLE KNOB GRAY	7	W10387486
5	STD BURNER	4	W10354371
6	STD CAP BURNER	4	W10354292
7	SUPER BURNER	2	W10356319
8	SUPER BURNER CAP	2	W10354293
9	GRATE CENTRAL CAST IRON	1	W10469928
10	GRATE LATERAL CAST IRON	2	W10469929
11	GRIDDLE STAMPED-ENAMEL	1	W10387432
12	BRACKET MANIFOLD TUBE	1	W10381587
13	GLASS LID ASSY	1	W10625931
14	BRACKET - LS, GLASS LID - BLACK	1	W10546253
15	BRACKET - RS, GLASS LID - BLACK	1	W10546251
16	TRIM - GLASS LID, SHORT	2	W10477615
17	R.H. HINGE GLASS LID	1	W10206666
18	L.H. HINGE GLASS LID	1	W10206667
**	BUMPER GLASS LID	2	*****
	TORNILLO CUBIERTA QUEMADOR	*	W10146346

ESTUFA WF5955S00

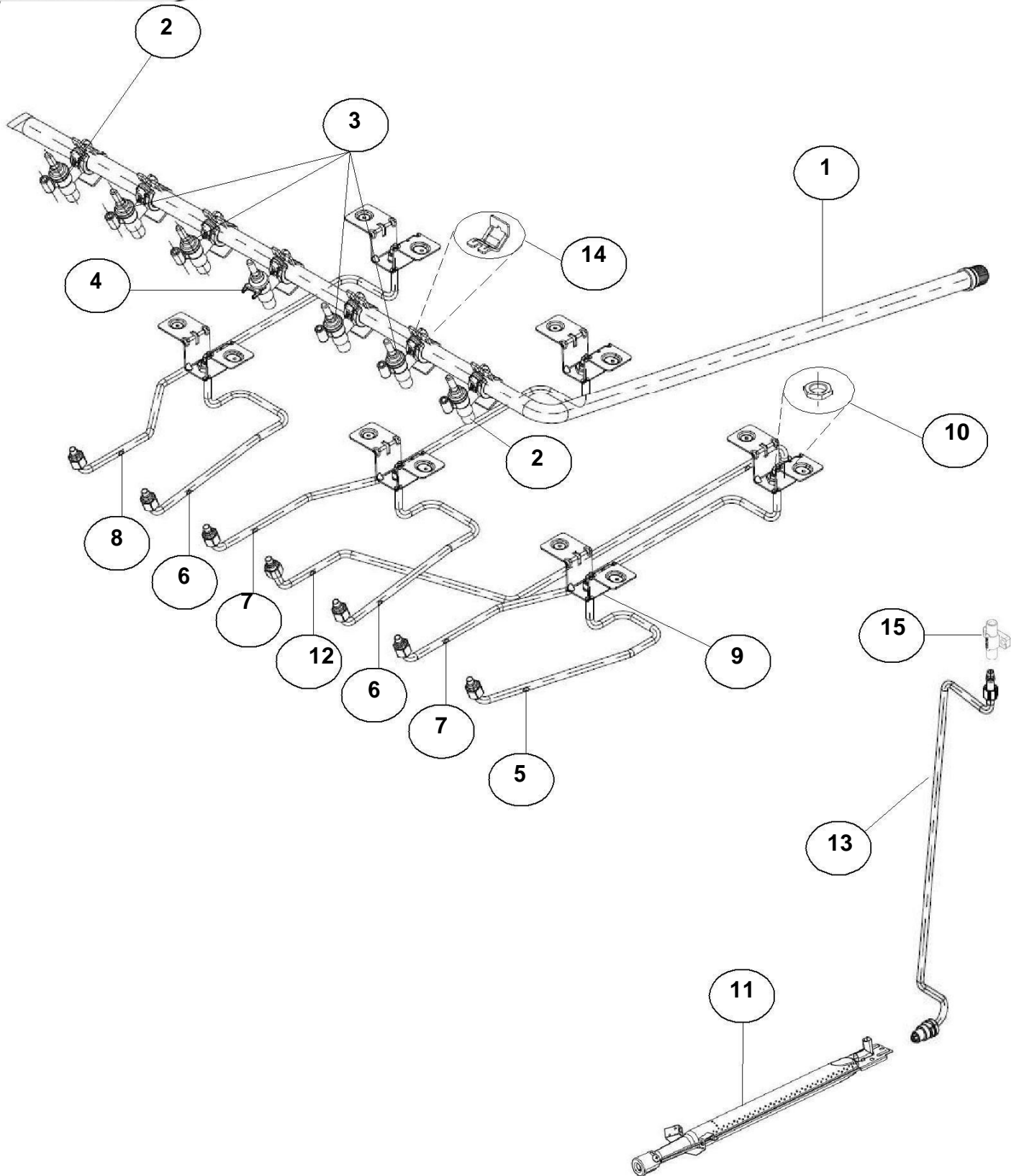




ESTUFA WF5955S00

<u>No. Ilus.</u>	<u>DESCRIPCIÓN</u>	<u>Cant.</u>	<u>No. de Parte</u>
1	FRONT FRAME	1	W10448073
2	SIDE PANEL - MIDNIGHT GREY	2	W10354874
3	BROIL BACK COVER	1	W10515063
4	C - BRACKET	2	W10358263
5	CORNER BRACKET RH	1	W10364813
6	CORNER BRACKET LF	1	W10446940
7	FRONT BRACKET OVEN BURNER	1	W10475852
8	COUNTER SUPPORT	2	W10327222
9	OVEN DOOR SEAL	1	W10759584
10	BASE CORNER FRONT	2	W10596641
11	BASE RAIL	2	W10446524
12	CROSS SUPPORT - 30"	2	W10327223
13	FRONT VERTICAL PILLAR F/S	2	W10354862
14	OVEN INSULATION WRAPPER 30"	1	W10364807
15	ALUMINUM FOIL ULTRA	1	*****
16	OVEN RACK	1	W10550642
17	OVEN BOTTOM 30"	1	W10448075
18	FLUE BOX ASM	1	W10742507
19	BRACKET OVENBURNER	1	W10381594

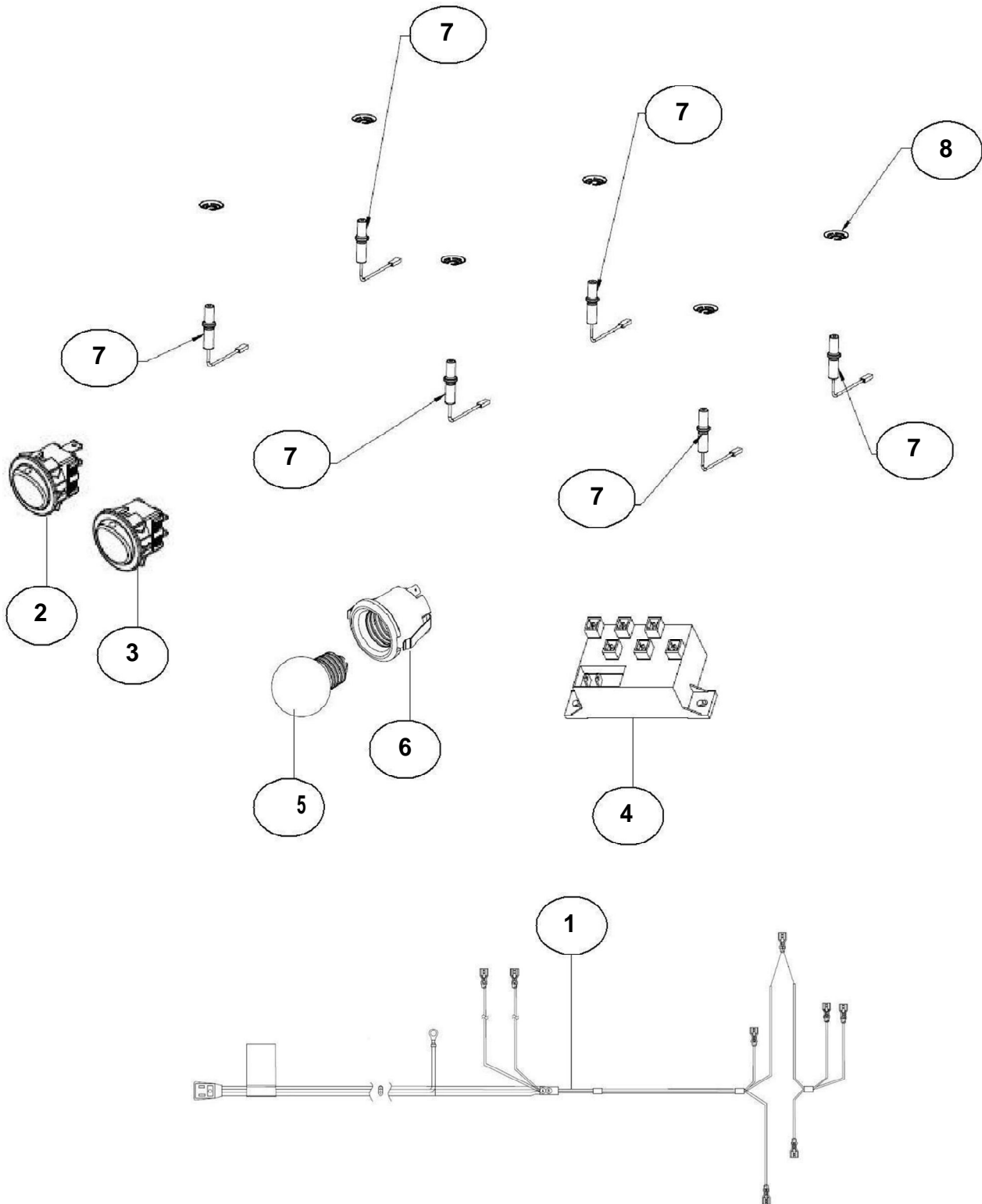
ESTUFA WF5955S00



ESTUFA WF5955S00

No. Ilus.	DESCRIPCIÓN	Cant.	No. de Parte
1	MANIFOLD TUBE	1	W10381640
2	VALVE SURF ZAMAK TUB.SUP	2	W10452660
3	VALVE SURF ZAMAK TUB.STD	4	W10452673
4	VALVE THERMOC. 5 POS.	1	W10452676
5	FRONT TUBING ASM - SUP	1	W10494190
6	FRONT TUBING ASM - STD	2	W10494191
7	REAR TUBING ASM - STD	2	W10494192
8	REAR TUBING ASM - SUP	1	W10494193
9	BRACKET - SURFACE BURNER	6	W10354300
10	NUT BRACKET TUBING	6	98017323
11	OVEN BURNER	1	W10646982
12	OVEN TUBING - UPPER THERMOCONTROL	1	W10647686
13	TUBING ASSY BOTTOM - OVEN	1	*****
14	SADDLE CONNECTION	7	W10075697
15	OVEN TUBING CONNECTOR	1	*****
**	MANIFOLD TUBE ASSY	**	W10381628
**	KIT CONV NG	**	W10513462
**	KIT CONV LP	**	W10513460

ESTUFA WF5955S00



Distribuidor Autorizado

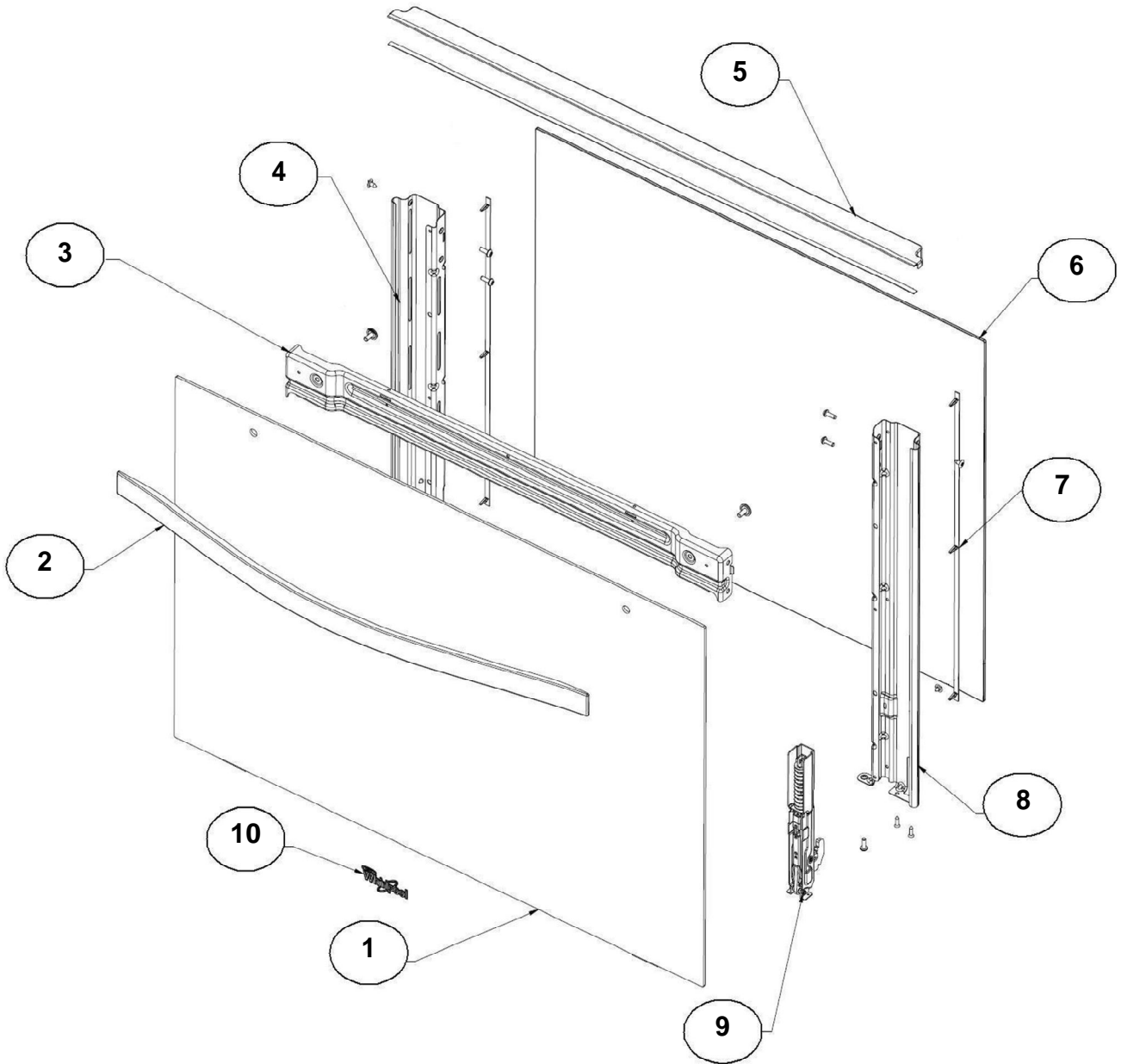
SurteRápido.com

Venta de Refacciones
Electrodomesticas

ESTUFA WF5955S00

<u>No.</u> <u>Ilus.</u>	<u>DESCRIPCIÓN</u>	<u>Cant.</u>	<u>No. de Parte</u>
1	MAIN HARNESS F & F	1	W10381597
2	OVEN LIGHT SWITCH - SH GRY	1	W10568374
3	IGNITION SWITCH SH GRAY	1	W10568375
4	SPARK MODULE 6 POS.	1	W10455035
5	OVEN BULB	1	W10452019
6	SOCKET - OVEN LIGHT	1	W10554269
7	TOP ELECTRODE 740	1	W10391624
	TOP ELECTRODE 650	2	W10391625
	TOP ELECTRODE 500	1	W10381604
	TOP ELECTRODE 350	2	W10381605
8	CLIP IGNITOR -TOP BURNER	6	W10654842

ESTUFA WF5955S00



Distribuidor Autorizado

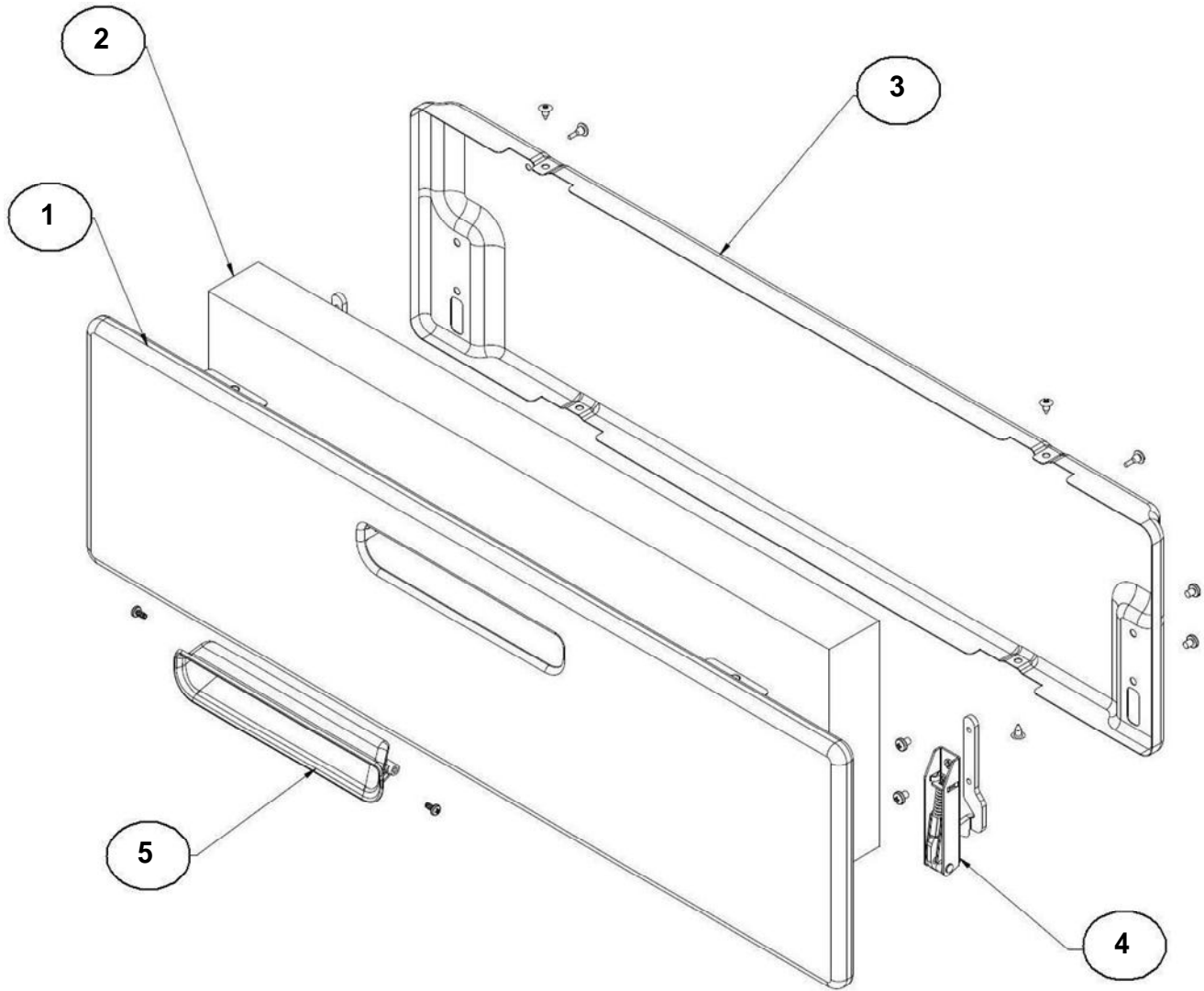
SurteRápido.com

Venta de Refacciones
Electrodomesticas

ESTUFA WF5955S00

No. Ilus.	DESCRIPCION	Cant.	No. de Parte
1	OUTER GLASS - FS, OVEN DOOR	1	W10737805
2	OVEN DOOR HANDLE	1	W10397442
3	OVEN DOOR CROSS SUPPORT	1	W10387343
4	OVEN DOOR PILLAR LEFT	1	W10445015
5	UPPER TRIM - OVEN DOOR	1	W10544145
6	INNER GLASS - OVEN DOOR	1	W10372163
7	INNER GLASS SEAL	2	W10292266
8	OVEN DOOR PILLAR RIGHT	1	W10445013
9	OVEN DOOR HINGE	2	W10420753
10	BADGE-WHIRLPOOL CENTENNIAL	1	W10481433
**	OVEN DOOR - UNIVERSAL S. L.	**	W10737678

ESTUFA WF5955S00





ESTUFA WF5955S00

No. Ilus.	DESCRIPCIÓN	Cant.	No. de Parte
1	OUTER BROILER DOOR - STAINLESS STEEL	1	W10482110
2	INSULATION - BROILER DOOR 30"	1	*****
3	30" INNER BROILER DOOR	1	W10446851
4	BROILER DOOR HINGE	2	W10625517
5	HANDLE - BROILER DOOR, SHADOW GRAY	1	W10495568
**	BROILER DOOR ASM - SS	**	W10493745

KIT DE CONVERSION GAS NATURAL:	W10513462	
Componentes a solicitar:	W10132112 (4)	ORIFICE STD BURNER
	W10118331 (2)	ORIFICE SUPER BURNER
	W10539375 (1)	ORIFICE OVEN BURNER
	W10452674 (2)	VALVE FOR SUPER BURNER
	W10452677 (1)	THERMOCONTROL