

**Whirlpool**  
CORPORATION

CENTRO DE SOLUCIONES



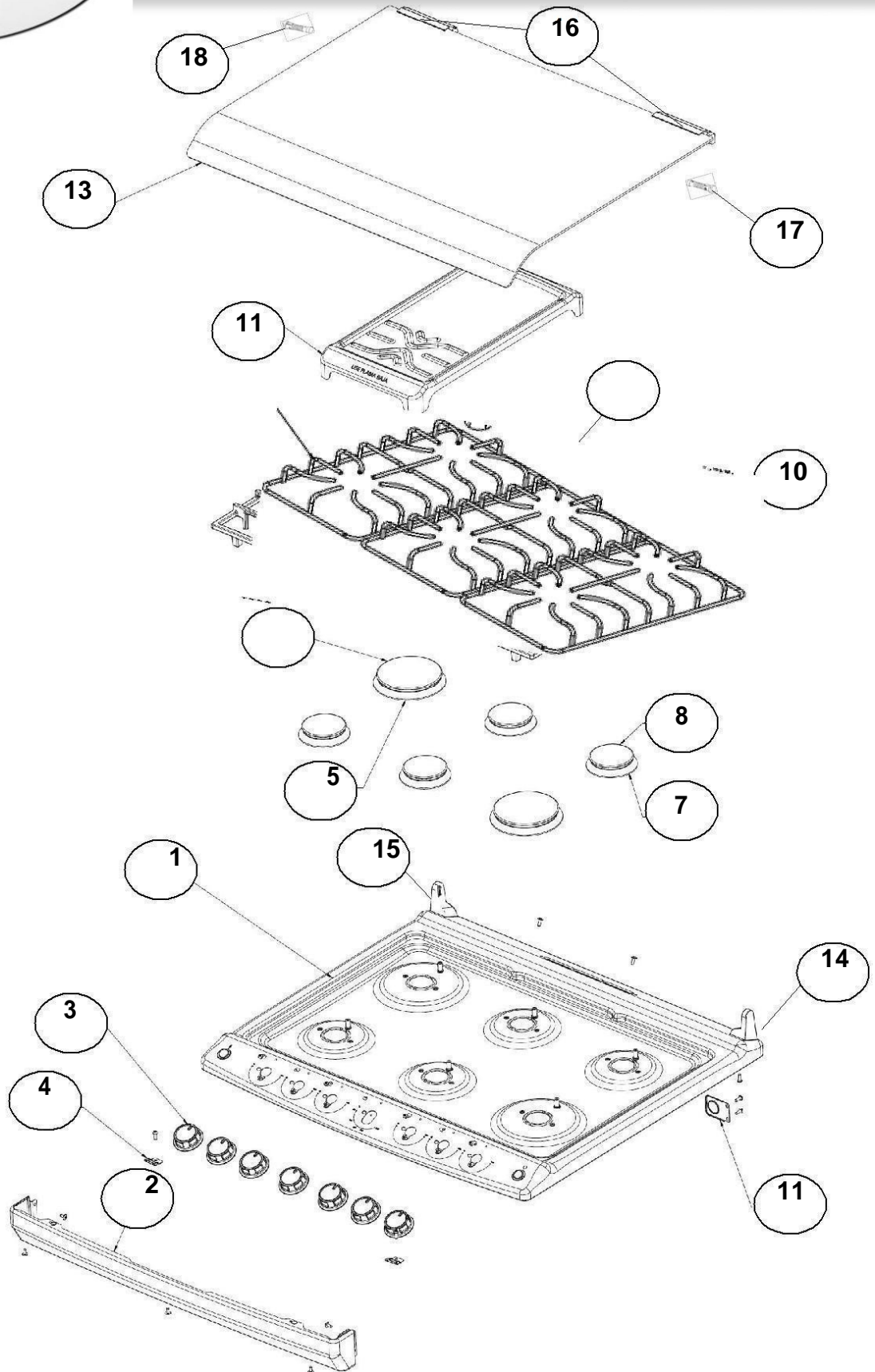
**LO ORIGINAL MARCA DIFERENCIA**

**EXPLOSIONADO DE PARTES**

— ESTUFA NACIONAL —

**MODELO | WF5960S0**

# ESTUFA WF5960S00



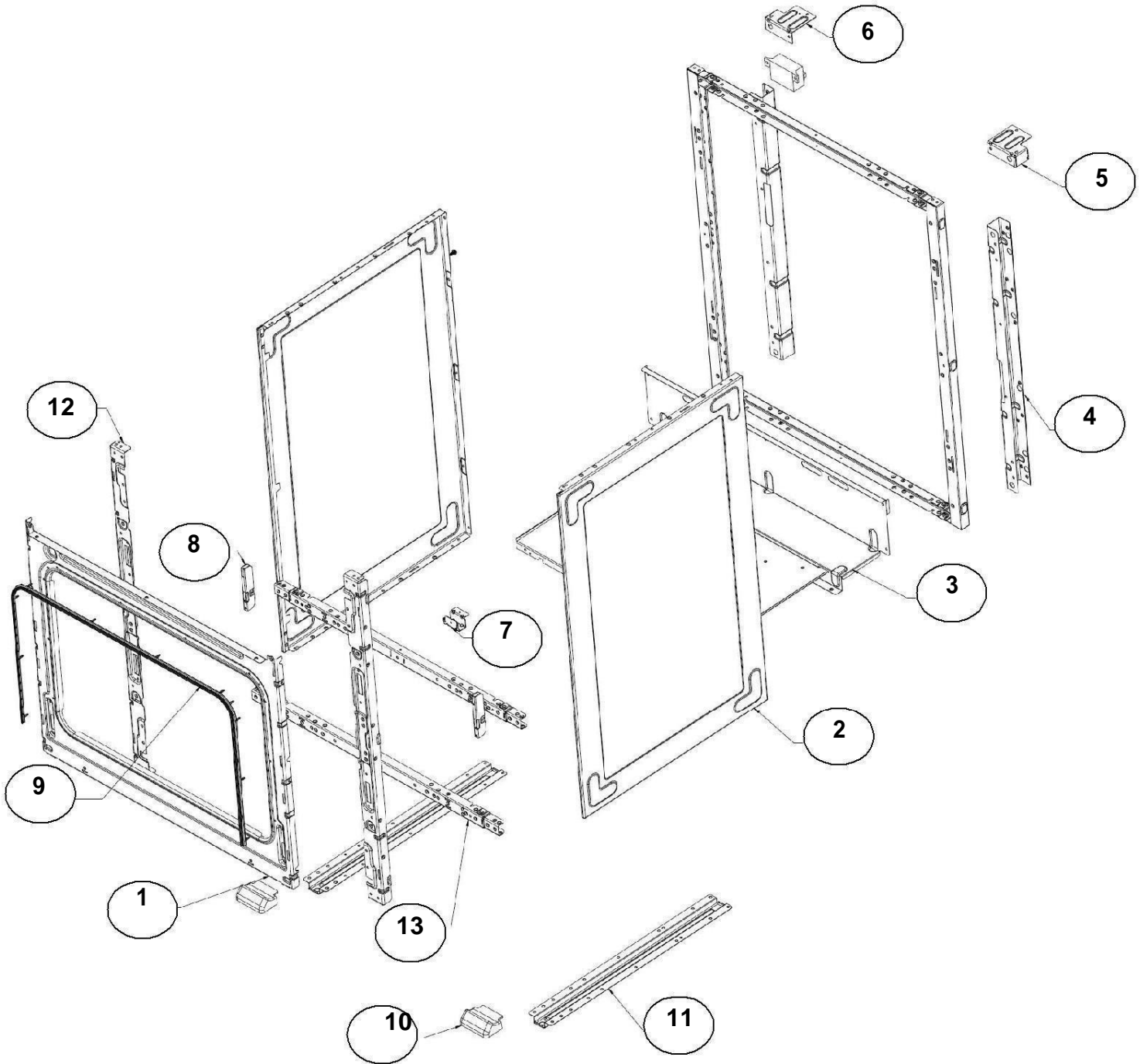


# ESTUFA WF5960S00

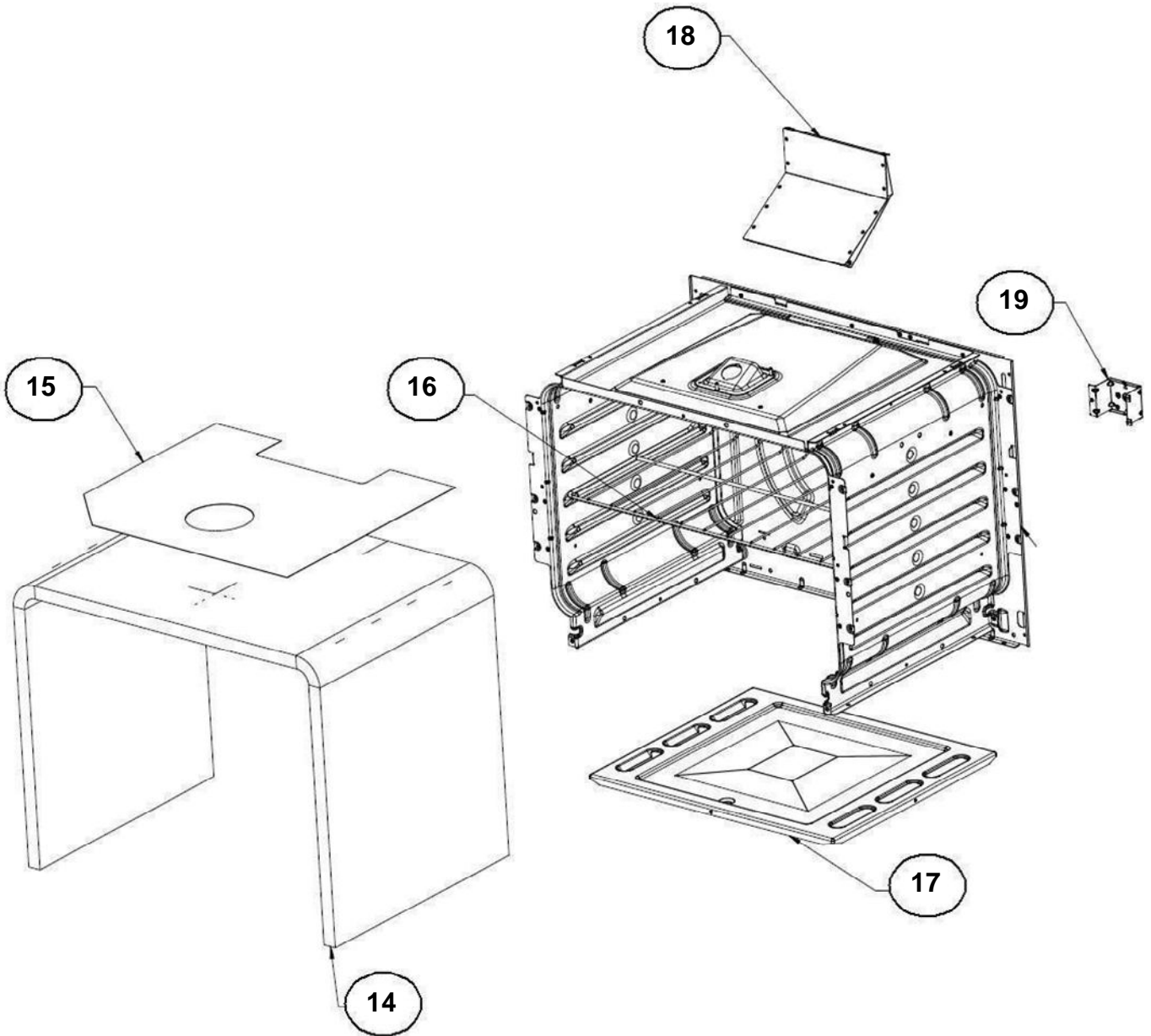
**Color:** Acero Inoxidable **Capacidad:** 30"

| No.       | DESCRIPCIÓN                     | Cant. | No. de Parte |
|-----------|---------------------------------|-------|--------------|
| <b>1</b>  | COOKTOP                         | 1     | W10497396    |
| <b>2</b>  | FRONT PANEL EXTENTION SS        | 1     | W10604155    |
| <b>3</b>  | FRONT CLIP COOKTOP              | 2     | W10620563    |
| <b>4</b>  | SINGLE KNOB GRAY                | 7     | W10699982    |
| <b>5</b>  | STD BURNER                      | 4     | W10354371    |
| <b>6</b>  | STD CAP BURNER                  | 4     | W10354292    |
| <b>7</b>  | SUPER BURNER                    | 2     | W10356319    |
| <b>8</b>  | SUPER BURNER CAP                | 2     | W10354293    |
| <b>9</b>  | GRATE CENTRAL CAST IRON         | 1     | W10469928    |
| <b>10</b> | GRATE LATERAL CAST IRON         | 2     | W10469929    |
| <b>11</b> | GRIDDLE STAMPED-ENAMEL          | 1     | W10387432    |
| <b>12</b> | BRACKET MANIFOLD TUBE           | 1     | W10381587    |
| <b>13</b> | GLASS LID ASSY                  | 1     | W10625931    |
| <b>14</b> | BRACKET - LS, GLASS LID - BLACK | 1     | W10546253    |
| <b>15</b> | BRACKET - RS, GLASS LID - BLACK | 1     | W10546251    |
| <b>16</b> | TRIM - GLASS LID, SHORT         | 2     | W10477615    |
| <b>17</b> | R.H. HINGE GLASS LID            | 1     | W10206666    |
| <b>18</b> | L.H. HINGE GLASS LID            | 1     | W10206667    |
| <b>**</b> | BUMPER GLASS LID                | 2     | *****        |

# ESTUFA WF5960S00



# ESTUFA WF5960S00

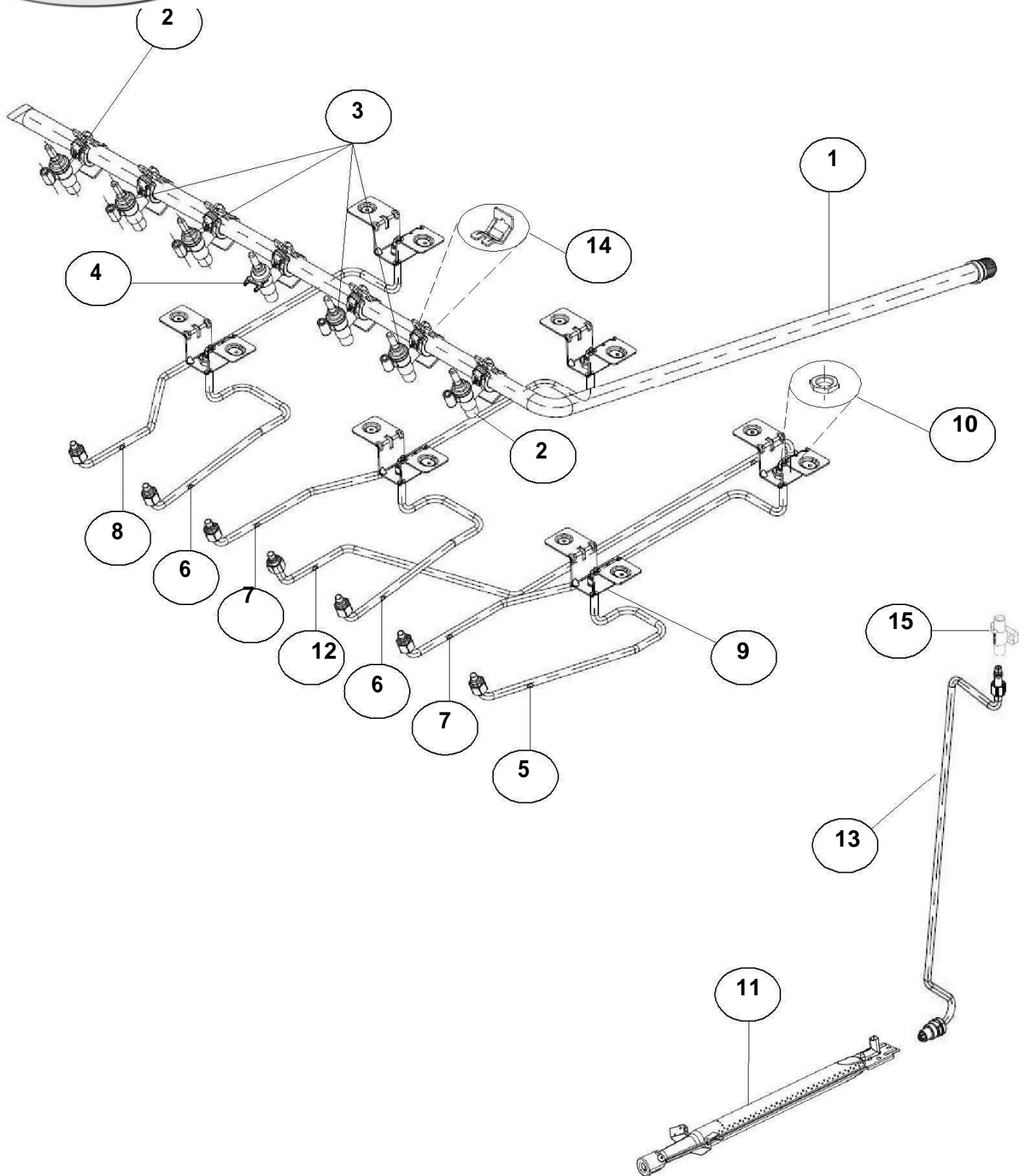




# ESTUFA WF5960S00

| <u>No. Ilus.</u> | <u>DESCRIPCIÓN</u>          | <u>Cant.</u> | <u>No. de Parte</u> |
|------------------|-----------------------------|--------------|---------------------|
| 1                | FRONT FRAME                 | 1            | W10448073           |
| 2                | SIDE PANEL - MIDNIGHT GREY  | 2            | W10869201           |
| 3                | BROIL BACK COVER            | 1            | W10515063           |
| 4                | C - BRACKET                 | 2            | W10358263           |
| 5                | CORNER BRACKET RH           | 1            | W10364813           |
| 6                | CORNER BRACKET LF           | 1            | W10446940           |
| 7                | FRONT BRACKET OVEN BURNER   | 1            | W10475852           |
| 8                | COUNTER SUPPORT             | 2            | W10327222           |
| 9                | OVEN DOOR SEAL              | 1            | W10759584           |
| 10               | BASE CORNER FRONT           | 2            | W10596641           |
| 11               | BASE RAIL                   | 2            | W10446524           |
| 12               | CROSS SUPPORT - 30"         | 2            | W10327223           |
| 13               | FRONT VERTICAL PILLAR F/S   | 2            | W10354862           |
| 14               | OVEN INSULATION WRAPPER 30" | 1            | W10364807           |
| 15               | ALUMINUM FOIL ULTRA         | 1            | *****               |
| 16               | OVEN RACK                   | 1            | W10550642           |
| 17               | OVEN BOTTOM 30"             | 1            | W10764694           |
| 18               | FLUE BOX ASM                | 1            | W10742507           |
| 19               | BRACKET OVENBURNER          | 1            | W10381594           |

# ESTUFA WF5960S00

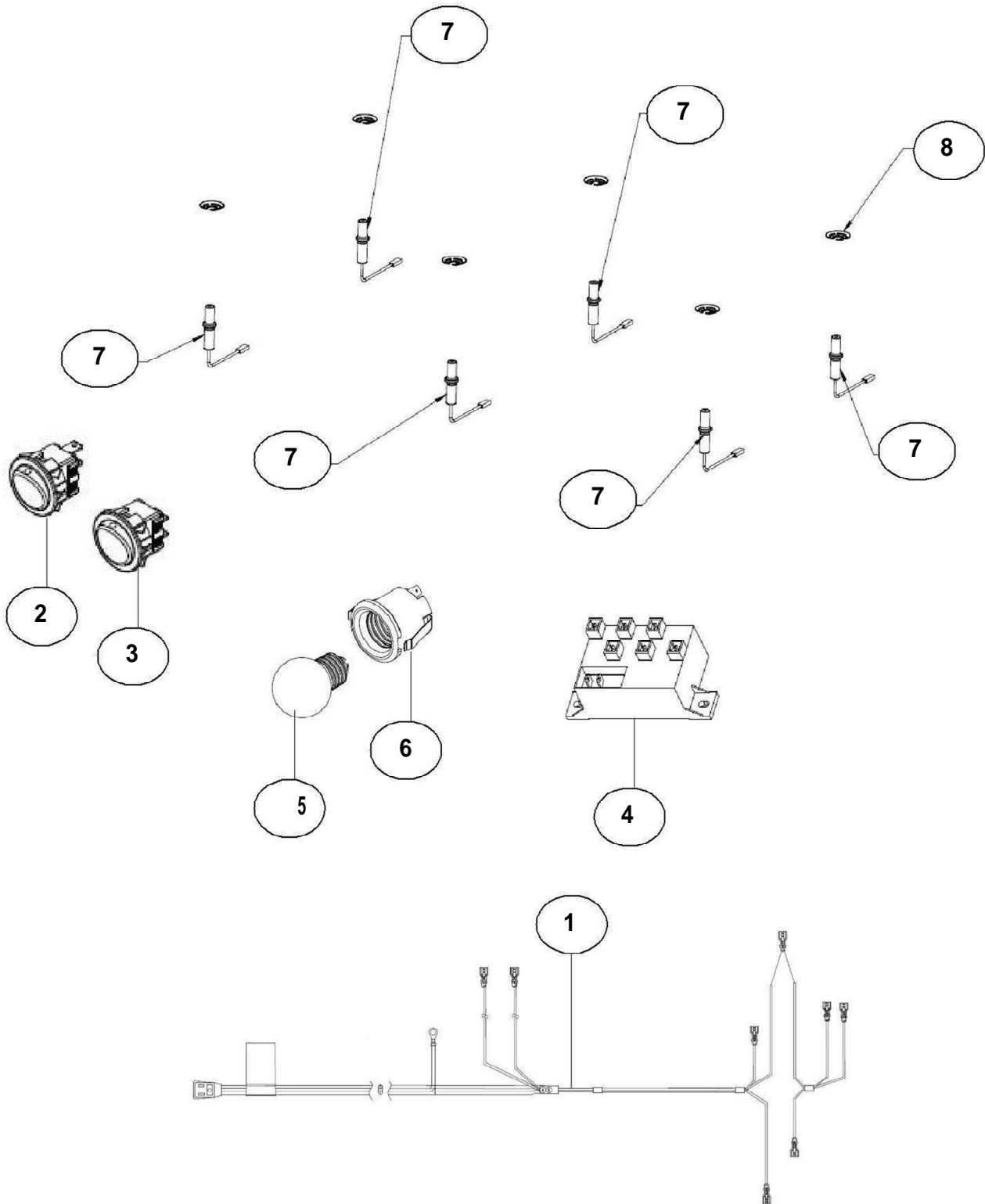


# ESTUFA WF5960S00

| No. Ilus. | DESCRIPCIÓN                       | Cant. | No. de Parte |
|-----------|-----------------------------------|-------|--------------|
| 1         | MANIFOLD TUBE                     | 1     | W10381640    |
| 2         | VALVE SURF ZAMAK TUB.SUP          | 2     | W10452660    |
| 3         | VALVE SURF ZAMAK TUB.STD          | 4     | W10452673    |
| 4         | VALVE THERMOC. 5 POS.             | 1     | W10452676    |
| 5         | FRONT TUBING ASM - SUP            | 1     | W10494190    |
| 6         | FRONT TUBING ASM - STD            | 2     | W10494191    |
| 7         | REAR TUBING ASM - STD             | 2     | W10494192    |
| 8         | REAR TUBING ASM - SUP             | 1     | W10494193    |
| 9         | BRACKET - SURFACE BURNER          | 6     | W10354300    |
| 10        | NUT BRACKET TUBING                | 6     | 98017323     |
| 11        | OVEN BURNER                       | 1     | W10646982    |
| 12        | OVEN TUBING - UPPER THERMOCONTROL | 1     | W10647686    |
| 13        | TUBING ASSY BOTTOM - OVEN         | 1     | *****        |
| 14        | SADDLE CONNECTION                 | 7     | W10075697    |
| 15        | OVEN TUBING CONNECTOR             | 1     | *****        |
| **        | MANIFOLD TUBE ASSY                | **    | W10381628    |
| **        | KIT CONV NG                       | **    | W10513462    |
| **        | KIT CONV LP                       | **    | W10513460    |



# ESTUFA WF5960S00

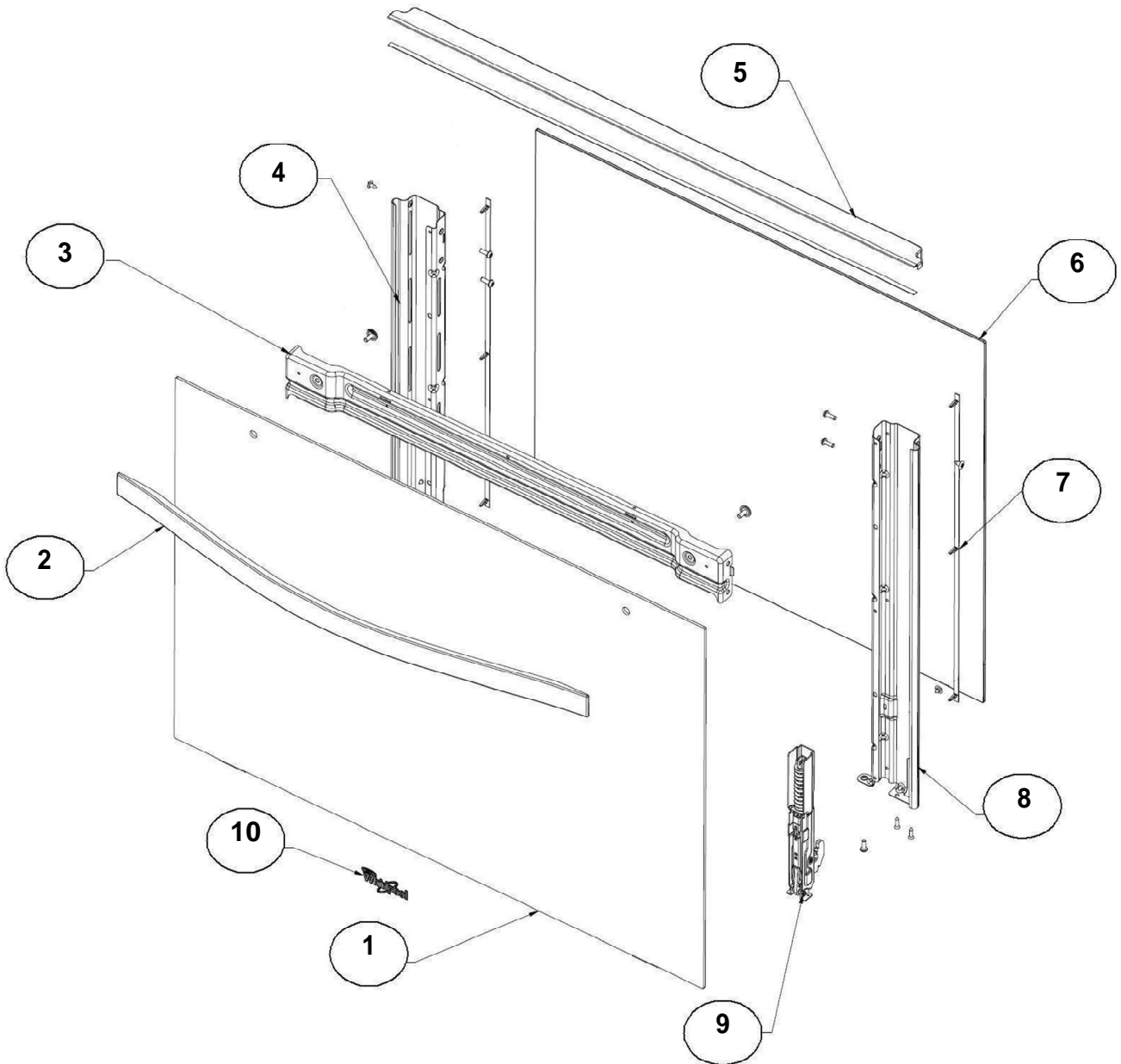




# ESTUFA WF5960S00

| <u>No. Ilus.</u> | <u>DESCRIPCIÓN</u>         | <u>Cant.</u> | <u>No. de Parte</u> |
|------------------|----------------------------|--------------|---------------------|
| 1                | MAIN HARNESS F & F         | 1            | W10754434           |
| 2                | OVEN LIGHT SWITCH - SH GRY | 1            | W10568374           |
| 3                | IGNITION SWITCH SH GRAY    | 1            | W10568375           |
| 4                | SPARK MODULE 6 POS.        | 1            | W10455035           |
| 5                | OVEN BULB                  | 1            | W10788320           |
| 6                | SOCKET - OVEN LIGHT        | 1            | W10554269           |
|                  | TOP ELECTRODE 740          | 1            | W10391624           |
| 7                | TOP ELECTRODE 650          | 2            | W10391625           |
|                  | TOP ELECTRODE 500          | 1            | W10381604           |
|                  | TOP ELECTRODE 350          | 2            | W10381605           |
| 8                | CLIP IGNITOR -TOP BURNER   | 6            | W10654842           |

# ESTUFA WF5960S00



Distribuidor Autorizado

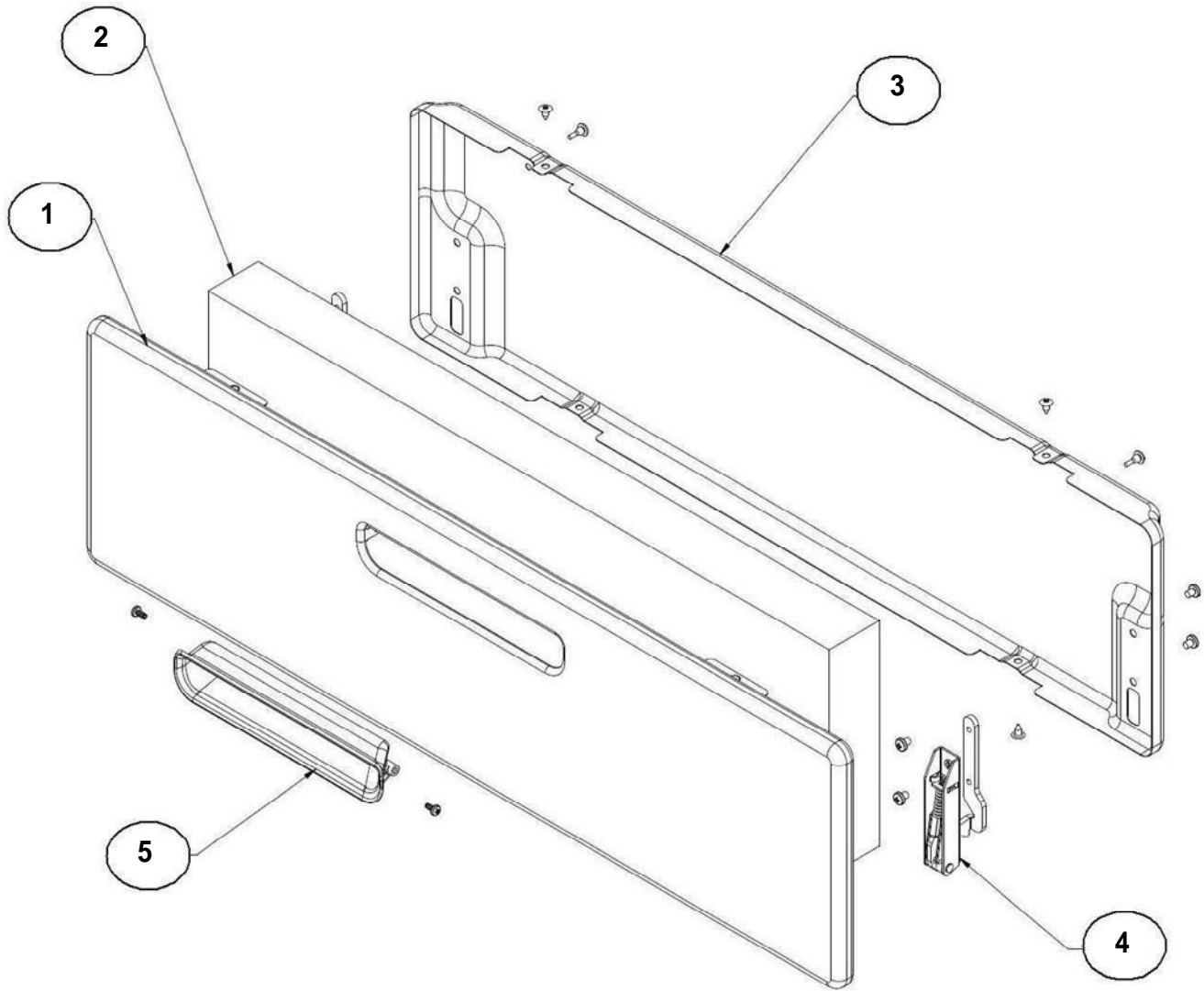
**SurteRápido.com**

Venta de Refacciones  
Electrodomesticas

# ESTUFA WF5960S00

| No.<br>Ilus. | DESCRIPCION                 | Cant. | No. de Parte |
|--------------|-----------------------------|-------|--------------|
| 1            | OUTER GLASS - FS, OVEN DOOR | 1     | W10364176    |
| 2            | OVEN DOOR HANDLE            | 1     | W10831891    |
| 3            | OVEN DOOR CROSS SUPPORT     | 1     | W10387343    |
| 4            | OVEN DOOR PILLAR LEFT       | 1     | W10445015    |
| 5            | UPPER TRIM - OVEN DOOR      | 1     | W10544145    |
| 6            | INNER GLASS - OVEN DOOR     | 1     | W10372163    |
| 7            | INNER GLASS SEAL            | 2     | W10292266    |
| 8            | OVEN DOOR PILLAR RIGHT      | 1     | W10445013    |
| 9            | OVEN DOOR HINGE             | 2     | W10420753    |
| 10           | BADGE-WHIRLPOOL CENTENNIAL  | 1     | W10481433    |
| **           | OVEN DOOR - UNIVERSAL S. L. | **    | W10493701    |

# ESTUFA WF5960S00





# ESTUFA WF5960S00

| No. Ilus. | DESCRIPCIÓN                          | Cant. | No. de Parte |
|-----------|--------------------------------------|-------|--------------|
| 1         | OUTER BROILER DOOR - STAINLESS STEEL | 1     | W10482110    |
| 2         | INSULATION - BROILER DOOR 30"        | 1     | *****        |
| 3         | 30" INNER BROILER DOOR               | 1     | W10446851    |
| 4         | BROILER DOOR HINGE                   | 2     | W10625517    |
| 5         | HANDLE - BROILER DOOR, SHADOW GRAY   | 1     | W10495568    |
| **        | BROILER DOOR ASM - SS                | **    | W10493745    |

|                                |                  |                        |
|--------------------------------|------------------|------------------------|
| KIT DE CONVERSION GAS NATURAL: | <b>W10513462</b> |                        |
| Componentes a solicitar:       | W10132112 (4)    | ORIFICE STD BURNER     |
|                                | W10118331 (2)    | ORIFICE SUPER BURNER   |
|                                | W10539375 (1)    | ORIFICE OVEN BURNER    |
|                                | W10452674 (2)    | VALVE FOR SUPER BURNER |
|                                | W10452677 (1)    | THERMOCONTROL          |